



US00D800485S

(12) **United States Design Patent** (10) **Patent No.:** **US D800,485 S**  
**Boni** (45) **Date of Patent:** **\*\* Oct. 24, 2017**

(54) **SHELF ELEMENT**  
(71) Applicant: **SARTORETTO VERNA S.r.l.**, Rome (IT)  
(72) Inventor: **Simone Boni**, Rome (IT)  
(73) Assignee: **Sartoretto Verna S.r.l.**, Rome (IT)  
(\*\*) Term: **15 Years**  
(21) Appl. No.: **29/533,709**  
(22) Filed: **Jul. 21, 2015**  
(51) **LOC (10) Cl.** ..... **06-06**  
(52) **U.S. Cl.**  
USPC ..... **D6/705**  
(58) **Field of Classification Search**  
USPC ..... D6/675, 675.1-675.3, 678, 678.1, 705, D6/705.1, 706  
CPC ..... A47B 96/00; A47B 53/00; A47B 96/02; A47B 55/00; A47F 3/00; A47F 3/06; A47F 5/00; A47F 5/0043  
See application file for complete search history.

(56) **References Cited**  
U.S. PATENT DOCUMENTS  
D269,754 S \* 7/1983 Kates ..... D6/675.1  
D391,101 S \* 2/1998 Robertson ..... D6/708

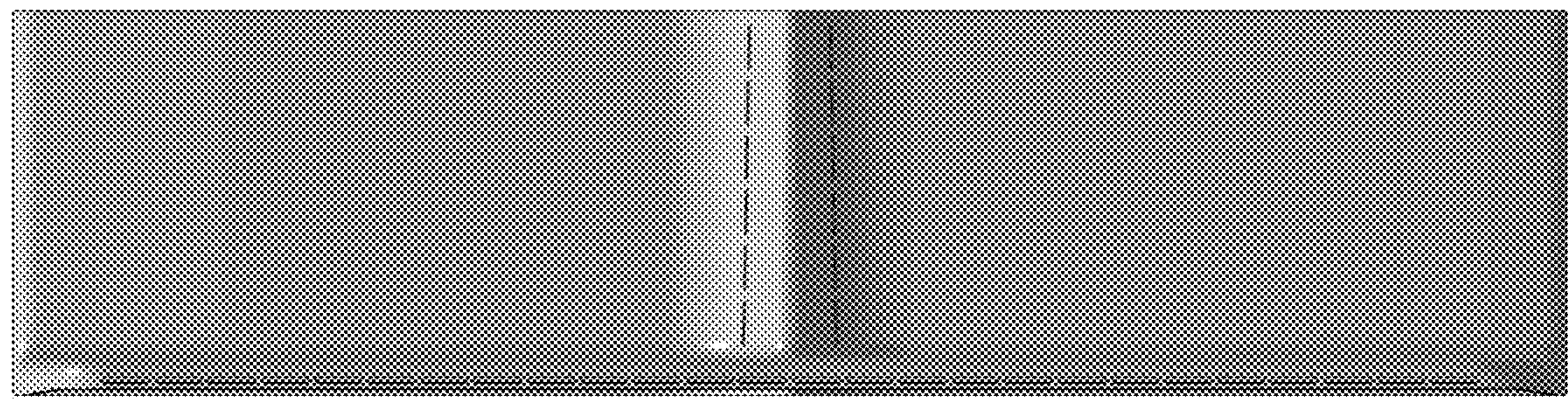
D427,457 S \* 7/2000 Heiny ..... D6/675  
D560,402 S \* 1/2008 Lev ..... D6/675.1  
D638,639 S \* 5/2011 Ma ..... D6/678.1  
D706,559 S \* 6/2014 Muller ..... D6/678.1  
D744,773 S \* 12/2015 Yoon ..... D6/678

\* cited by examiner  
*Primary Examiner* — Kelley Donnelly  
(74) *Attorney, Agent, or Firm* — Workman Nydegger

(57) **CLAIM**  
The ornamental design for shelf element, as shown and described.

**DESCRIPTION**  
FIG. 1 is an elevated front view of a shelf element in accordance with a first embodiment of the present invention; FIG. 2 is an elevated front-right perspective view thereof, with the front-left perspective view being a mirror image thereof; FIG. 3 is an elevated rear perspective view thereof; FIG. 4 is a top plan view thereof; and, FIG. 5 is a bottom plan view thereof. The broken lines included in the drawings show features that form no part of the claimed design.

**1 Claim, 5 Drawing Sheets**



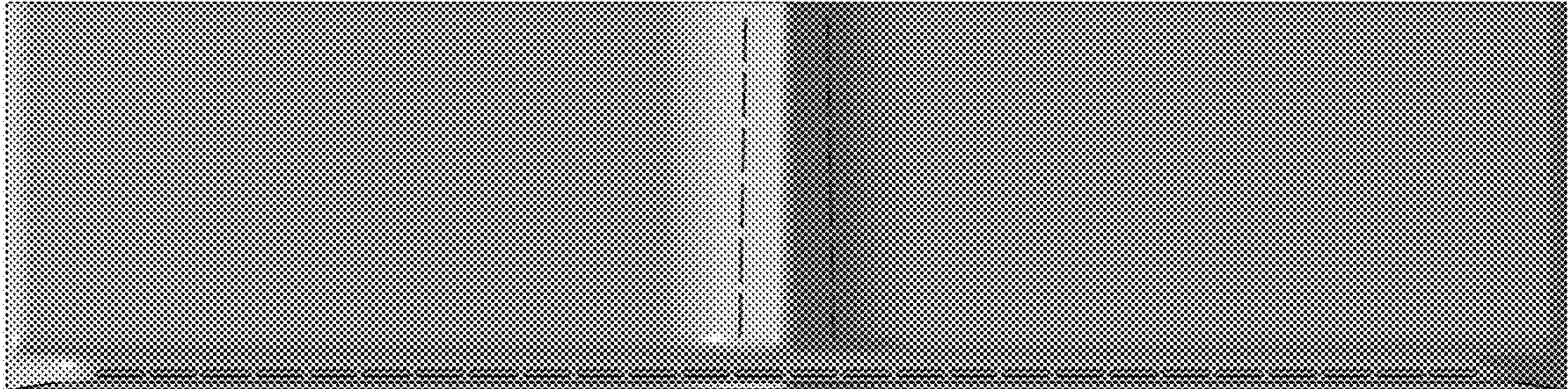


FIG. 1

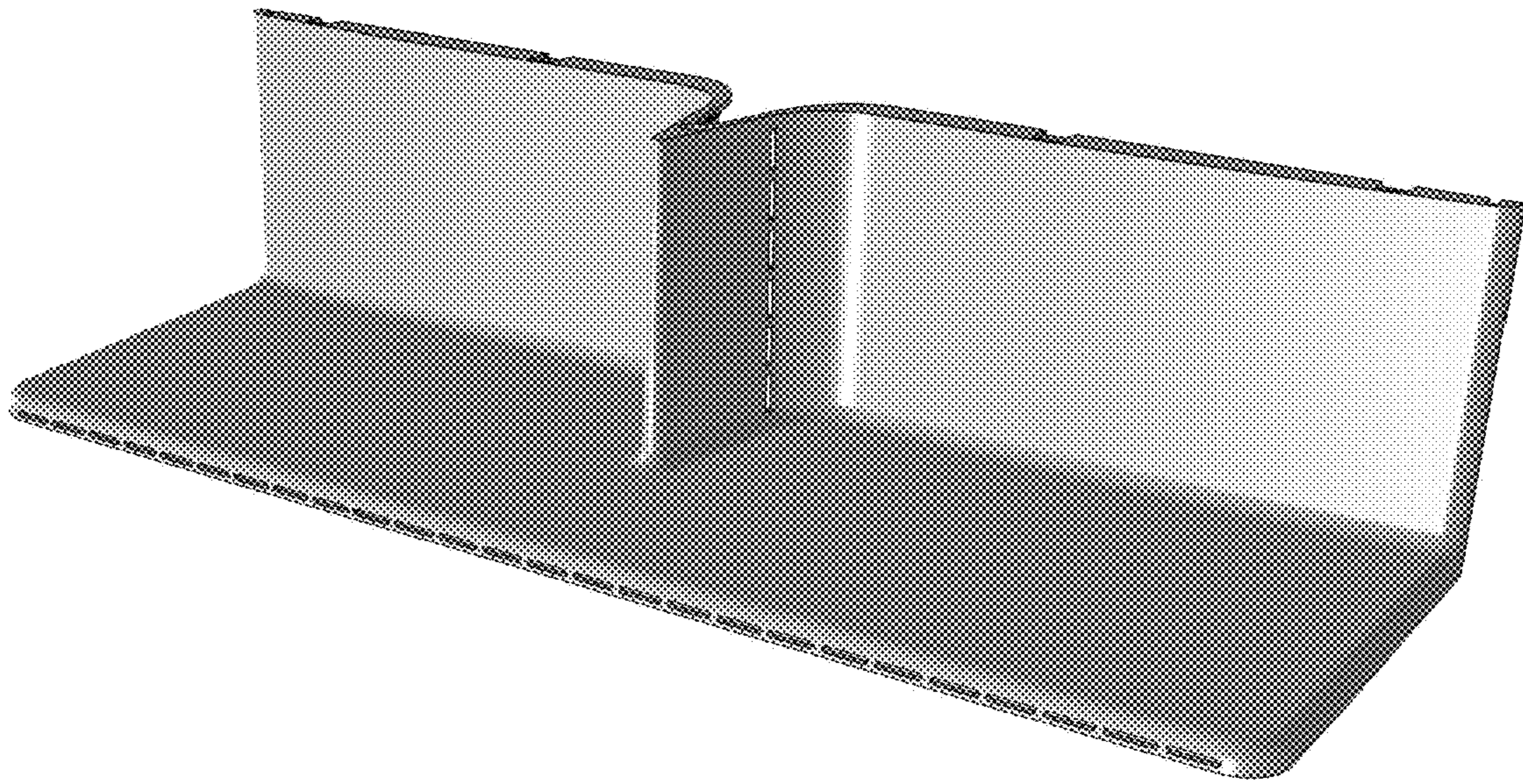


FIG. 2

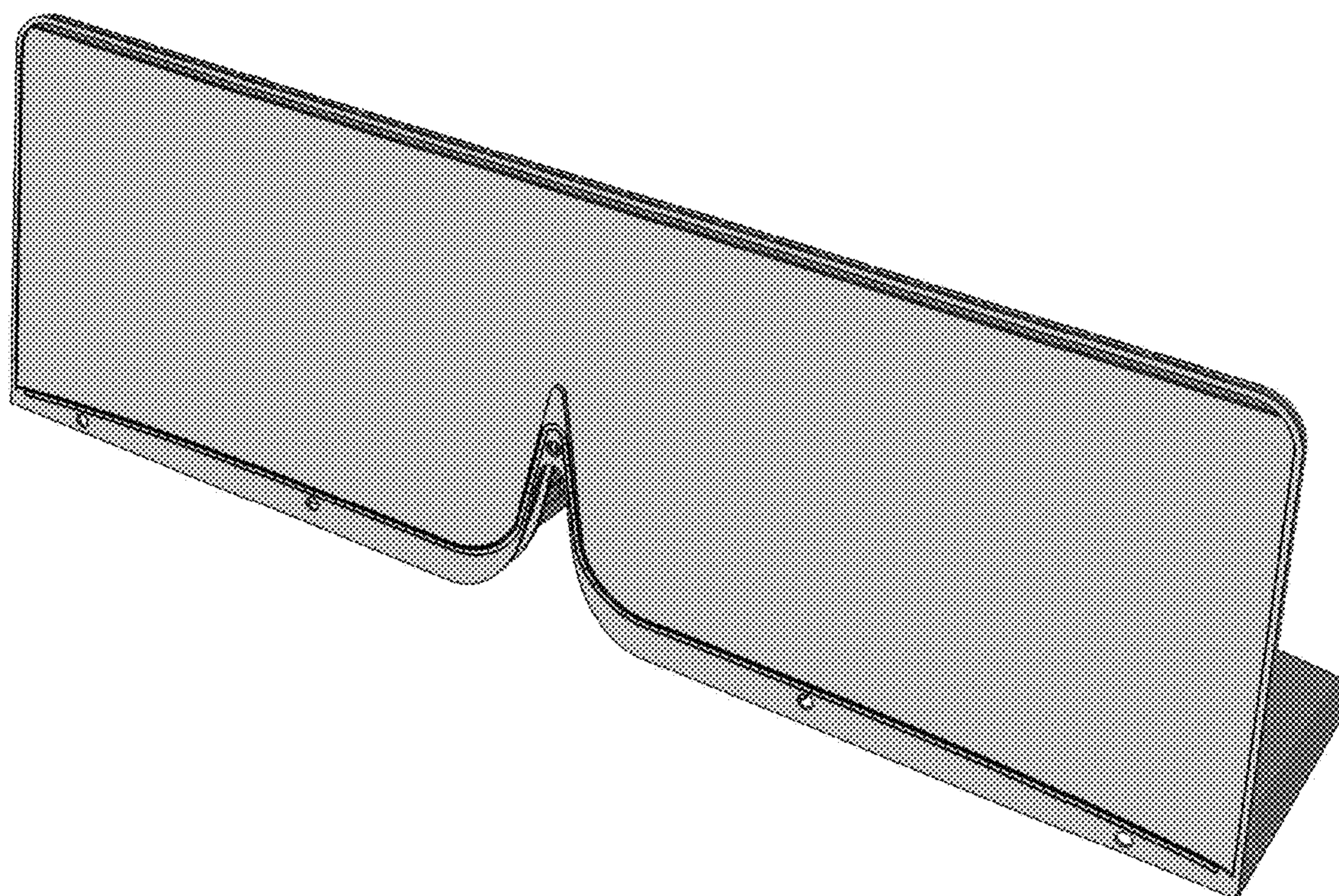


FIG. 3

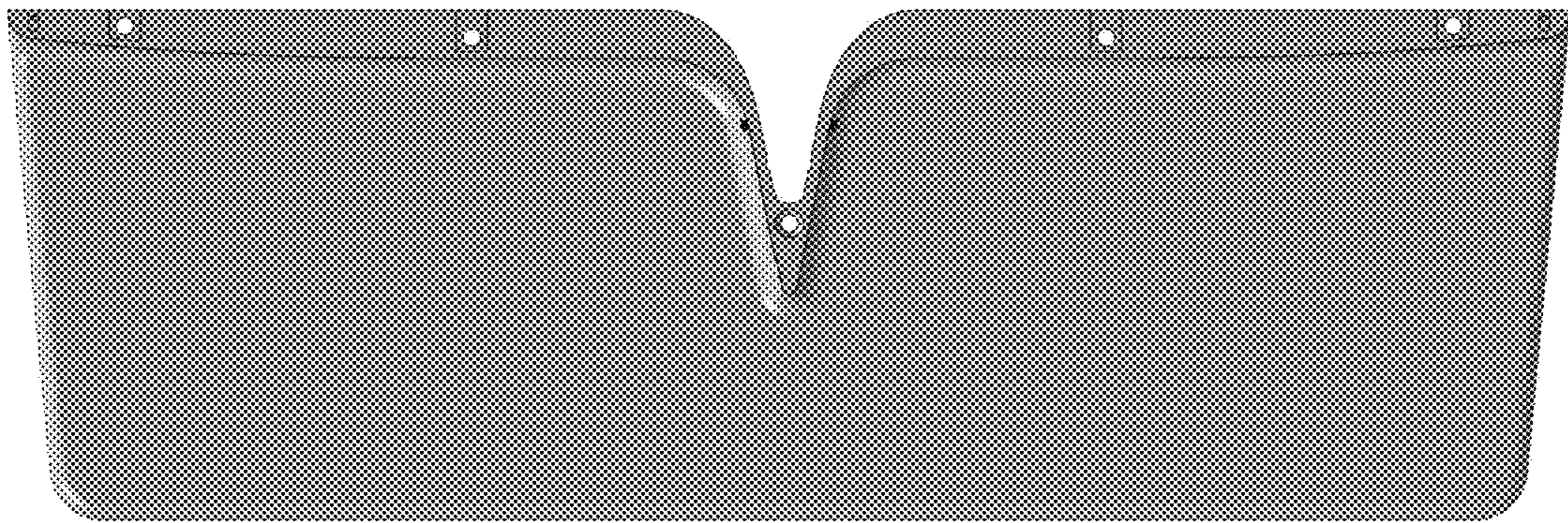


FIG. 4

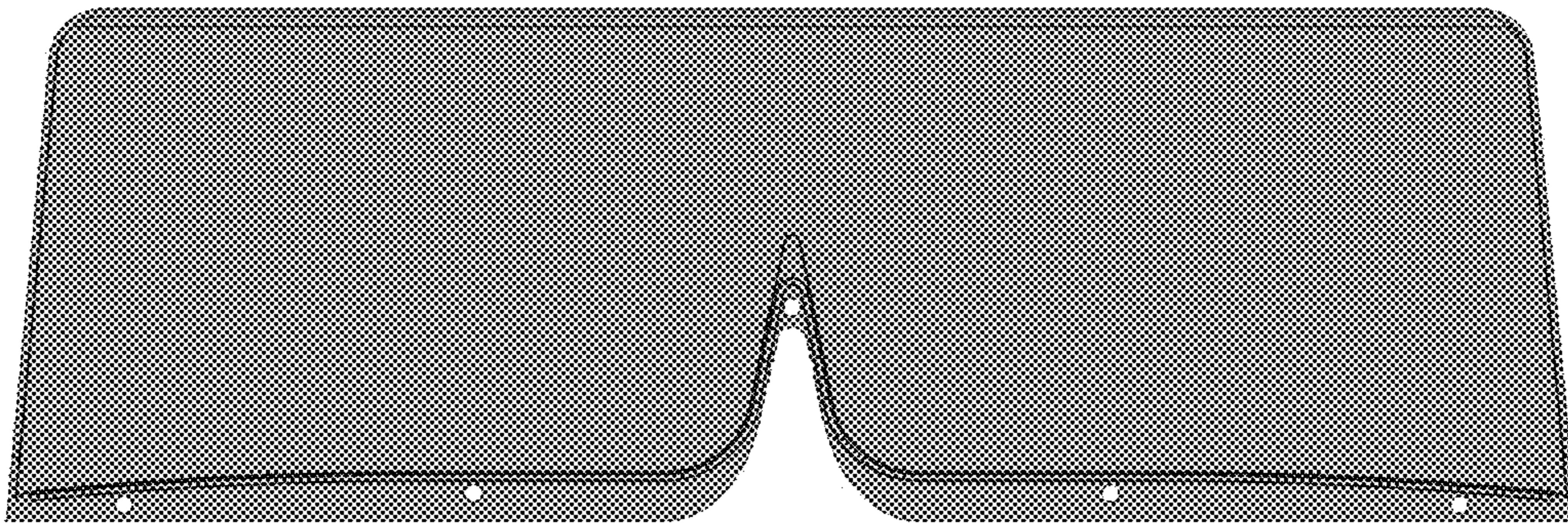


FIG. 5