



US00D800484S

(12) **United States Design Patent**
Pilat

(10) **Patent No.:** **US D800,484 S**

(45) **Date of Patent:** **** Oct. 24, 2017**

- (54) **OPTICAL EYEWEAR DISPLAY**
- (71) Applicant: **OVVO Optics**, Mahwah, NJ (US)
- (72) Inventor: **Artur Pilat**, Mahwah, NJ (US)
- (73) Assignee: **OVVO Optics**, Mahwah, NJ (US)
- (**) Term: **15 Years**
- (21) Appl. No.: **29/550,227**
- (22) Filed: **Dec. 31, 2015**
- (51) **LOC (10) Cl.** **06-06**
- (52) **U.S. Cl.**
USPC **D6/682.6**
- (58) **Field of Classification Search**
USPC D6/672, 673, 675, 678, 682, 682.1,
D6/682.2, 682.3, 682.6
CPC A47B 53/00; A47B 57/30; A47F 5/0006;
A47F 7/00; A47F 7/02; A47F 7/021;
A47F 11/00; A47F 3/00
See application file for complete search history.

- D573,809 S * 7/2008 Levy D6/682.6
- D586,582 S * 2/2009 Alexander D6/675.4
- D635,377 S * 4/2011 Rodgers D6/675.3
- D689,715 S * 9/2013 Wong D6/675.1

* cited by examiner

Primary Examiner — Kelley Donnelly

(74) *Attorney, Agent, or Firm* — Spruce Law Group, LLC

(57) **CLAIM**

The ornamental design for an optical eyewear display, as shown and described.

DESCRIPTION

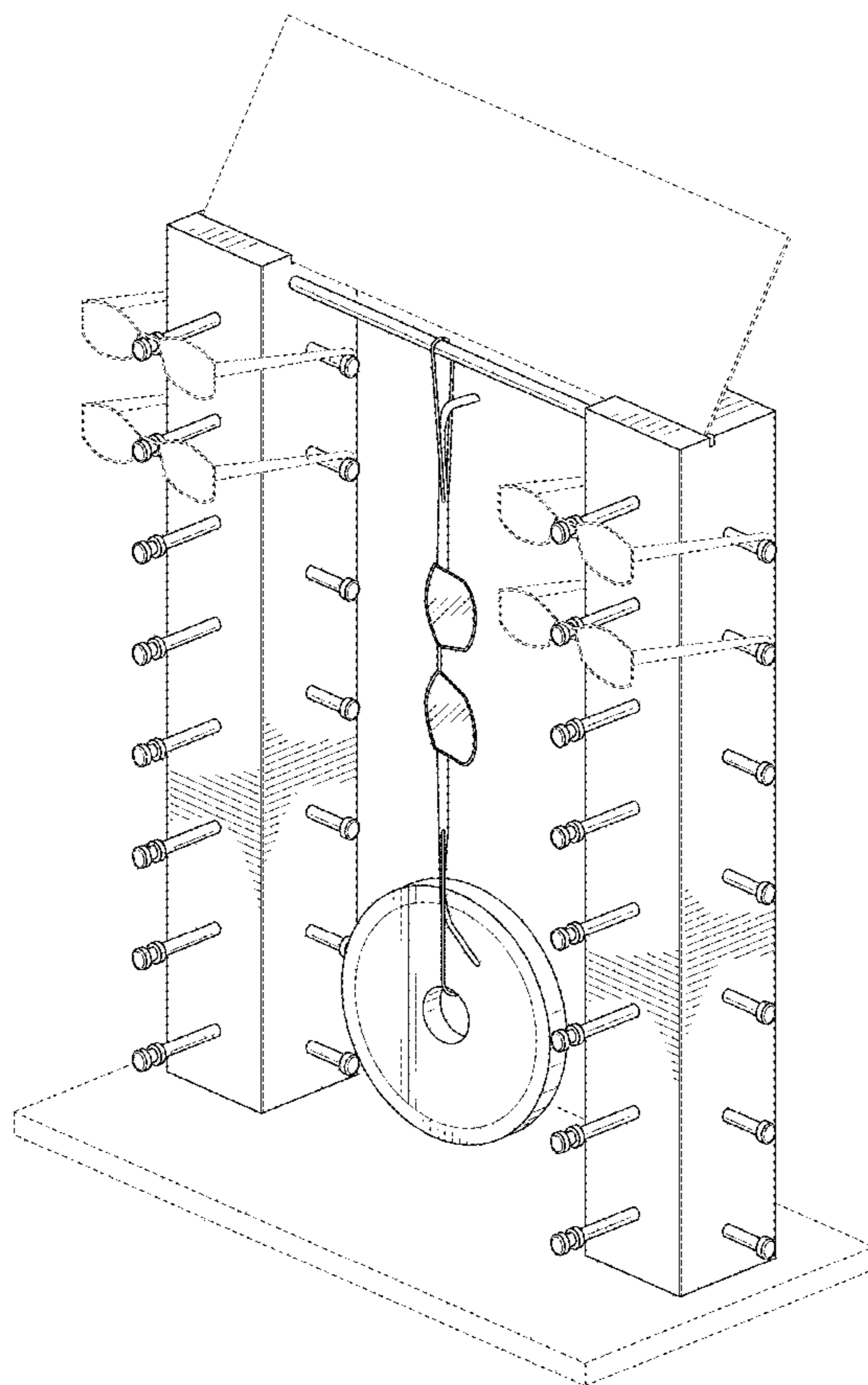
FIG. 1 is a front perspective view of an optical eyewear display;
 FIG. 2 is a front view of the optical eyewear display shown in FIG. 1,
 FIG. 3 is a rear view of the optical eyewear display shown in FIG. 1,
 FIG. 4 is a left side view of the optical eyewear display shown in FIG. 1,
 FIG. 5 is a right side view of the optical eyewear display shown in FIG. 1,
 FIG. 6 is a top view of the optical eyewear display shown in FIG. 1; and,
 FIG. 7 is bottom view of the optical eyewear display shown in FIG. 1.

(56) **References Cited**

U.S. PATENT DOCUMENTS

- D251,048 S * 2/1979 Richman D20/19
- D426,998 S * 6/2000 Kidd D6/567

1 Claim, 6 Drawing Sheets



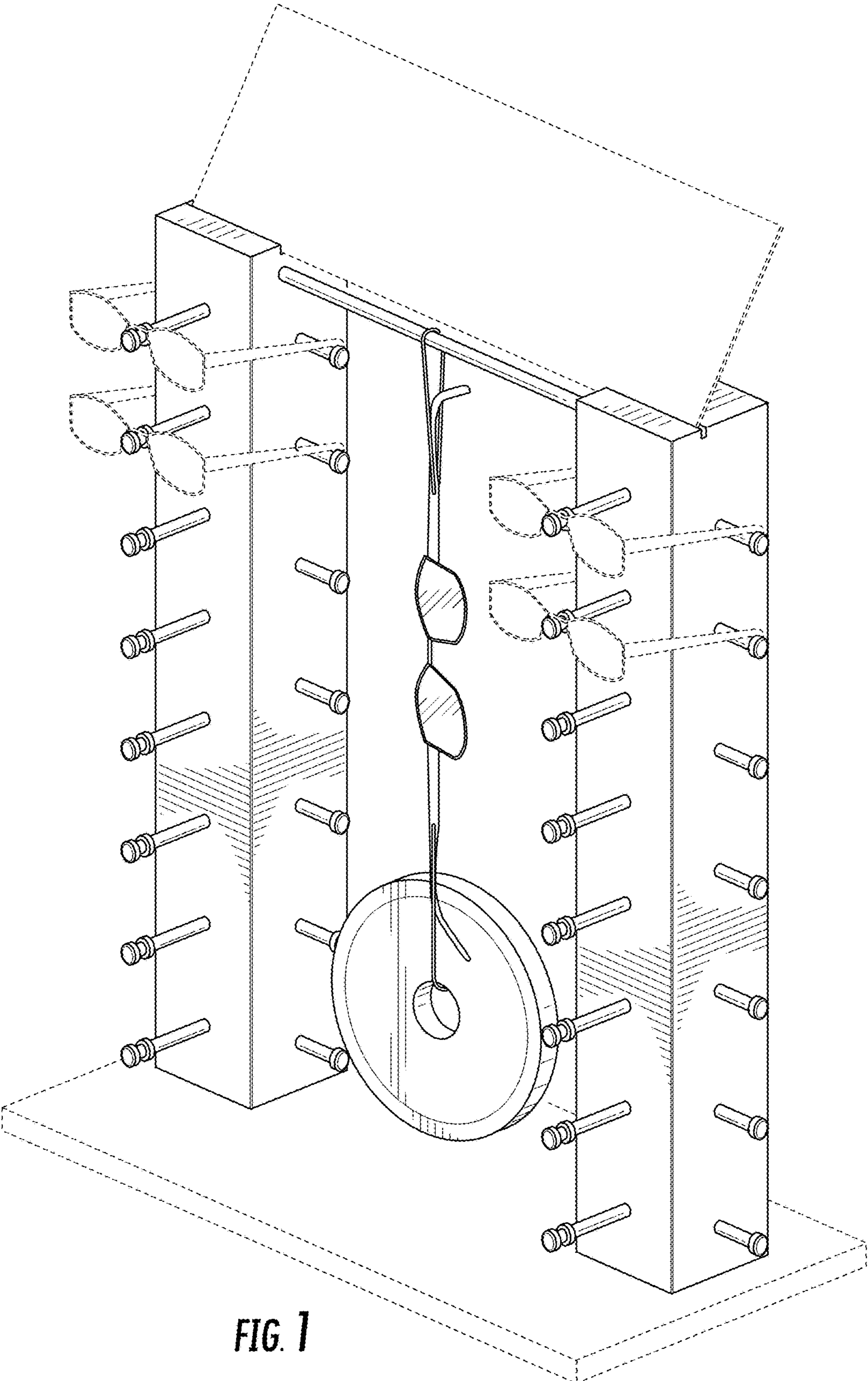


FIG. 1

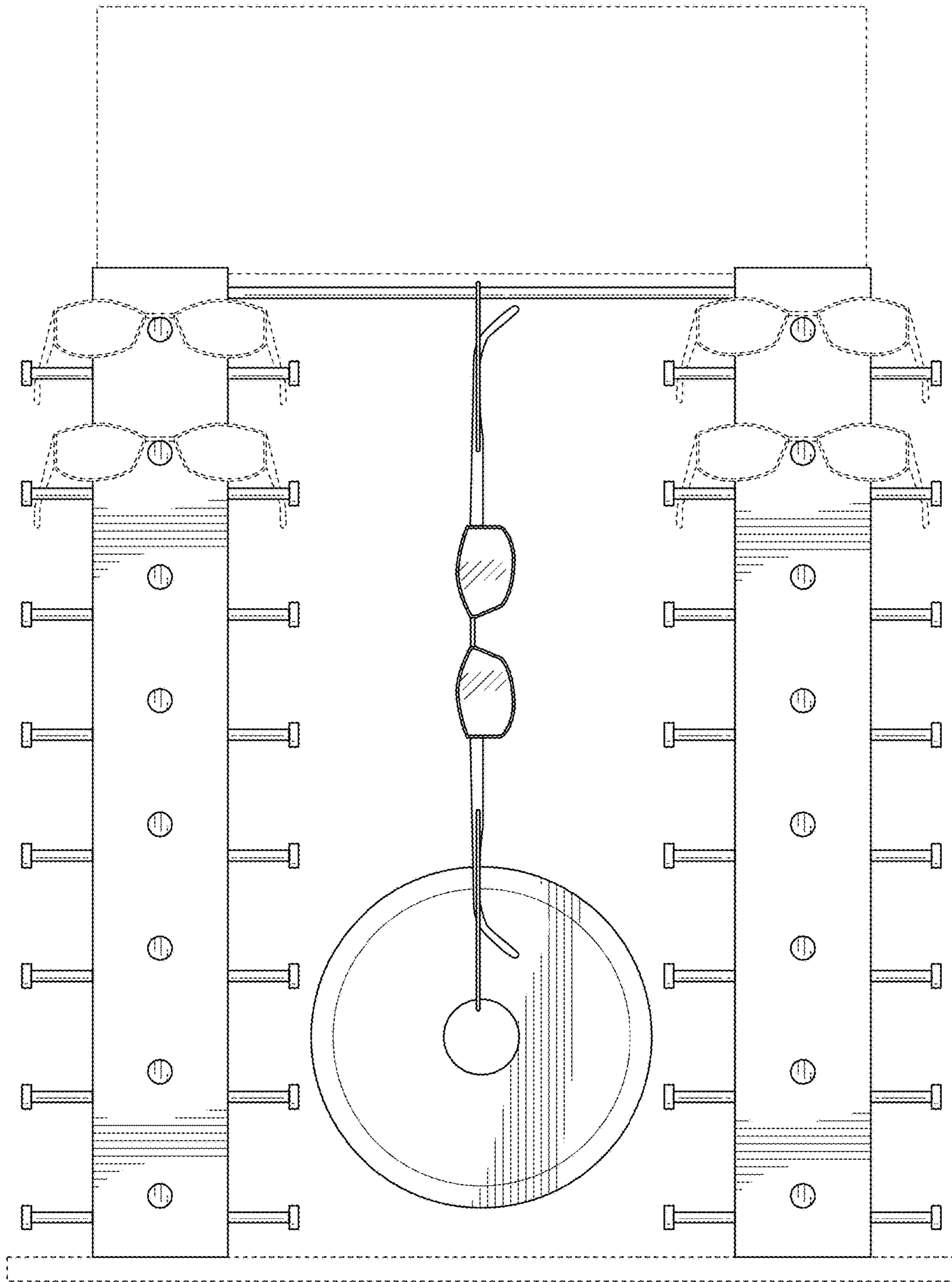


FIG. 2

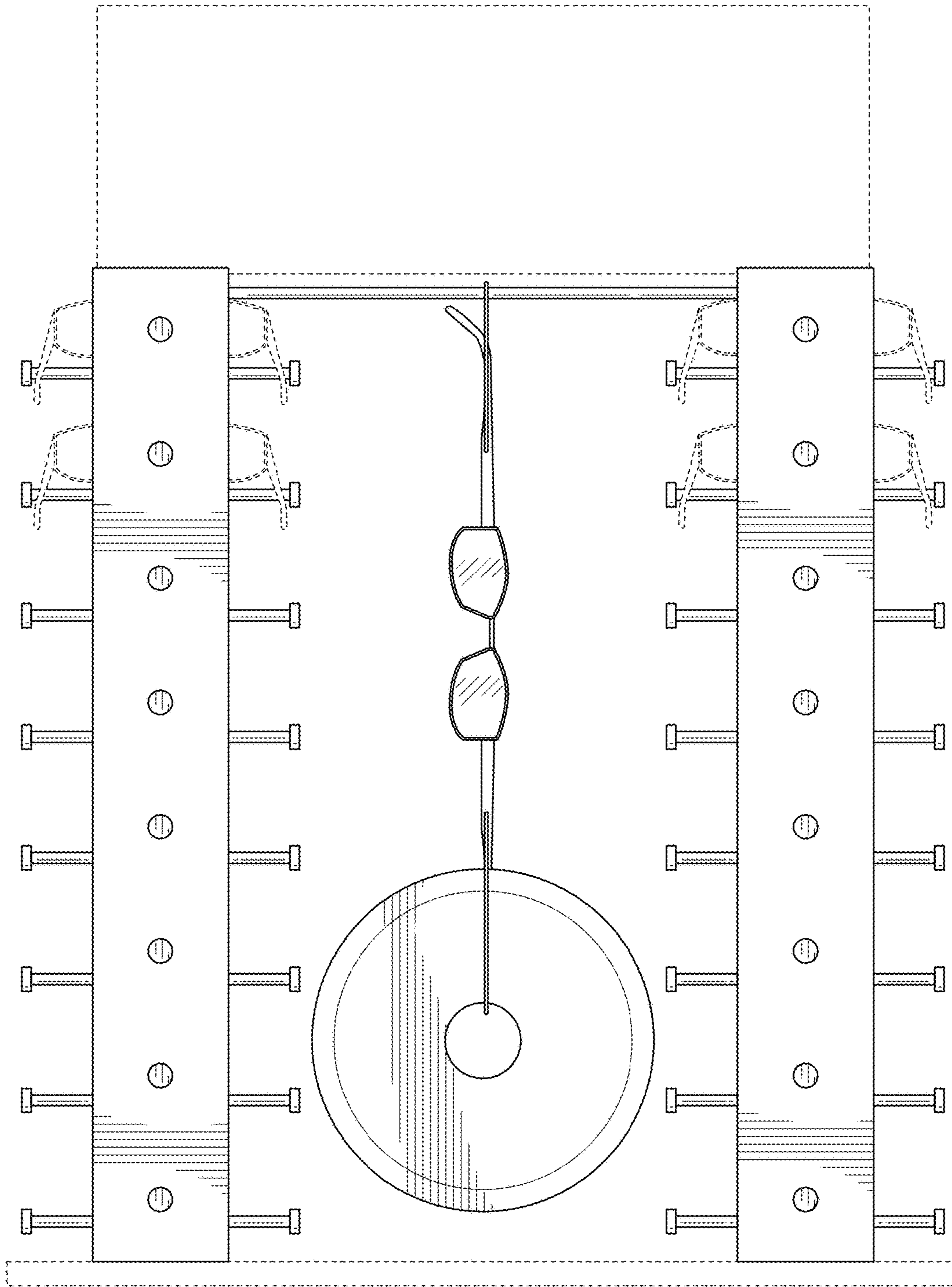


FIG. 3

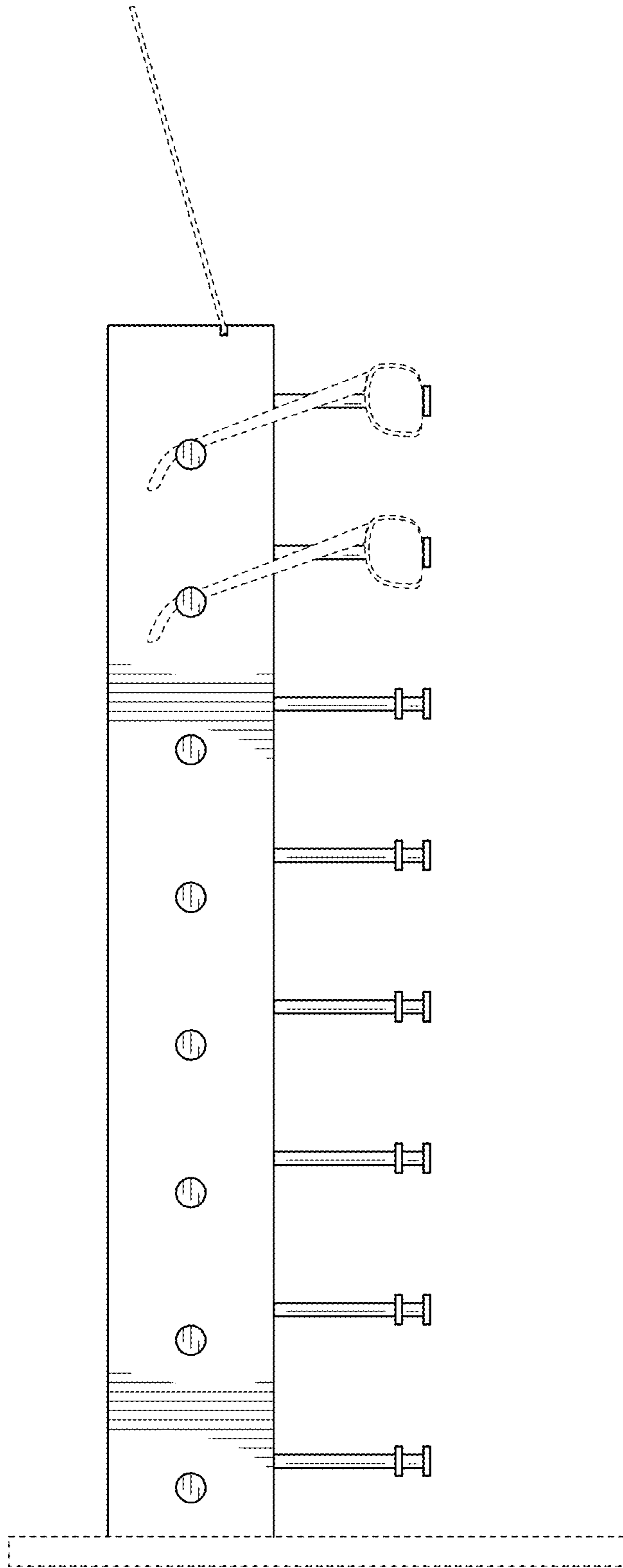


FIG. 4

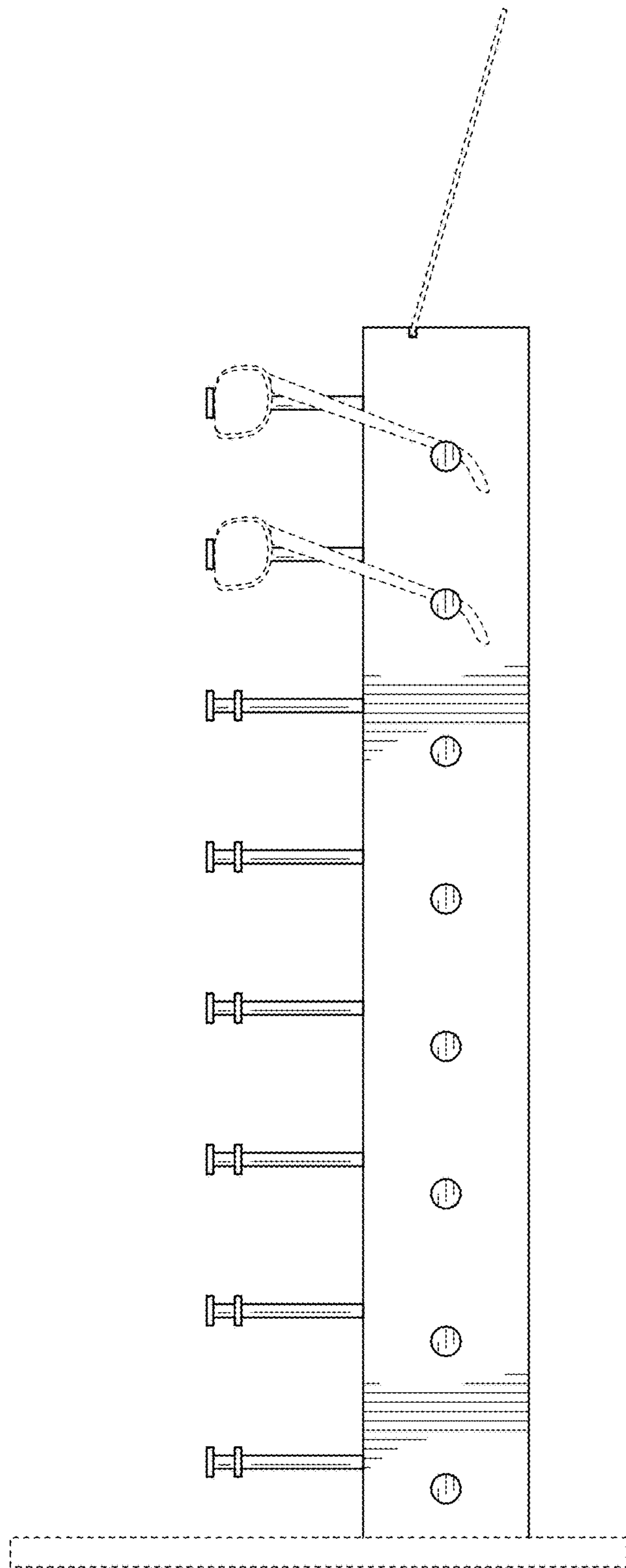


FIG. 5

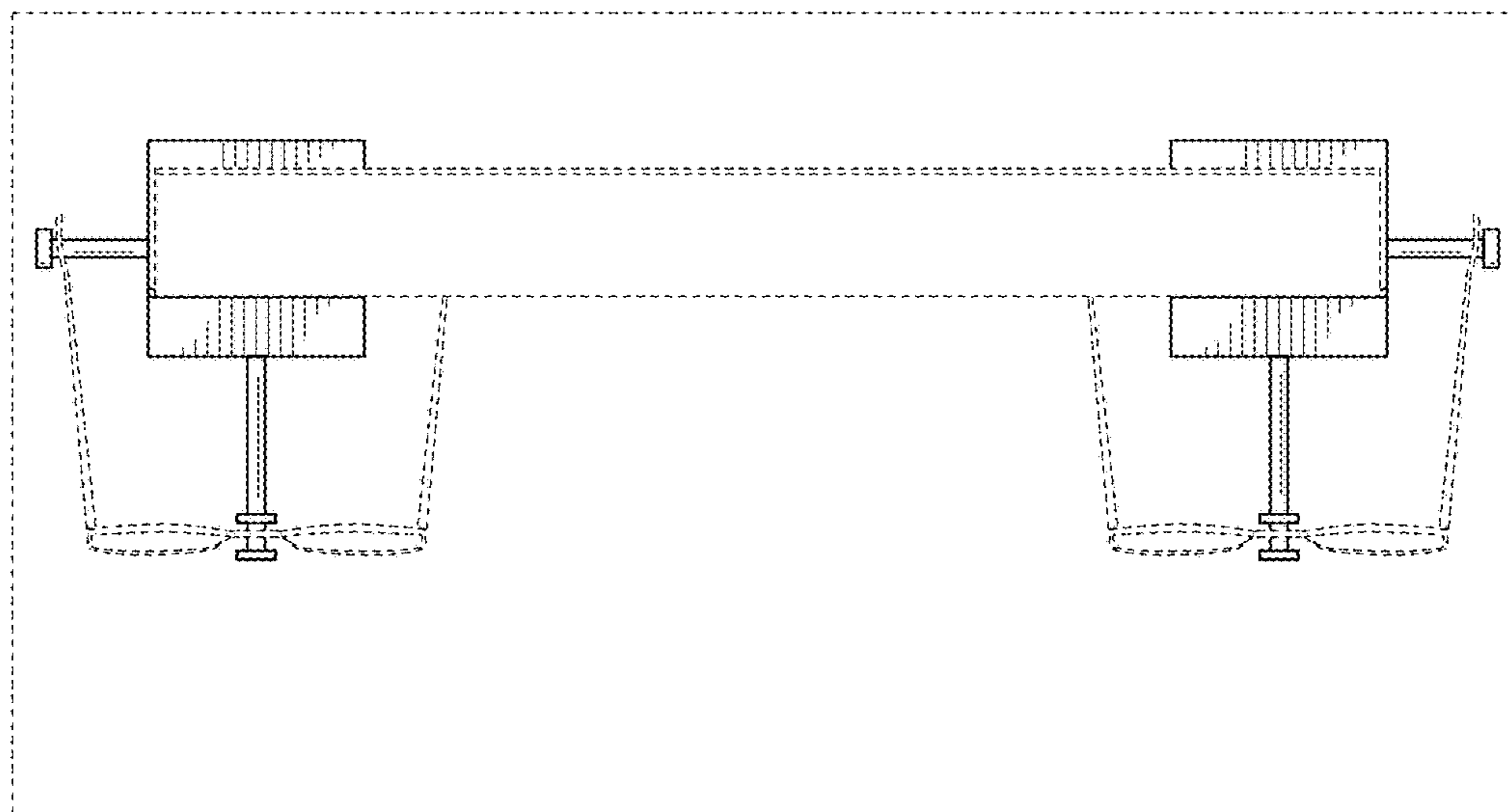


FIG. 6



FIG. 7