



US00D800483S

(12) **United States Design Patent**
Innes

(10) **Patent No.:** **US D800,483 S**
(45) **Date of Patent:** **** Oct. 24, 2017**

(54) **DISPLAY UNIT**

(71) Applicant: **CRASTER LIMITED**, London (GB)

(72) Inventor: **Peter Mitchell Innes**, London (GB)

(73) Assignee: **CRASTER LIMITED**, London (GB)

(**) Term: **15 Years**

(21) Appl. No.: **35/500,645**

(22) Filed: **Oct. 23, 2015**

(80) **Hague Agreement Data**

Int. Filing Date: **Oct. 23, 2015**

Int. Reg. No.: **DM/089389**

Int. Reg. Date: **Oct. 23, 2015**

Int. Reg. Pub. Date: **Feb. 26, 2016**

(30) **Foreign Application Priority Data**

Apr. 24, 2015 (EM) 002689190

(51) **LOC (10) Cl.** **06-04**

(52) **U.S. Cl.**
USPC **D6/675.1; D34/21**

(58) **Field of Classification Search**
USPC D6/672, 675, 675.1, 675.3, 675.4, 686;
D34/17, 20, 21

CPC A47B 43/00; A47B 45/00; A47B 46/00;
A47B 46/005; A47B 5/00; A47F 5/00;
A47F 5/0018; A47F 5/0043; A47F 5/10

See application file for complete search history.

(56) **References Cited**

U.S. PATENT DOCUMENTS

D130,079 S * 10/1941 Weller D6/686
D144,590 S * 4/1946 Schutes D6/686
D361,419 S * 8/1995 Snell D34/17
D391,421 S * 3/1998 Steelman D6/675.1

D411,903 S * 7/1999 Arvans D34/21
D515,847 S * 2/2006 Moon D6/675.1
D716,079 S * 10/2014 Su D6/675.1

(Continued)

OTHER PUBLICATIONS

Flow Trolley—Single—Craster <http://www.craster.com/products/butcher-trolley-single#retrieved> from the internet on Jan. 18, 2017.*

(Continued)

Primary Examiner — Mary Ann Calabrese

(74) *Attorney, Agent, or Firm* — SoCal IP Law Group
LLP; Mark A. Goldstein

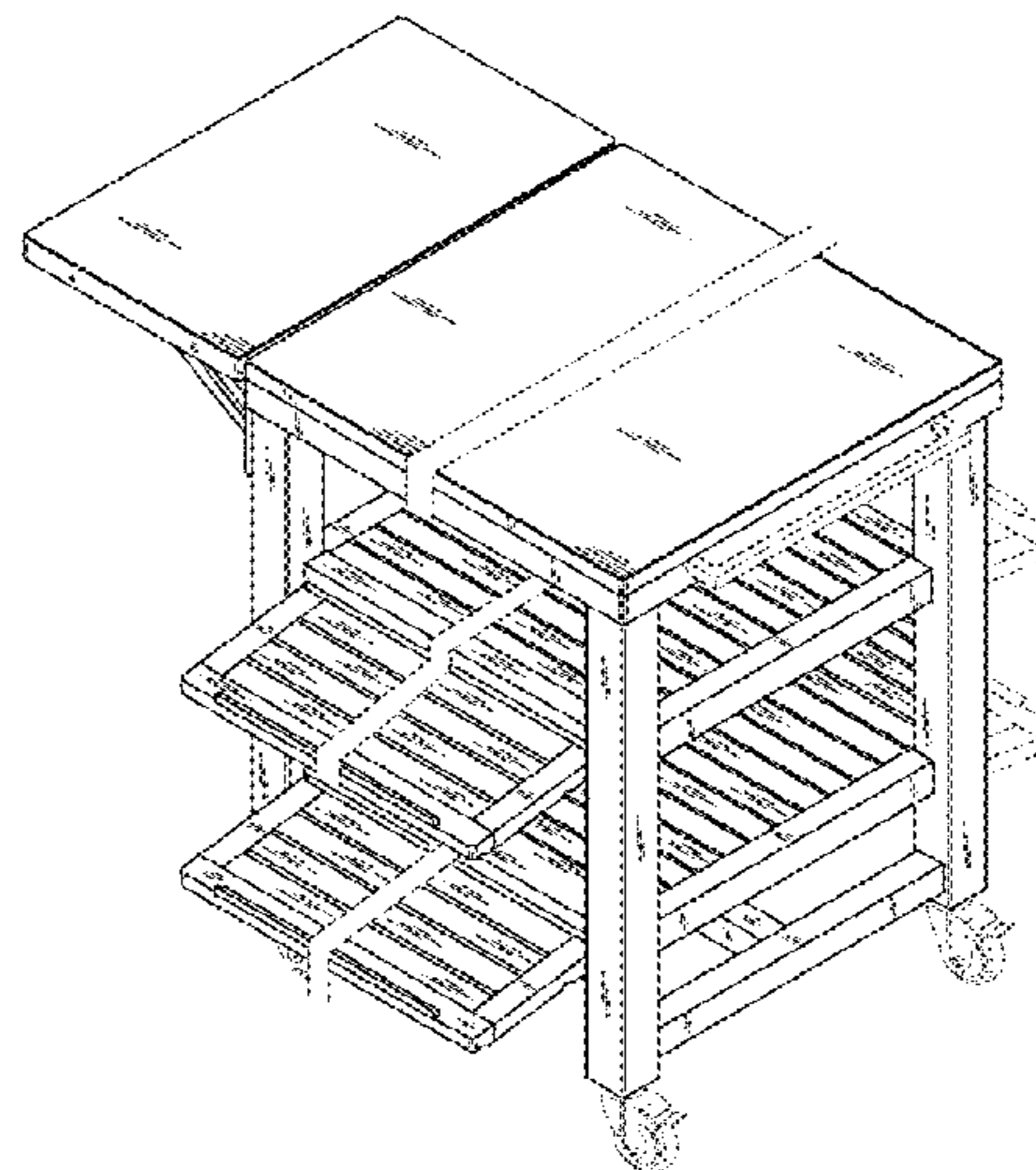
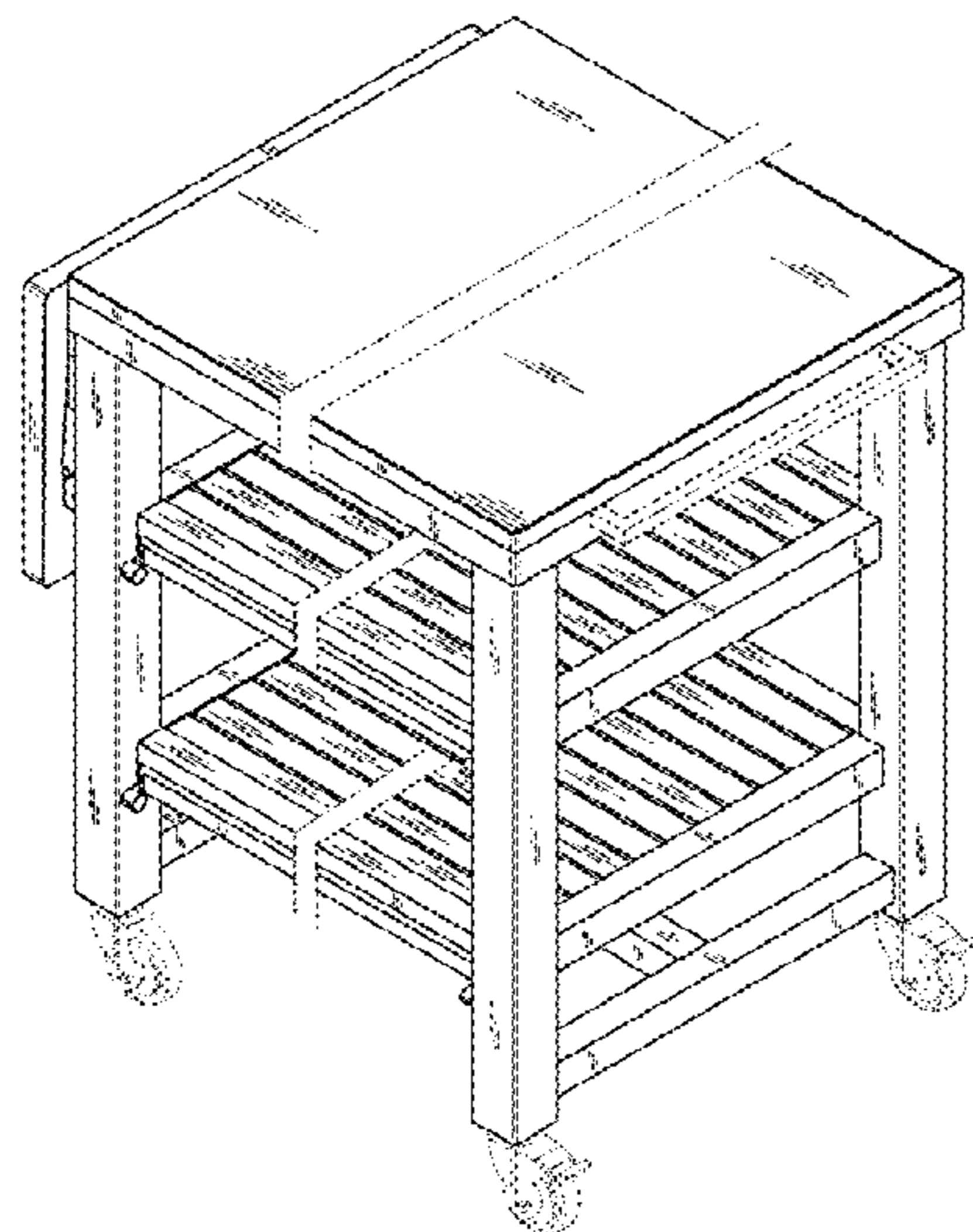
(57) **CLAIM**

The ornamental design for a display unit, as shown and described.

DESCRIPTION

1. Display unit
1.1 is a front perspective view of a display unit having all shelves retracted.
1.2 is a left side view of the display unit having all shelves retracted.
1.3 is a front view of the display unit having all shelves retracted.
1.4 is a front perspective view of the display unit showing all of the shelves extended in an alternate position of use.
1.5 is a top view of the display unit showing all of the shelves extended in an alternate position of use.
1.6 is a left side view of the display unit showing the top shelf retracted and the bottom shelves extended in an alternate position of use.
1.7 is a front view of the display unit showing all of the shelves extended in an alternate position of use.
The parallel dotted lines are separation lines that represent a symbolic break in width. The appearance of any portion of the article between the break lines forms no part of the claimed design. All other broken lines represent elements for which no protection is sought.

1 Claim, 7 Drawing Sheets



(56)

References Cited

U.S. PATENT DOCUMENTS

D732,323 S * 6/2015 Ho D6/675

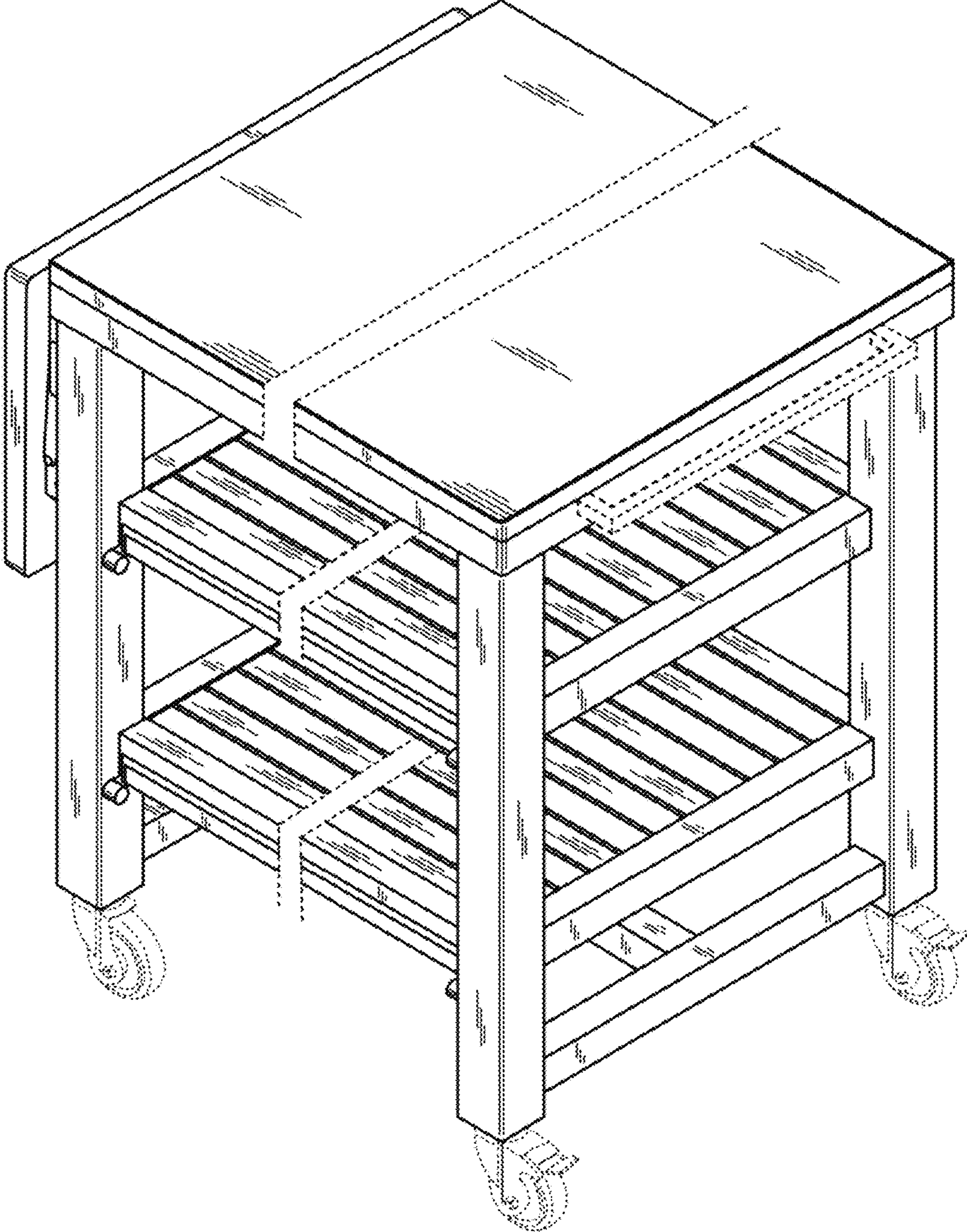
OTHER PUBLICATIONS

Flow Trolley—Double—Craster <http://www.craster.com/products/butcher-trolley-double#> retrieved from the internet on Jan. 18, 2017.*

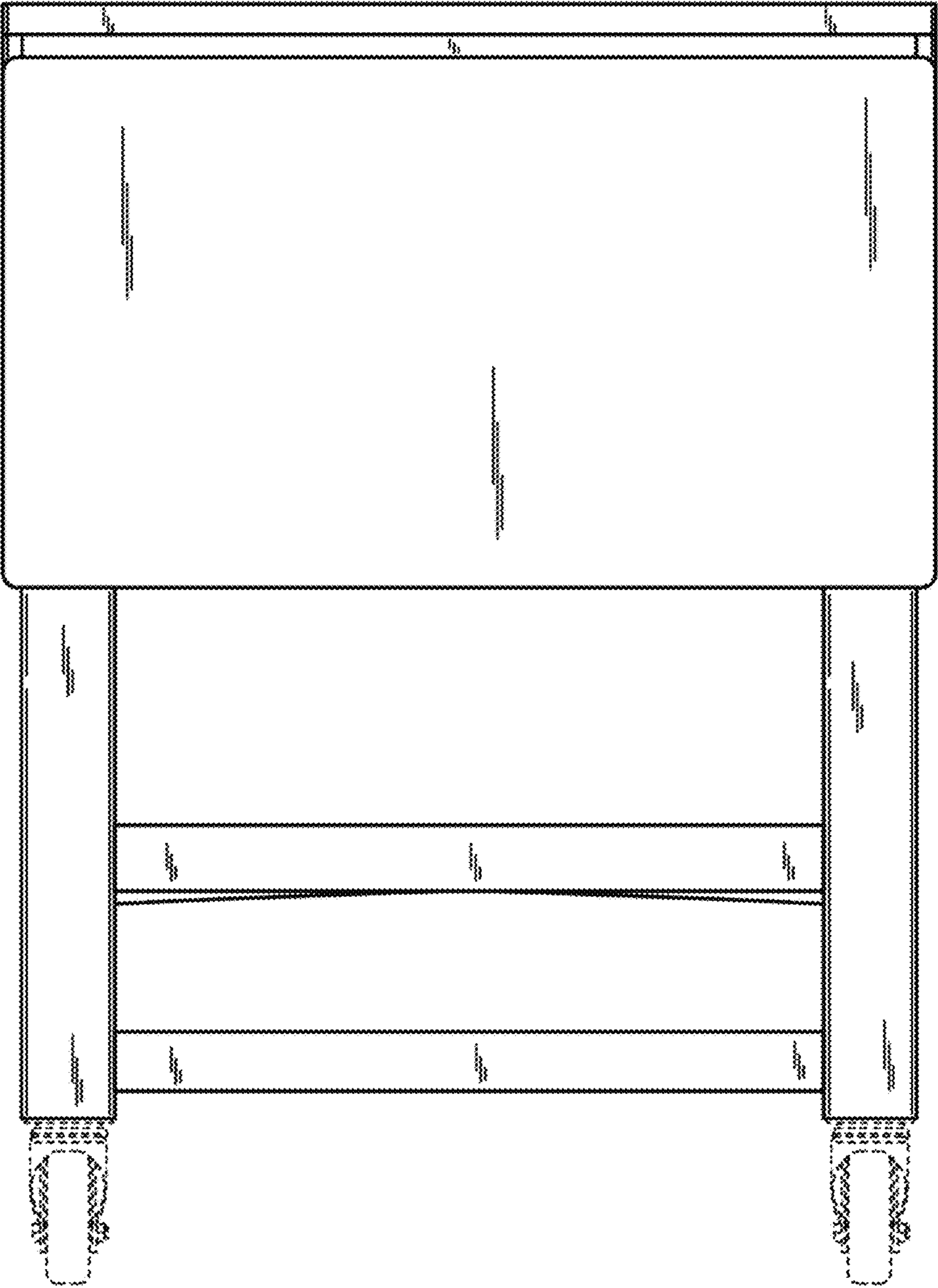
G-085 Best Quality Resturant Solid Wood Food Service Trolley Cart—Alibaba.com https://www.alibaba.com/product-detail/G-085-Best-Quality-Resturant-Solid_1847892343.html retrieved from the internet on Jan. 18, 2017.*

* cited by examiner

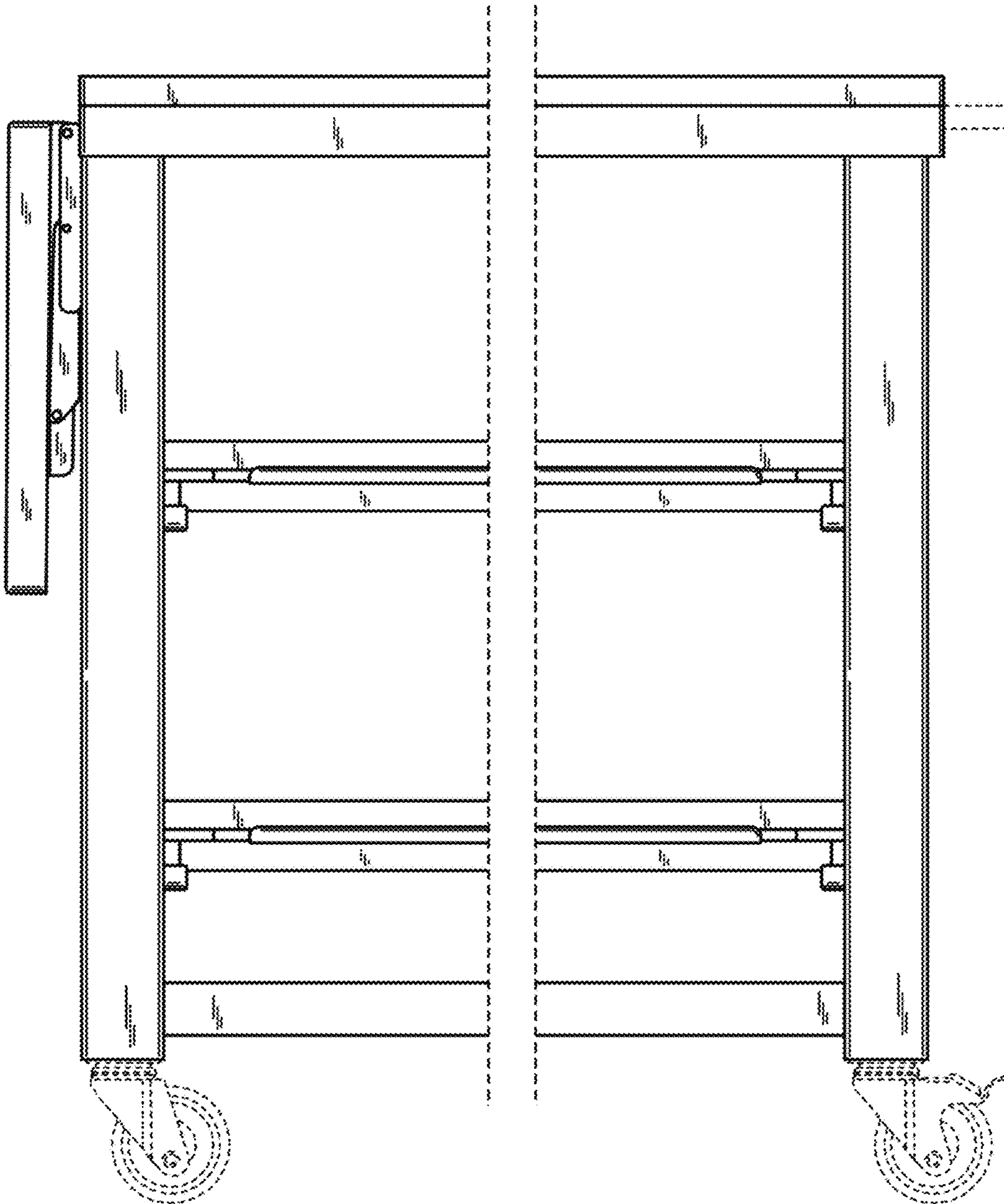
1.1



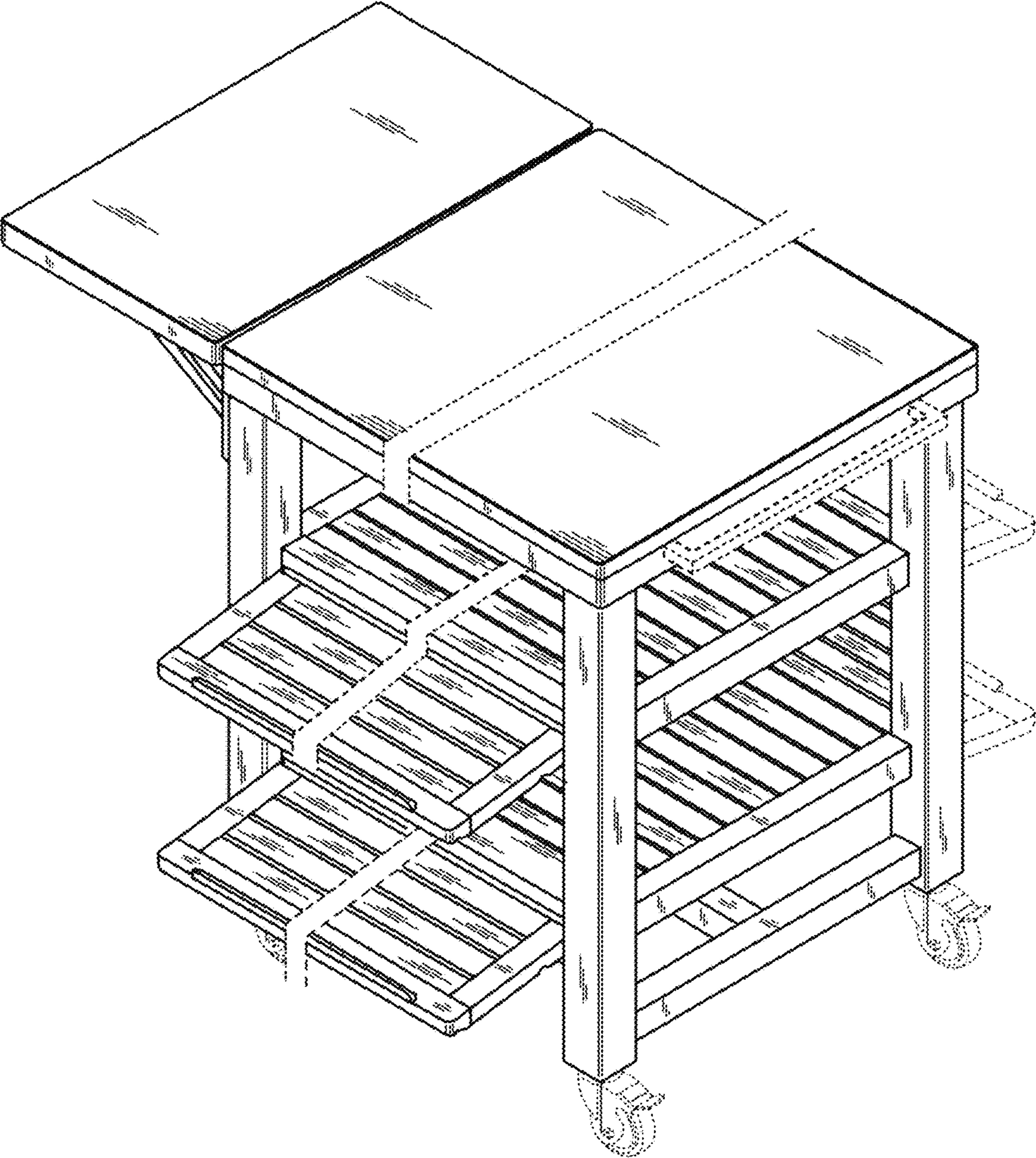
1.2



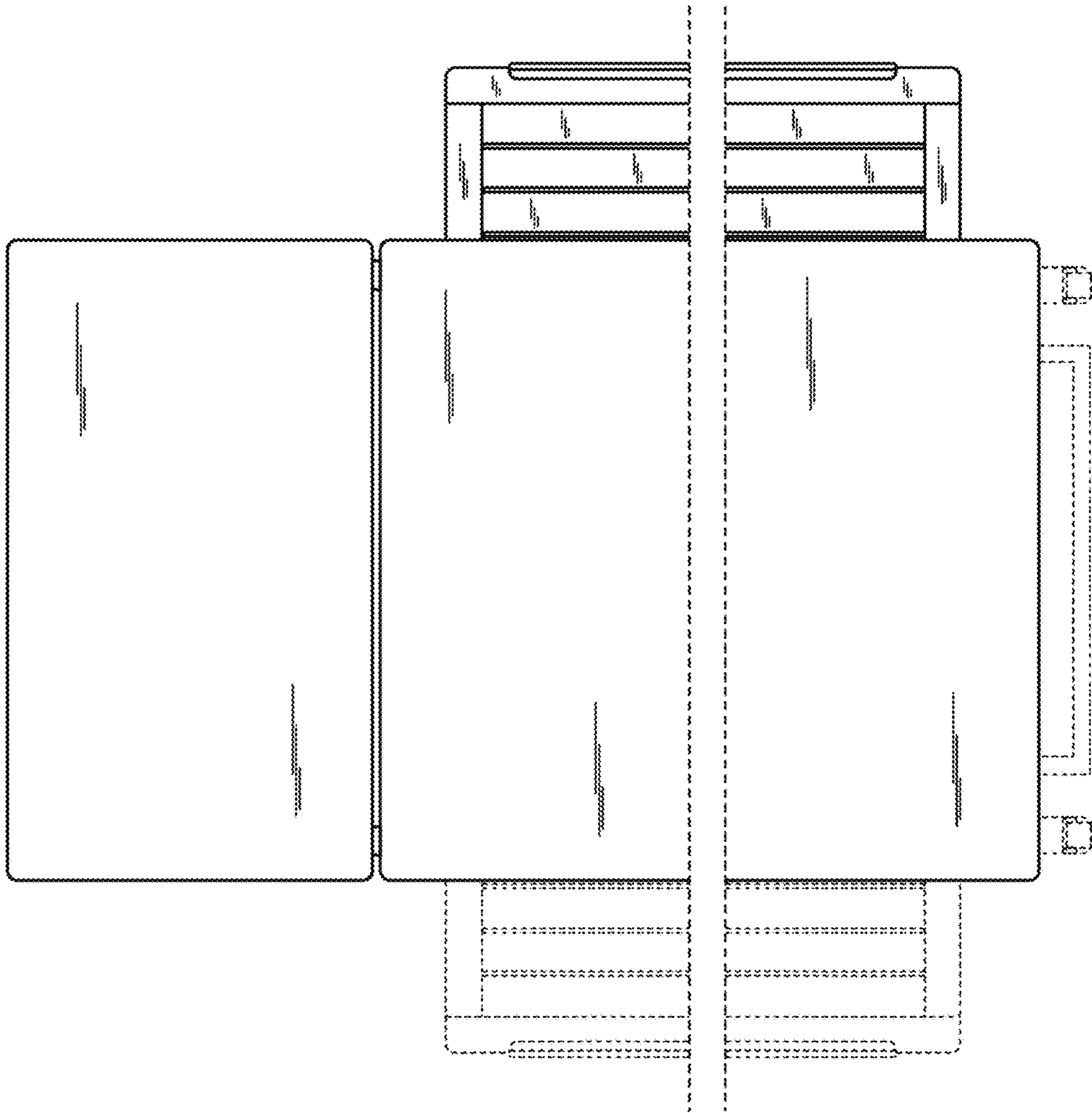
1.3



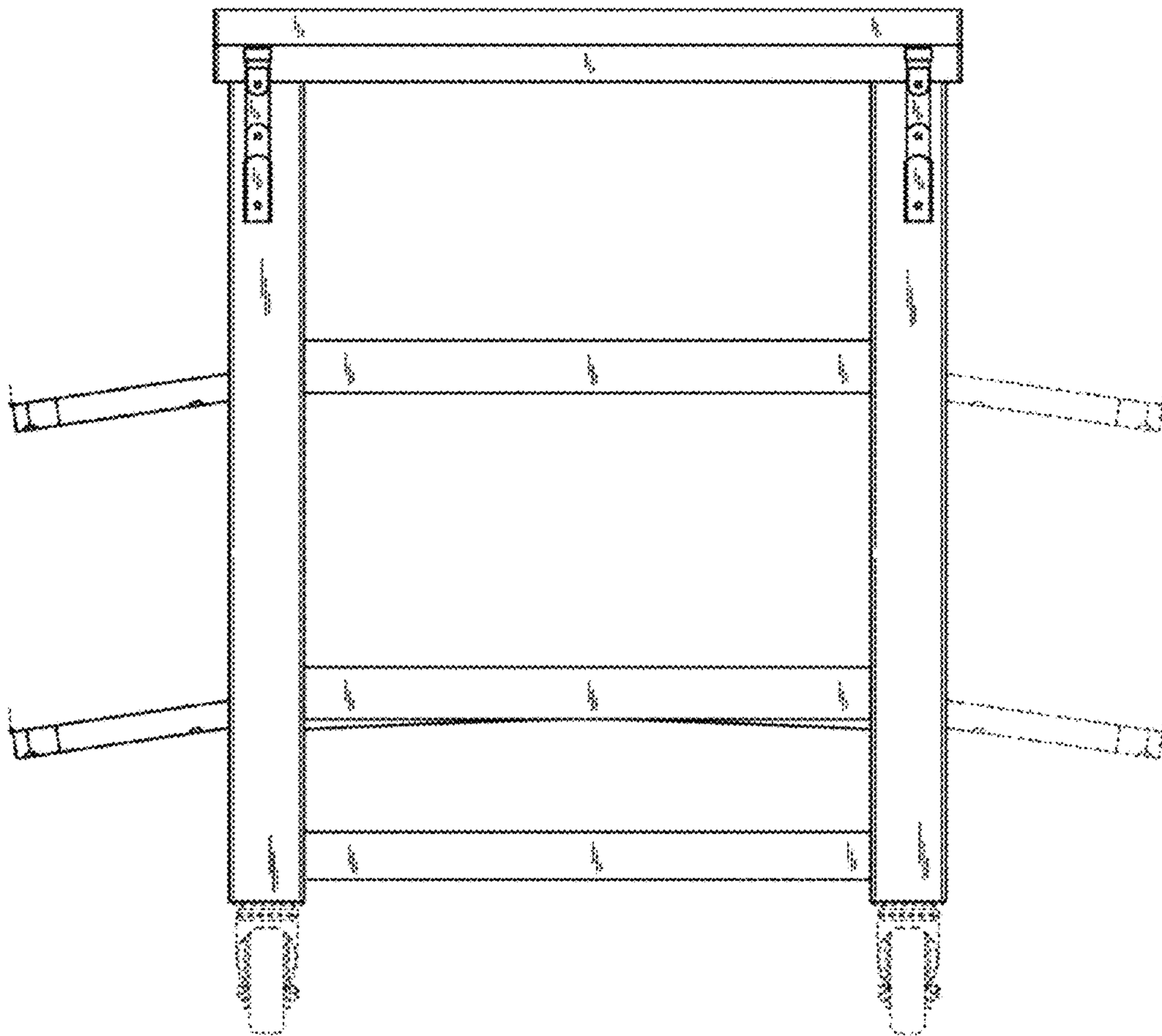
1.4



1.5



1.6



1.7

