



US00D800482S

(12) **United States Design Patent** (10) **Patent No.:** **US D800,482 S**
Alvey (45) **Date of Patent:** **** Oct. 24, 2017**

- (54) **KITCHEN ACCESSORY STORAGE DEVICE**
- (71) Applicant: **Darin Robert Alvey**, Jefferson, LA (US)
- (72) Inventor: **Darin Robert Alvey**, Jefferson, LA (US)
- (**) Term: **14 Years**
- (21) Appl. No.: **29/515,830**
- (22) Filed: **Jan. 27, 2015**
- (51) **LOC (10) Cl.** **06-03**
- (52) **U.S. Cl.**
USPC **D6/668; D6/699**
- (58) **Field of Classification Search**
USPC D6/698, 699, 699.2, 699.3, 699.4, 668, D6/664, 672, 673; D7/602, 609; 312/114, 117, 122, 140.4, 237; 220/23.2, 220/500, 506, 345.1
CPC A47B 77/022; A47B 81/00; A47B 17/02; A47F 3/005; A47F 3/00; A47F 3/06; A47K 5/05; A47G 21/14; A21B 3/134; A21B 3/13; B21D 51/44; A61B 19/0287
See application file for complete search history.

D320,321 S *	10/1991	Terrell	D6/666
5,340,207 A *	8/1994	Chen	A47B 43/00
				312/108
D367,776 S *	3/1996	Lohroff	D6/666
D369,523 S *	5/1996	Olson	D6/522
D371,278 S *	7/1996	Jorgensen	D7/609
D396,972 S *	8/1998	Van De		
		Oudeweetering	D34/20
D428,775 S *	8/2000	Chen	D7/609
D429,368 S *	8/2000	Hsieh	D26/142
D430,572 S *	9/2000	Bredeson	D14/455
D448,251 S *	9/2001	Bodum	D7/609
D471,380 S *	3/2003	King	D6/668
D484,752 S *	1/2004	Verbeek	D7/609
7,063,227 B2 *	6/2006	Looker	B65D 88/14
				160/269
D593,771 S *	6/2009	Petruccelli	D6/657
D594,247 S *	6/2009	Estephan	D6/666
D600,942 S *	9/2009	Marrone	D6/666

(Continued)

Primary Examiner — John Windmuller
Assistant Examiner — Steven Czyz
(74) *Attorney, Agent, or Firm* — Dunlap Bennett & Ludwig PLLC

(57) **CLAIM**

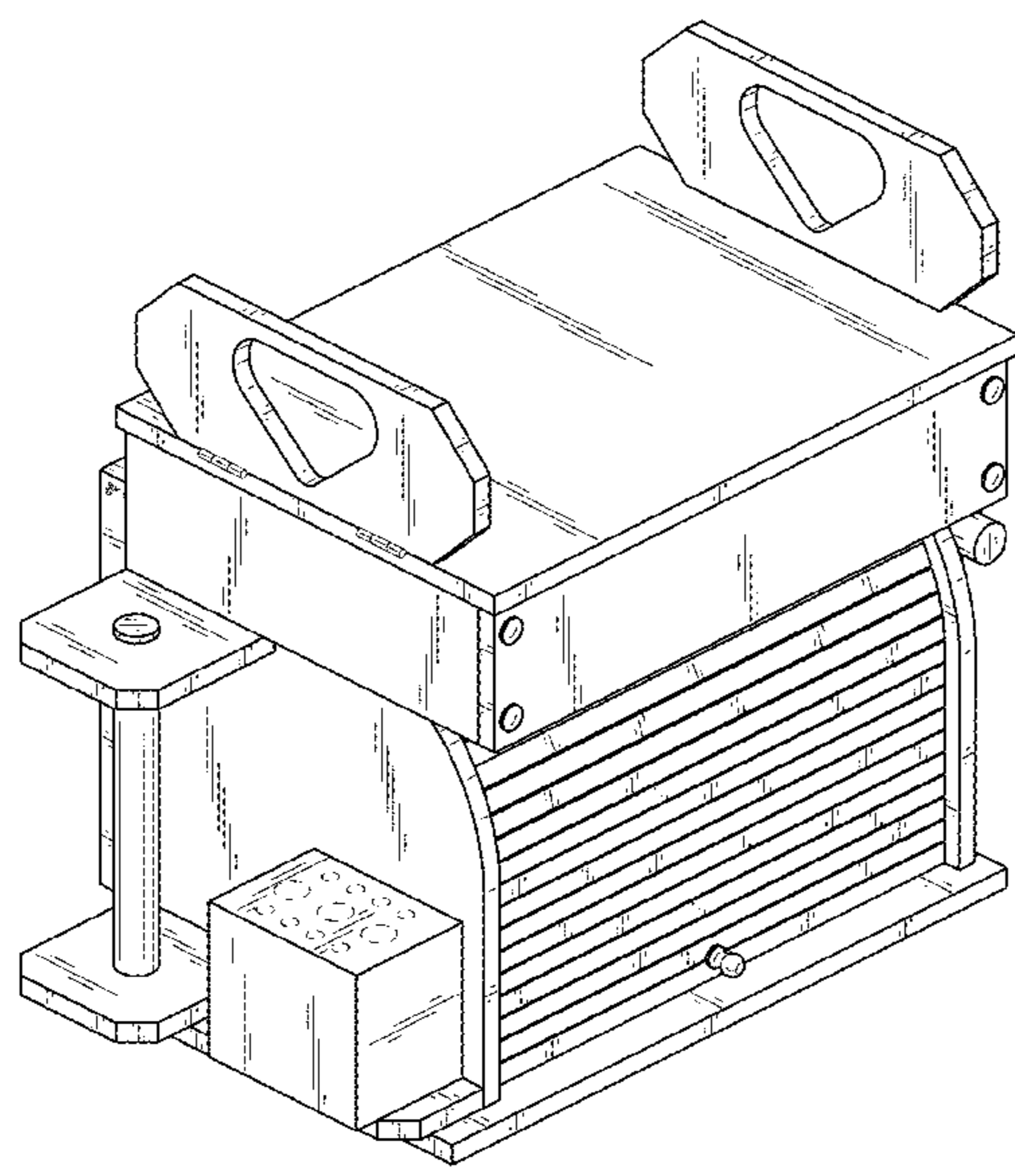
The ornamental design for a kitchen accessory storage device, as shown and described.

DESCRIPTION

FIG. 1 is a front perspective view of a kitchen accessory storage device;
FIG. 2 is a front elevation view thereof;
FIG. 3 is a rear elevation view thereof;
FIG. 4 is a left side elevation view thereof;
FIG. 5 is a right side elevation view thereof;
FIG. 6 is a top plan view thereof; and,
FIG. 7 is a bottom plan view thereof.
The broken lines depict portions of the article that form no part of the claimed design.

1 Claim, 4 Drawing Sheets

- (56) **References Cited**
U.S. PATENT DOCUMENTS
D166,225 S * 3/1952 Popeil et al. D7/609
2,736,452 A * 2/1956 Roop A47J 47/12
220/252
3,330,611 A * 7/1967 Heifetz E06B 9/115
312/297
D209,224 S * 11/1967 Appel et al. D7/609
D232,799 S * 9/1974 Knudson et al. 217/62
4,266,835 A * 5/1981 Schmidt B25H 3/02
312/244
D286,126 S * 10/1986 Driscoll D6/666
D291,162 S * 8/1987 Kwiecinski D6/642
D291,644 S * 9/1987 Osborn D6/670



(56)

References Cited

U.S. PATENT DOCUMENTS

D678,694 S * 3/2013 Grela D6/673
D734,549 S * 7/2015 Waller D28/73

* cited by examiner

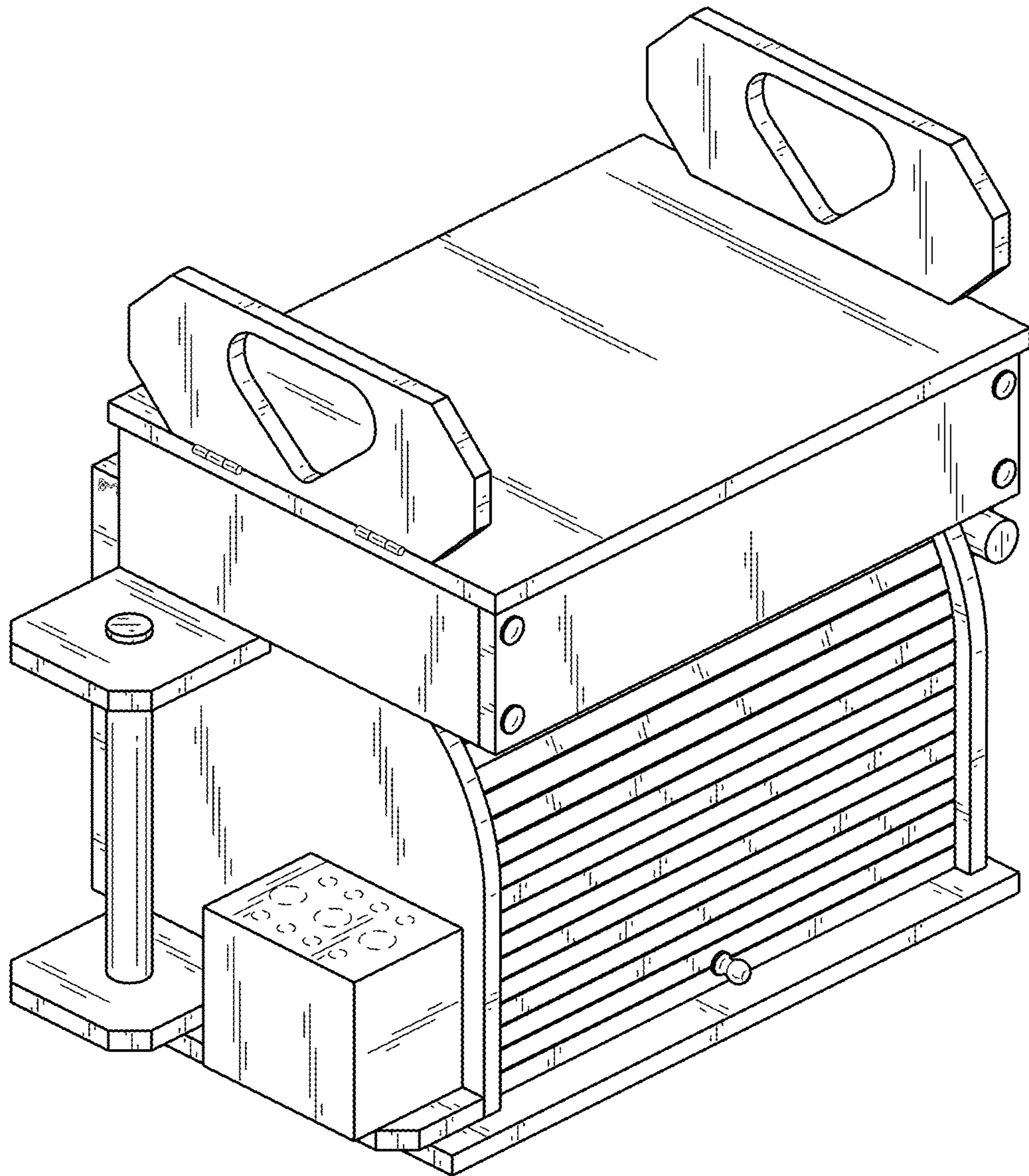


FIG. 1

FIG. 2

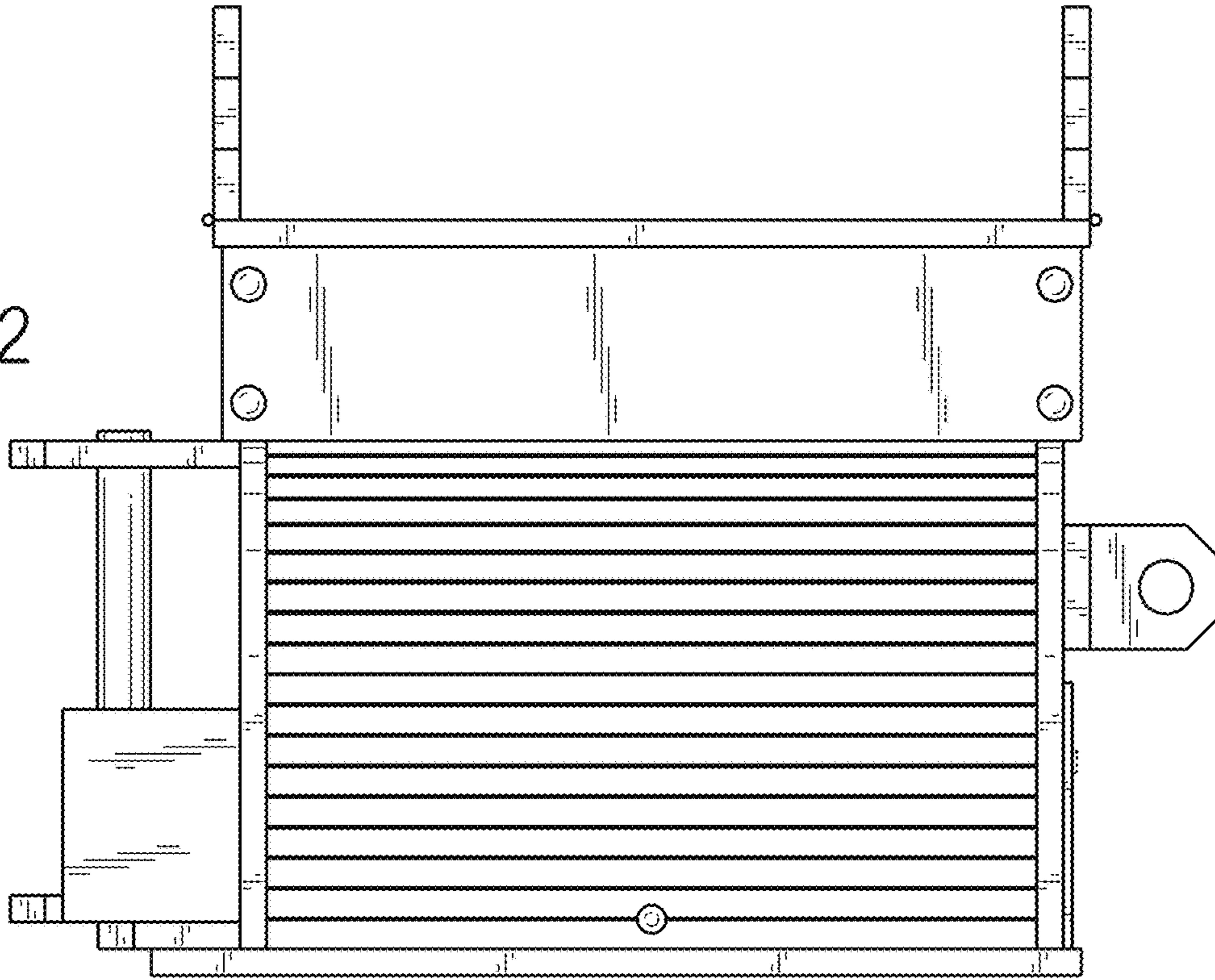
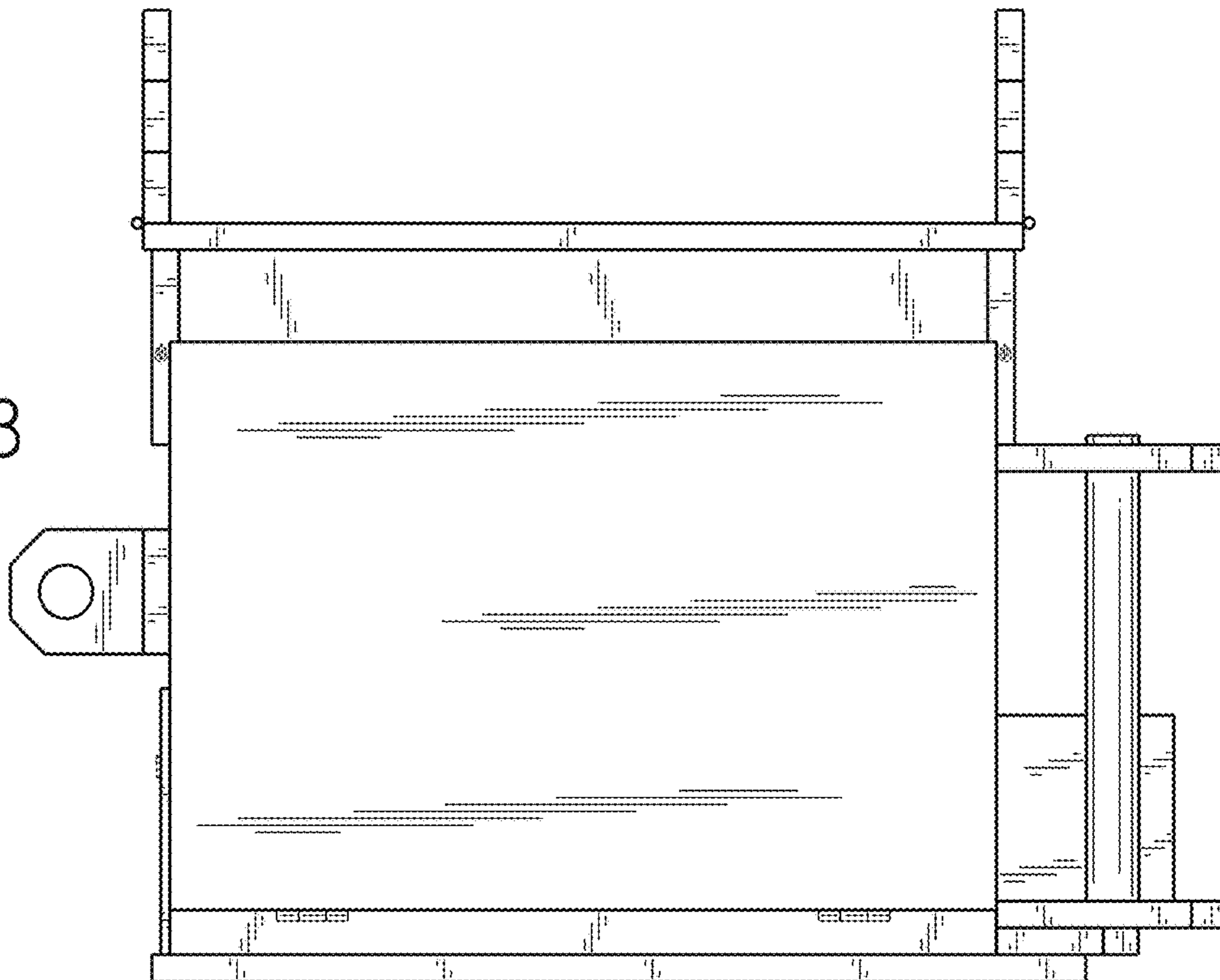


FIG. 3



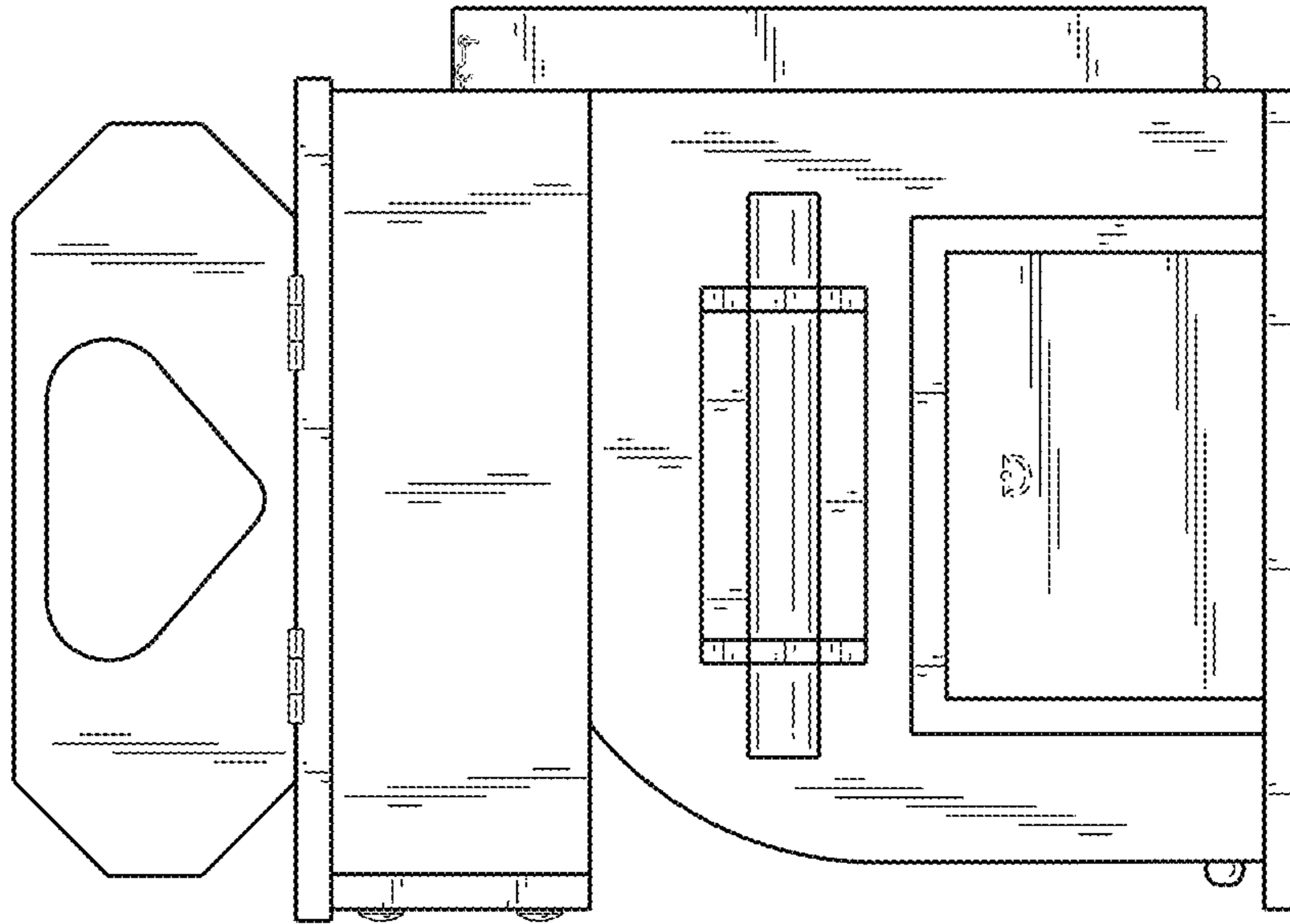


FIG. 5

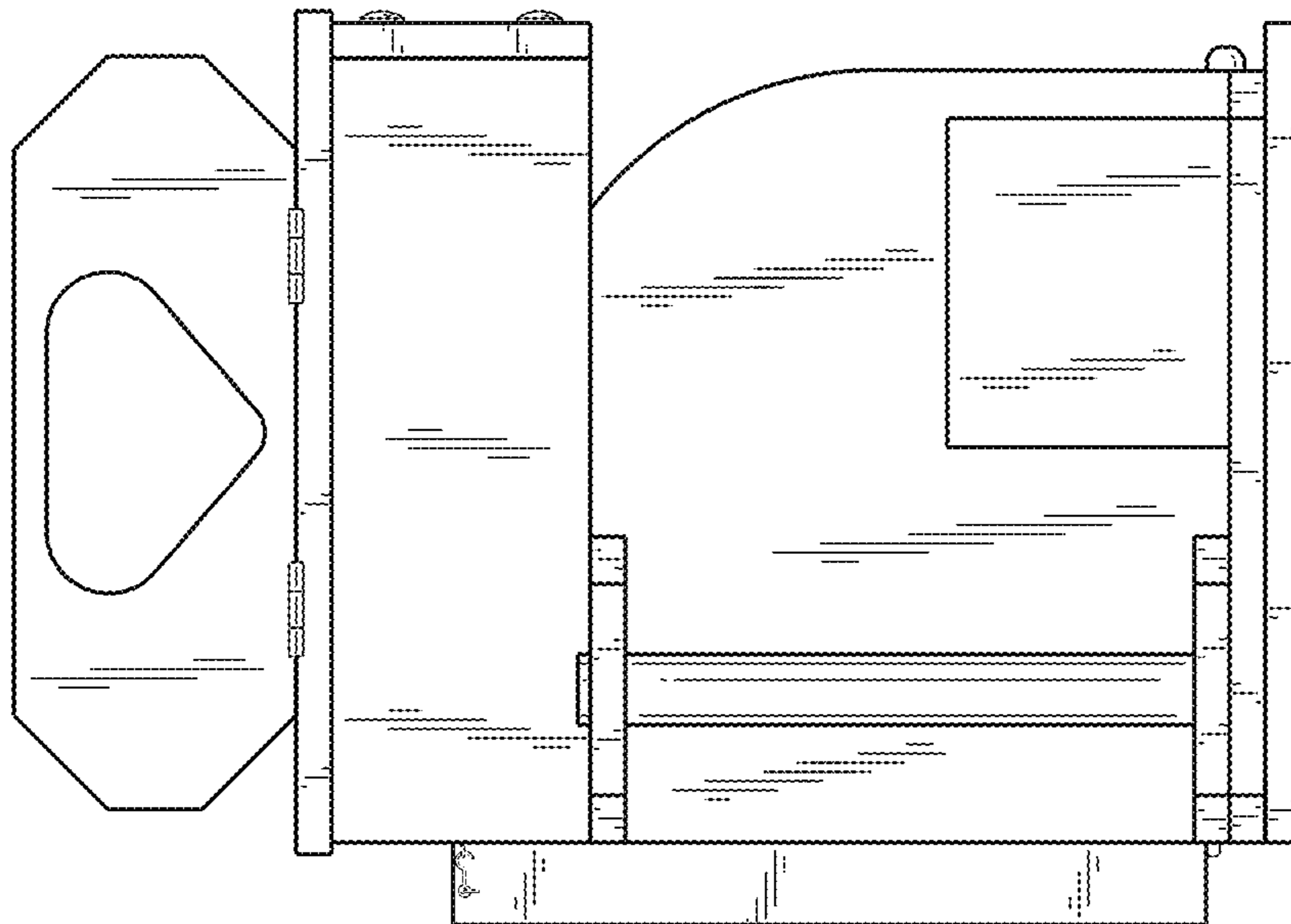


FIG. 4

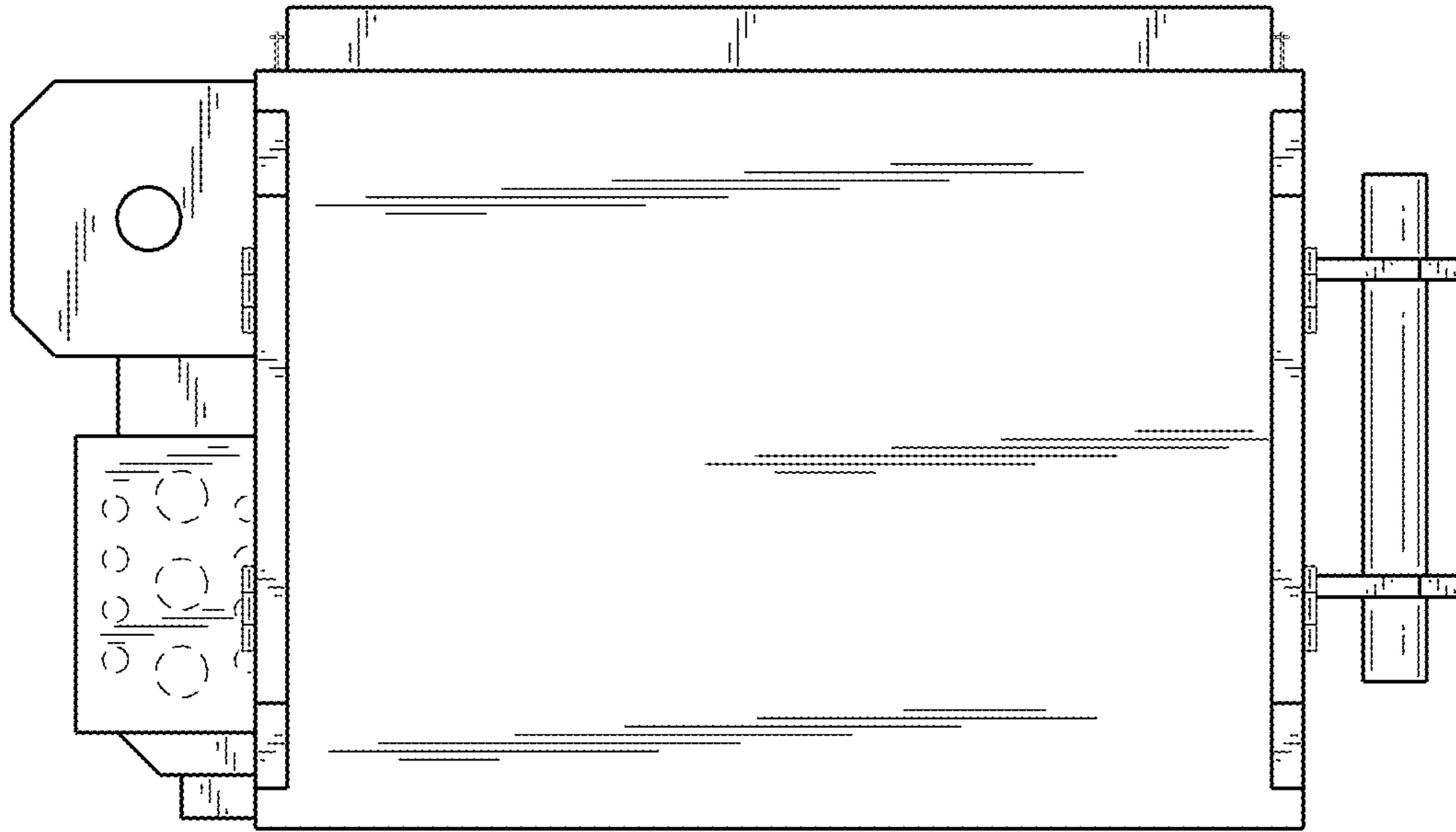


FIG. 6

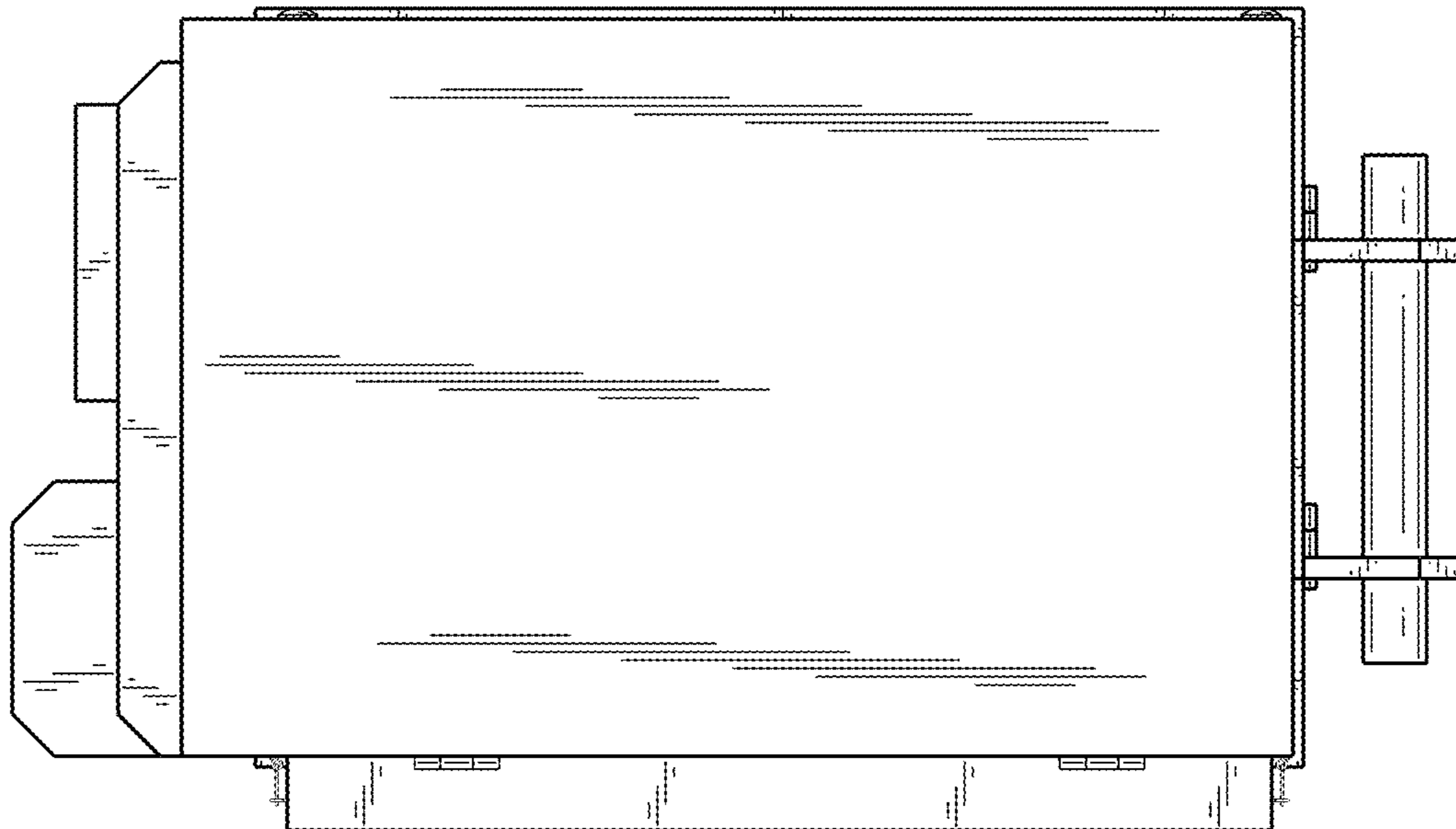


FIG. 7