



US00D800480S

(12) **United States Design Patent** (10) **Patent No.:** **US D800,480 S**
Paperno (45) **Date of Patent:** **** Oct. 24, 2017**

- (54) **INFANT SUPPORT PAD**
- (71) Applicant: **Steven Paperno**, Westlake Village, CA (US)
- (72) Inventor: **Steven Paperno**, Westlake Village, CA (US)
- (**) Term: **15 Years**
- (21) Appl. No.: **29/606,796**
- (22) Filed: **Jun. 7, 2017**

D289,481 S * 4/1987 Reddick 5/653
 D322,001 S * 12/1991 Meeker D6/385
 D322,312 S * 12/1991 Mombrinie D24/158
 (Continued)

FOREIGN PATENT DOCUMENTS

EP 1 795 090 A1 6/2007
 NZ 510421 A 1/2004

OTHER PUBLICATIONS

Infant Newborn Baby Anti Roll Pillow Sleep Prevent Flat Head Cushion Positioner, walmart.com 4 pages, downloaded Jun. 7, 2017, <https://www.walmart.com/ip/Infant-Newborn-Baby-Anti-Roll-Pillow-Sleep-Prevent-Flat-Head-Cushion-Positioner/422240472?wrlspartner=wipa&selectedSell%E2%80%A6>.

Related U.S. Application Data

- (63) Continuation of application No. 15/254,766, filed on Sep. 1, 2016.
- (51) **LOC (10) Cl.** **06-09**
- (52) **U.S. Cl.**
USPC **D6/596**
- (58) **Field of Classification Search**
USPC D6/333, 349, 355, 375, 388, 512, 563, D6/564, 595, 596, 601, 604, 611, 707, D6/715, 716, 716.1; D24/183-185, 234; D21/803, 804, 805, 809; 5/401, 420, 5/600, 630, 631, 632, 633, 635, 636, 638, 5/639, 646, 652, 652.1, 655, 703, 730; 297/1, 2, 4, 93, 180.11, 195.1, 195.11, 297/195.13, 393, 397, 452.12, 452.14, 297/452.15, 452.21, 452.24, 452.26, 297/452.48, 452.62, 482
CPC A47G 9/10; A47G 9/1009; A47G 9/1027; A47G 9/1045; A47G 9/1063; A47G 9/1072; A47G 9/1081
See application file for complete search history.

Primary Examiner — Eric L Goodman
Assistant Examiner — Sanjeev Paul
 (74) *Attorney, Agent, or Firm* — Knobbe, Martens, Olson & Bear LLP

(57) **CLAIM**

The ornamental design for an infant support pad, as shown and described.

DESCRIPTION

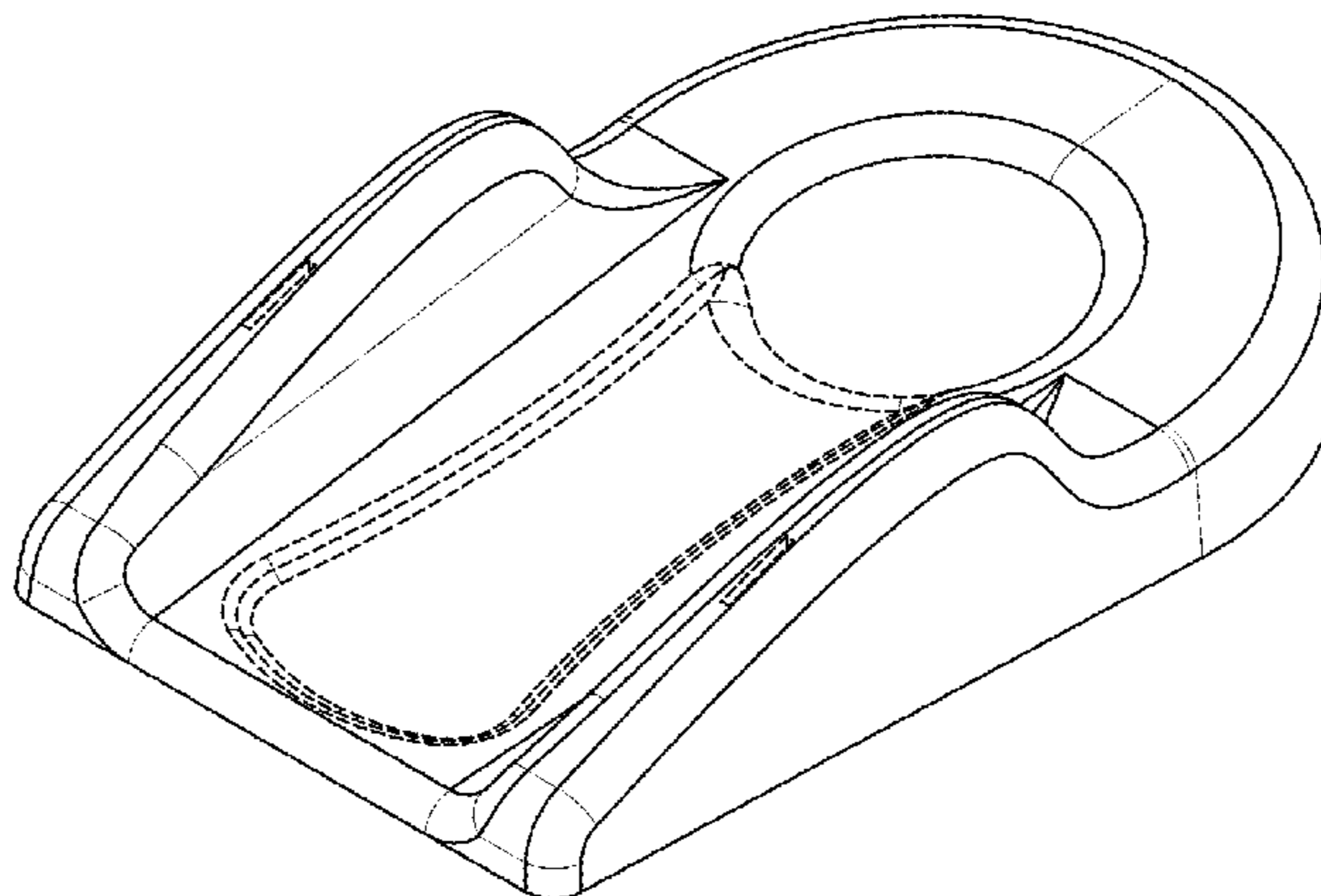
FIG. 1 is a top perspective view of an infant support pad showing my new design.
 FIG. 2 is a bottom perspective view thereof;
 FIG. 3 is a top view thereof;
 FIG. 4 is a bottom view thereof;
 FIG. 5 is a front side view thereof;
 FIG. 6 is a rear side view thereof;
 FIG. 7 is a left side view thereof, the right side view being a mirror image thereof;
 FIG. 8 is a cross-sectional view thereof along center line 8-8 in FIG. 3; and,
 FIG. 9 is a cross-sectional view thereof along line 9-9 in FIG. 3;

(Continued)

(56) **References Cited**

U.S. PATENT DOCUMENTS

D103,216 S * 2/1937 Cevasco 5/655
 2,876,459 A 3/1959 Ackerson
 D259,458 S * 6/1981 Fuller 5/655



The broken lines illustrate portions of the infant support pad that form no part of the claimed design.

1 Claim, 7 Drawing Sheets

(56)

References Cited

U.S. PATENT DOCUMENTS

D334,318 S * 3/1993 Chee D6/601
 D342,855 S 1/1994 Butler, II
 D370,586 S 6/1996 Olah
 5,524,640 A 6/1996 Lisak et al.
 5,800,368 A 9/1998 Klingeman et al.
 D404,238 S * 1/1999 Keilhauer D6/601
 D416,428 S * 11/1999 Jackson 5/644
 D417,568 S * 12/1999 Pike D6/333
 6,023,802 A 2/2000 King
 D463,701 S * 10/2002 Borcharding D6/601
 D469,648 S * 2/2003 Meldeau D21/687
 D487,373 S * 3/2004 Ku D6/604
 D529,319 S * 10/2006 Shibata D6/715
 7,140,057 B2 * 11/2006 Hetzel A47C 7/022
 297/452.26
 7,234,181 B1 * 6/2007 Griggs A47D 13/08
 5/632
 D552,244 S * 10/2007 Tinsley D24/183
 D555,917 S * 11/2007 Erli D6/333
 D556,286 S * 11/2007 Peterson D21/803
 D558,292 S * 12/2007 Engaldo D21/803
 D572,958 S * 7/2008 Keilhauer D6/601
 D576,408 S * 9/2008 Forshpan D6/333
 D610,853 S * 3/2010 Straub D6/601
 D611,259 S * 3/2010 Yeung D6/333
 D624,344 S * 9/2010 Kashey D6/601
 D642,278 S * 7/2011 Sharps D24/184
 D642,280 S * 7/2011 Goumas D24/183
 D656,749 S * 4/2012 Bergkvist D6/333

D658,394 S * 5/2012 Debevec D6/333
 D670,088 S * 11/2012 Wozniak D6/333
 D670,090 S * 11/2012 Miucci D6/349
 D672,567 S * 12/2012 Sclare D6/333
 D674,614 S * 1/2013 Morand D6/333
 8,474,079 B1 * 7/2013 Gangitano A47C 20/027
 5/421
 8,640,289 B2 2/2014 Reeder, Jr.
 D702,459 S * 4/2014 Scarlett D6/601
 D714,072 S * 9/2014 Nadeau D6/390
 D718,074 S * 11/2014 Savolainen D6/601
 D731,813 S * 6/2015 Durkin D6/601
 D732,174 S * 6/2015 Johnson D24/184
 D732,312 S * 6/2015 Tiffin D6/601
 D733,897 S * 7/2015 Rossouw D24/184
 D734,545 S * 7/2015 Cantu D28/57
 D734,546 S * 7/2015 Baker D28/57
 D736,391 S * 8/2015 Johnson D24/184
 D743,186 S * 11/2015 Perdue D6/596
 D756,687 S * 5/2016 Durkin D6/601
 D773,858 S * 12/2016 Takashima D6/601
 D782,237 S * 3/2017 Caforio D6/716.1
 2006/0096031 A1 5/2006 Foster
 2008/0092299 A1 * 4/2008 Gudel Kemm A47D 15/001
 5/655
 2008/0092300 A1 * 4/2008 Joe A47D 13/08
 5/655
 2008/0172795 A1 7/2008 Straub
 2009/0007336 A1 * 1/2009 Kassai A47D 13/08
 5/655
 2010/0237675 A1 * 9/2010 Merritt A47C 7/38
 297/393
 2013/0047339 A1 * 2/2013 Kim A47G 9/109
 5/637
 2015/0374138 A1 * 12/2015 Park A47D 15/001
 5/655
 2017/0119624 A1 * 5/2017 Kim A61H 37/00
 2017/0156958 A1 * 6/2017 Roh A47G 9/1081

* cited by examiner

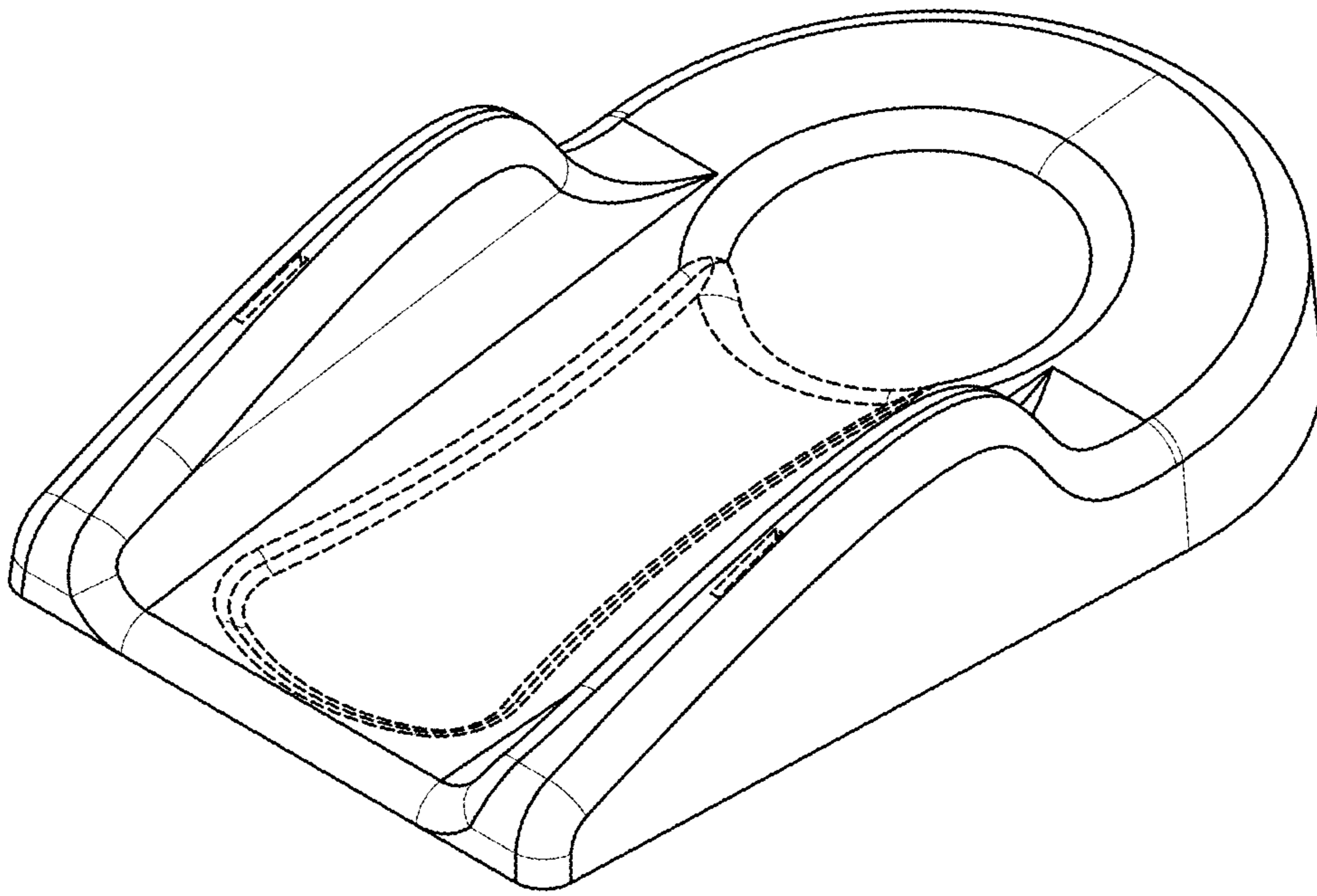


FIG. 1

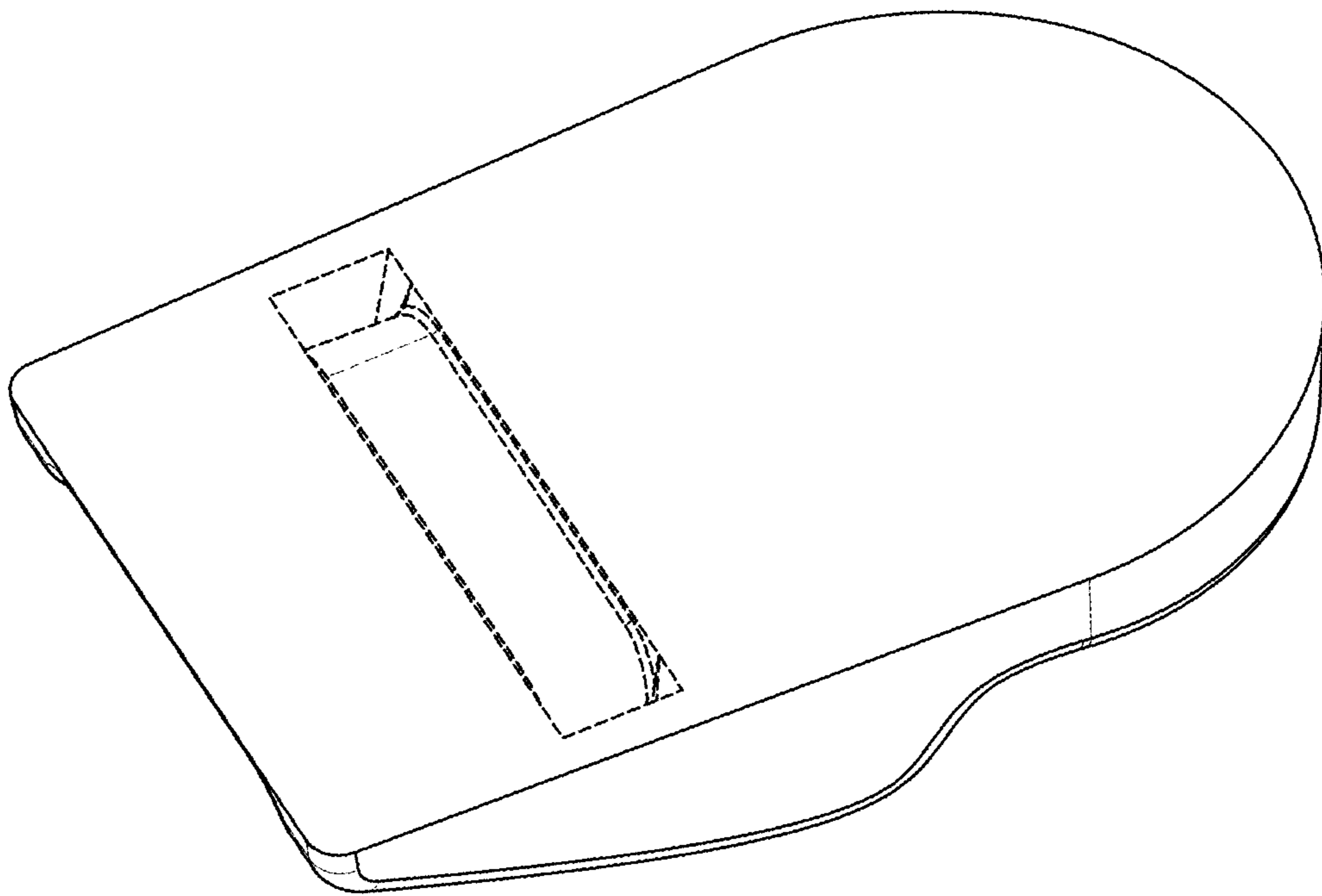


FIG. 2

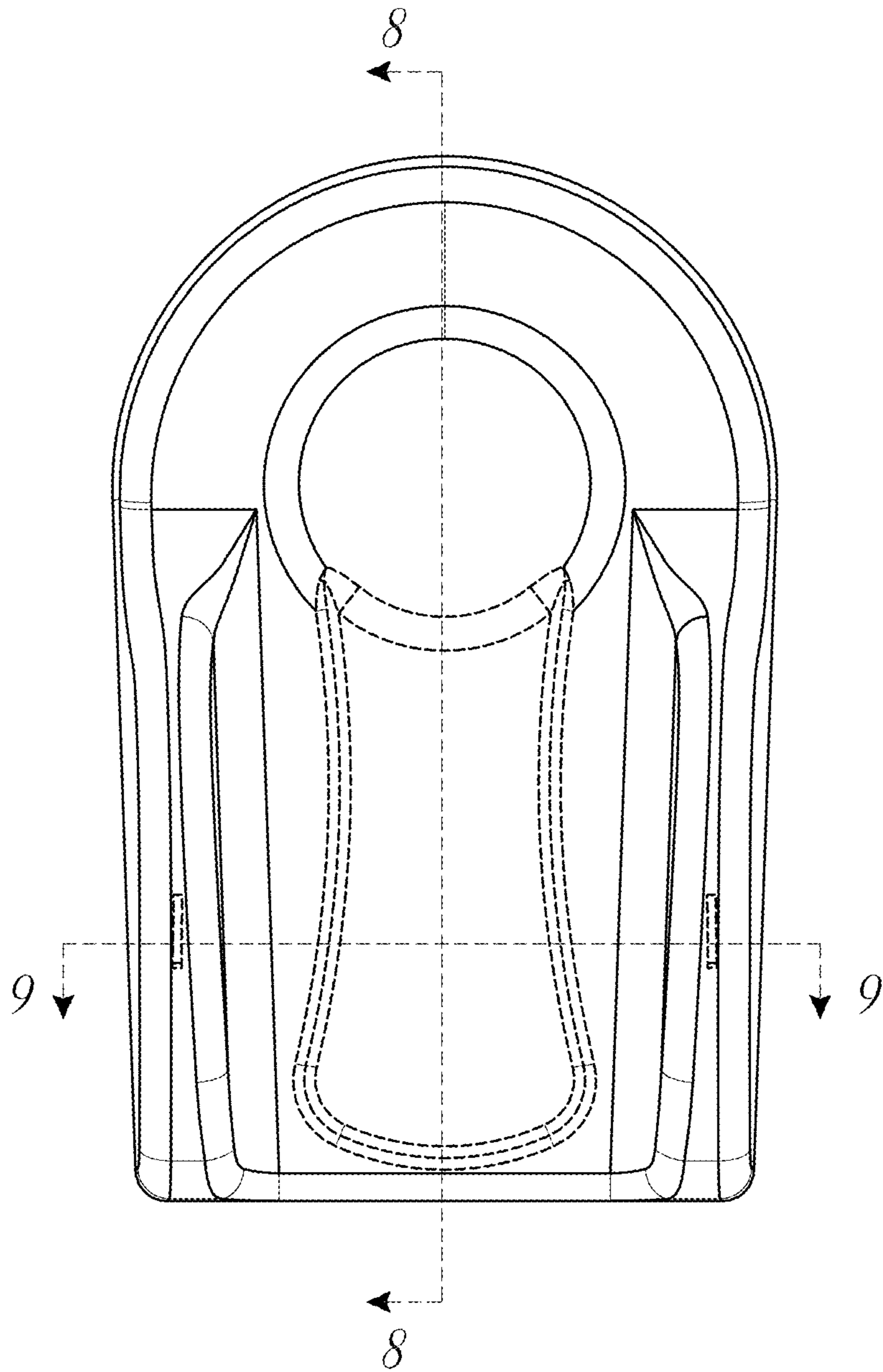


FIG. 3

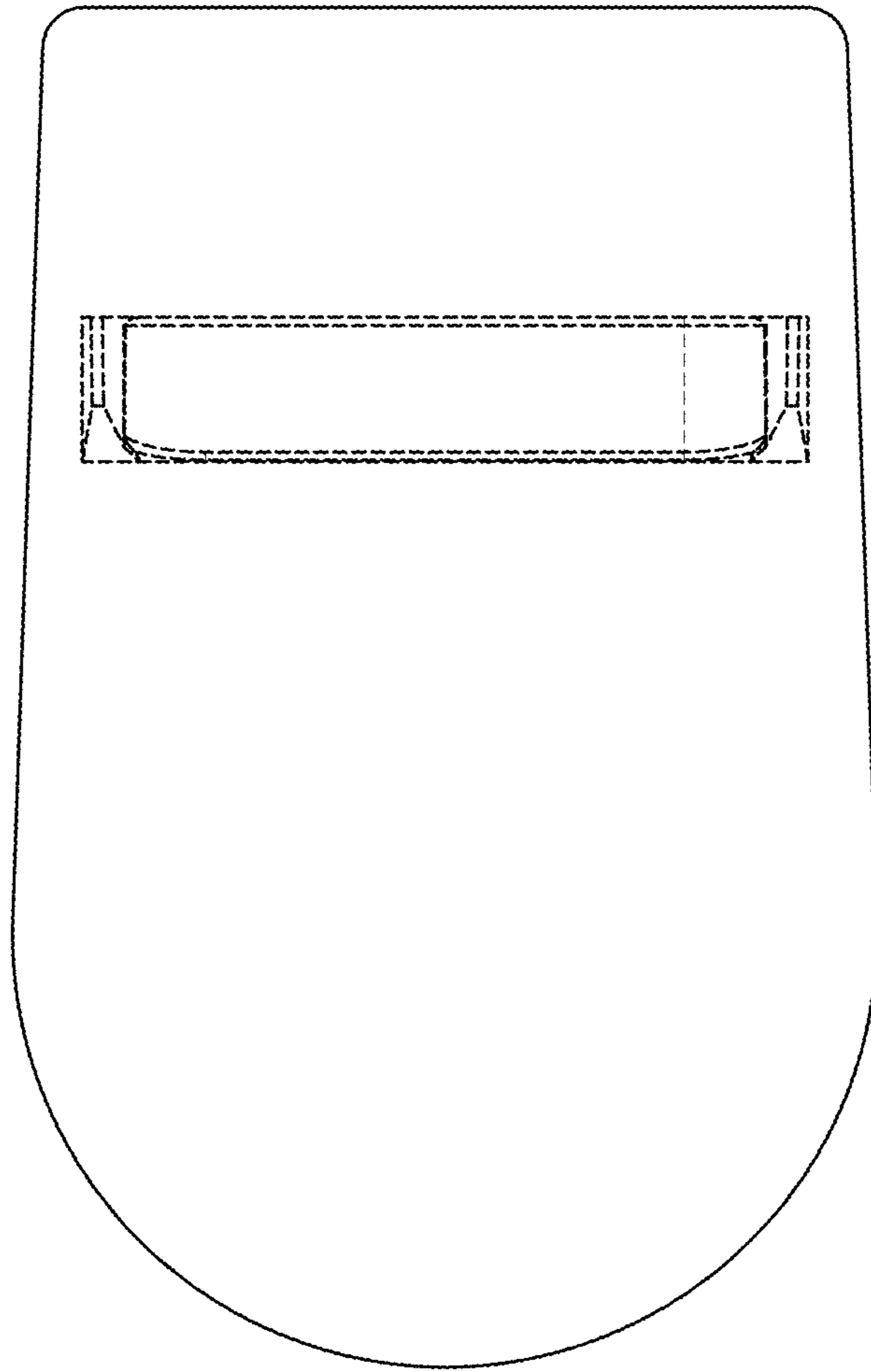


FIG. 4

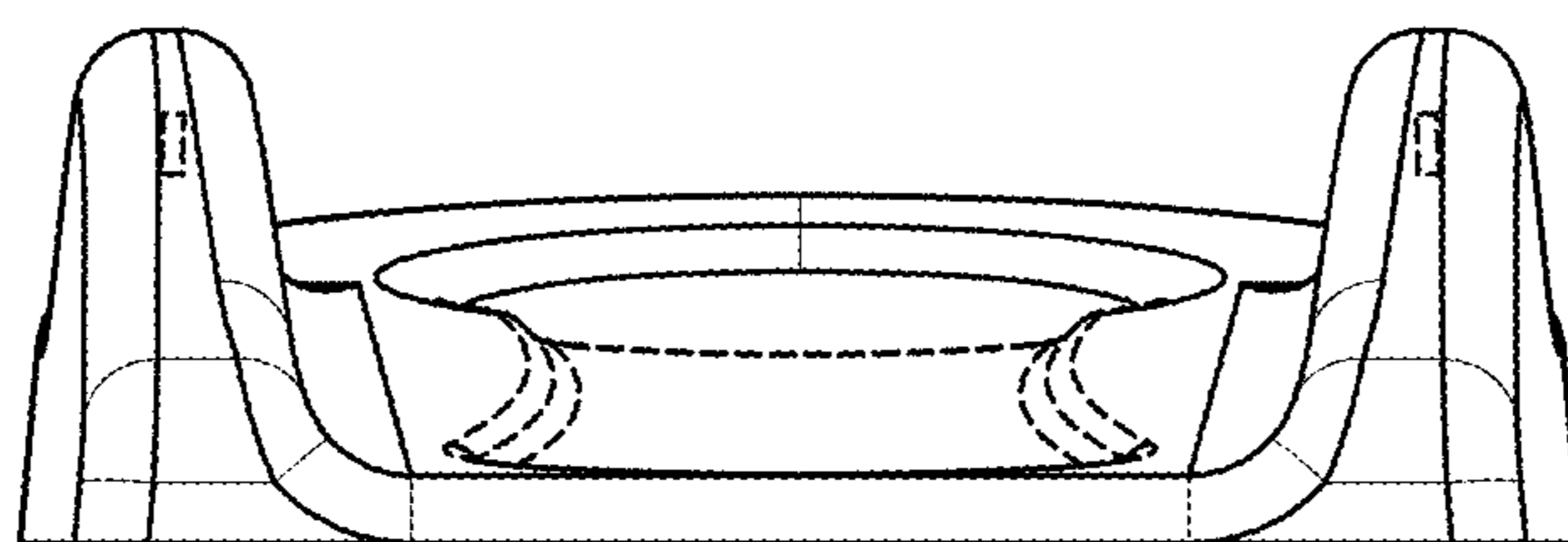


FIG. 5

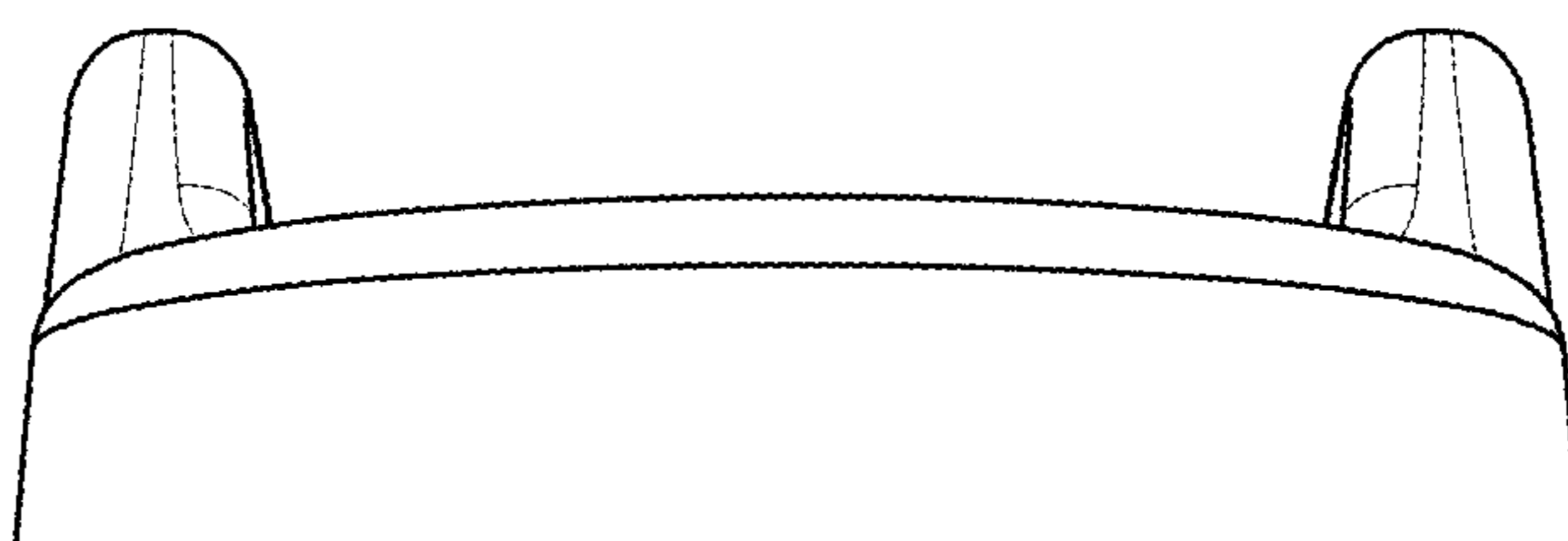


FIG. 6

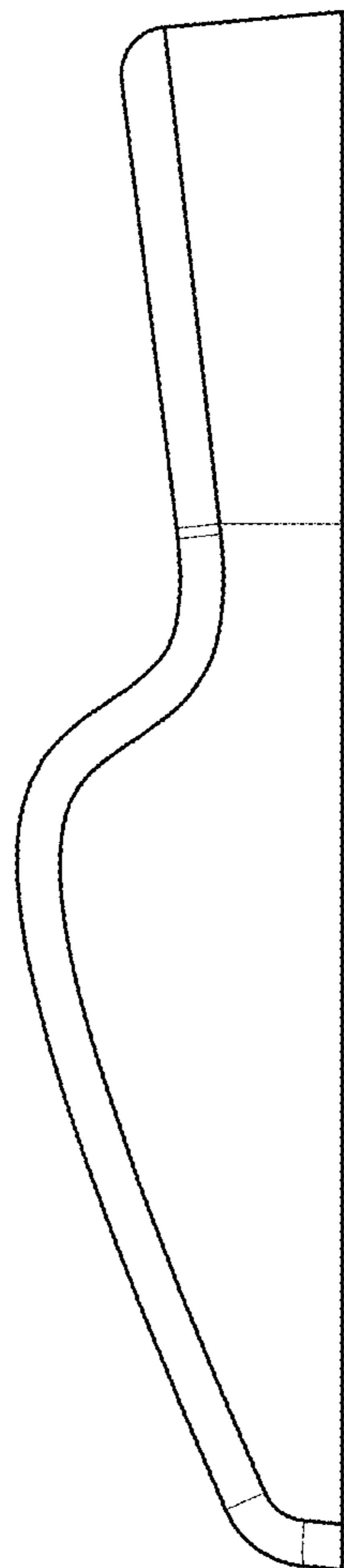


FIG. 7

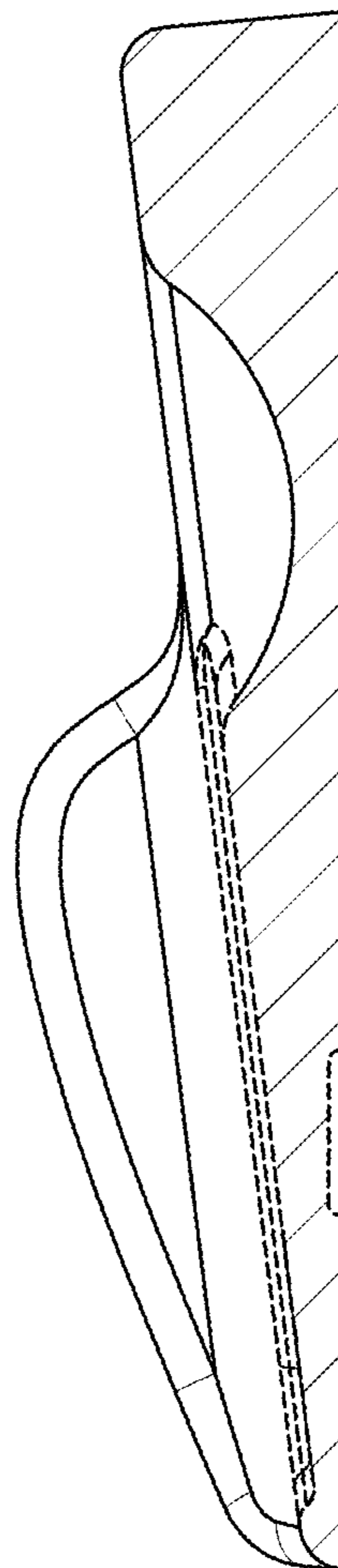


FIG. 8

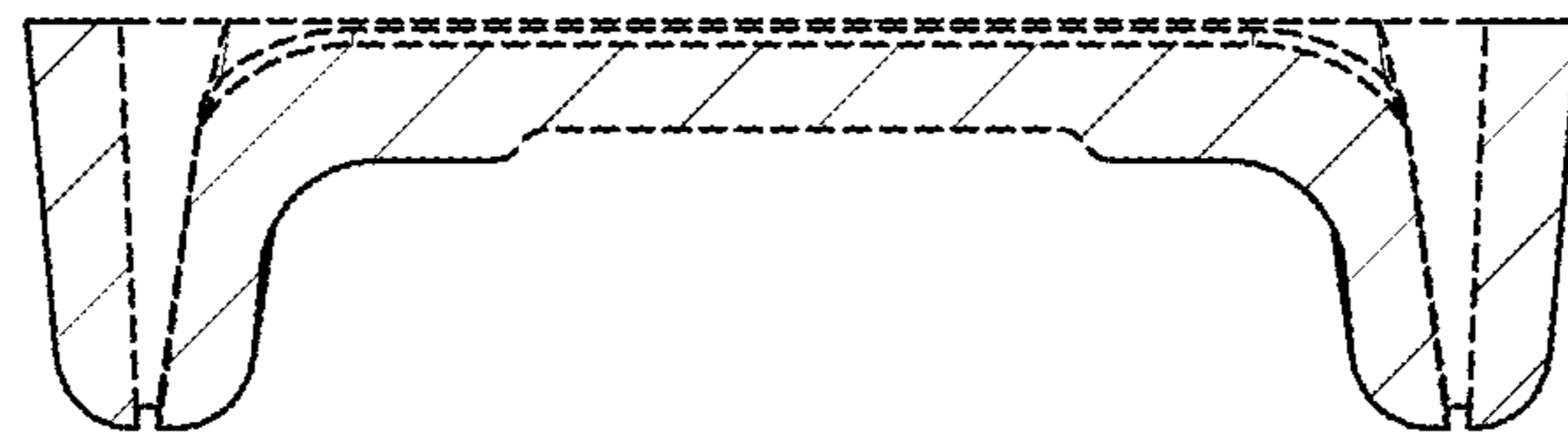


FIG. 9