

US00D800478S

(12) **United States Design Patent**
Eads

(10) **Patent No.:** **US D800,478 S**

(45) **Date of Patent:** **** Oct. 24, 2017**

(54) **SHOWER CADDY**

(71) Applicant: **DELTA FAUCET COMPANY,**
Indianapolis, IN (US)

(72) Inventor: **Thad Eads,** North Manchester, IN (US)

(73) Assignee: **DELTA FAUCET COMPANY,**
Indianapolis, IN (US)

(**) Term: **15 Years**

(21) Appl. No.: **29/551,228**

(22) Filed: **Jan. 12, 2016**

(51) **LOC (10) Cl.** **06-04**

(52) **U.S. Cl.**
USPC **D6/562**

(58) **Field of Classification Search**
USPC D6/562, 524, 525, 540, 574; 108/59;
211/13.1, 86.01, 88.01, 106, 126.1, 126.9,
211/134, 153, 182
CPC ... A47B 96/022; A47B 96/024; A47B 96/066;
A47B 96/00; A47K 3/281; A47K 3/001;
A47K 5/04; A47G 29/08
See application file for complete search history.

(56) **References Cited**

U.S. PATENT DOCUMENTS

D274,201 S * 6/1984 Aaron D6/525
D399,380 S * 10/1998 Kyle D6/562

D475,561 S * 6/2003 Suero, Jr. D6/525
D599,148 S * 9/2009 Murphy D6/562
D635,809 S * 4/2011 O'Brien D6/527
D654,745 S * 2/2012 Chuang D6/562
D657,600 S * 4/2012 Beckner D25/62
D773,854 S * 12/2016 Preston D6/562

* cited by examiner

Primary Examiner — Wan Laymon

Assistant Examiner — Mark Booker

(74) *Attorney, Agent, or Firm* — Edgar A. Zarins; Nirav D. Parikh

(57) **CLAIM**

The ornamental design for a shower caddy, as shown and described.

DESCRIPTION

FIG. 1 is a perspective view of a shower caddy showing my new design;
FIG. 2 is a first side view thereof, the opposite side being a mirror image of the side shown;
FIG. 3 is a top plan view thereof;
FIG. 4 is a front view thereof;
FIG. 5 is a bottom view thereof; and,
FIG. 6 is a rear perspective view thereof.
The broken line showing in the figures is included for the purpose of illustrating portions of the shower caddy and form no part of the claimed design.

1 Claim, 2 Drawing Sheets

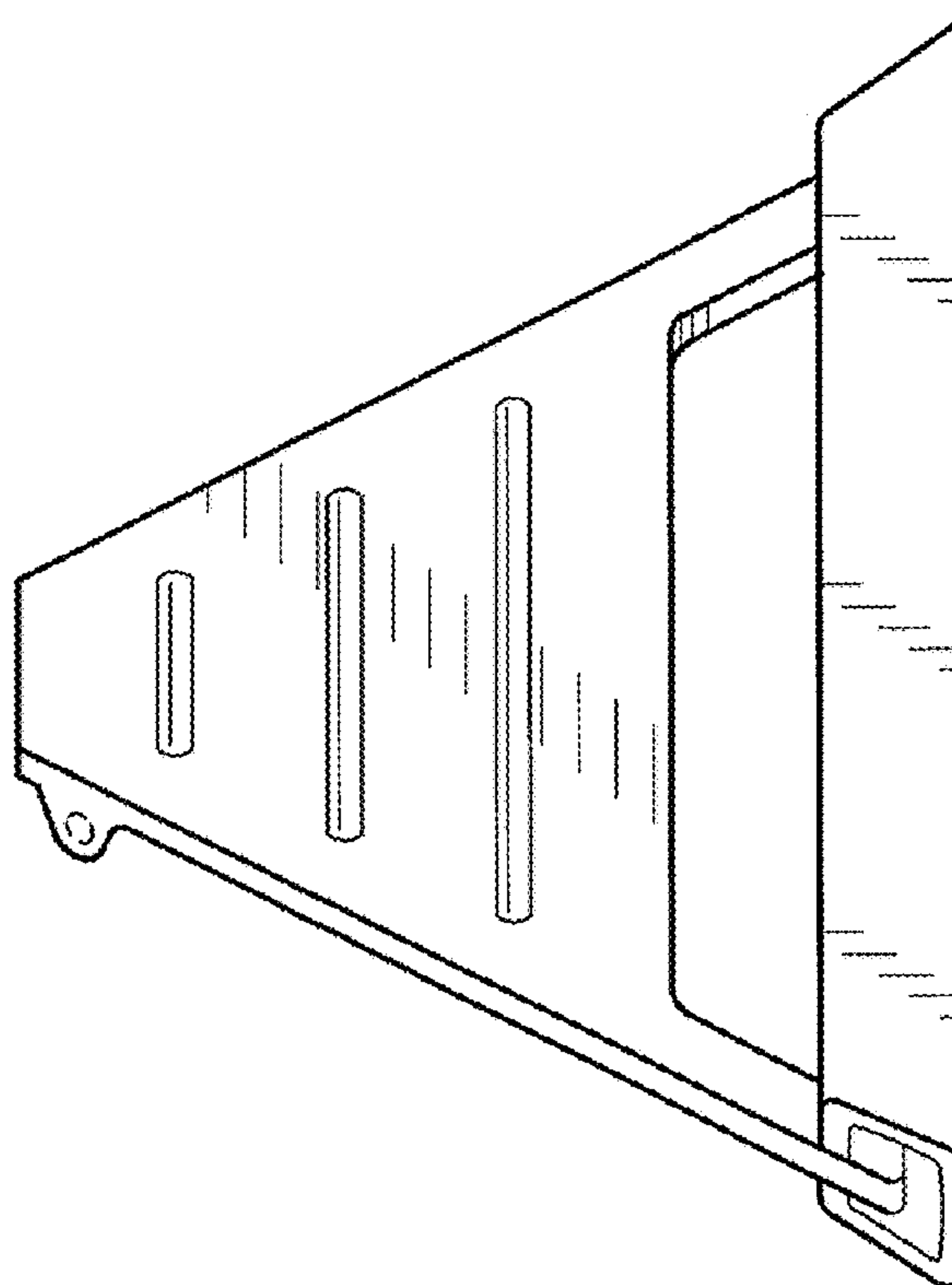


Fig-1

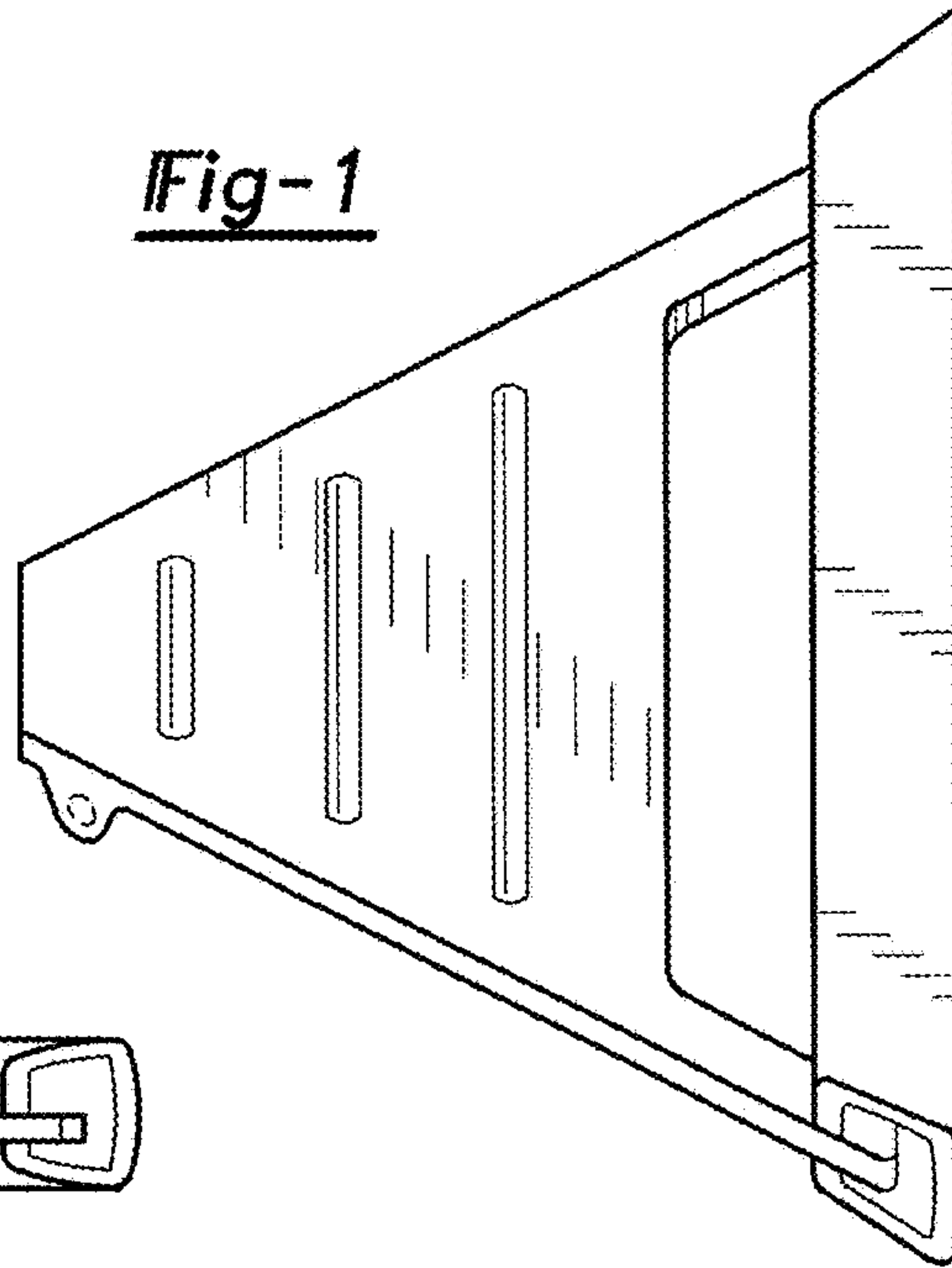


Fig-2

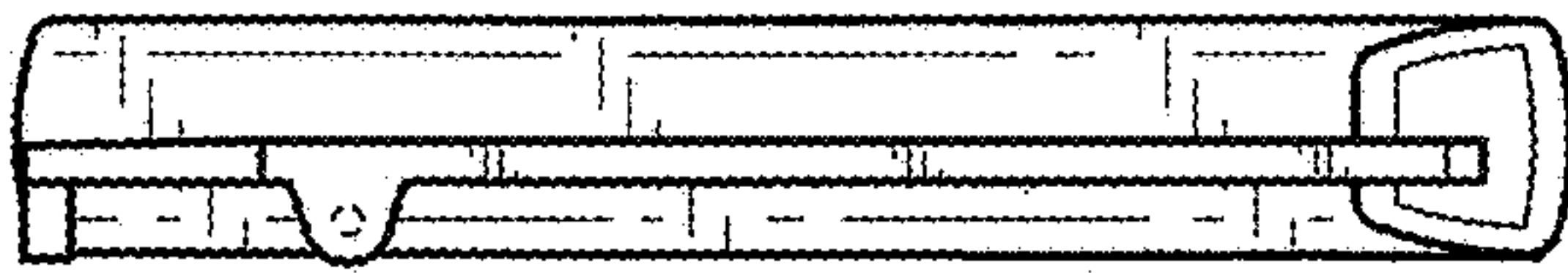


Fig-3

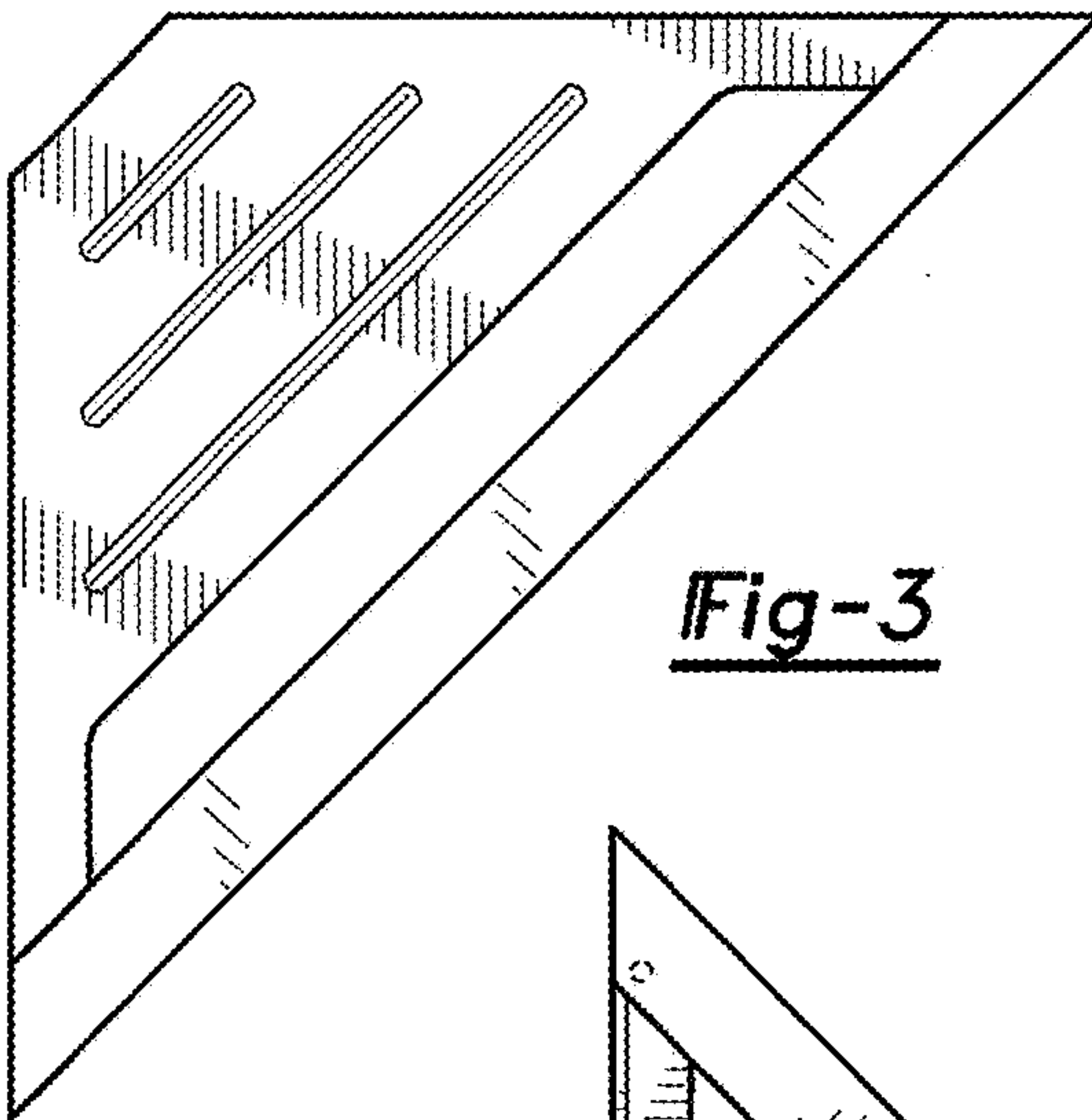


Fig-4

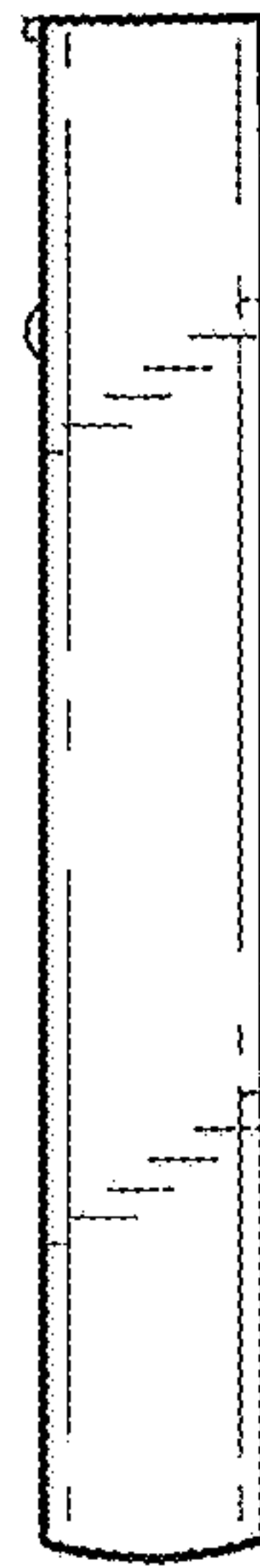
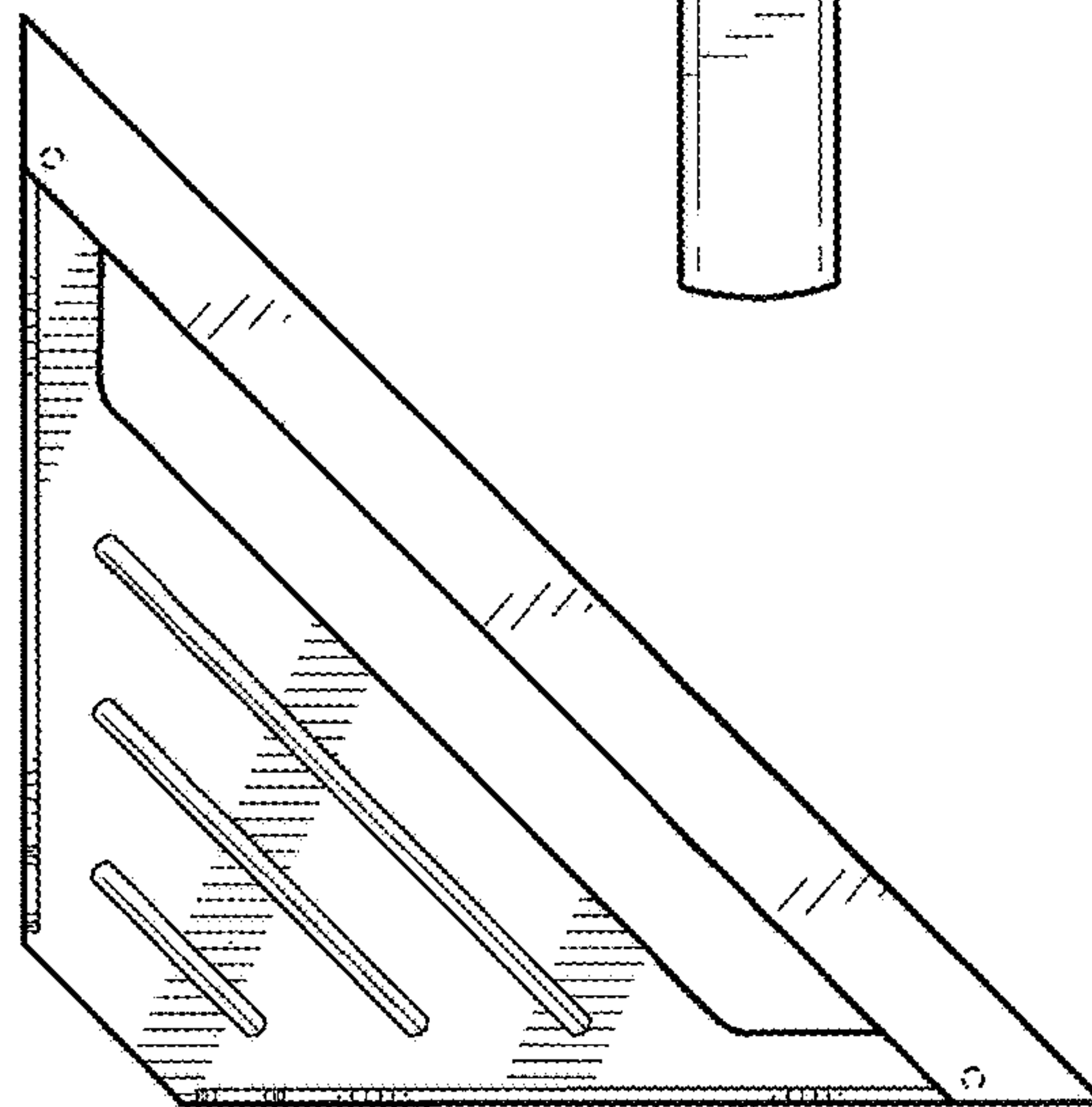


Fig-5



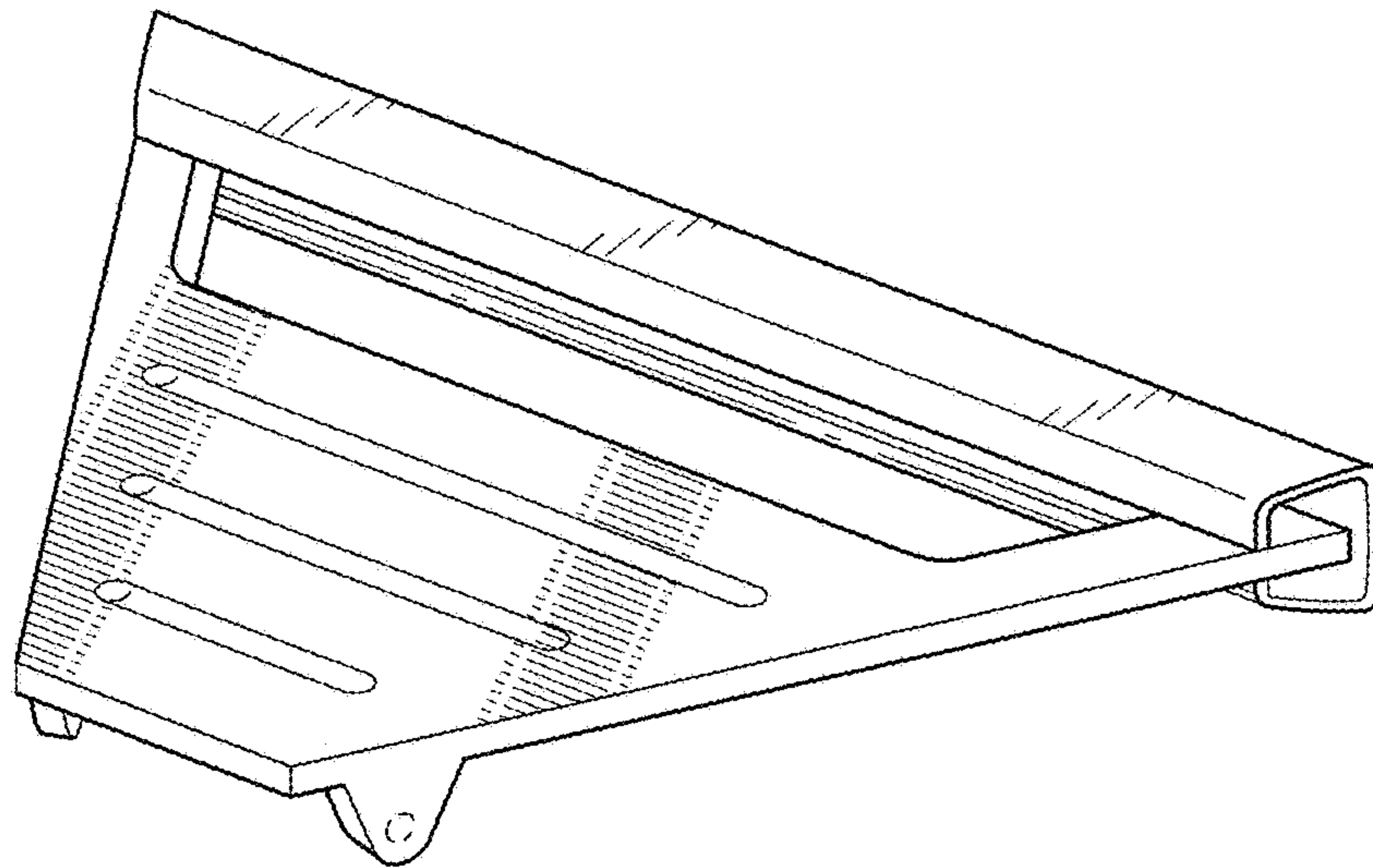


Fig-6