



US00D800477S

(12) **United States Design Patent** (10) **Patent No.:** **US D800,477 S**  
**Wall** (45) **Date of Patent:** **\*\* Oct. 24, 2017**

(54) **PIN APPARATUS FOR A PEGBOARD**  
(71) Applicant: **Francis Wall**, Denmark, WI (US)  
(72) Inventor: **Francis Wall**, Denmark, WI (US)  
(73) Assignee: **Francis Wall**, Denmark, WI (US)  
(\*\*) Term: **15 Years**

6,146,167 A \* 11/2000 Kutsch ..... H04Q 1/142  
439/188  
D498,005 S \* 11/2004 Winig ..... D25/152  
D499,195 S 11/2004 Winig et al.  
7,357,669 B2 4/2008 Gabet  
D600,291 S \* 9/2009 Christensen ..... D21/501  
D682,357 S \* 5/2013 Scollin ..... D20/23  
D755,592 S \* 5/2016 Bullard ..... D8/17  
D771,409 S \* 11/2016 Wall ..... D6/553

\* cited by examiner

(21) Appl. No.: **29/567,227**  
(22) Filed: **Jun. 7, 2016**

*Primary Examiner* — Wan Laymon  
*Assistant Examiner* — Mark Booker  
(74) *Attorney, Agent, or Firm* — Andrus Intellectual Property Law, LLP

**Related U.S. Application Data**

(62) Division of application No. 29/518,899, filed on Feb. 27, 2015, now Pat. No. Des. 771,409.  
(51) **LOC (10) Cl.** ..... **06-04**  
(52) **U.S. Cl.**  
USPC ..... **D6/553**  
(58) **Field of Classification Search**  
USPC ... D6/553, 566, 571, 572, 511, 601, 707.22;  
D25/58, 138, 153, 156, 152, 155;  
211/87.01, 90.04; 248/220.31;  
D8/21–28, 1, 382; D9/418; D20/23, 43;  
D21/484, 502, 503  
CPC .. A47K 1/09; F16B 2/06; F16B 21/02; F16M  
13/02; F16M 11/041; F16M 13/00  
See application file for complete search history.

(57) **CLAIM**

The ornamental design for a pin apparatus for a pegboard, as shown and described.

**DESCRIPTION**

FIG. 1 is a perspective view of an embodiment of a pin apparatus for a pegboard according to the invention; FIG. 2 is a perspective view of invention shown in FIG. 1; FIG. 3 is a front view of the invention shown in FIG. 1; FIG. 4 is a top view of the invention shown in FIG. 1; FIG. 5 is a bottom view of the invention shown in FIG. 1; FIG. 6 is a right side view of the invention shown in FIG. 1; FIG. 7 is a left side view of the invention shown in FIG. 1; FIG. 8 is a rear view of the invention shown in FIG. 1; and, FIGS. 9-13 are perspective views of the invention shown in FIG. 1 in various environments.

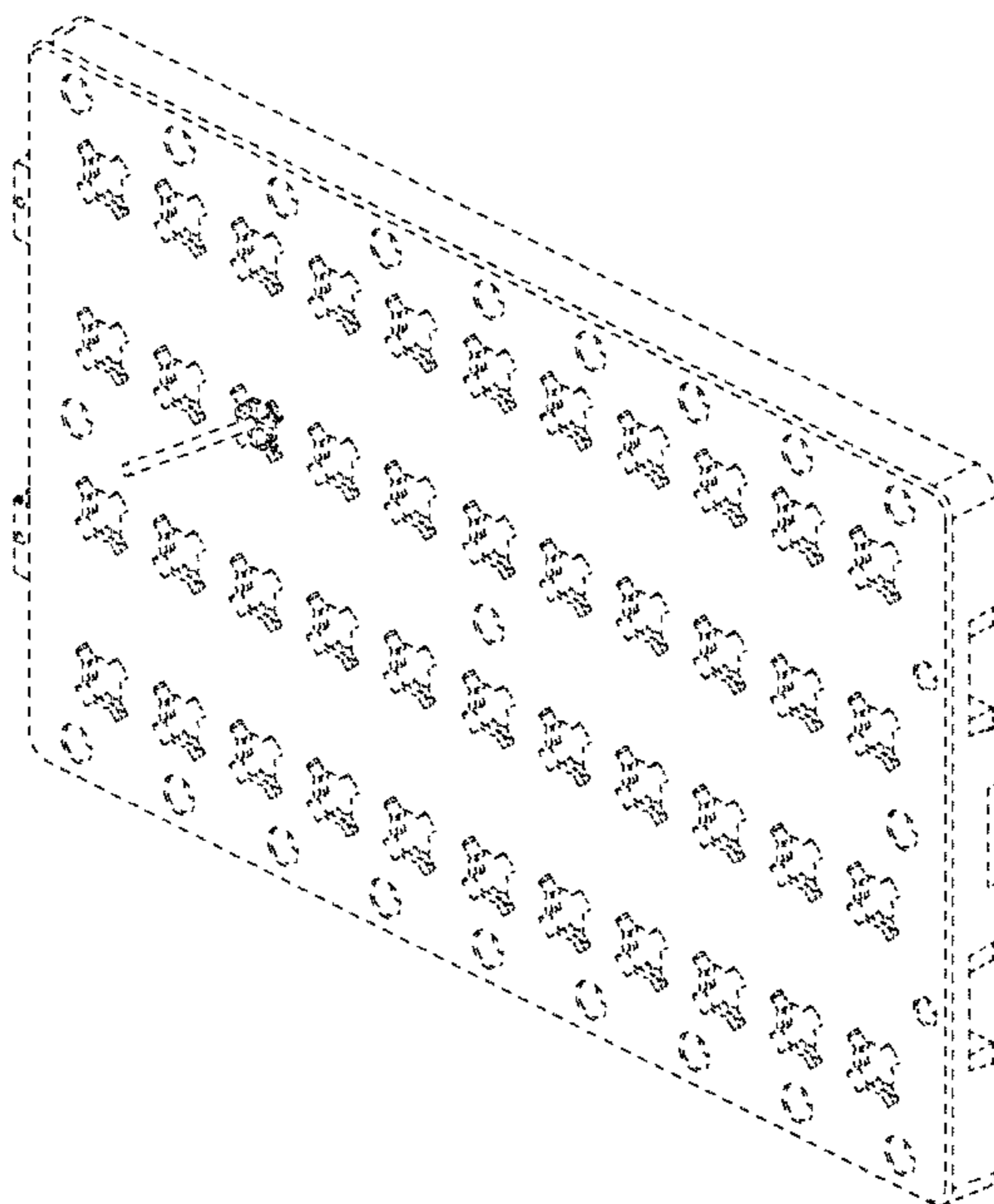
The broken lines shown in the figures represent portions of the pin apparatus for a pegboard article that form no part of the claimed design.

**1 Claim, 5 Drawing Sheets**

(56) **References Cited**

**U.S. PATENT DOCUMENTS**

3,255,987 A 6/1966 Gatch  
3,407,454 A 10/1968 Myatt  
3,443,783 A 5/1969 Fisher  
3,800,369 A 4/1974 Nikolits et al.  
4,527,760 A 7/1985 Salacuse



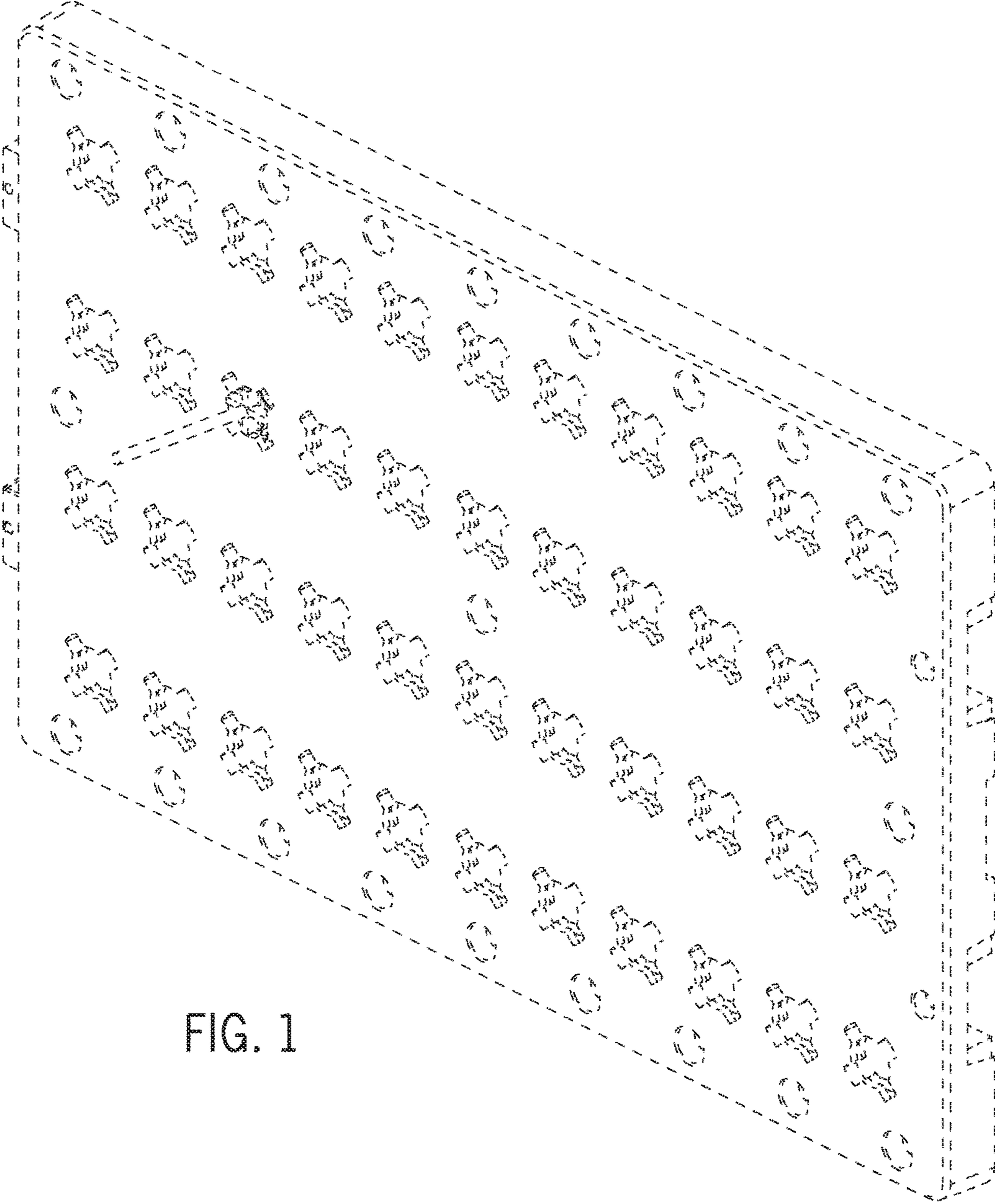


FIG. 1

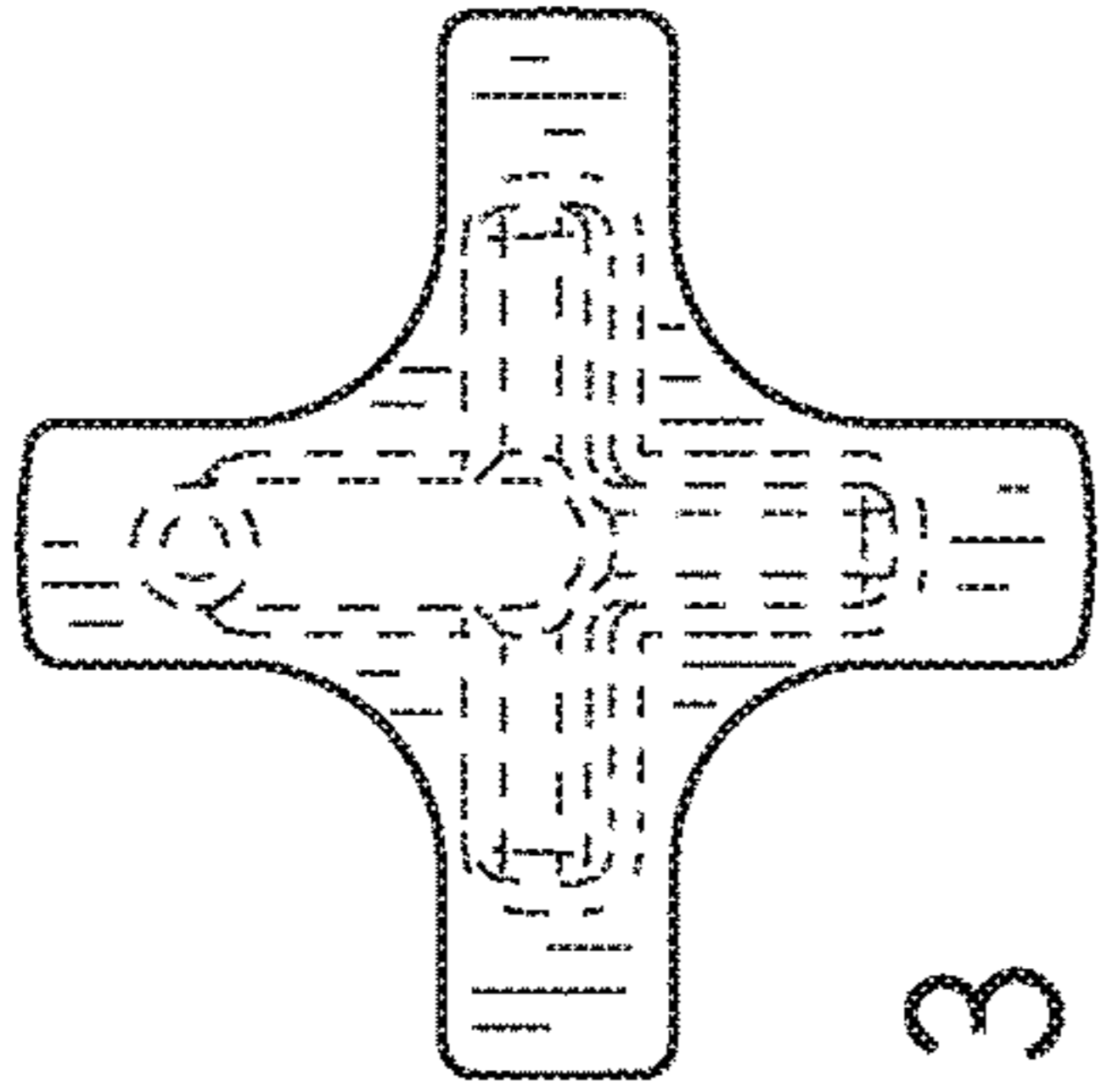


FIG. 3

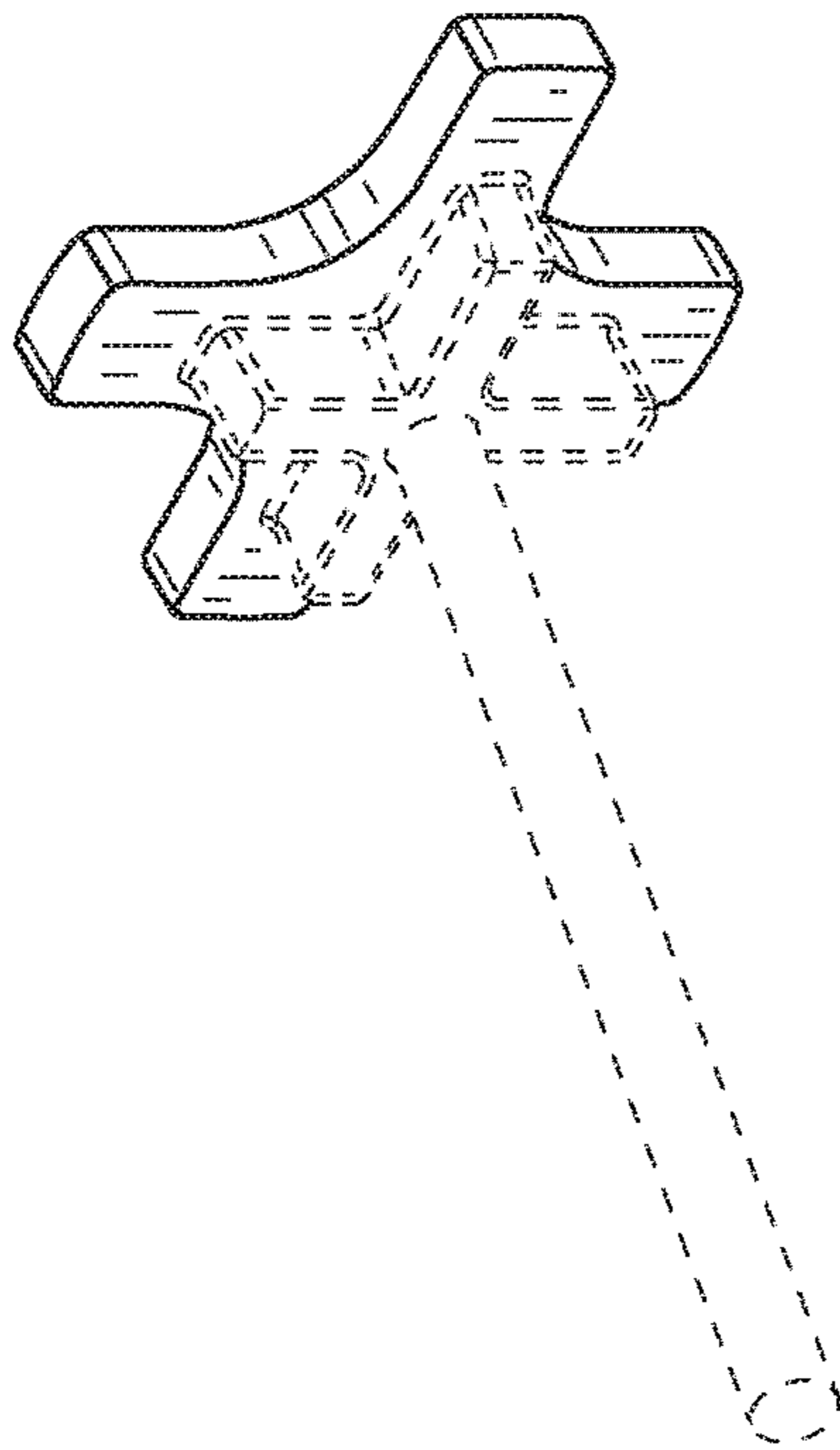


FIG. 2

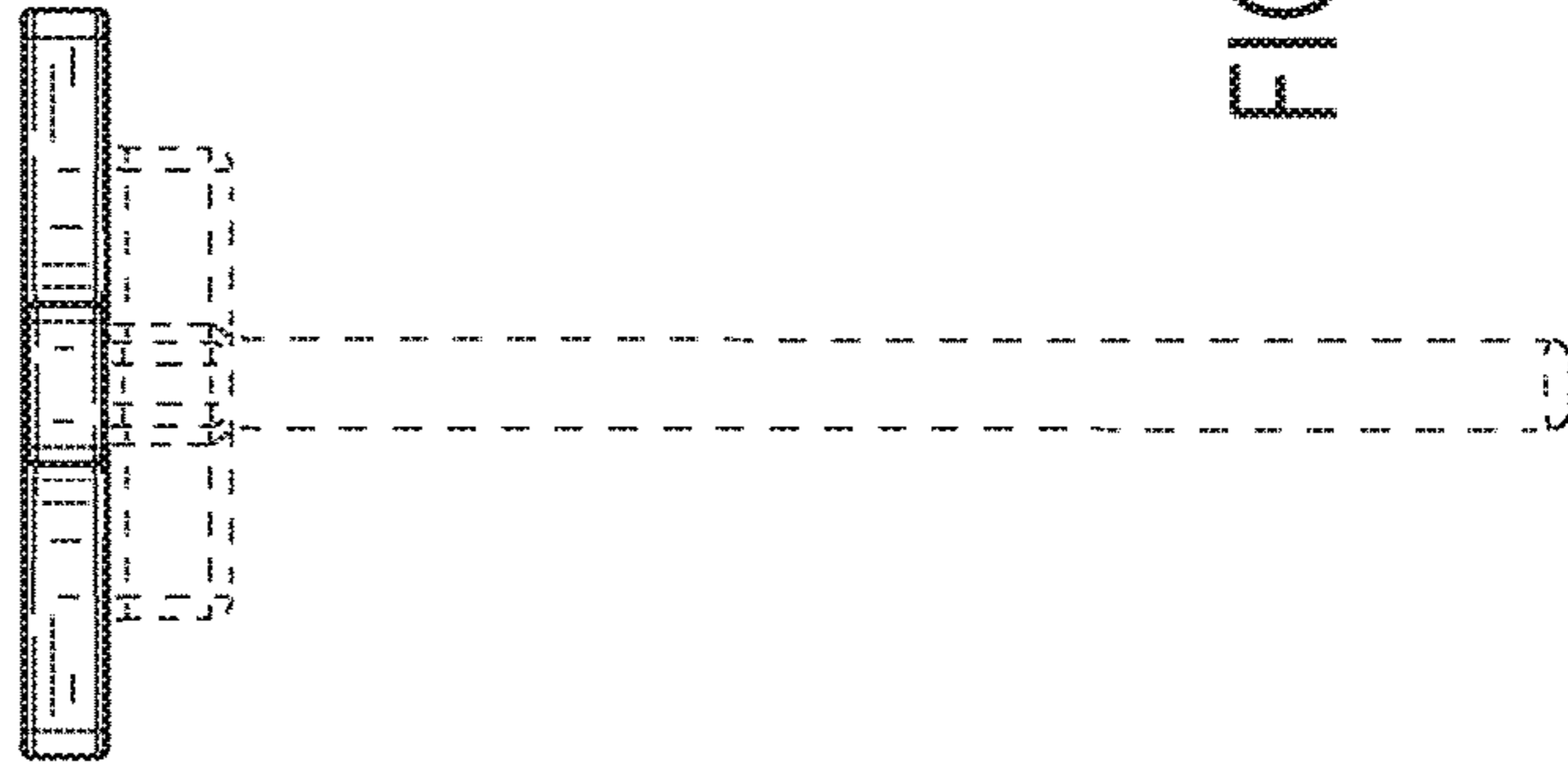


FIG. 5

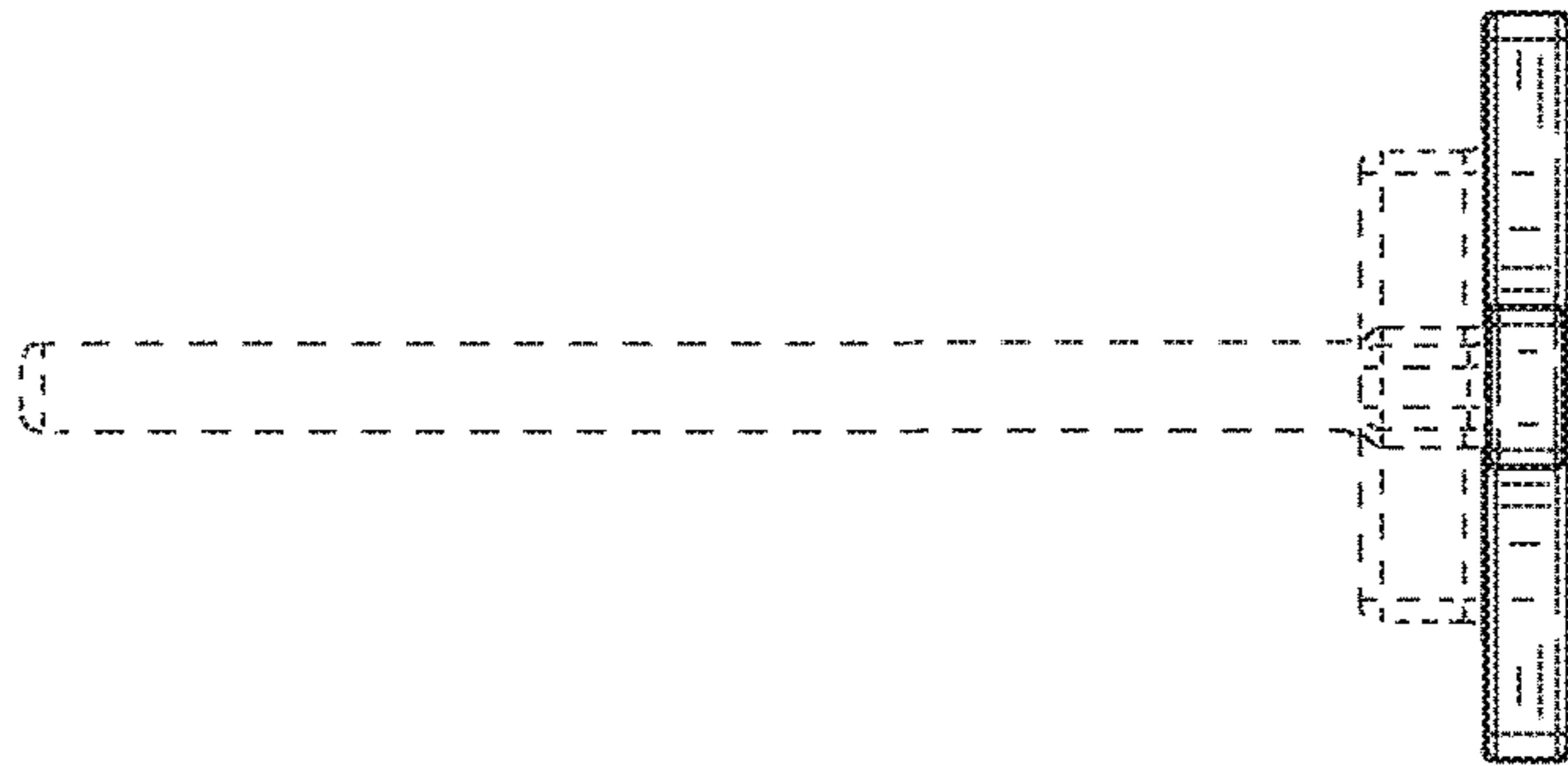


FIG. 4

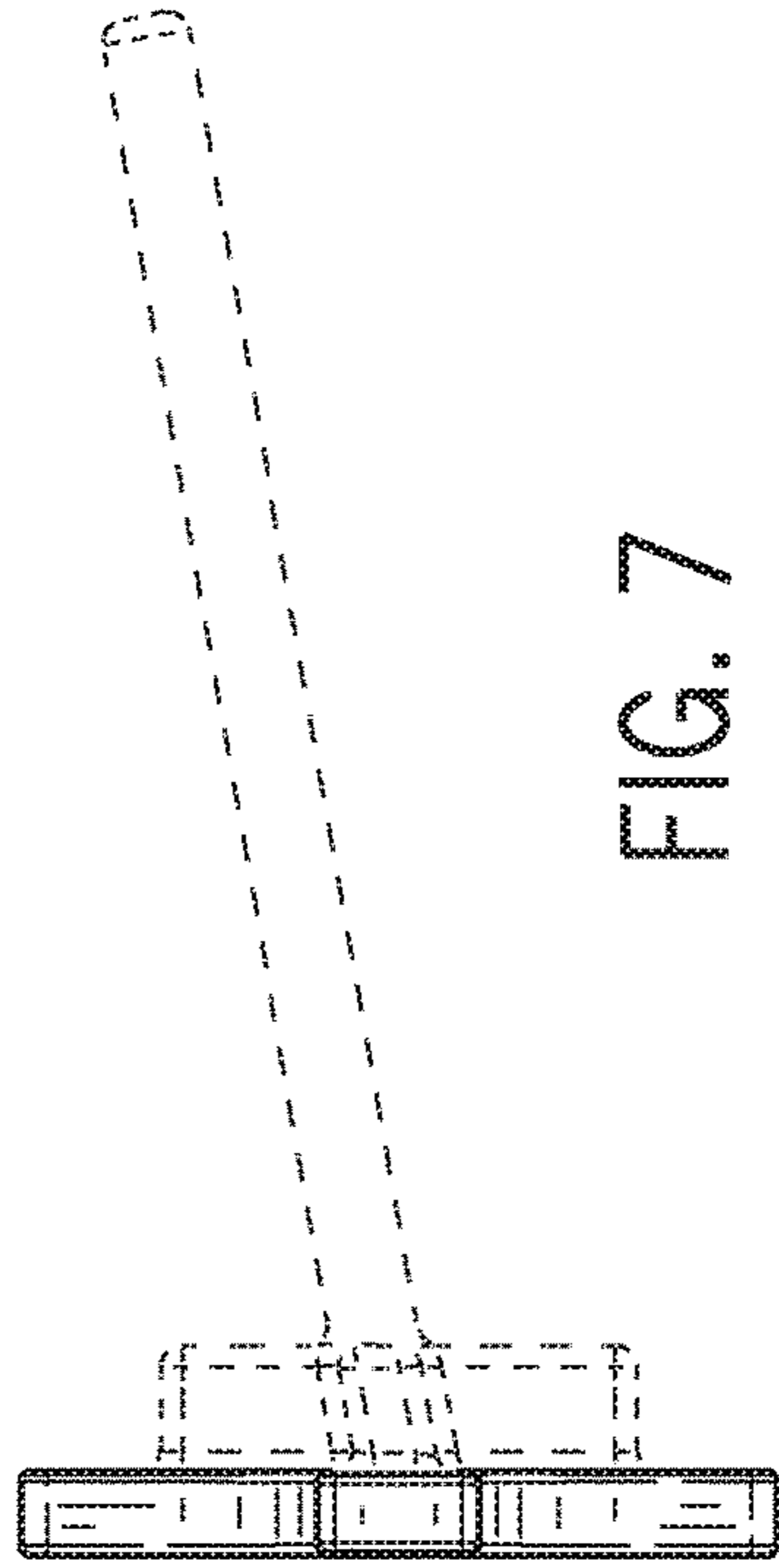


FIG. 6

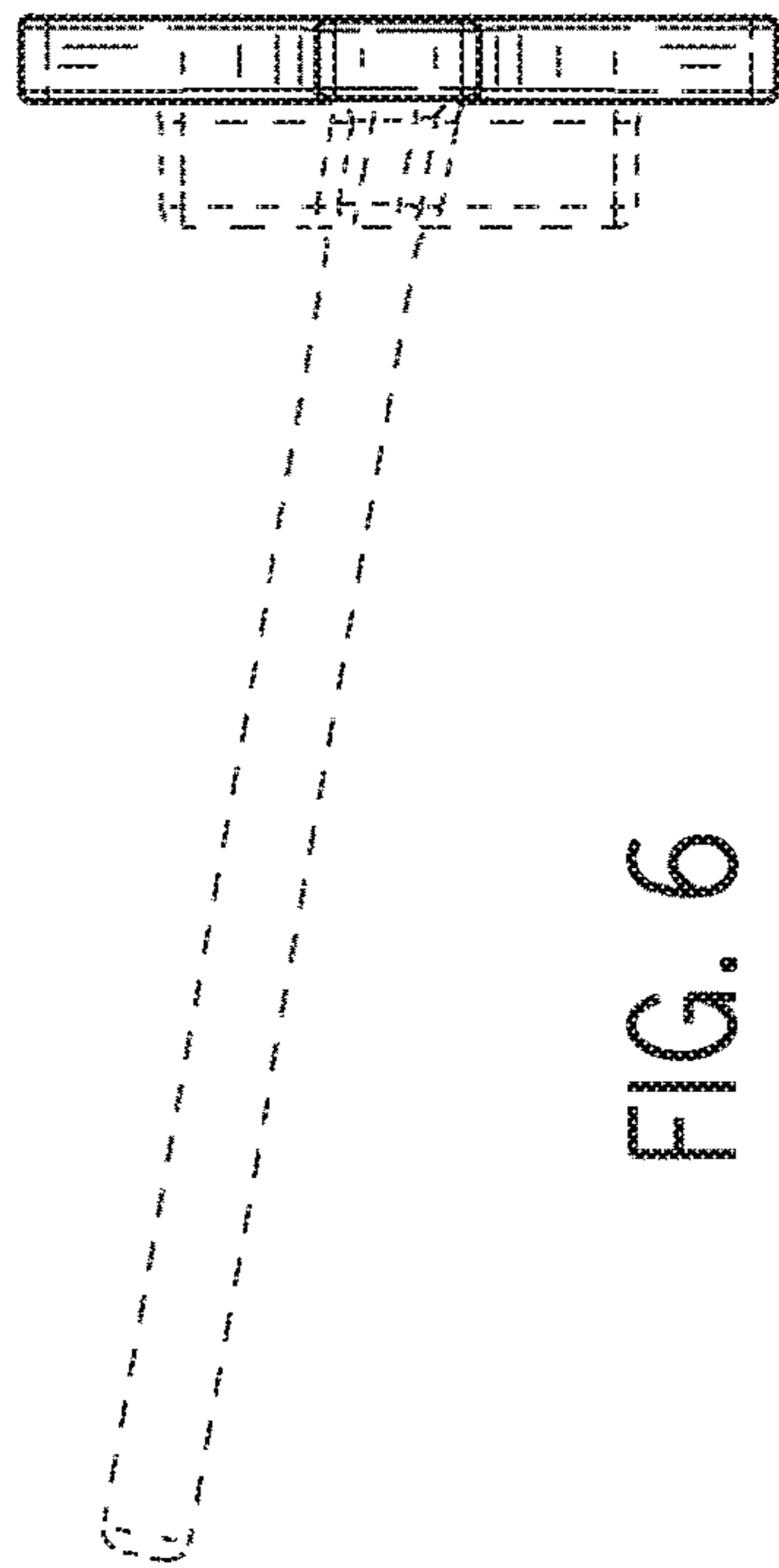


FIG. 7

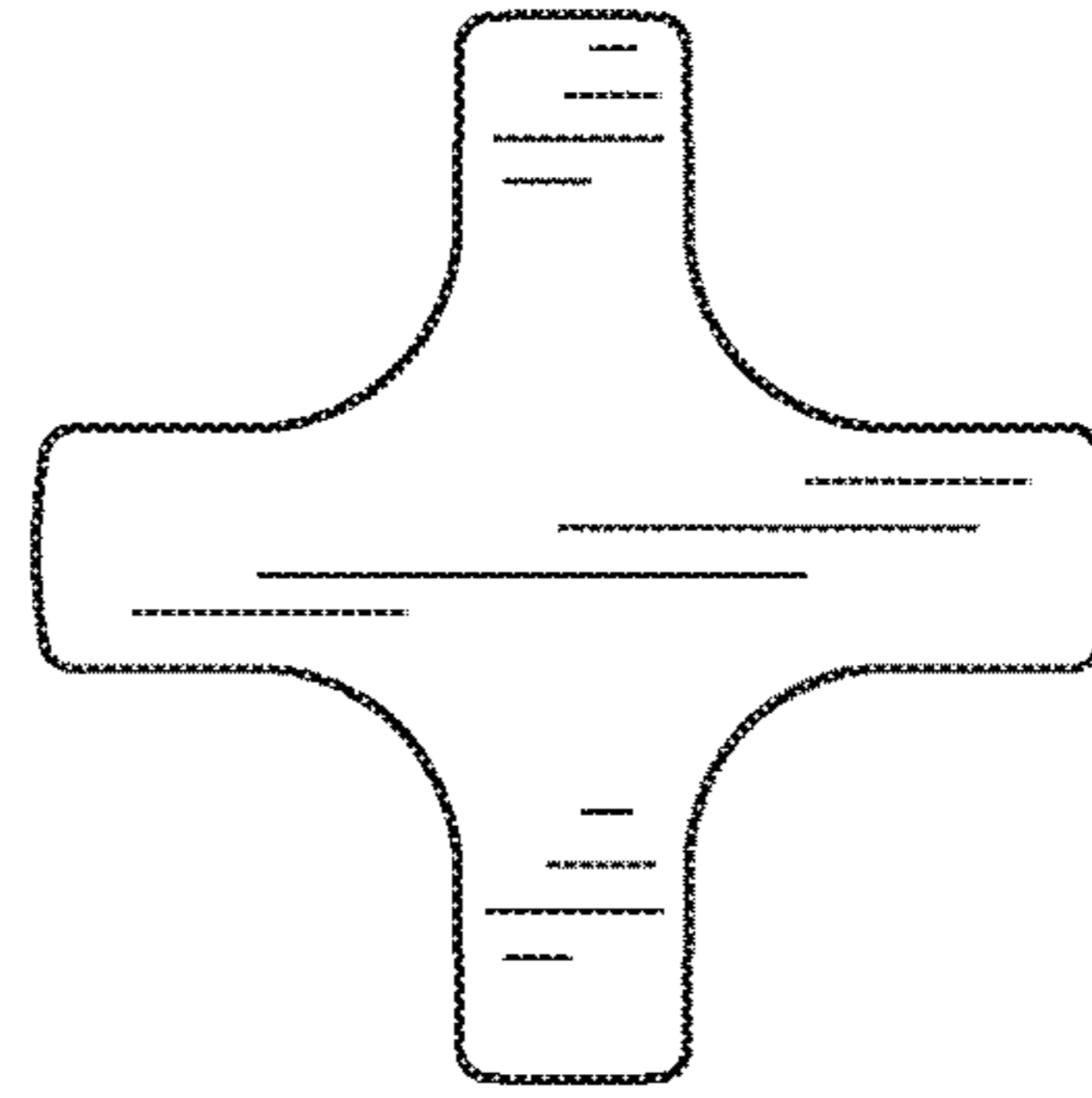


FIG. 8

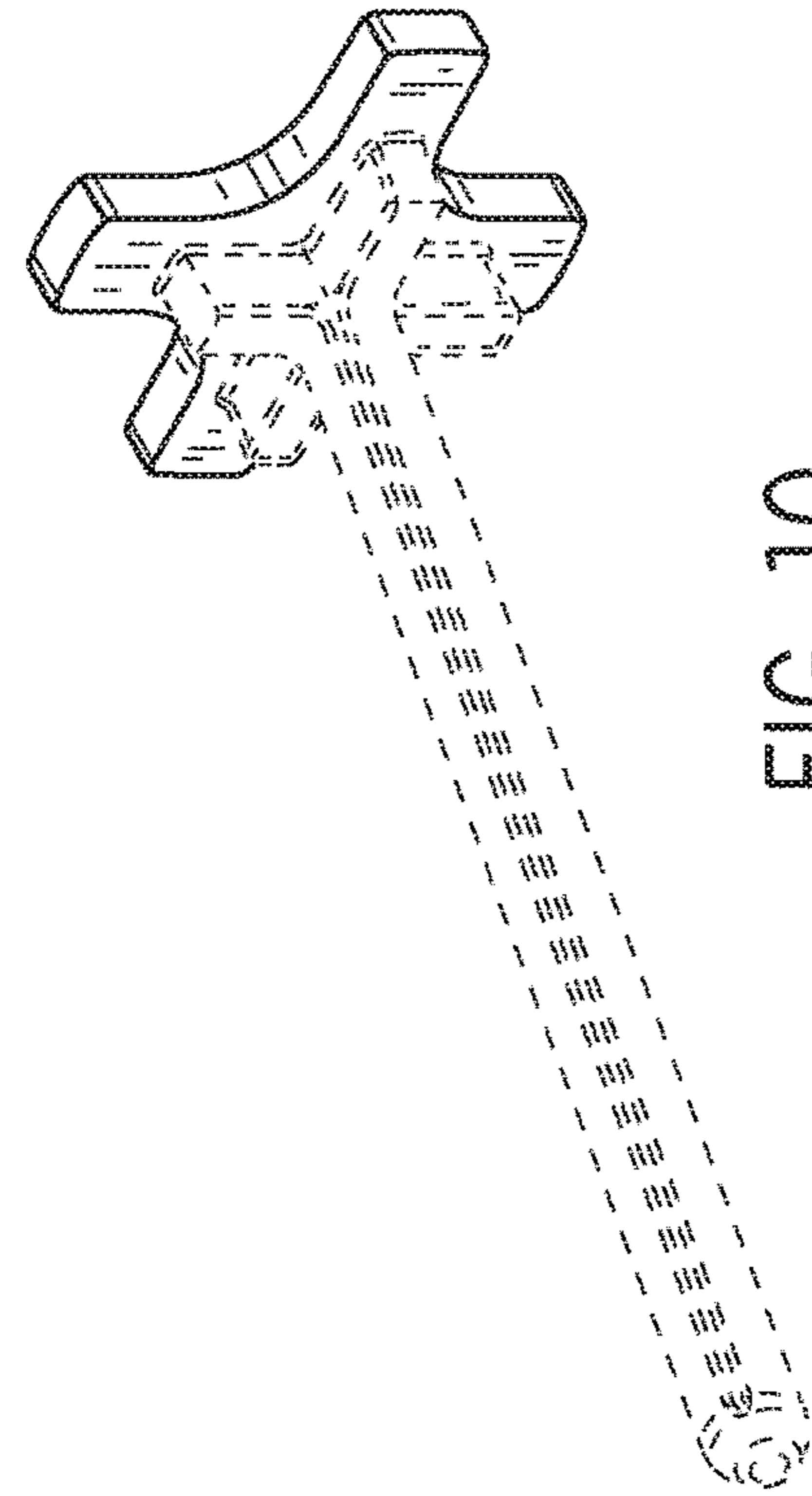


FIG. 9

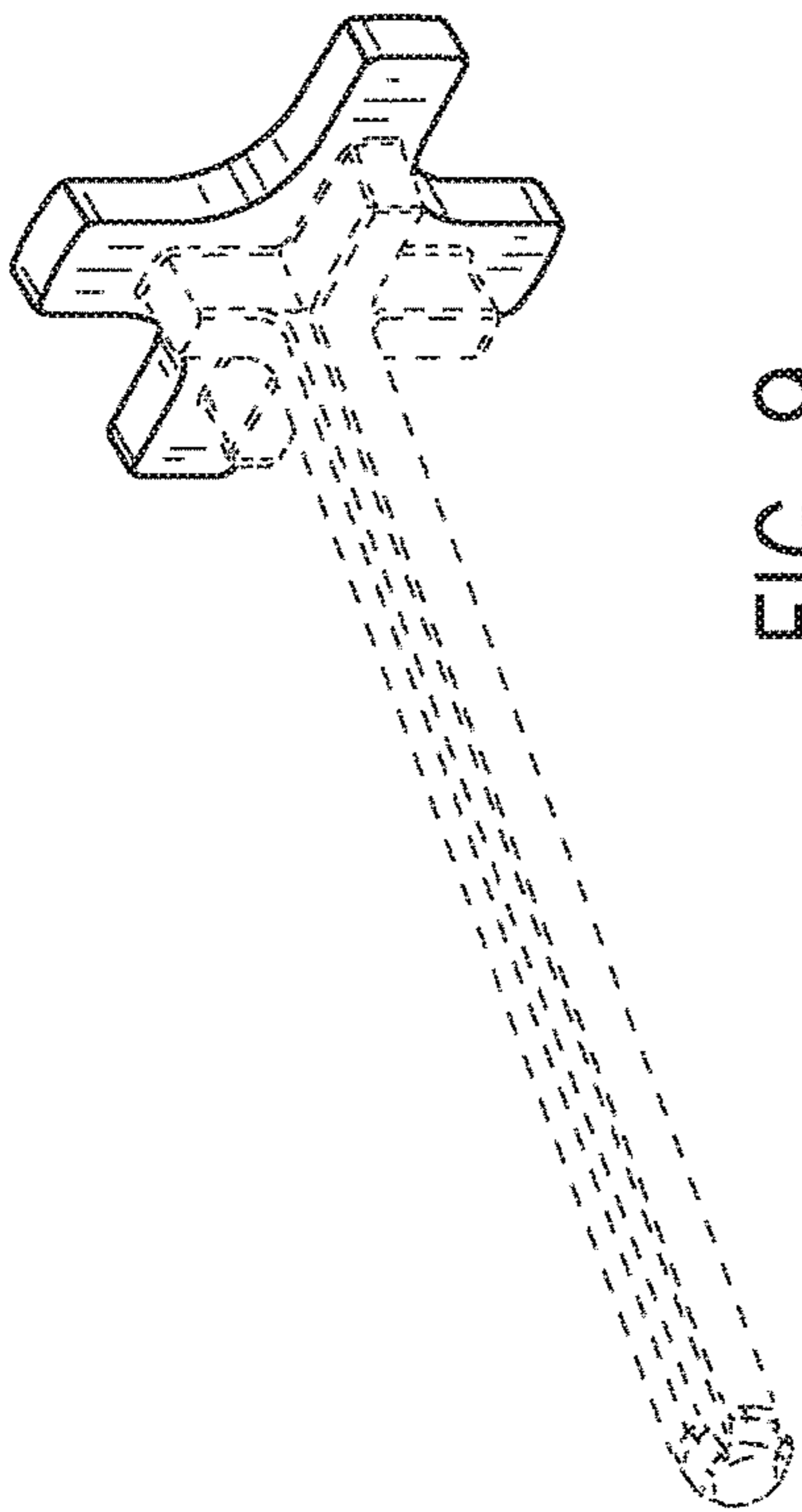


FIG. 10

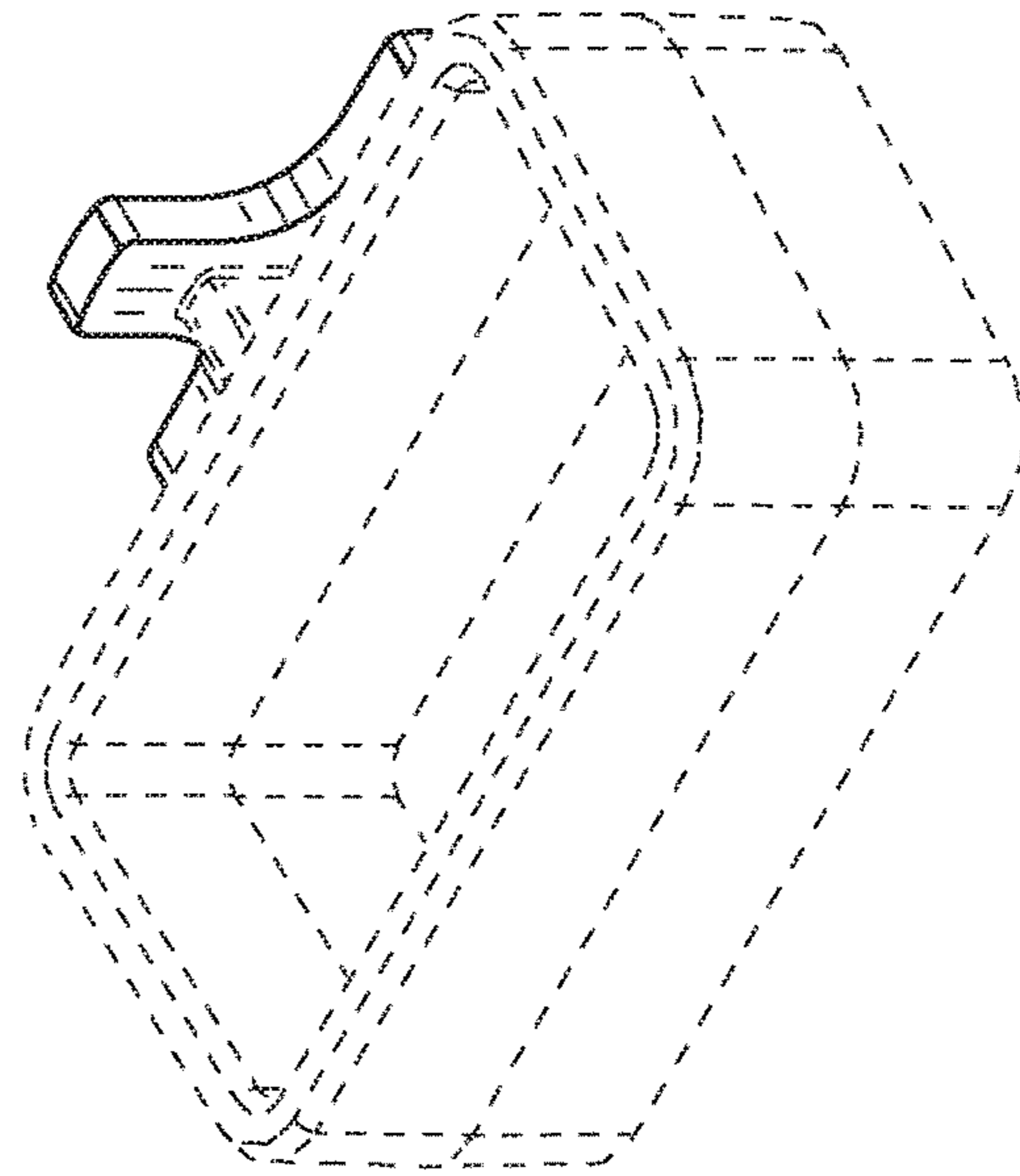


FIG. 11

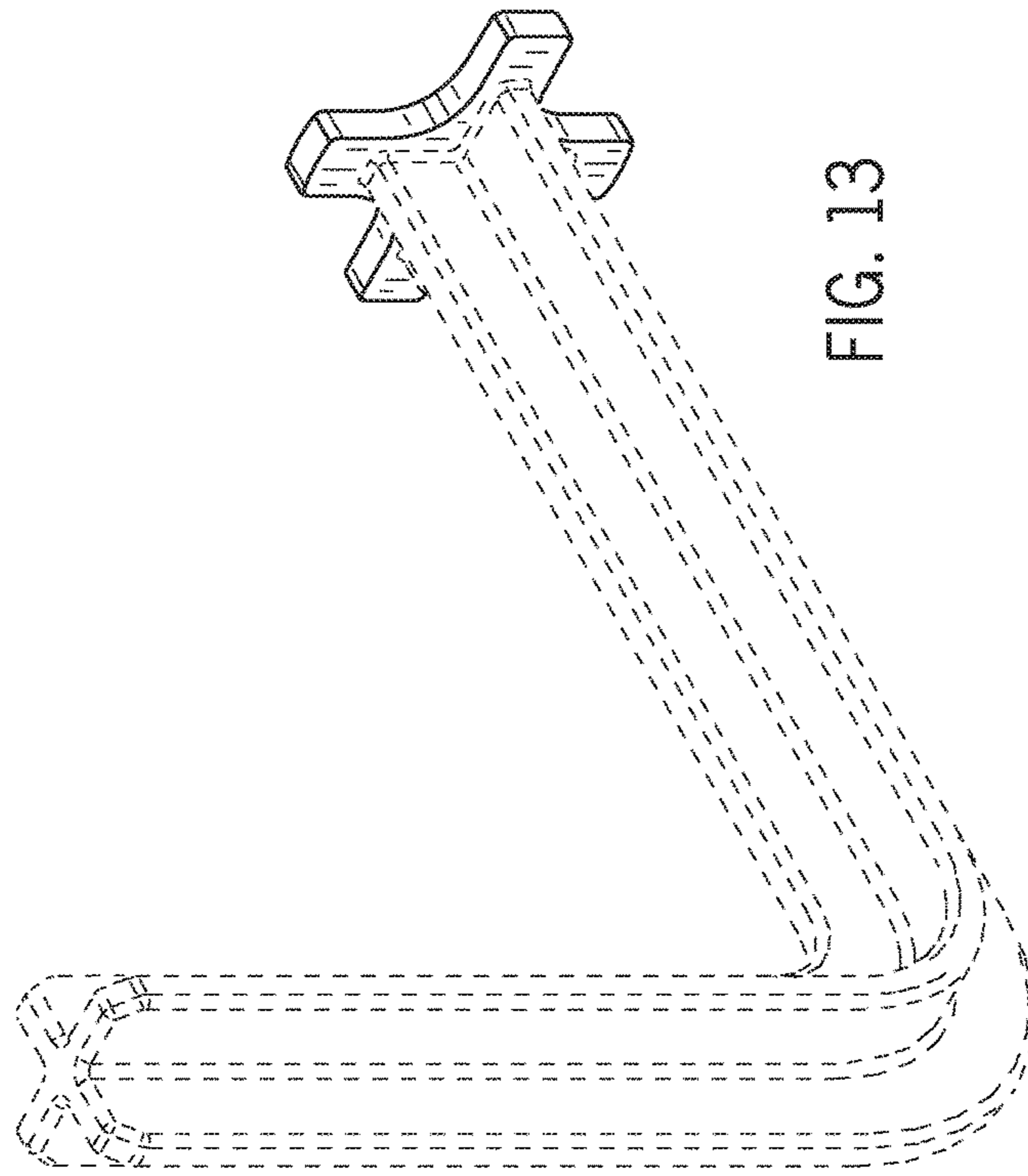


FIG. 13

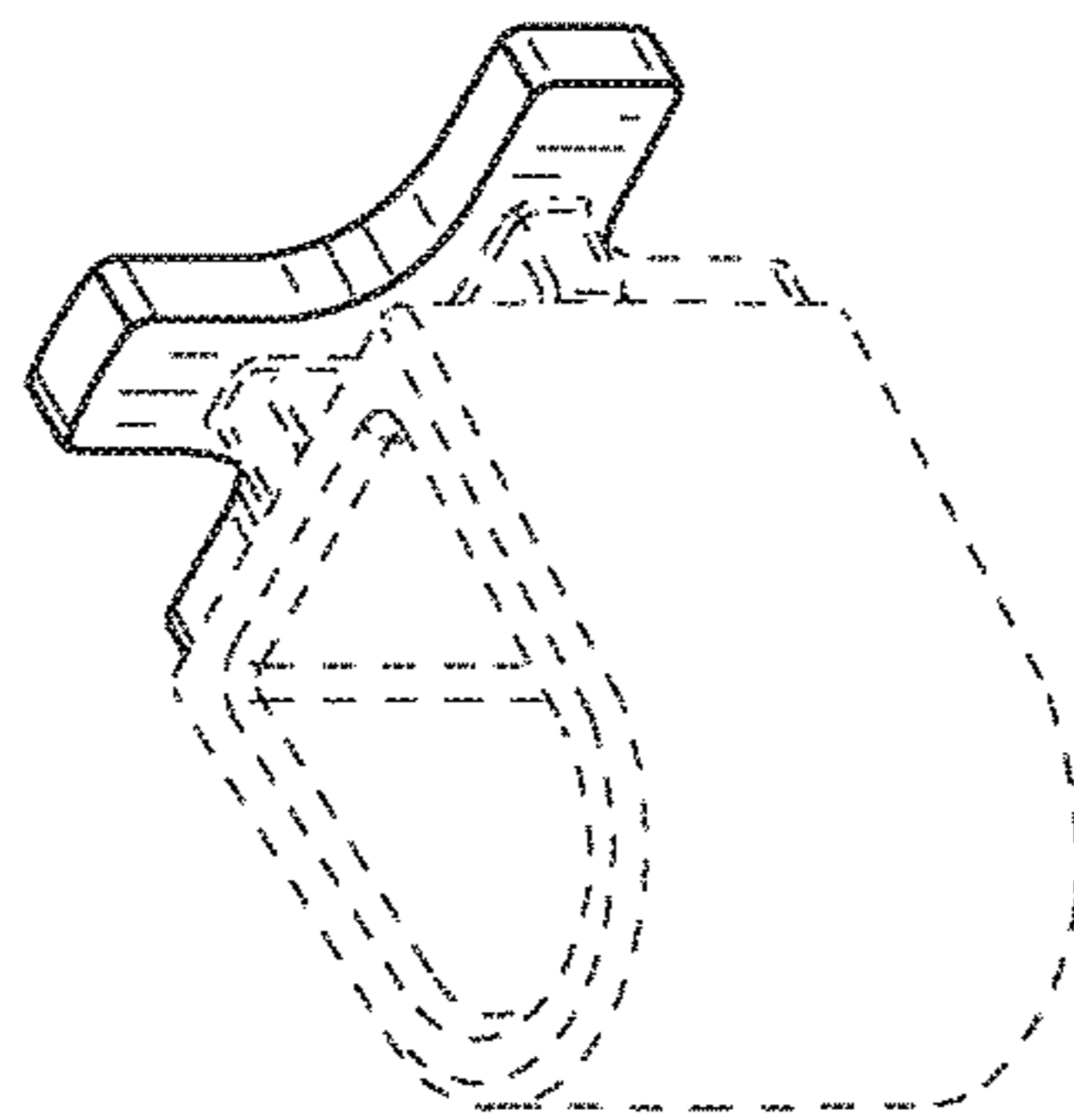


FIG. 12

UNITED STATES PATENT AND TRADEMARK OFFICE  
**CERTIFICATE OF CORRECTION**

PATENT NO. : D800,477 S  
APPLICATION NO. : 29/567227  
DATED : October 24, 2017  
INVENTOR(S) : Francis Wall

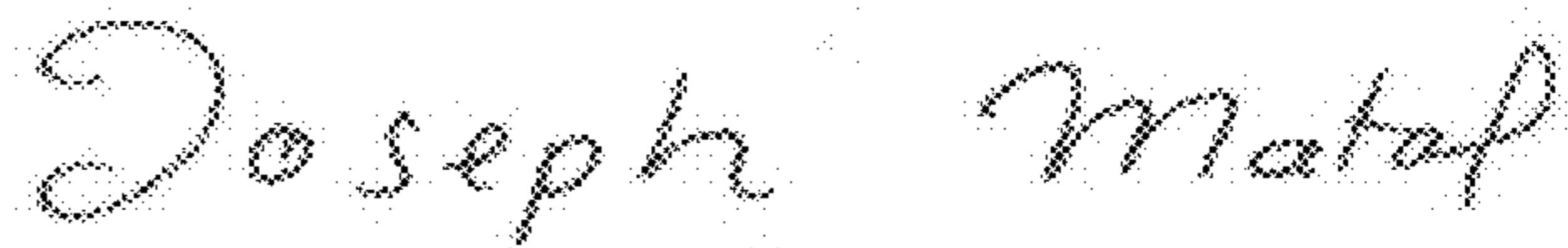
Page 1 of 1

It is certified that error appears in the above-identified patent and that said Letters Patent is hereby corrected as shown below:

On the Title Page

Under the Description, "FIG. 1 is a perspective view of an embodiment of" should read --FIG. 1 is a perspective view of--

Signed and Sealed this  
Fifth Day of December, 2017



Joseph Matal

*Performing the Functions and Duties of the  
Under Secretary of Commerce for Intellectual Property and  
Director of the United States Patent and Trademark Office*