



US00D800475S

(12) **United States Design Patent** (10) **Patent No.:** **US D800,475 S**
Thite et al. (45) **Date of Patent:** **** Oct. 24, 2017**

(54) **SPONGE RECEPTACLE**

(71) Applicants: **Ruchi Abhay Thite**, Mumbai (IN);
Mason Adam Umholtz, Brooklyn, NY
(US)

(72) Inventors: **Ruchi Abhay Thite**, Mumbai (IN);
Mason Adam Umholtz, Brooklyn, NY
(US)

(73) Assignee: **HELEN OF TROY LIMITED**, St.
Michael (BB)

(**) Term: **15 Years**

(21) Appl. No.: **29/578,466**

(22) Filed: **Sep. 22, 2016**

(51) **LOC (10) Cl.** **07-05**

(52) **U.S. Cl.**
USPC **D6/536**

(58) **Field of Classification Search**
USPC D6/320, 524, 525, 532, 536-537, 540,
D6/566, 567, 553; D3/304, 306;
D7/637; D32/55-58; 211/13.1, 71.01,
211/85.25, 86.01, 88.01, 90.01, 90.03,
211/106, 119, 126.1, 133.5, 134, 181.1;
248/206.2-206.3
CPC .. B23P 17/04; A47K 1/09; A47K 1/08; A47K
3/281; F16B 47/00

See application file for complete search history.

(56) **References Cited**

U.S. PATENT DOCUMENTS

D534,700 S *	1/2007	Sellers	D32/55
D549,503 S *	8/2007	Nagoya	D6/536
D612,648 S *	3/2010	Guindi	D6/525
D773,846 S *	12/2016	Chang	D6/537

* cited by examiner

Primary Examiner — Wan Laymon
Assistant Examiner — Mark Booker

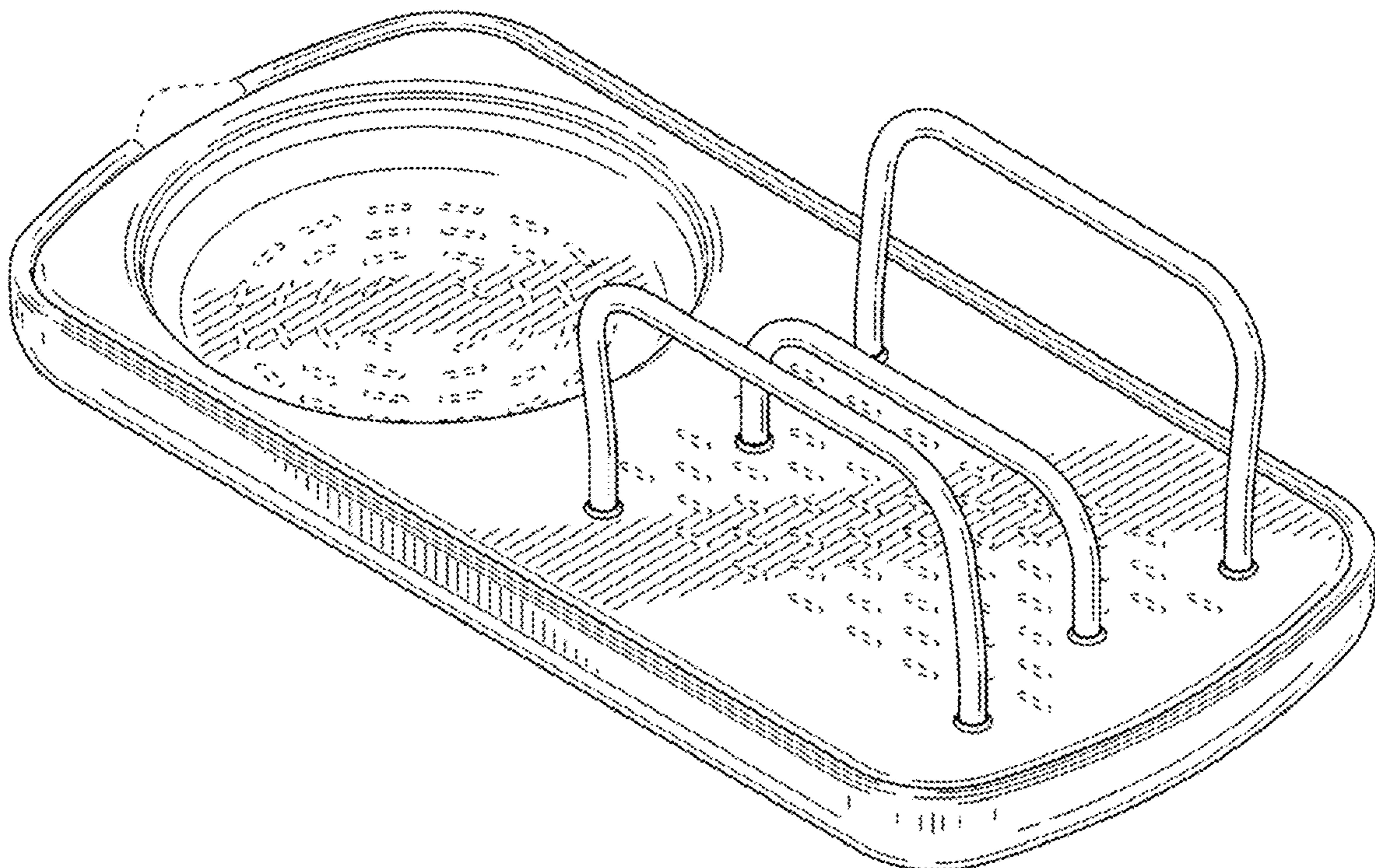
(57) **CLAIM**

The ornamental design for an sponge receptacle, as shown,
and described.

DESCRIPTION

FIG. 1 is a perspective view of the sponge receptacle;
FIG. 2 is a front view of the sponge receptacle;
FIG. 3 is a rear view of the sponge receptacle;
FIG. 4 is a left side view of the sponge receptacle;
FIG. 5 is a right side view of the sponge receptacle;
FIG. 6 is a top view of the sponge receptacle; and,
FIG. 7 is a bottom view of the sponge receptacle.
The broken lines illustrate drain slots and a pour spout which
form no part of the claimed design.

1 Claim, 7 Drawing Sheets



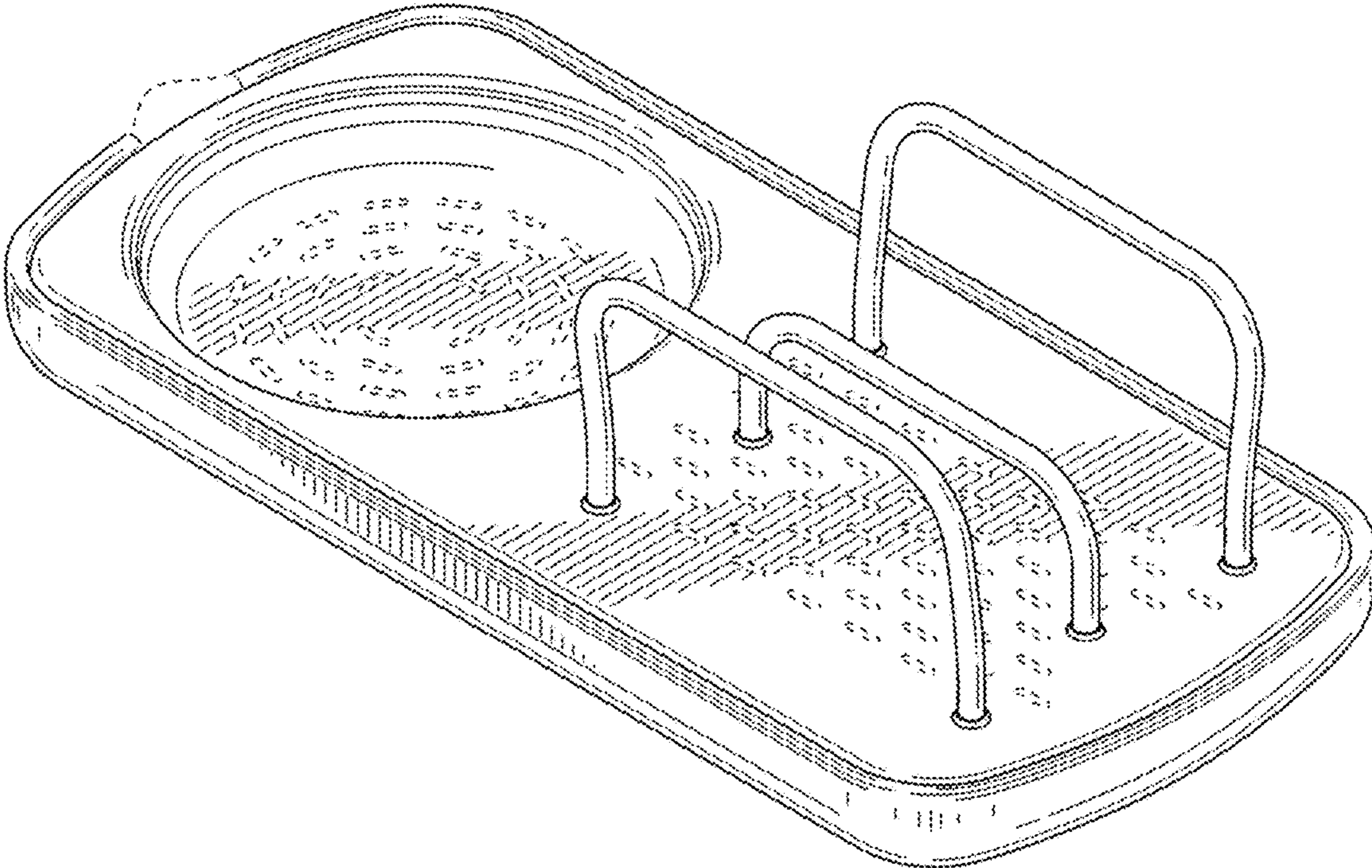


Figure 1

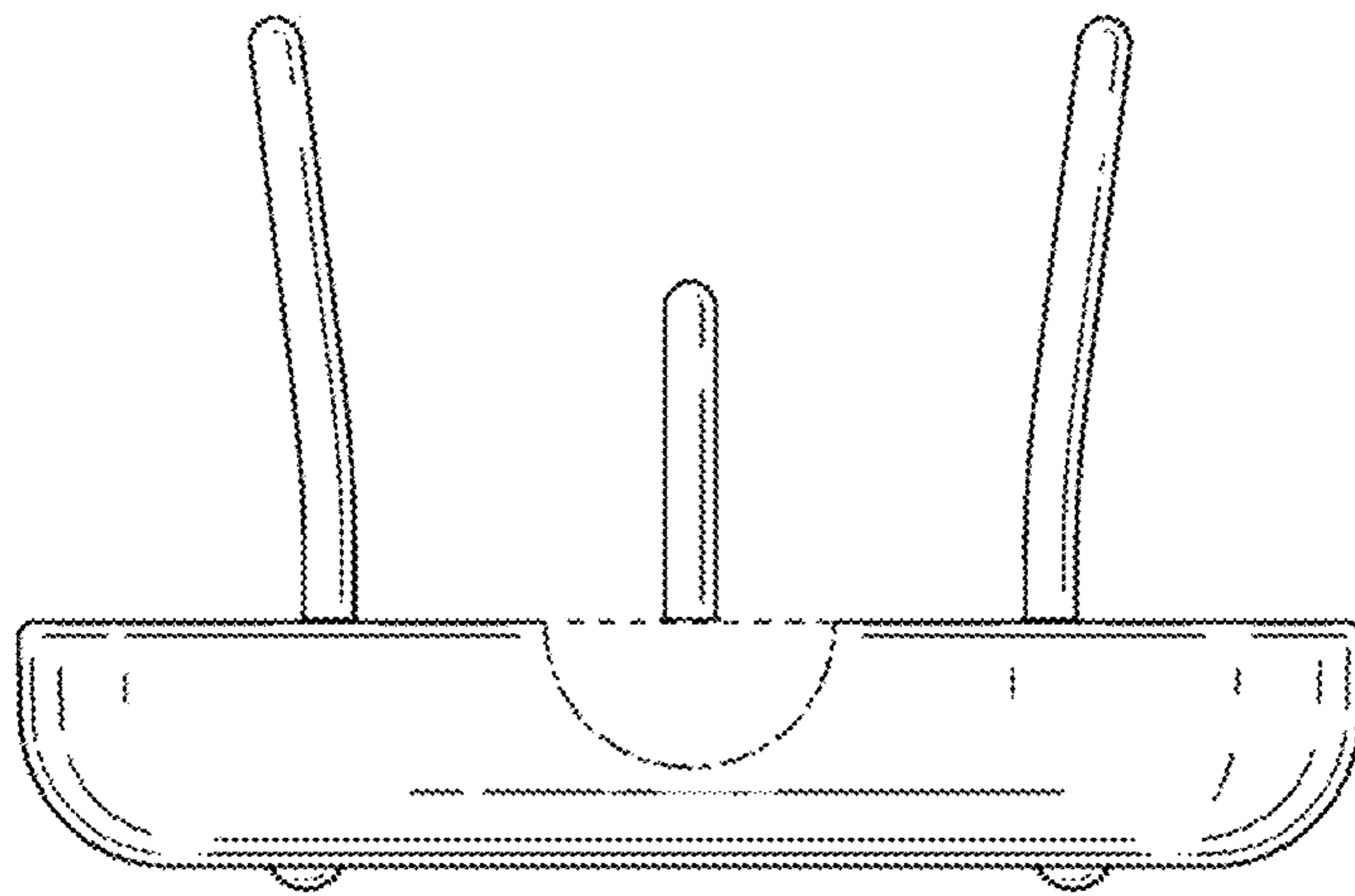


Figure 2

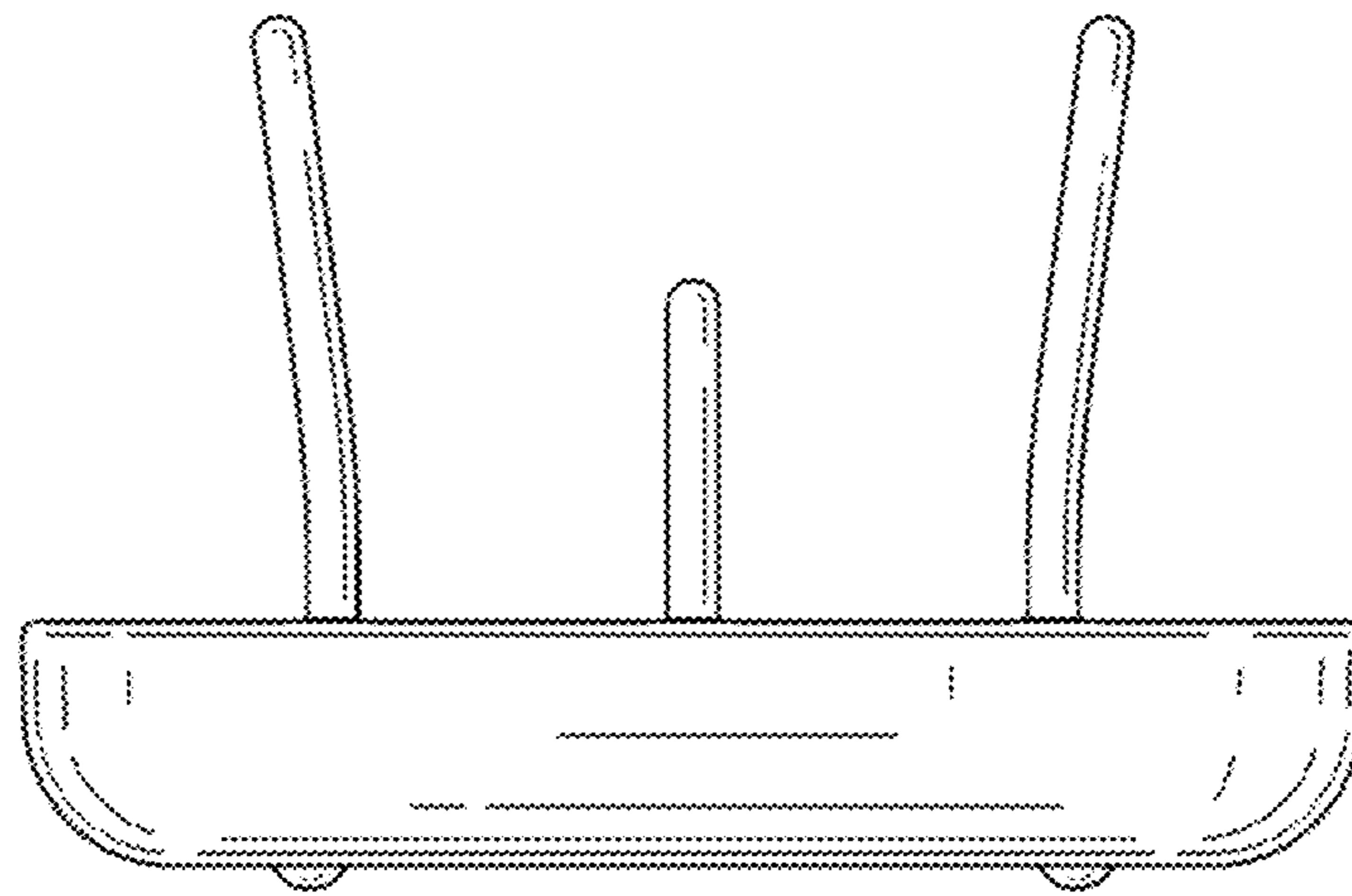


Figure 3

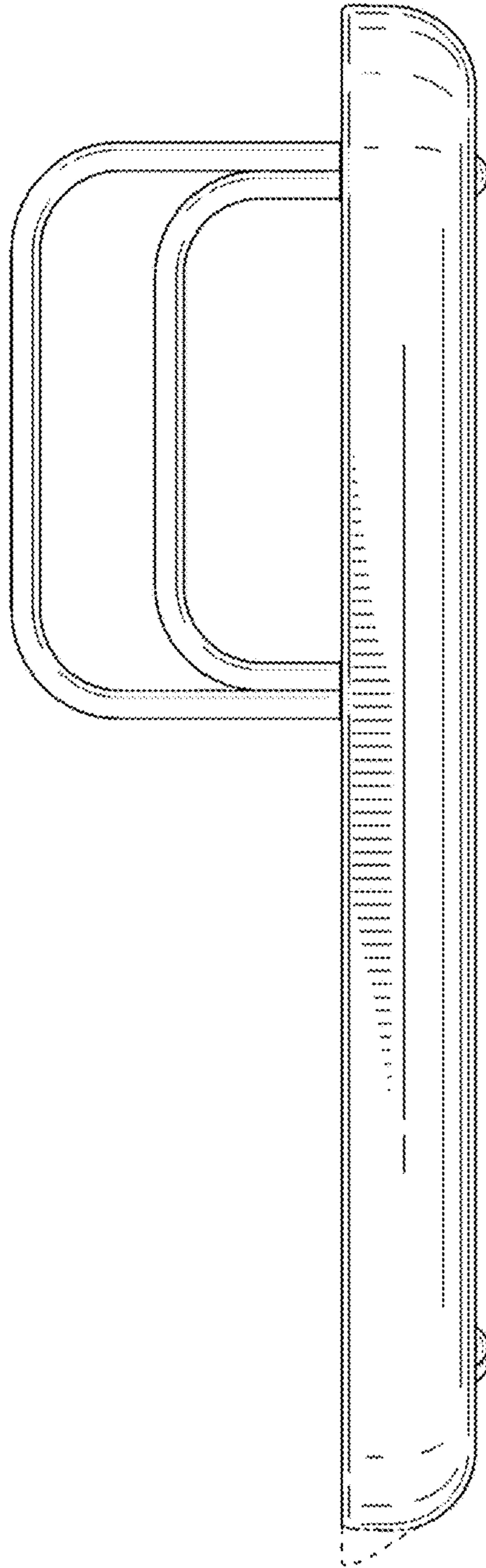


Figure 4

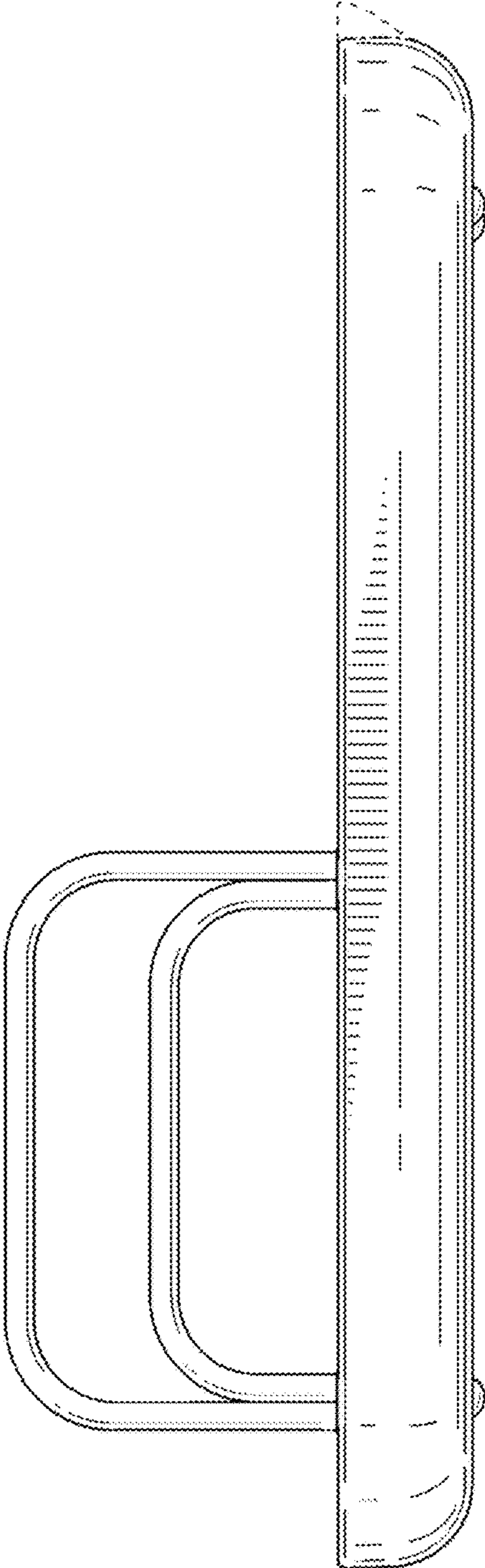


Figure 5

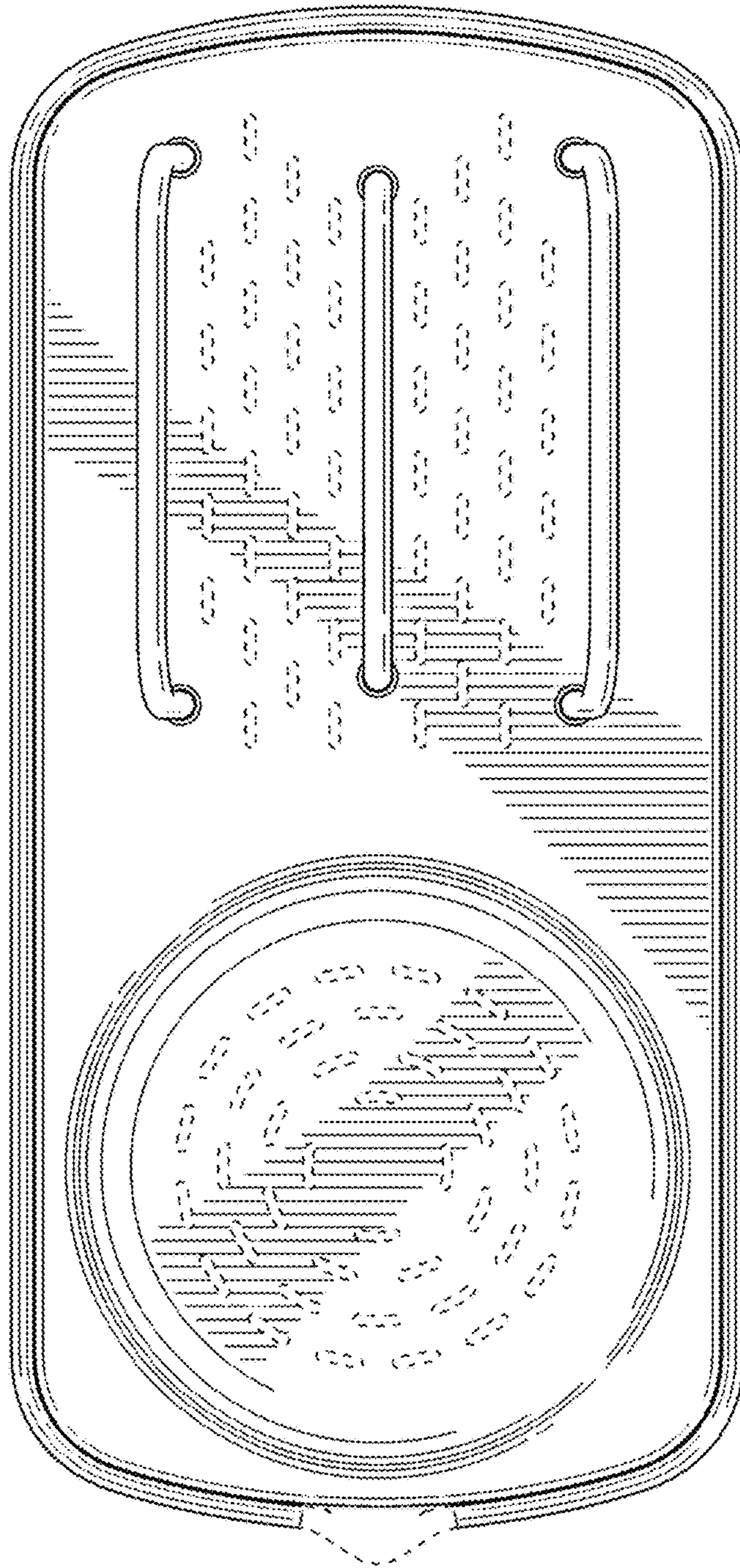


Figure 6

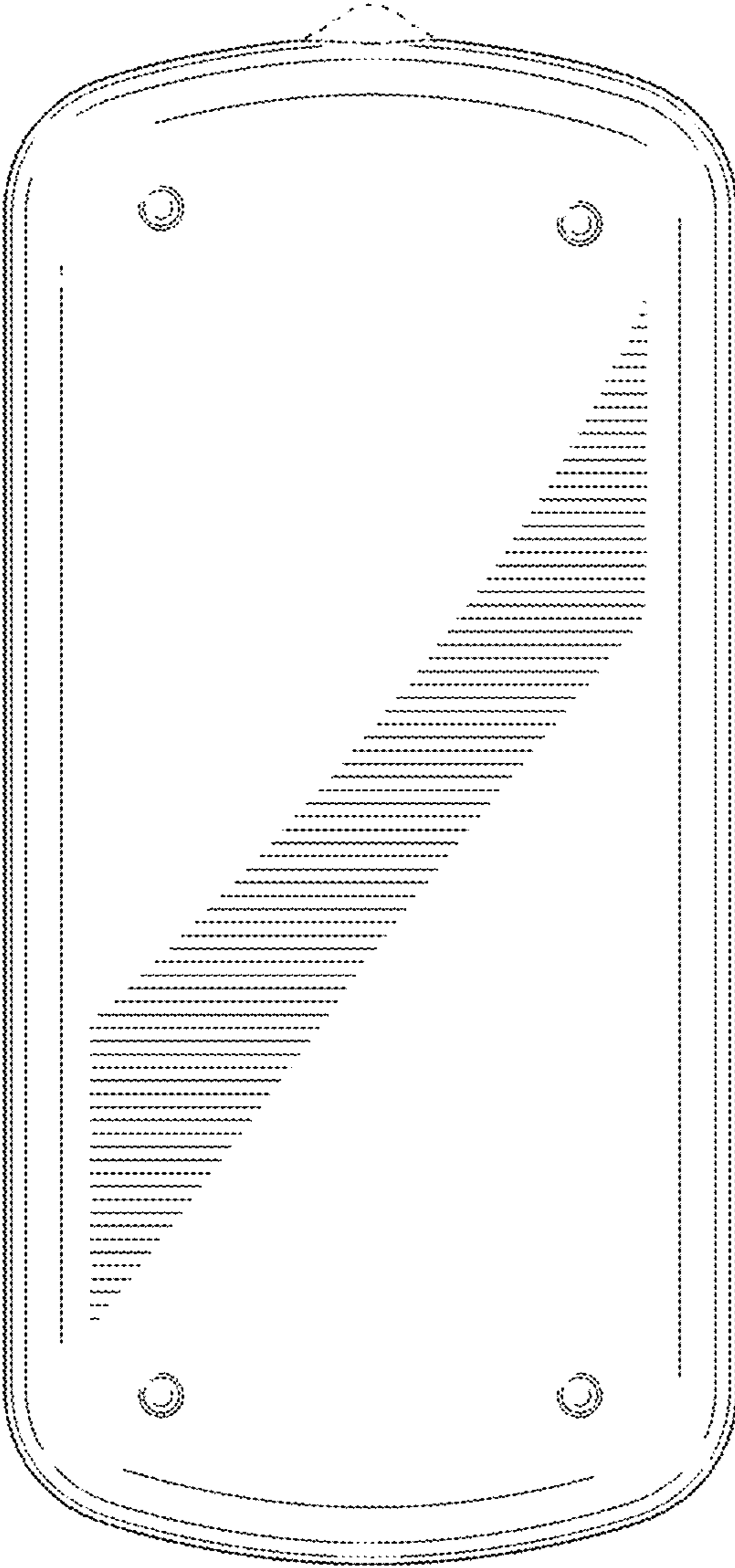


Figure 7