



US00D800474S

(12) **United States Design Patent** (10) **Patent No.:** **US D800,474 S**
Tran (45) **Date of Patent:** **** Oct. 24, 2017**

(54) **CHAIR**
(71) Applicant: **Plascene Inc.**, Oxnard, CA (US)
(72) Inventor: **Hy Duy Tran**, Ho Chi Minh (VN)
(**) Term: **15 Years**
(21) Appl. No.: **29/557,554**
(22) Filed: **Mar. 10, 2016**
(51) **LOC (10) Cl.** **06-01**
(52) **U.S. Cl.**
USPC **D6/380**
(58) **Field of Classification Search**
USPC D6/334, 335, 336, 369, 370, 371, 372,
D6/373, 374, 375, 376, 377, 378, 379,
D6/380, 381, 716, 716.1, 716.2, 716.3,
D6/716.4; 297/411.42
CPC A47C 3/04; A47C 4/02; A47C 4/03; A47C
5/02; A47C 5/12; A47C 7/54; A47C 7/16;
B60N 2/686
See application file for complete search history.

(56) **References Cited**

U.S. PATENT DOCUMENTS

D259,078 S *	5/1981	Deconinck	D6/370
D307,837 S *	5/1990	Grant	D6/372
D352,183 S *	11/1994	Sheridan	D6/374
D426,970 S *	6/2000	Kolberg	D6/374
D464,209 S *	10/2002	Piretti	D6/380
D541,068 S *	4/2007	Foster	D6/374
D607,661 S *	1/2010	Chadwick	D6/380
D636,195 S *	4/2011	Reyes	D6/374
D649,804 S *	12/2011	Keller	D6/374

D673,395 S *	1/2013	Piretti	D6/376
D673,396 S *	1/2013	Piretti	D6/376
D673,788 S *	1/2013	Schoenhals	D6/380
D686,833 S *	7/2013	Chan	D6/376
D693,590 S *	11/2013	Irvine	D6/379
D710,638 S *	8/2014	Bellini	D6/716
D752,356 S *	3/2016	Tiet	D6/374
D752,894 S *	4/2016	Tiet	D6/379
D752,896 S *	4/2016	Tiet	D6/374
D760,525 S *	7/2016	Piretti	D6/380
D761,606 S *	7/2016	Piretti	D6/380
D762,999 S *	8/2016	Huang	D6/375
D764,849 S *	8/2016	Piretti	D6/380
D766,639 S *	9/2016	Glass	D6/373
D779,223 S *	2/2017	Duvigneau	D6/374
D779,224 S *	2/2017	Duvigneau	D6/379
D787,218 S *	5/2017	Barcelo	D6/380

* cited by examiner

Primary Examiner — Karen Kearney
Assistant Examiner — Christopher J Matthews
(74) *Attorney, Agent, or Firm* — Michael D. Eisenberg

(57) **CLAIM**

The ornamental design for a chair, as shown and described.

DESCRIPTION

FIG. 1 is a perspective view of a chair showing my new design;
FIG. 2 is a right side view of the chair;
FIG. 3 is a left side view of the chair;
FIG. 4 is a front view of the chair;
FIG. 5 is a top view of the chair;
FIG. 6 is a rear view of the chair; and,
FIG. 7 is a bottom view of the chair.

1 Claim, 4 Drawing Sheets

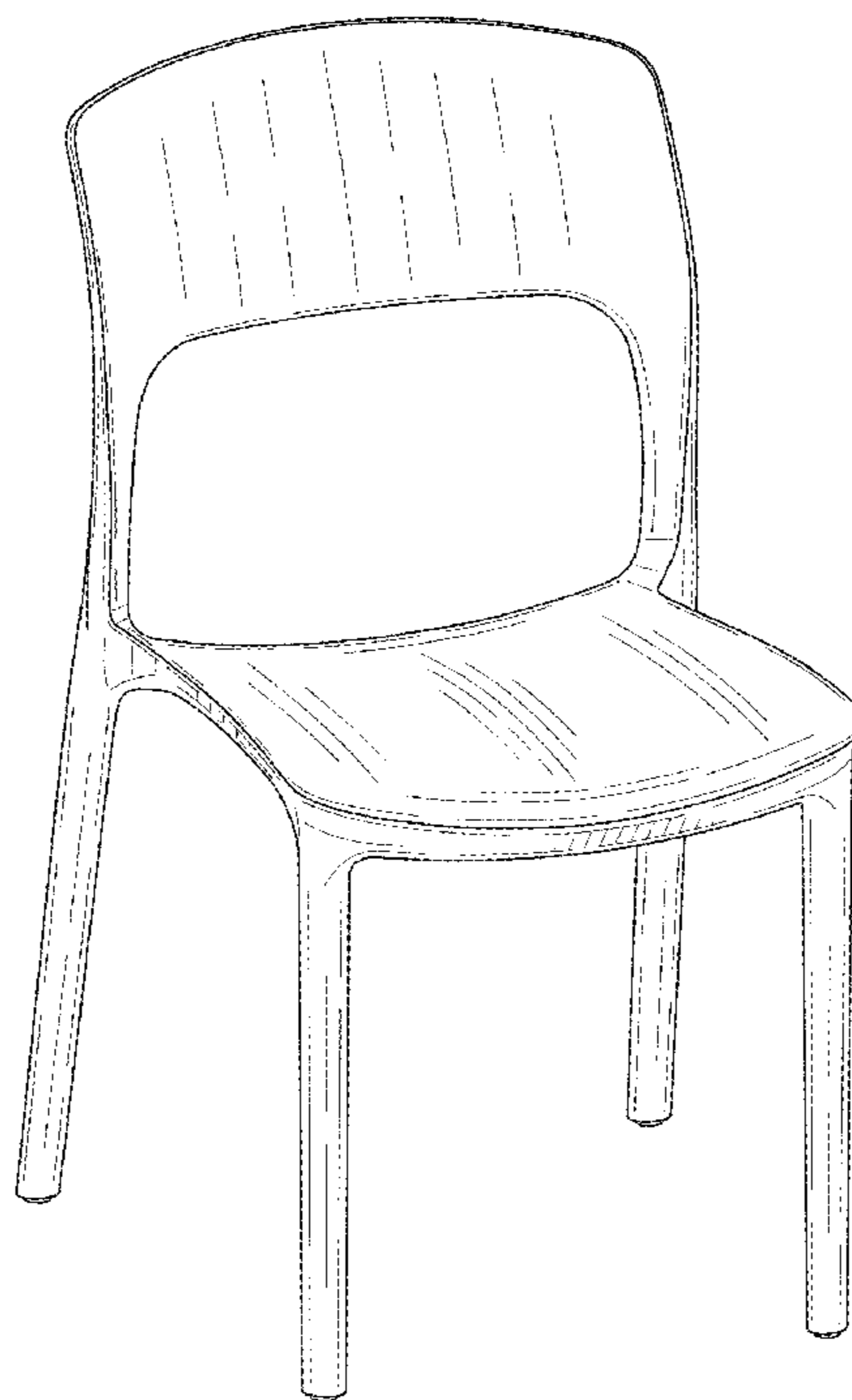




FIG. 1

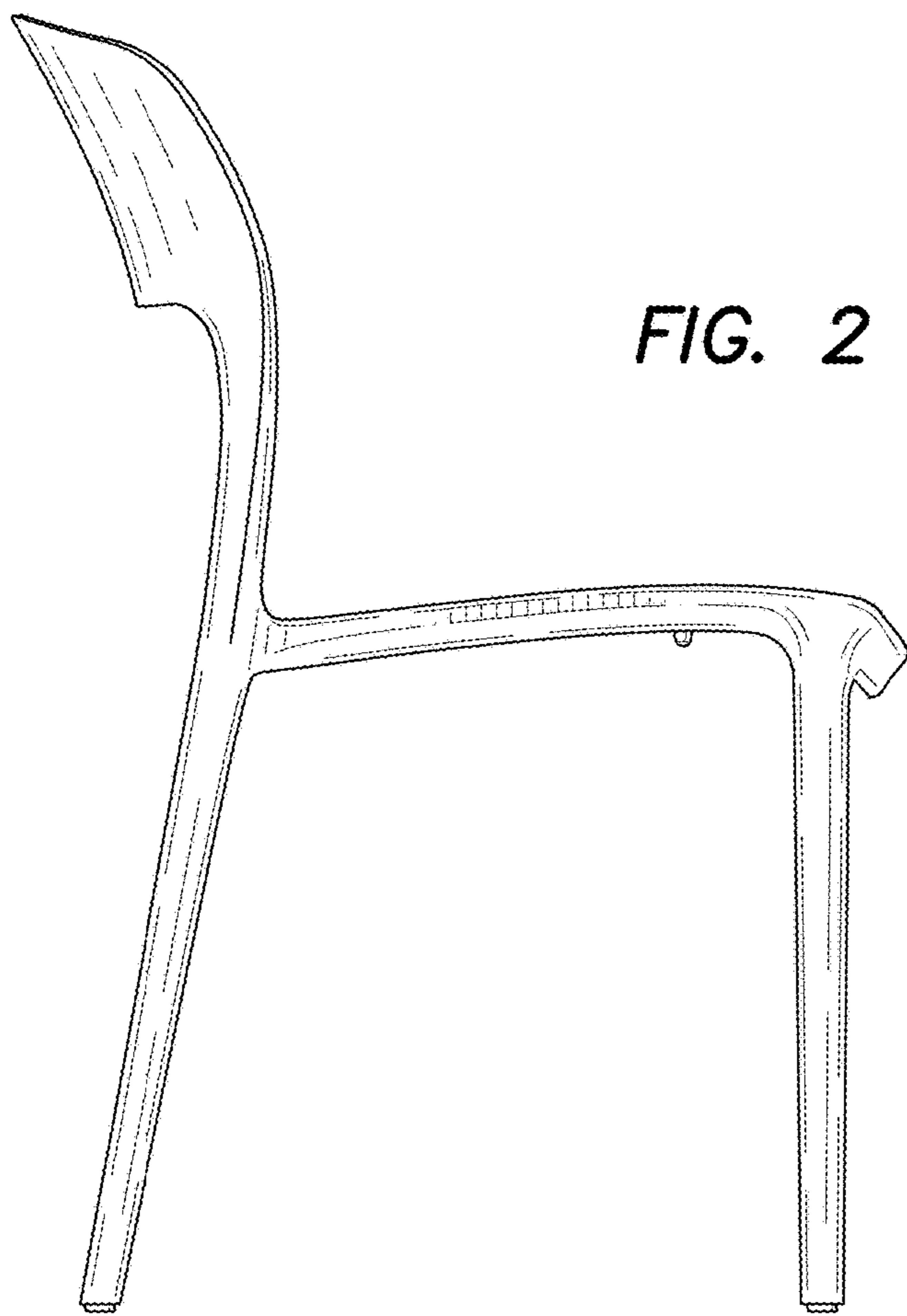
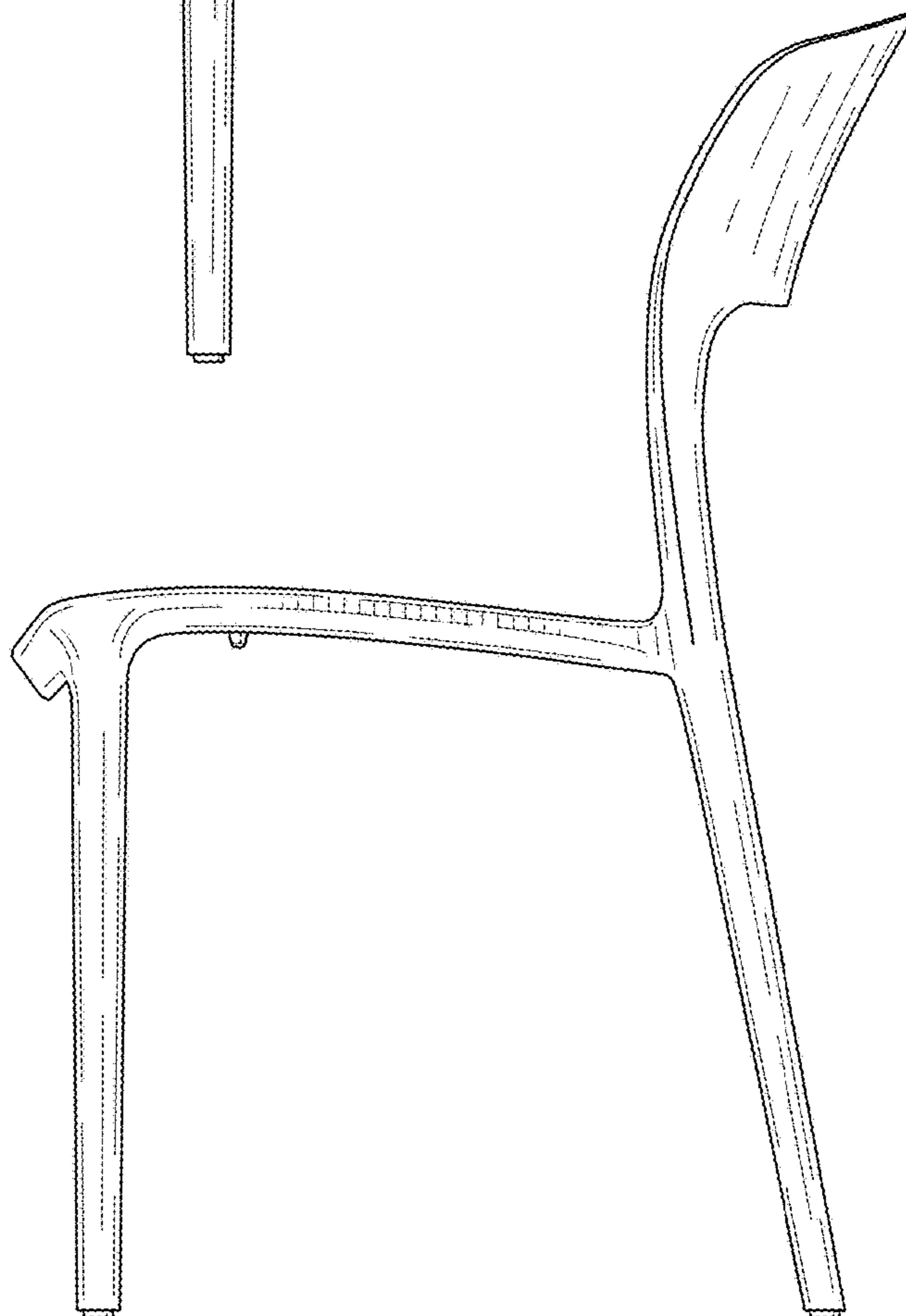


FIG. 3



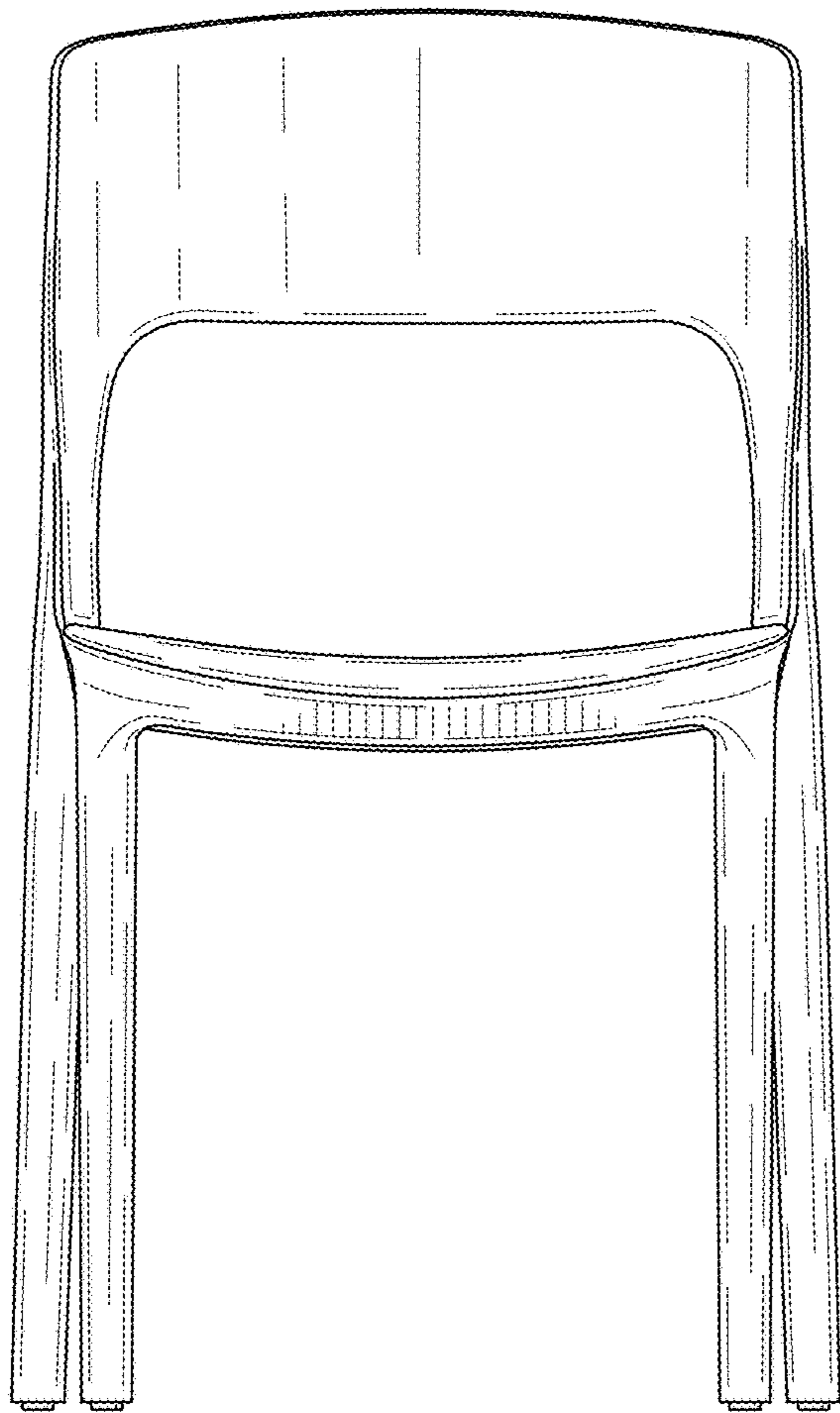


FIG. 4

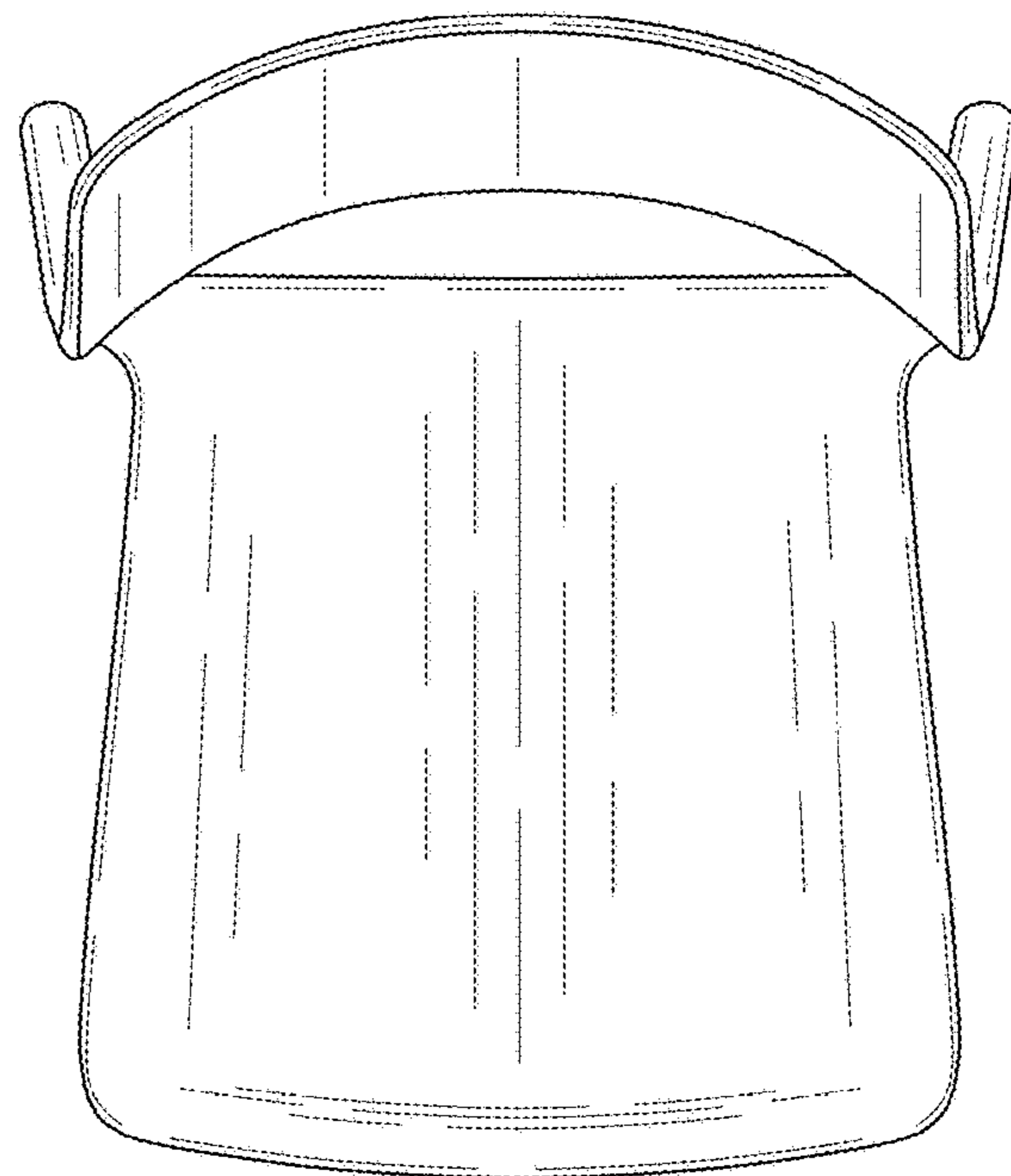


FIG. 5

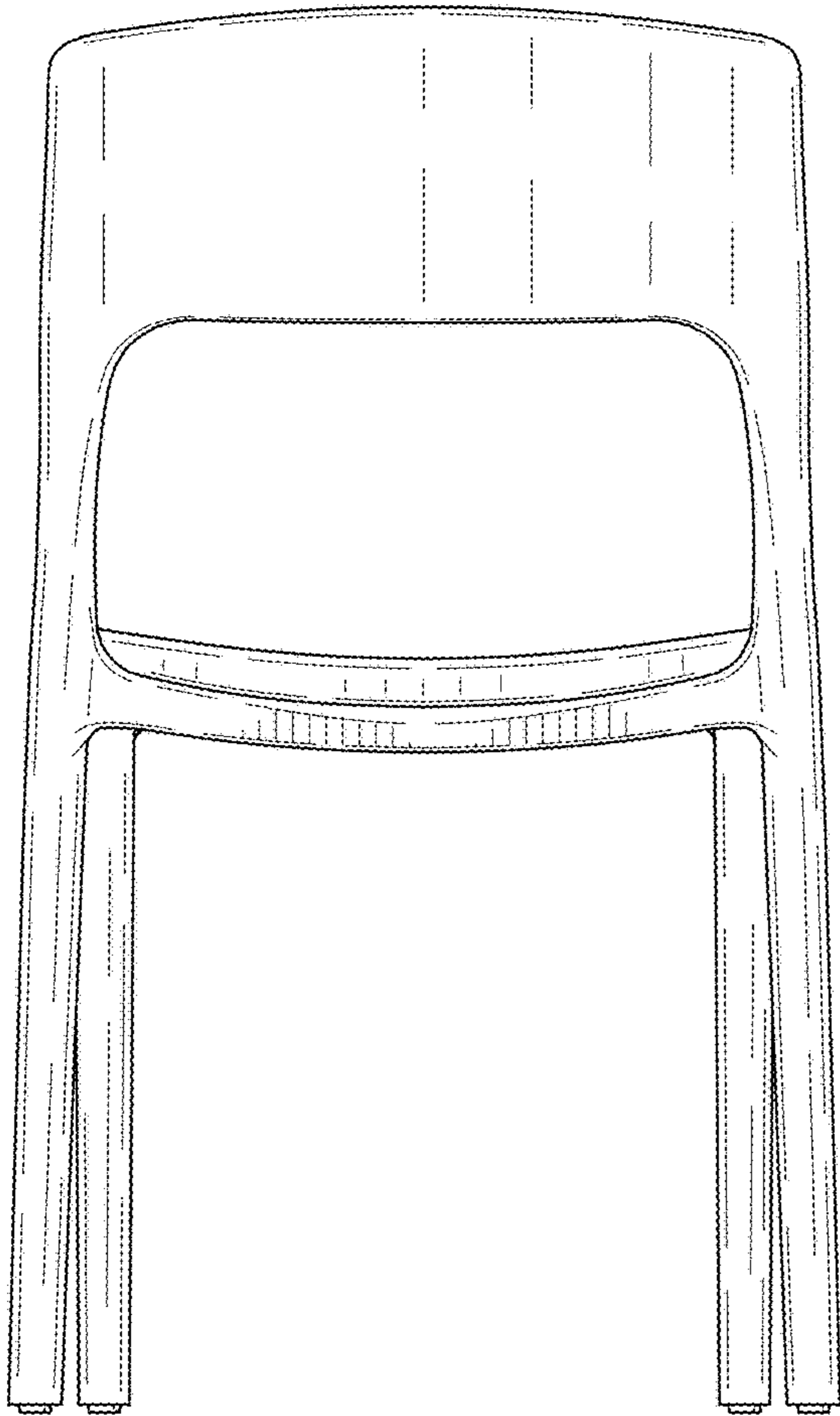


FIG. 6

FIG. 7

