



US00D800472S

(12) **United States Design Patent**
Meda

(10) **Patent No.:** **US D800,472 S**
(45) **Date of Patent:** **** Oct. 24, 2017**

- (54) **CHAIR**
- (71) Applicant: **Vitra Patente AG**, Birsfelden (CH)
- (72) Inventor: **Alberto Meda**, Milan (IT)
- (73) Assignee: **Vitra Patente AG**, Birsfelden (CH)
- (**) Term: **15 Years**
- (21) Appl. No.: **29/573,934**
- (22) Filed: **Aug. 10, 2016**
- (30) **Foreign Application Priority Data**
 - May 13, 2016 (WO) DM090703
- (51) **LOC (10) Cl.** **06-01**
- (52) **U.S. Cl.**
USPC **D6/366**
- (58) **Field of Classification Search**
 - USPC D6/334-336, 364, 365, 366, 374, 379,
D6/380, 716, 716.1, 716.2, 716.4, 708.23,
D6/708.24
 - CPC .. A47C 7/54; A47C 3/24; A47C 7/022; A47C
7/282; A47C 7/40; A47C 7/46; A47C
7/462; A47C 7/24; A47C 7/004

See application file for complete search history.

- (56) **References Cited**
 - U.S. PATENT DOCUMENTS
 - D360,316 S 7/1995 Hodge et al.
 - D367,980 S 3/1996 Hodge et al.
 - D390,712 S * 2/1998 Koepke D6/360
 - D400,018 S * 10/1998 James D6/366
 - D445,580 S * 7/2001 Pennington D6/366
 - D446,397 S * 8/2001 Pennington D6/366
 - D453,079 S * 1/2002 Ma D6/366
 - D467,443 S 12/2002 Kwon

- 6,572,190 B2 * 6/2003 Koepke A47C 7/46
297/284.1
- D540,079 S 4/2007 Bock
- D540,080 S * 4/2007 Su D6/366
- D541,061 S 4/2007 Benden et al.
- D541,062 S * 4/2007 Su D6/366
- D549,014 S 8/2007 Donati
- D558,995 S 1/2008 Igarashi et al.
- 7,347,495 B2 * 3/2008 Beyer A47C 7/462
297/284.3
- D566,410 S * 4/2008 Neil D6/366
- D567,522 S 4/2008 Igarashi
- D570,624 S 6/2008 Kang
- D572,948 S 7/2008 Kouichi et al.
- D576,813 S * 9/2008 Baldanzi D6/366
- D579,682 S 11/2008 Neil
- D582,170 S * 12/2008 Chi D6/366
- D584,901 S * 1/2009 Massaud D6/366
- 7,517,024 B2 * 4/2009 Cvek A47C 7/282
297/218.1
- D597,330 S * 8/2009 Neil D6/366
- D613,085 S 4/2010 Fujita
- D613,086 S 4/2010 Fujita
- D640,477 S * 6/2011 Neil D6/366
- D640,478 S 6/2011 Neil
- D646,915 S 10/2011 Schweikarth et al.

(Continued)

Primary Examiner — Mimosa De
(74) *Attorney, Agent, or Firm* — Dorsey & Whitney LLP

(57) **CLAIM**
The ornamental design of a chair, as shown and described.

DESCRIPTION

FIG. 1 is a front perspective-view of a chair;
FIG. 2 is a front view thereof;
FIG. 3 is a left-side view thereof;
FIG. 4 is a back view thereof;
FIG. 5 is a right-side view thereof;
FIG. 6 is a top view thereof; and,
FIG. 7 is a bottom view thereof.

1 Claim, 7 Drawing Sheets



(56)

References Cited

U.S. PATENT DOCUMENTS

D649,796 S	*	12/2011	Lievore	D6/366	D683,552 S	*	6/2013	Wu	D6/366
D650,617 S	*	12/2011	Chen	D6/366	D683,574 S	*	6/2013	Su	D6/366
D652,646 S		1/2012	Fujita		D687,641 S		8/2013	Barrell	
D653,467 S		2/2012	Ballendat		D694,541 S		12/2013	Breen	
D654,280 S		2/2012	Fujita		D695,538 S		12/2013	Geelen	
D656,752 S		4/2012	Moll		D697,330 S	*	1/2014	Chen	D6/366
D658,904 S	*	5/2012	Chen	D6/366	D701,068 S	*	3/2014	Usumoto	D6/366
D661,505 S		6/2012	Ballendat		D702,977 S		4/2014	Bonneywell	
D665,589 S	*	8/2012	Wagner	D6/366	D703,966 S	*	5/2014	Wu	D6/366
D665,590 S		8/2012	Wagner		D708,882 S		7/2014	Hsuan-Chin	
D666,032 S	*	8/2012	Su	D6/716.4	D714,069 S		9/2014	Cvek	
D671,330 S	*	11/2012	Izawa	D6/366	D736,532 S		8/2015	Ballendat	
D671,332 S	*	11/2012	Izawa	D6/366	D758,087 S		6/2016	Bonneywell	
D671,759 S		12/2012	Hurford		D767,320 S	*	9/2016	Xingchang	D6/716.4
D677,918 S	*	3/2013	Citterio	D6/366	D768,401 S		10/2016	Lievore et al.	
D679,107 S		4/2013	Darrow et al.		D773,199 S	*	12/2016	Neil	D6/366
D683,172 S	*	5/2013	Su	D6/366	D781,604 S		3/2017	Smith et al.	
					D781,605 S		3/2017	Smith et al.	
					9,648,957 B2		5/2017	Su	

* cited by examiner

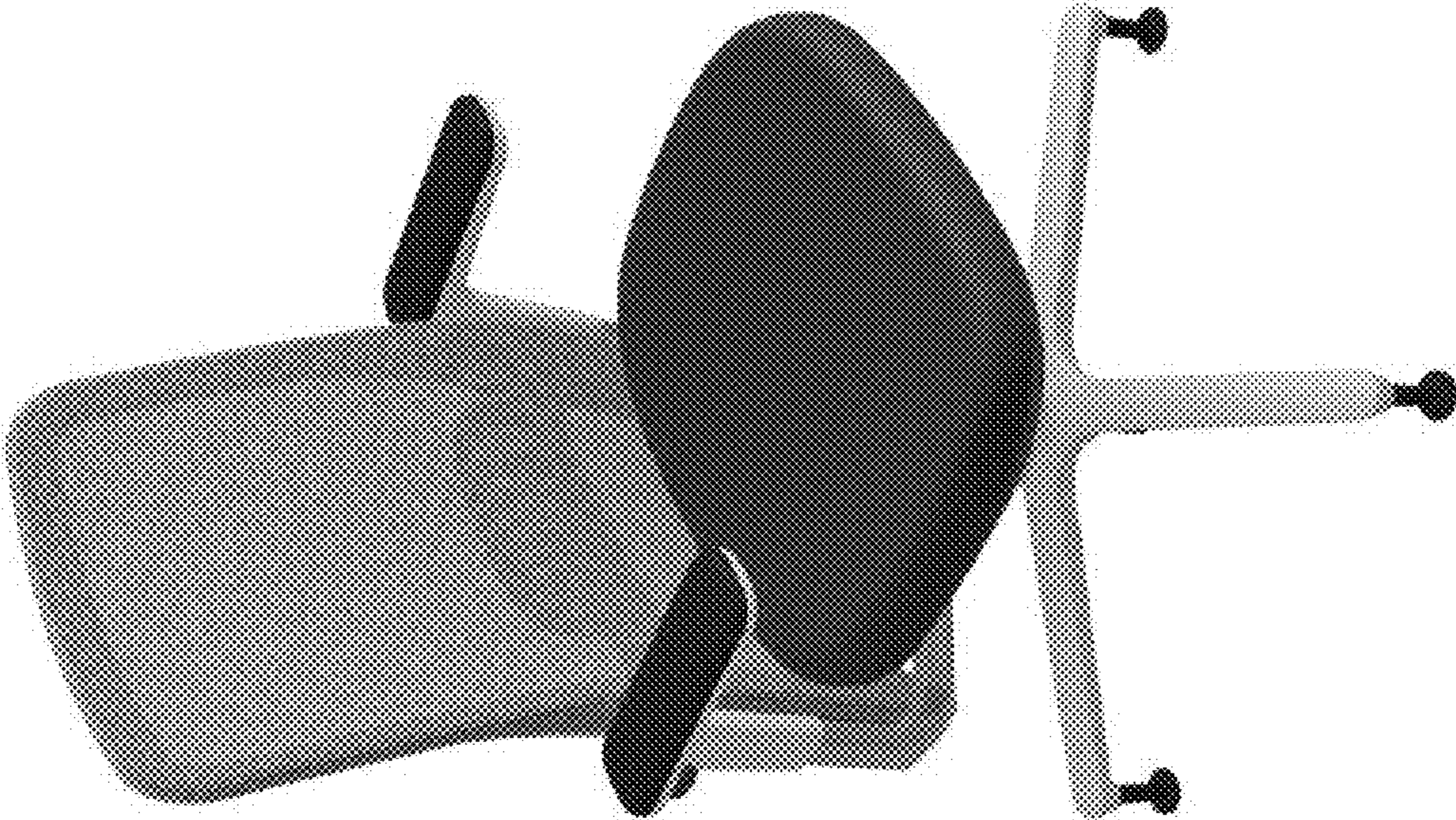


Fig. 1

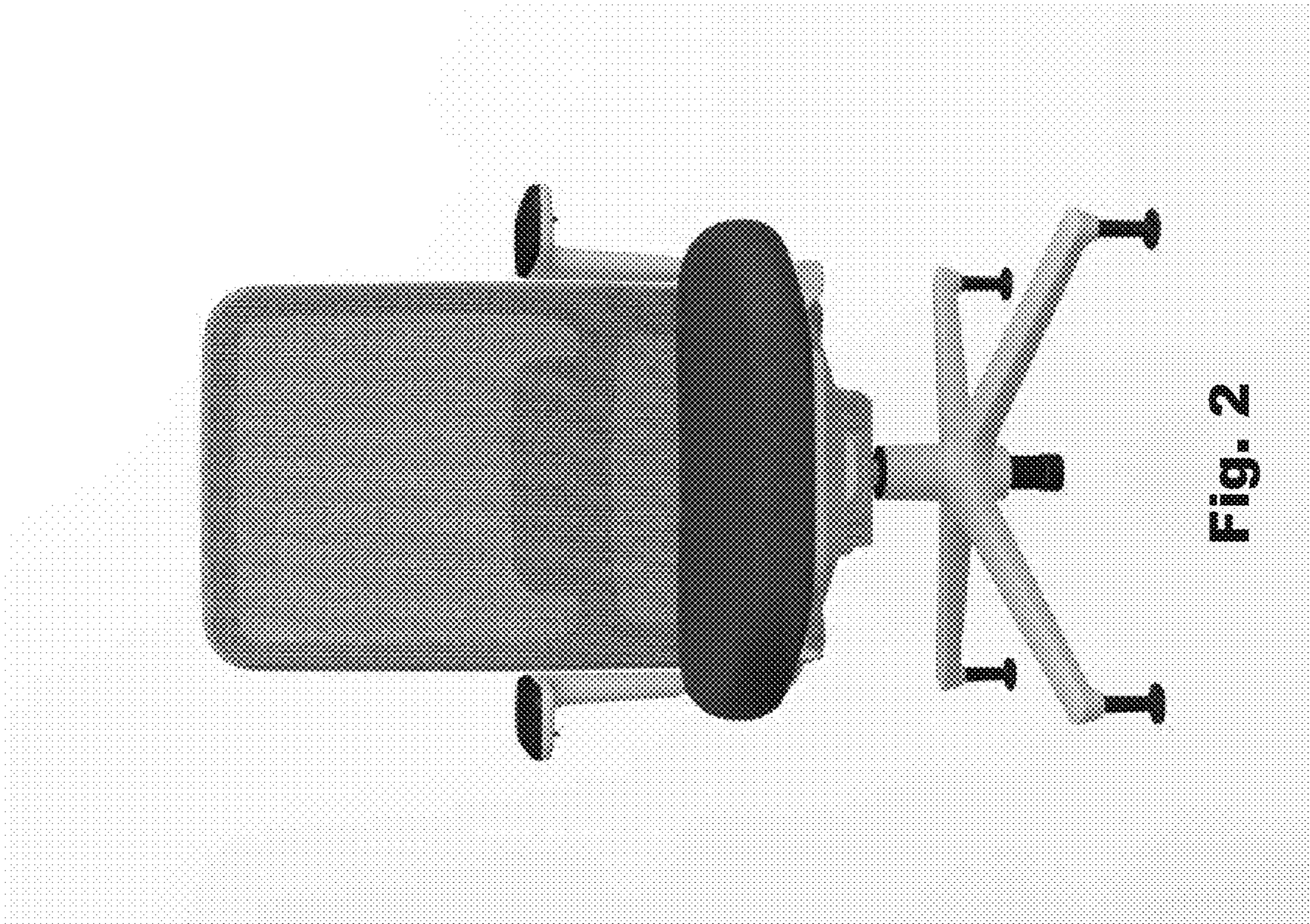


FIG. 2

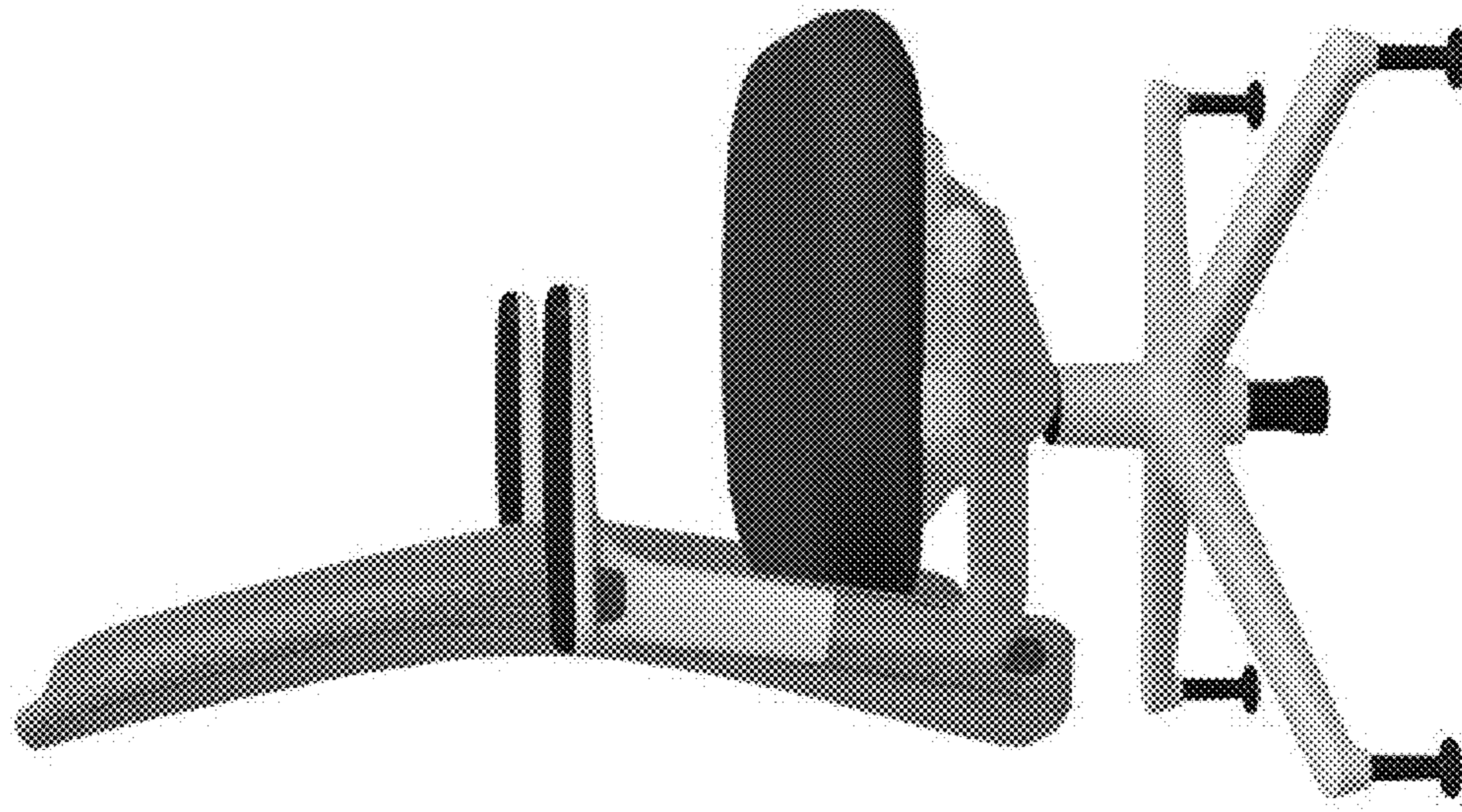


Fig. 3

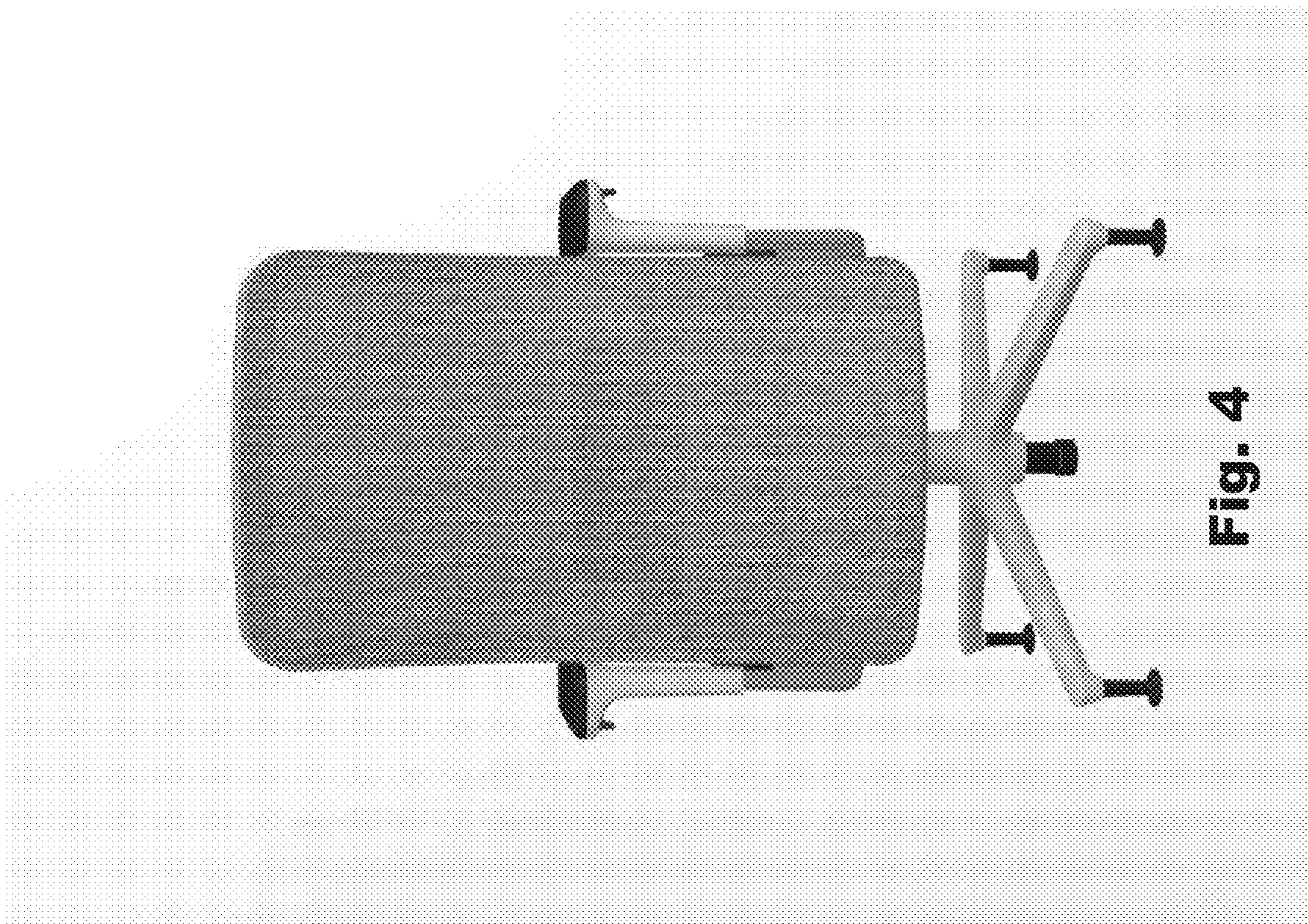


FIG. 4

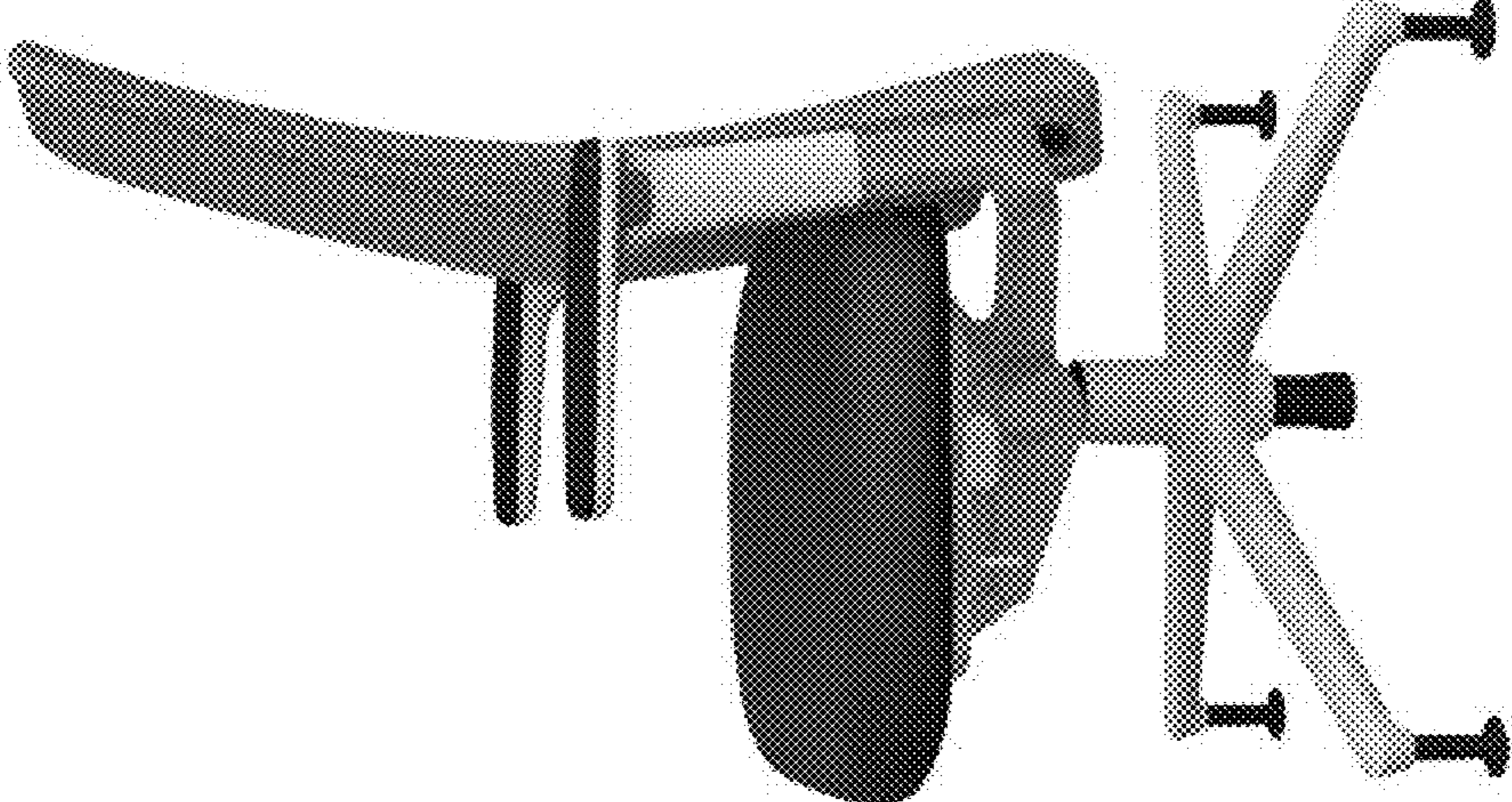


Fig. 5

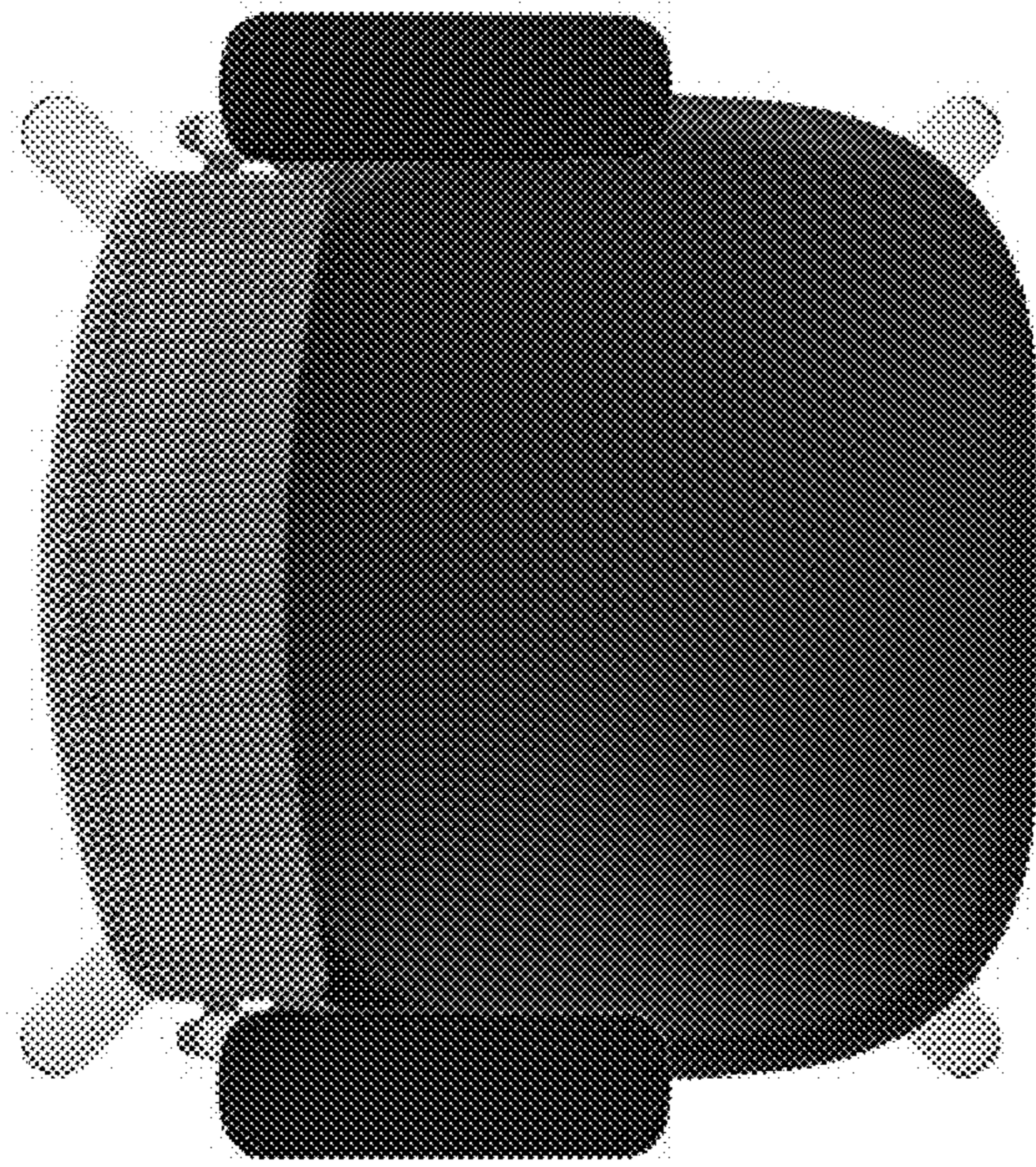


Fig. 6

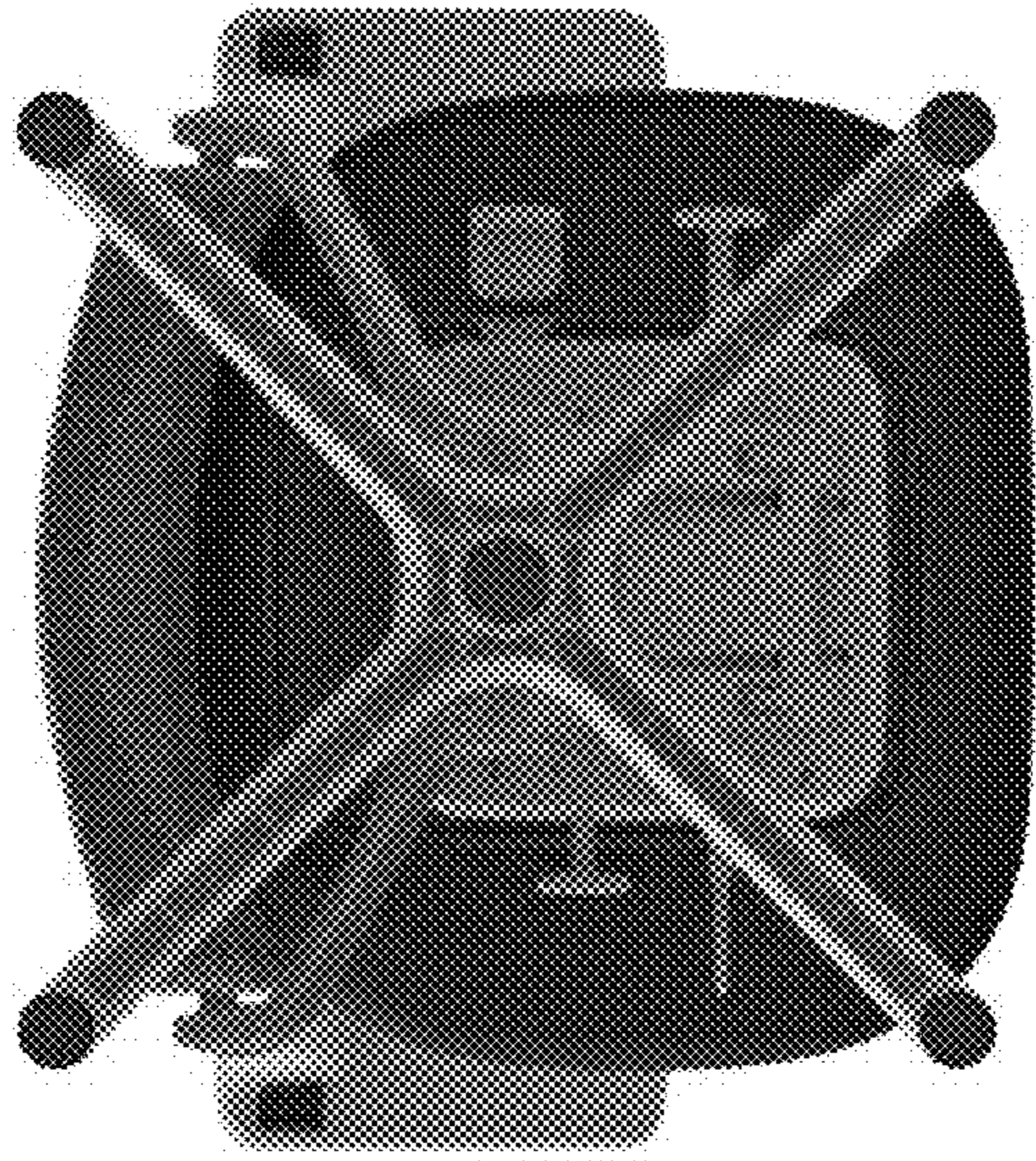


Fig. 7