



US00D800469S

(12) **United States Design Patent** (10) **Patent No.:** **US D800,469 S**
Barber et al. (45) **Date of Patent:** **** Oct. 24, 2017**

(54) **CHAIR**

(71) Applicant: **Vitra Patente AG**, Birsfelden (CH)

(72) Inventors: **Edward Barber**, London (GB); **Jay Osgerby**, London (GB)

(73) Assignee: **VITRA PATENTE AG**, Birsfelden (CH)

(**) Term: **15 Years**

(21) Appl. No.: **29/573,923**

(22) Filed: **Aug. 10, 2016**

(30) **Foreign Application Priority Data**

May 13, 2016 (WO) DM/090703

(51) **LOC (10) Cl.** **06-01**

(52) **U.S. Cl.**
USPC **D6/366**

(58) **Field of Classification Search**
USPC D6/334-336, 364, 365, 366, 374, 379,
D6/380, 716, 716.1, 716.2, 716.4, 708.23,
D6/708.24

CPC A47C 7/38; A47C 7/54; A47C 3/24; A47C
7/022; A47C 7/40; A47C 7/46; A47C
7/18; A47C 7/24; A47C 7/004
See application file for complete search history.

(56) **References Cited**

U.S. PATENT DOCUMENTS

D327,988 S *	7/1992	Citterio	D6/366
D360,316 S *	7/1995	Hodge	D6/366
D367,980 S *	3/1996	Hodge	D6/716
D390,712 S *	2/1998	Koepke	D6/360
D400,018 S *	10/1998	James	D6/366
D445,580 S	7/2001	Pennington et al.		
D446,397 S	8/2001	Pennington et al.		

D453,079 S	1/2002	Ma		
D467,443 S *	12/2002	Kwon	D6/366
6,572,190 B2	6/2003	Koepke et al.		
D540,079 S	4/2007	Bock		
D540,080 S	4/2007	Su		
D541,061 S *	4/2007	Benden	D6/366
D541,062 S	4/2007	Su		
D549,014 S *	8/2007	Donati	D6/708.23
D550,976 S *	9/2007	Bellini	D6/366
D558,995 S	1/2008	Igarashi et al.		
7,347,495 B2	3/2008	Beyer et al.		
D566,410 S	4/2008	Neil		
D567,522 S	4/2008	Igarashi		
D570,624 S	6/2008	Kang		
D572,948 S	7/2008	Kouichi et al.		
D576,813 S	9/2008	Baldanzi et al.		
D579,682 S *	11/2008	Neil	D6/366
D582,170 S	12/2008	Chi		
D584,901 S	1/2009	Massaud		
7,517,024 B2	4/2009	Cvek et al.		
D597,330 S	8/2009	Neil		
D613,085 S	4/2010	Fujita		
D613,086 S	4/2010	Fujita		
D640,477 S	6/2011	Neil		
D640,478 S *	6/2011	Neil	D6/366

(Continued)

Primary Examiner — Mimosa De

(74) *Attorney, Agent, or Firm* — Dorsey & Whitney LLP

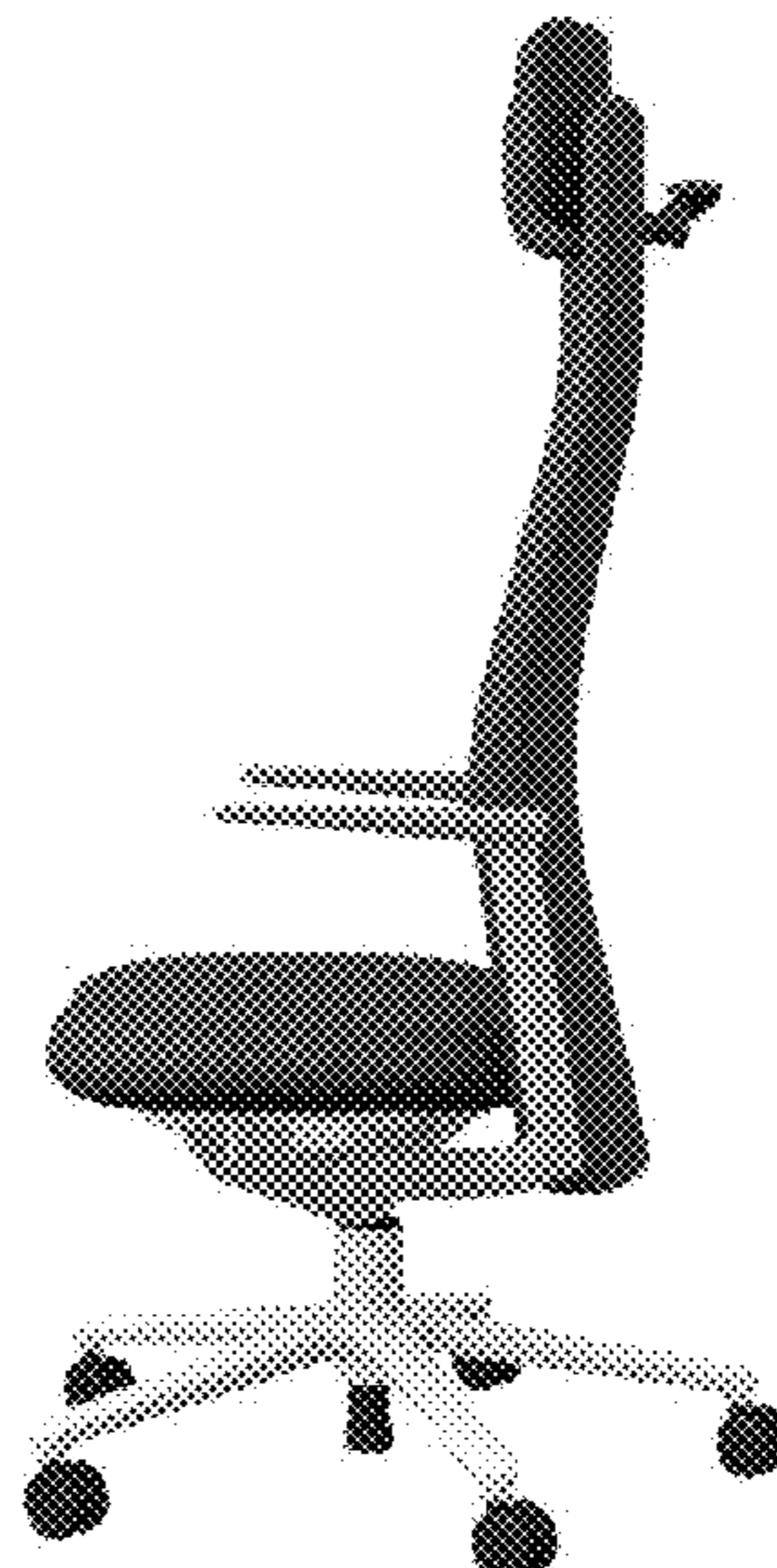
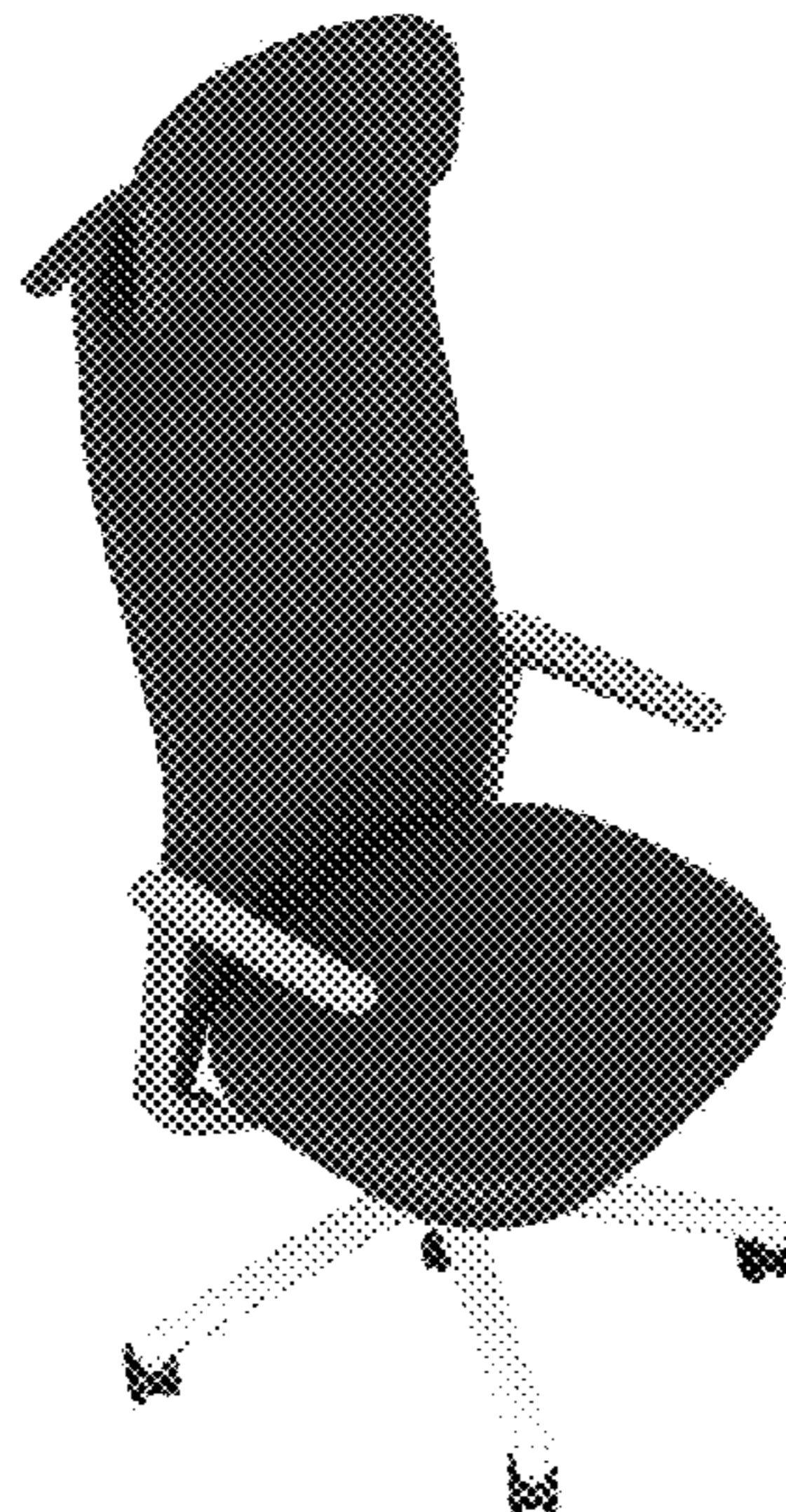
(57) **CLAIM**

The ornamental design of a chair, as shown and described.

DESCRIPTION

FIG. 1 is a front perspective-view of a chair;
FIG. 2 is a front view thereof;
FIG. 3 is a left-side view thereof;
FIG. 4 is a back view thereof;
FIG. 5 is a right-side view thereof;
FIG. 6 is a top view thereof; and,
FIG. 7 is a bottom view thereof.

1 Claim, 7 Drawing Sheets



(56)

References Cited

U.S. PATENT DOCUMENTS

D646,915 S	10/2011	Schweikarth et al.	
D649,796 S	12/2011	Lievore et al.	
D650,617 S	12/2011	Chen	
D652,646 S	1/2012	Fujita	
D653,467 S *	2/2012	Ballendat	D6/366
D654,280 S	2/2012	Fujita	
D656,752 S *	4/2012	Moll	D6/366
D658,904 S	5/2012	Chen	
D661,505 S *	6/2012	Ballendat	D6/366
D665,589 S	8/2012	Wagner	
D665,590 S *	8/2012	Wagner	D6/366
D666,032 S	8/2012	Su	
D671,330 S	11/2012	Izawa	
D671,332 S	11/2012	Izawa	
D671,759 S	12/2012	Hurford	
D679,107 S	4/2013	Darrow et al.	
D683,172 S	5/2013	Su	
D683,552 S	6/2013	Wu	
D683,574 S	6/2013	Su	
D687,641 S	8/2013	Barrell	
D694,541 S *	12/2013	Breen	D6/366
D695,538 S *	12/2013	Geelen	D6/366
D697,330 S	1/2014	Chen	
D701,068 S	3/2014	Usumoto et al.	
D702,977 S	4/2014	Bonneywell	
D703,966 S	5/2014	Wu	
D708,882 S	7/2014	Hsuan-Chin	
D714,069 S	9/2014	Cvek	
D736,532 S *	8/2015	Ballendat	D6/366
D758,087 S	6/2016	Bonneywell	
D767,320 S	9/2016	Xingchang	
D768,401 S *	10/2016	Lievore	D6/366
D773,199 S	12/2016	Neil	
D781,604 S *	3/2017	Smith	D6/366
D781,605 S *	3/2017	Smith	D6/366
9,648,957 B2 *	5/2017	Su	A47C 7/46

* cited by examiner

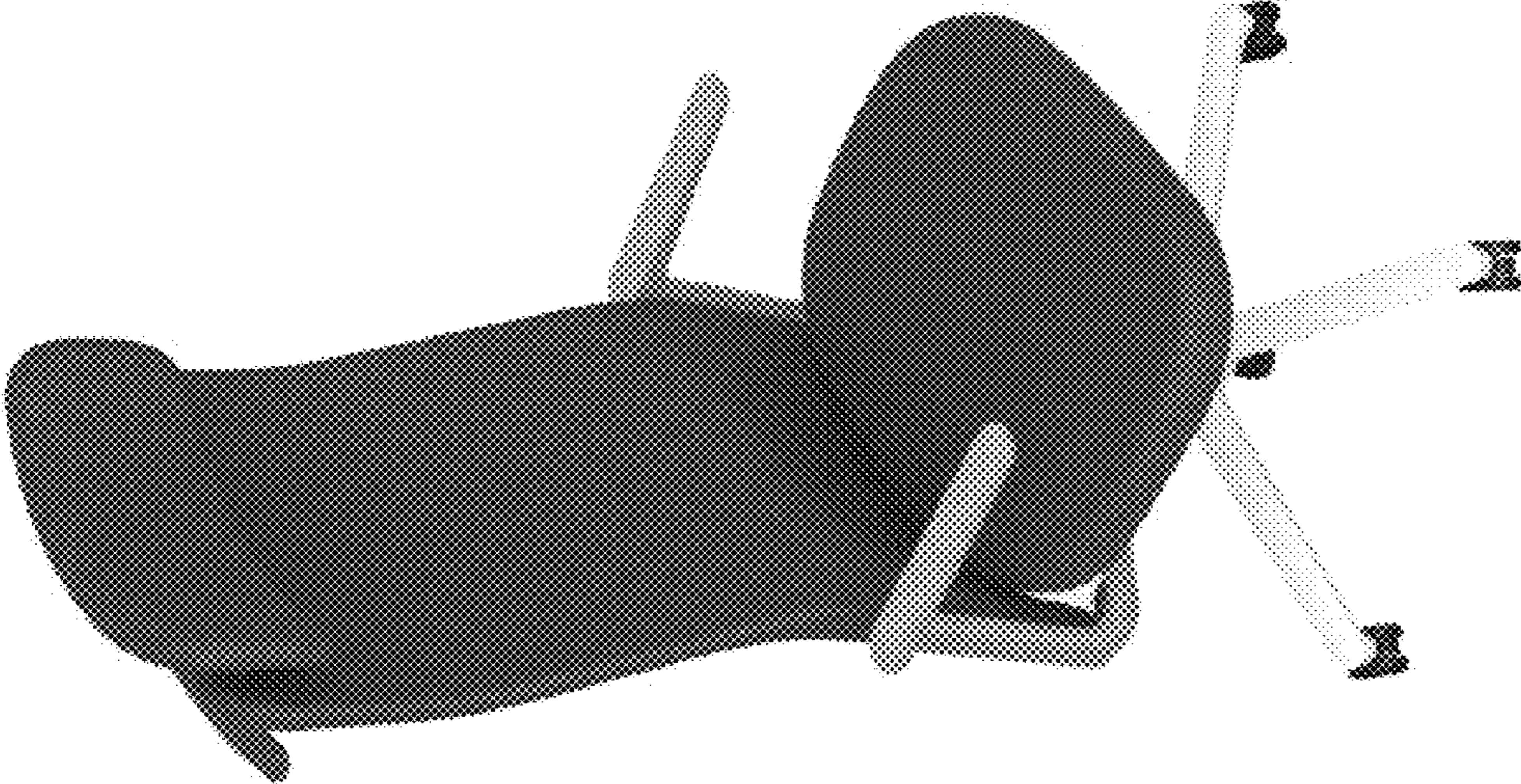


Fig. 1

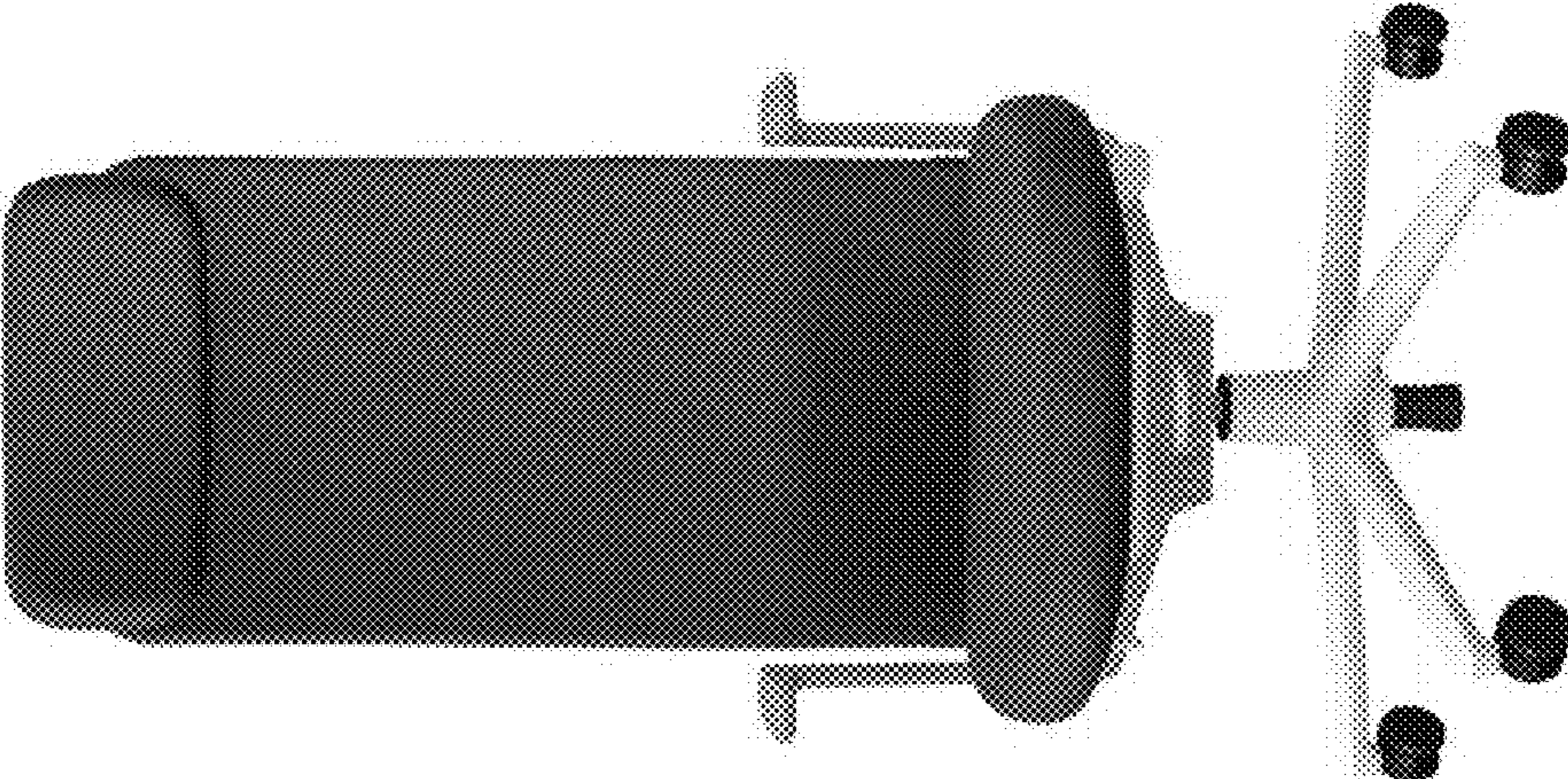


Fig. 2

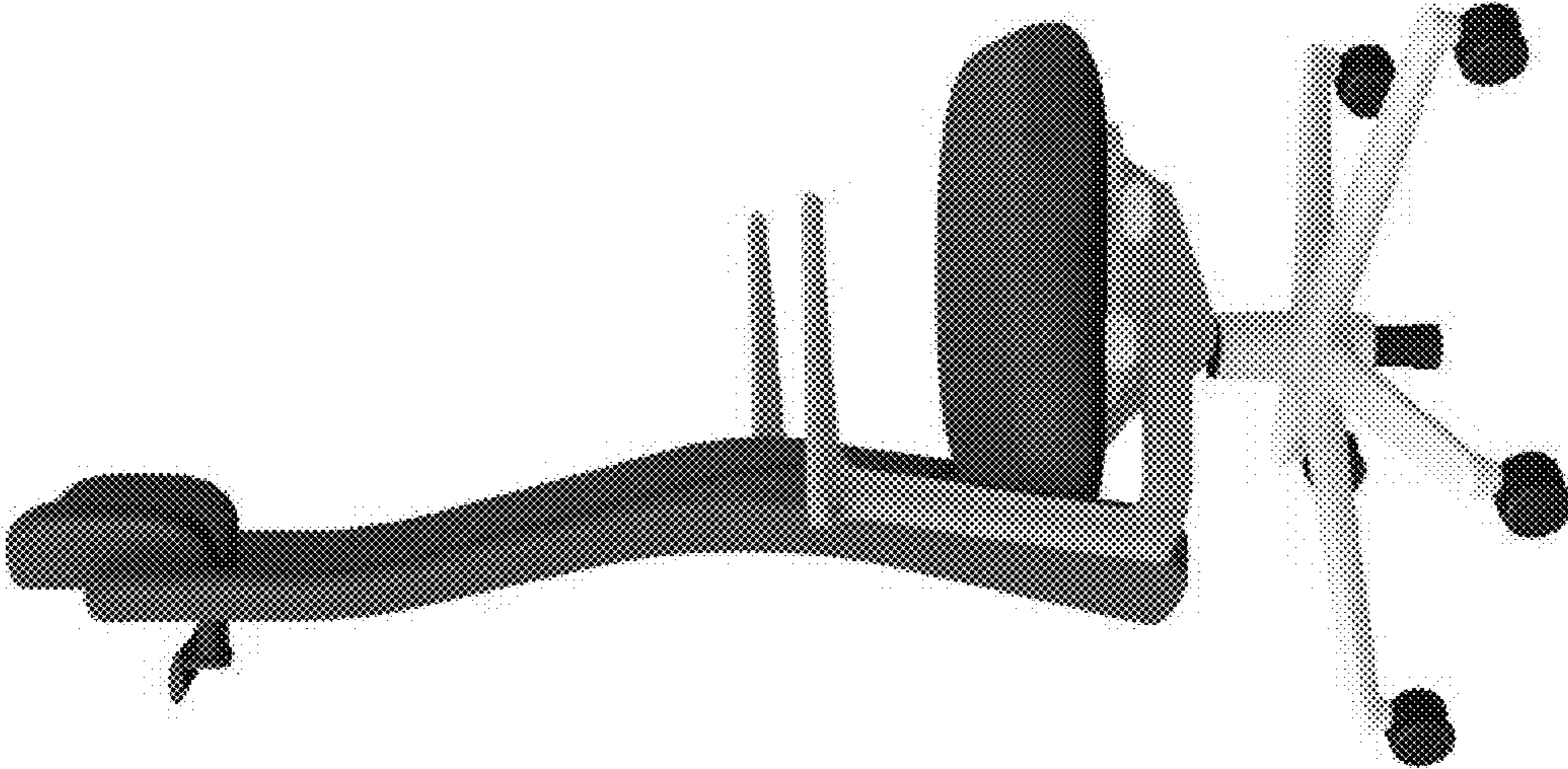


Fig. 3

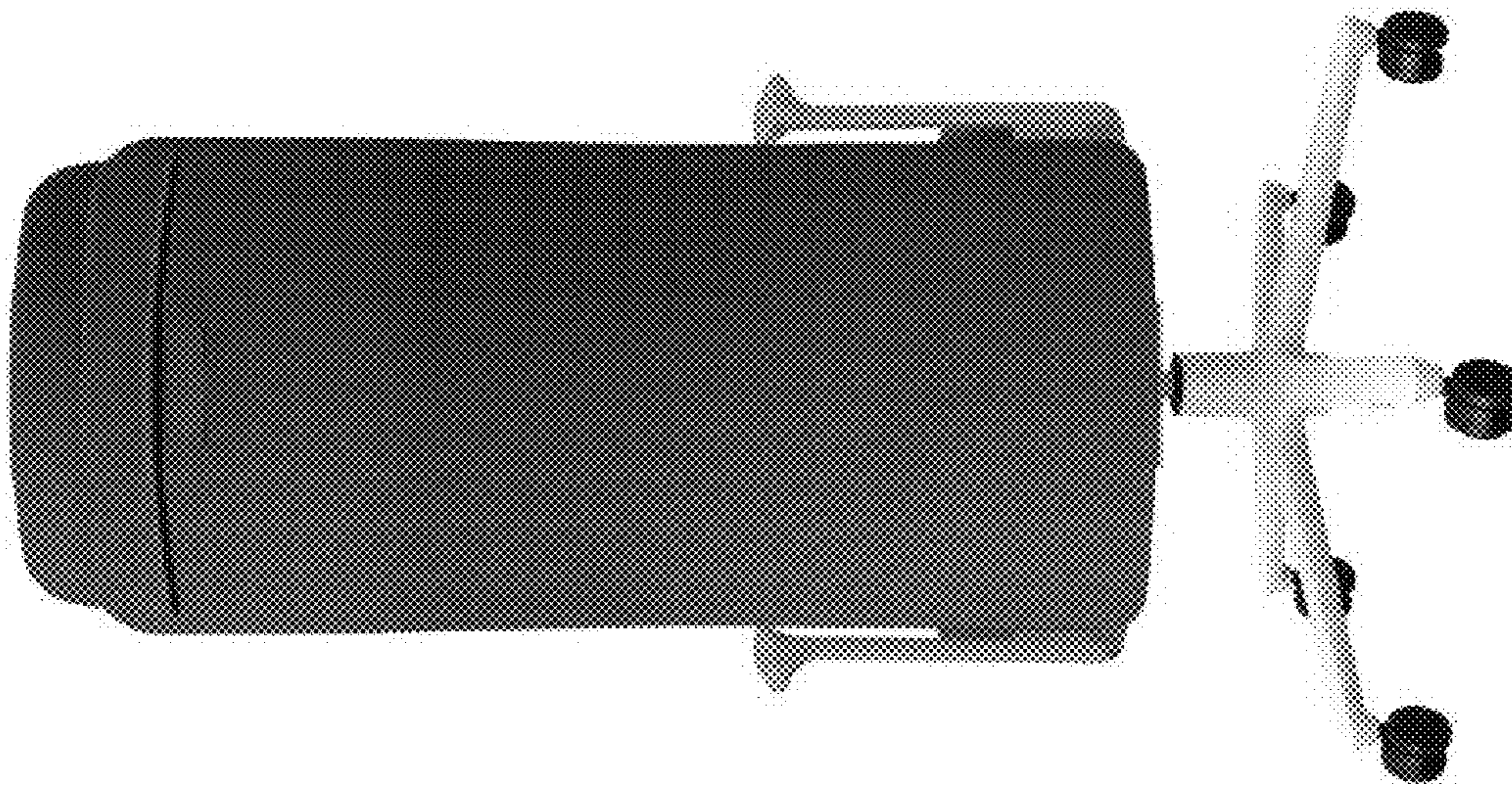


Fig. 4

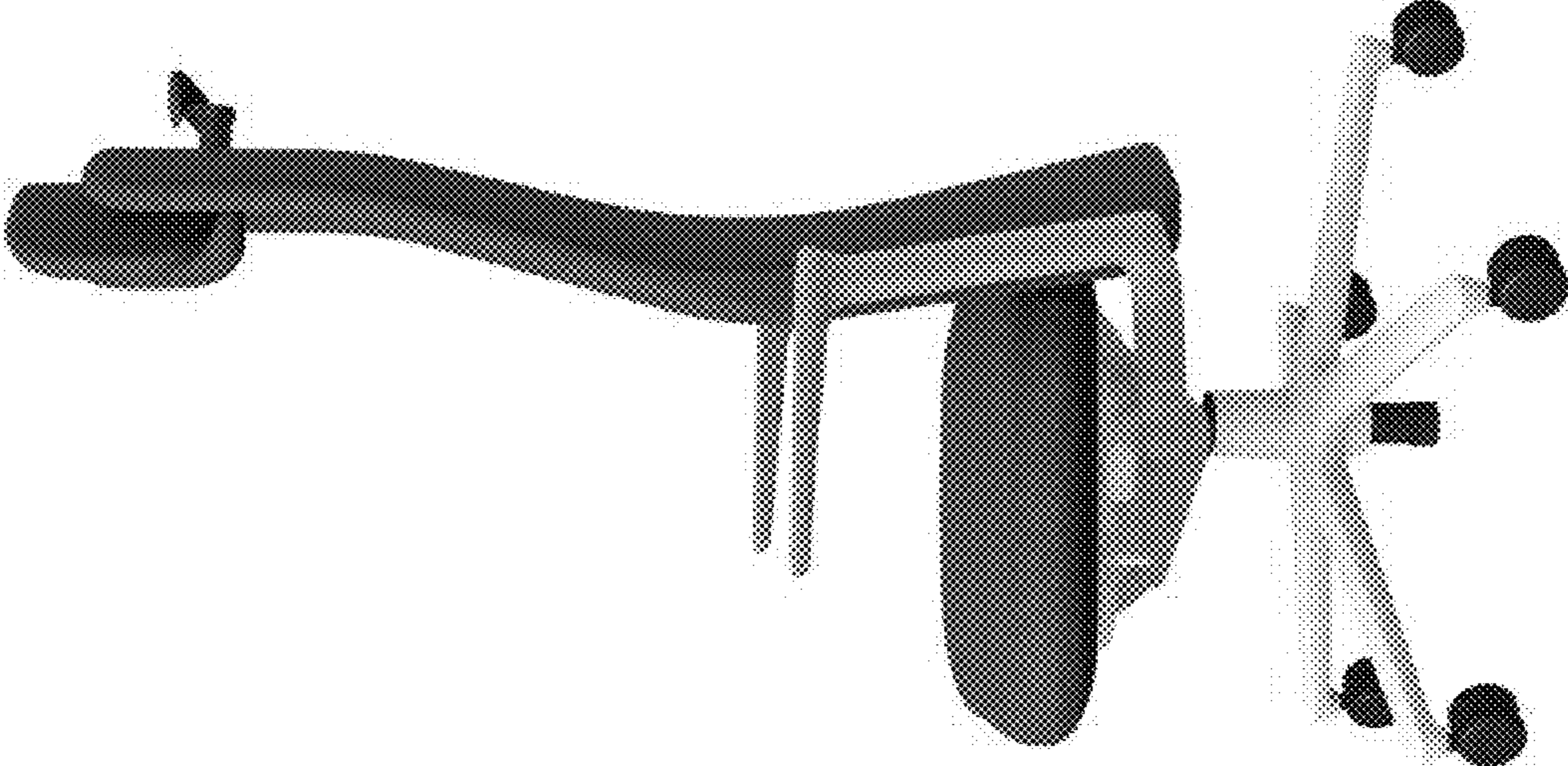


Fig. 5

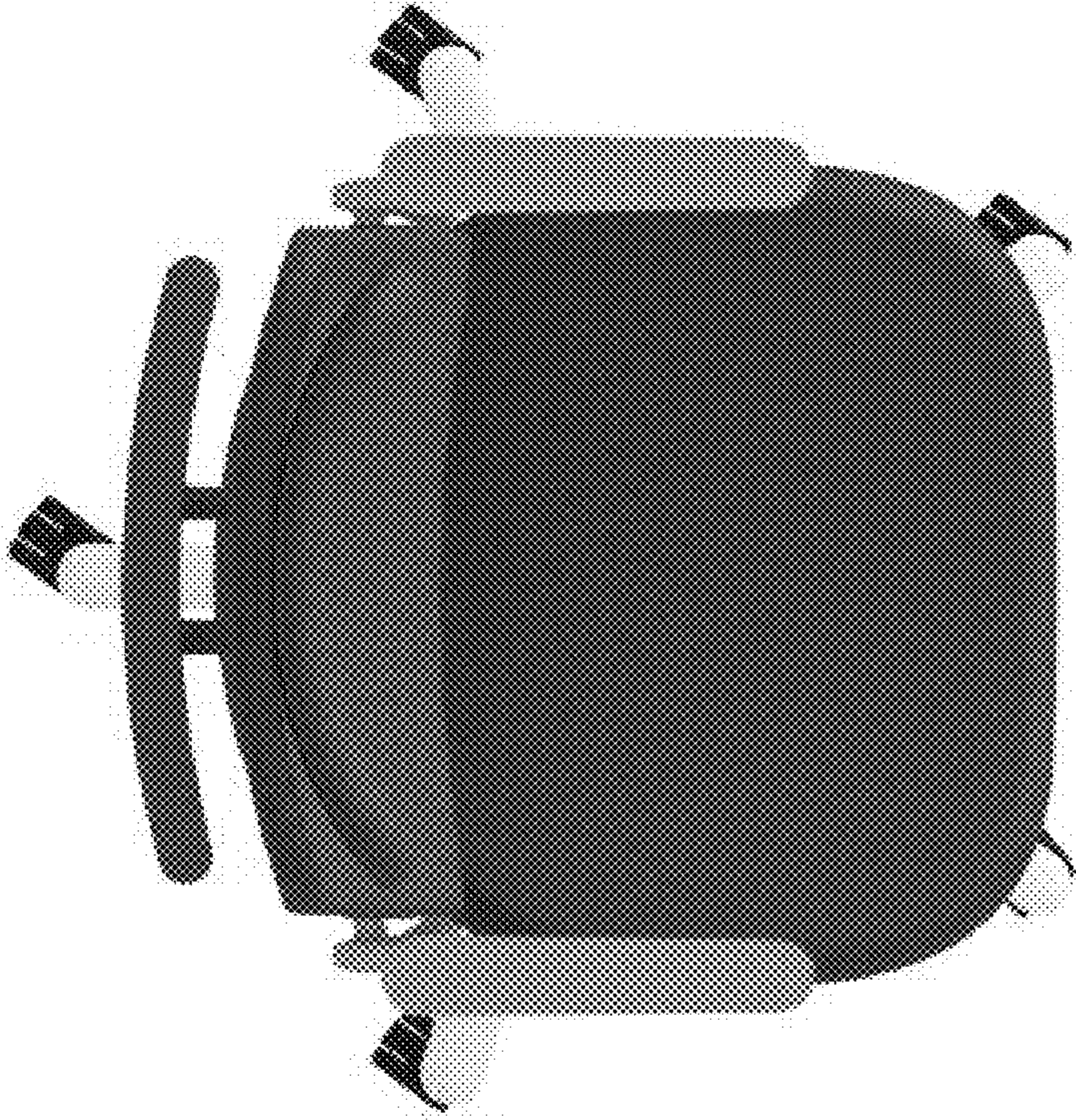


Fig. 6

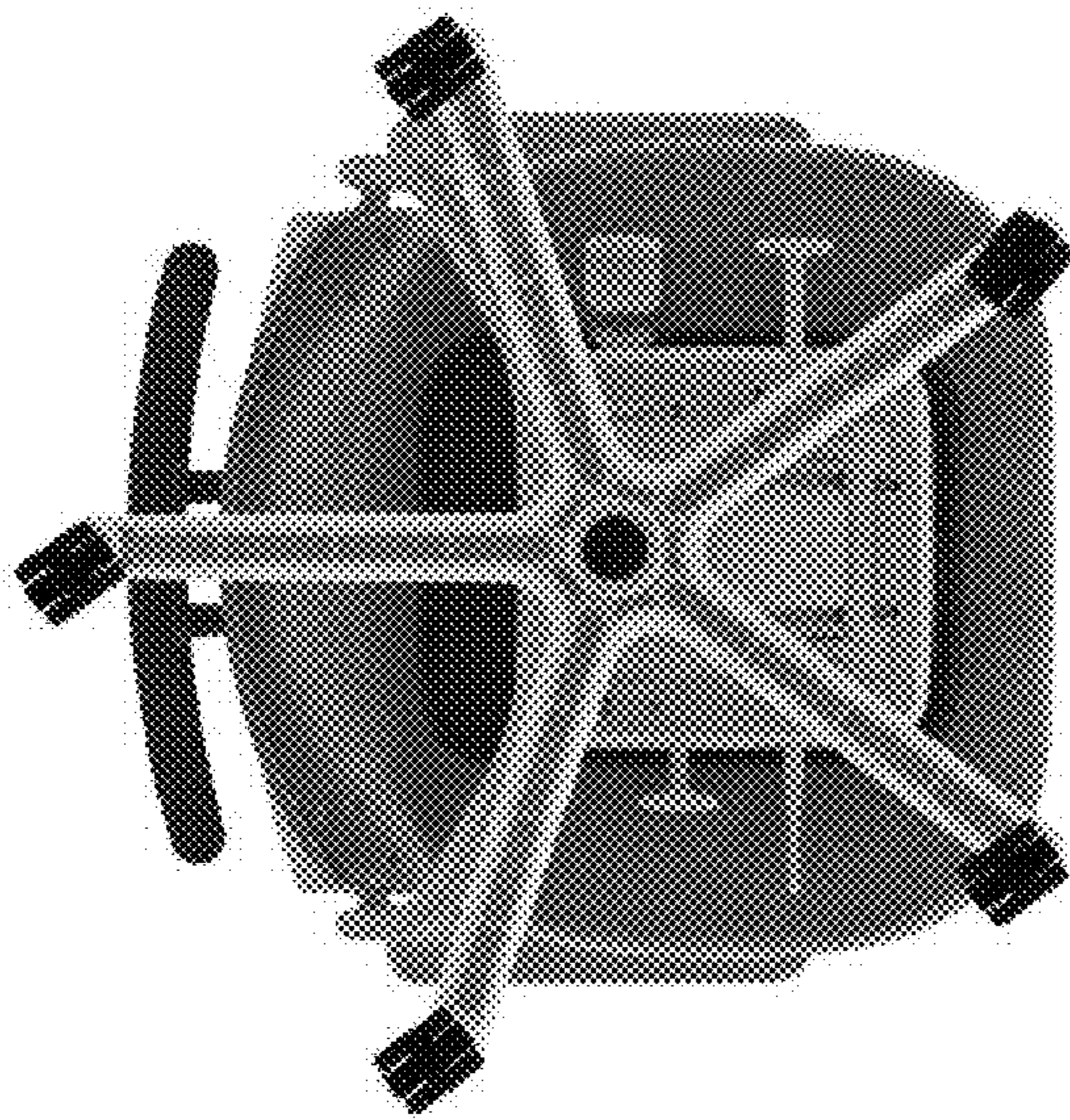


Fig. 7