



US00D800468S

(12) **United States Design Patent**
Mbongo

(10) **Patent No.:** **US D800,468 S**

(45) **Date of Patent:** **** Oct. 24, 2017**

(54) **CHAIR**

(71) Applicant: **Pierre D. Mbongo**, Columbia, MD
(US)

(72) Inventor: **Pierre D. Mbongo**, Columbia, MD
(US)

(**) Term: **15 Years**

(21) Appl. No.: **29/562,660**

(22) Filed: **Apr. 27, 2016**

(51) **LOC (10) Cl.** **06-01**

(52) **U.S. Cl.**

USPC **D6/363**; D23/299

(58) **Field of Classification Search**

USPC D6/334, 349–350, 364–368, 374, 375,
D6/379, 380, 403, 405, 406.6, 654–654.1,
D6/678–678.2, 682.1–682.6, 684–686,
D6/691, 691.8–691.9, 698, 699, 705,
D6/705.5, 707.19, 708, 708.21, 716;
297/284.4, 452.18, 452.24, 452.26,
297/452.28, 452.32–33, 452.37; 4/484;
D23/299

CPC A47C 7/02; A47C 7/44; A47C 7/46; A47C
7/48; A47C 7/54; A47C 7/386; A47C
7/462; A47C 1/10; A47C 1/031; B60N
2/02; B60N 2/22; B60N 2/44

See application file for complete search history.

(56) **References Cited**

U.S. PATENT DOCUMENTS

1,978,871 A * 10/1934 Thuren A47K 11/04
4/484
5,265,285 A * 11/1993 Loebbert A47K 11/04
4/484
6,523,187 B1 * 2/2003 Brink A47K 11/06
383/37
7,634,822 B2 * 12/2009 Smithson A47D 5/00
4/465
7,802,323 B2 * 9/2010 Al-Mutairi A47K 11/04
4/321

7,857,380 B2 * 12/2010 Grieger A47K 11/04
297/188.1
7,975,326 B1 * 7/2011 Wilson A47K 11/06
4/451
D650,606 S * 12/2011 Radice D6/375
8,079,097 B2 * 12/2011 Deutsch A47K 11/04
297/338
D724,340 S * 3/2015 Trocchia D6/363
2005/0188455 A1 * 9/2005 Sharp A47K 11/06
4/484
2006/0080768 A1 * 4/2006 Smith A47K 11/04
4/484
2007/0017015 A1 * 1/2007 Finell A47K 11/06
4/483

OTHER PUBLICATIONS

The Creative Collage [online] found on Jul. 18, 2017 from
URLhttps://thecreativecollage.wordpress.com/category/diy/page/
3/.*

* cited by examiner

Primary Examiner — Manpreet Matharu

Assistant Examiner — Keith Wilson

(74) *Attorney, Agent, or Firm* — Rahman LLC

(57) **CLAIM**

The ornamental design for a chair, as shown and described.

DESCRIPTION

FIG. 1 is a top and front angled perspective view of a chair
showing my new design;

FIG. 2 is a bottom and front angled perspective view of the
chair;

FIG. 3 is a rear view of the chair;

FIG. 4 is a front view of the chair;

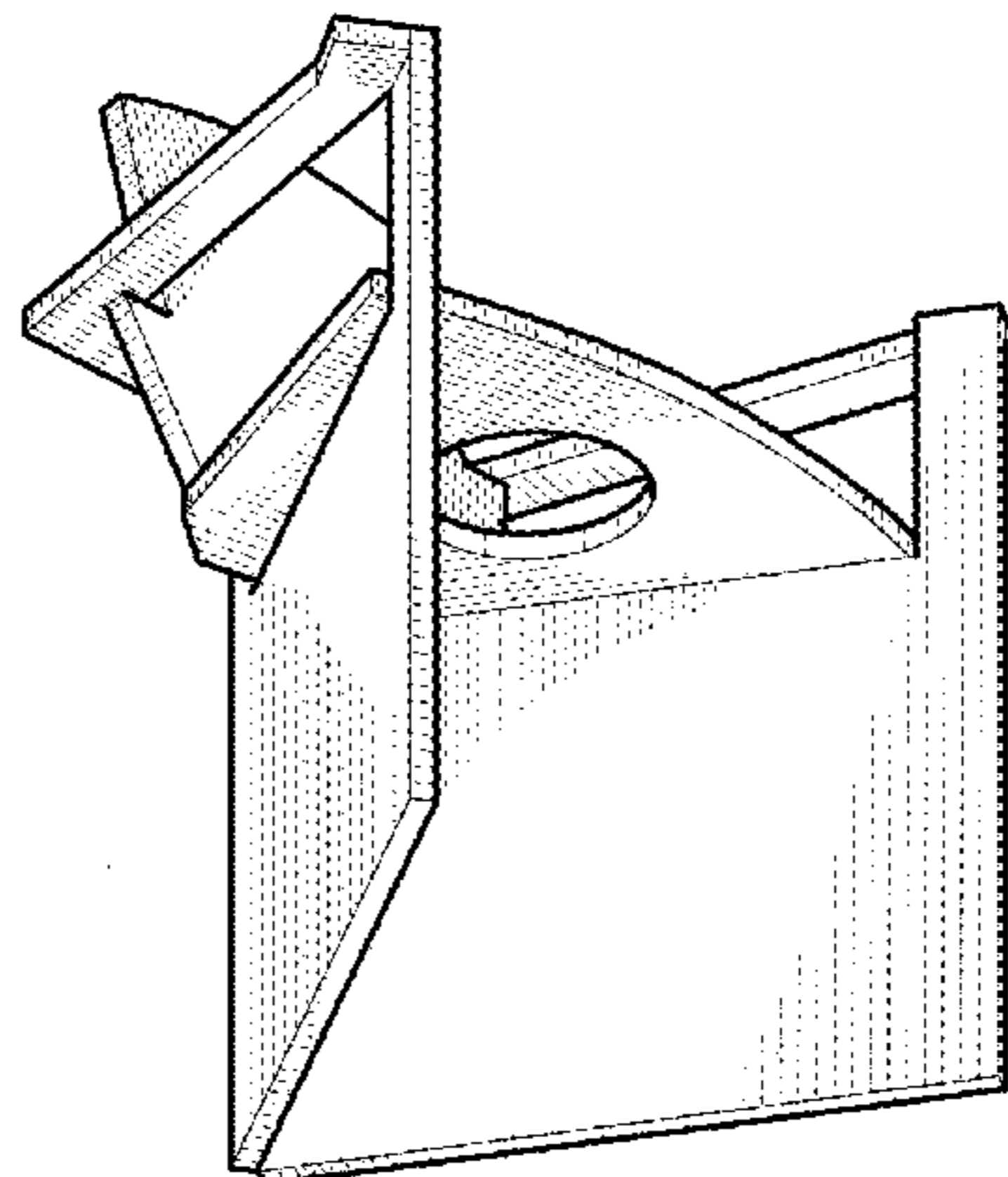
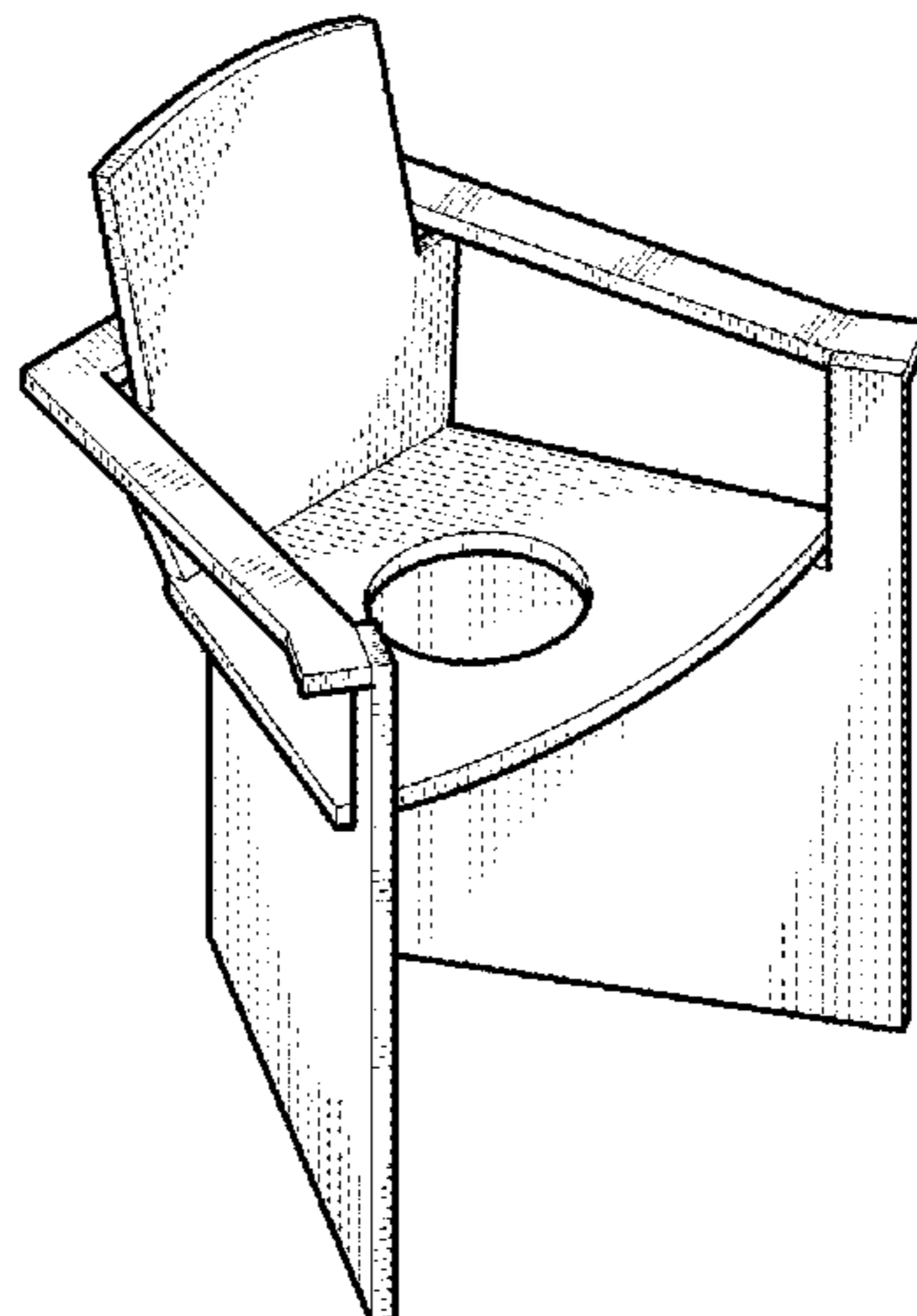
FIG. 5 is a right side view of the chair;

FIG. 6 is a left side view of the chair;

FIG. 7 is a bottom view of the chair; and,

FIG. 8 is a top view of the chair.

1 Claim, 8 Drawing Sheets



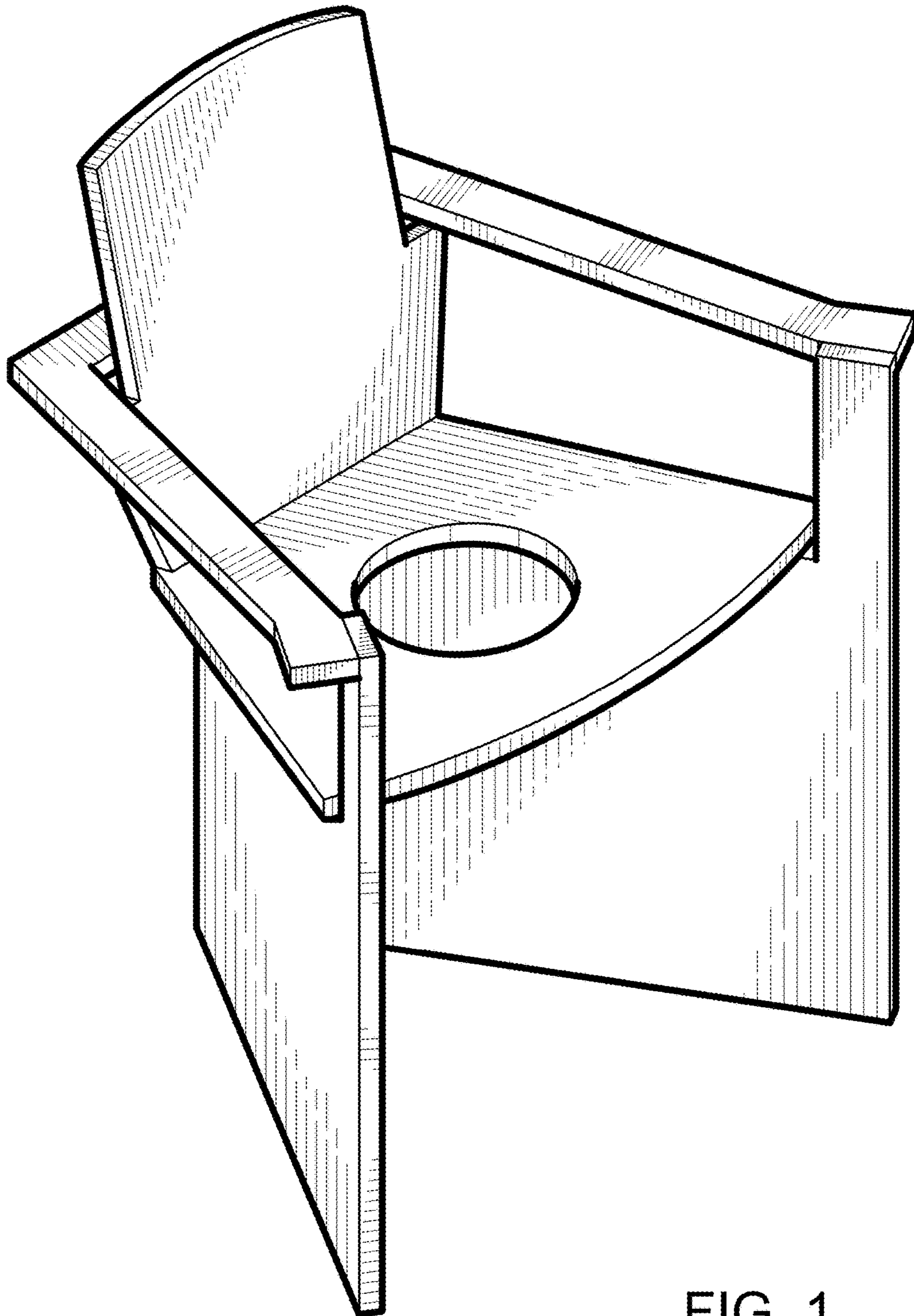


FIG. 1

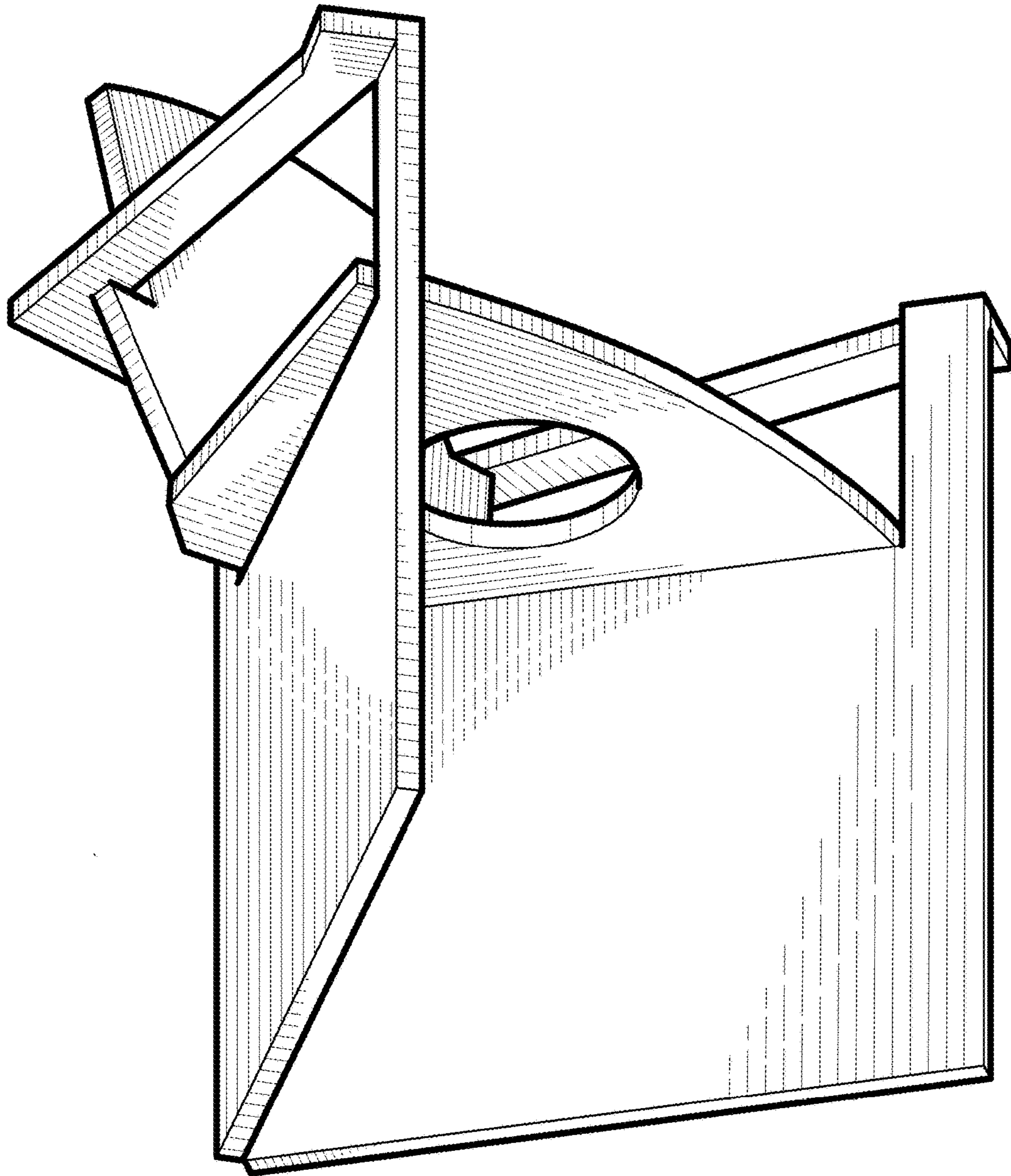


FIG. 2

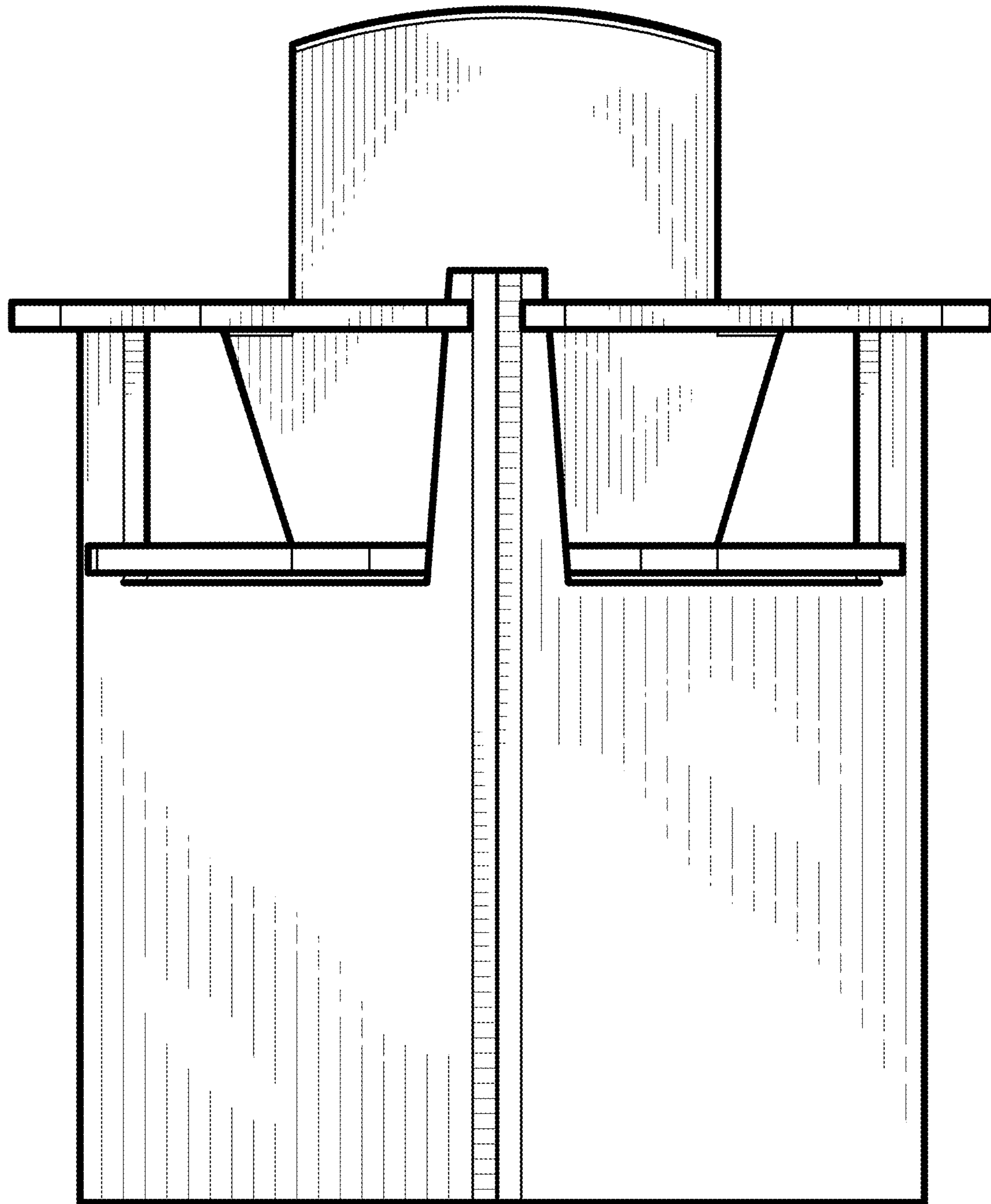


FIG. 3

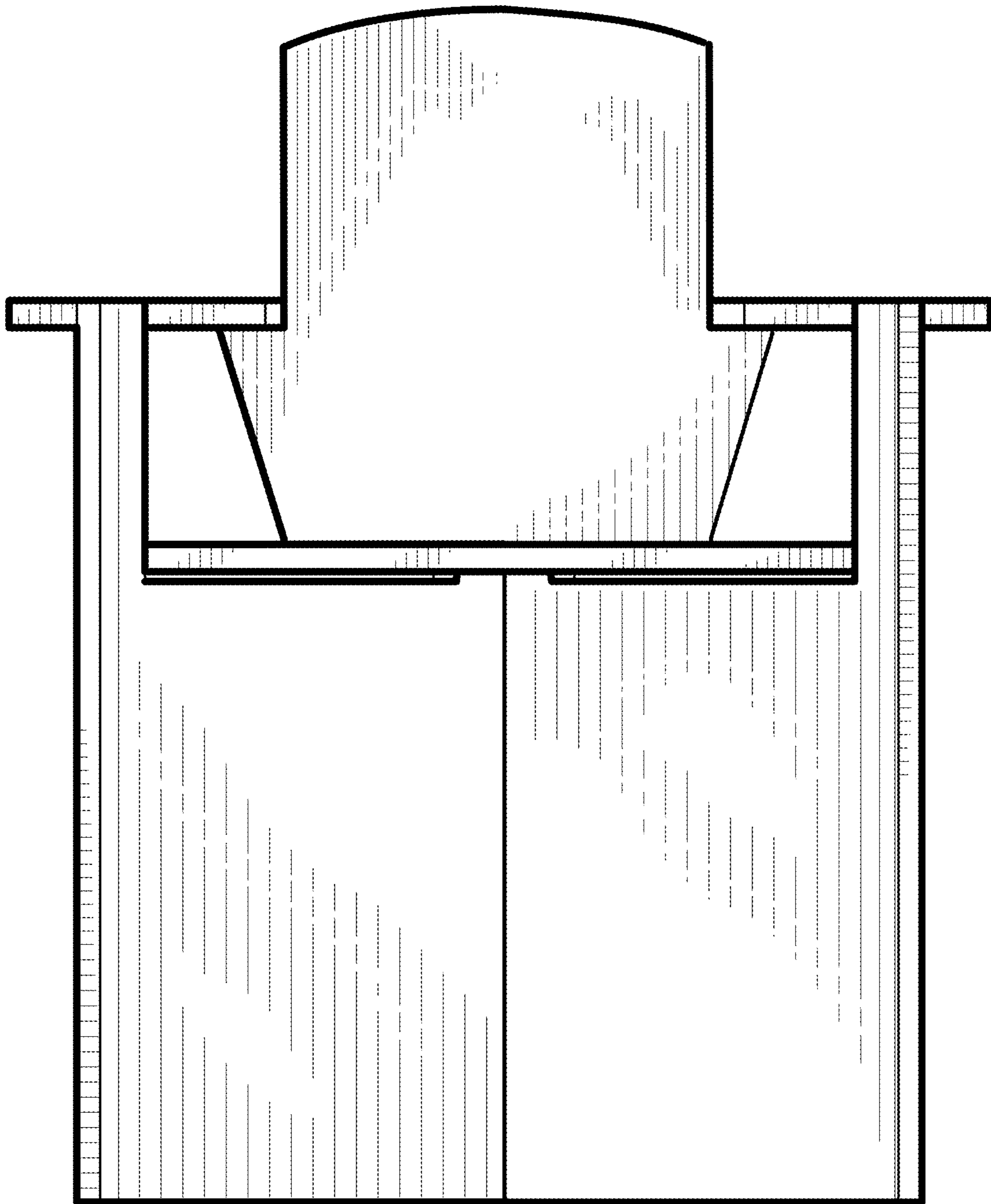


FIG. 4

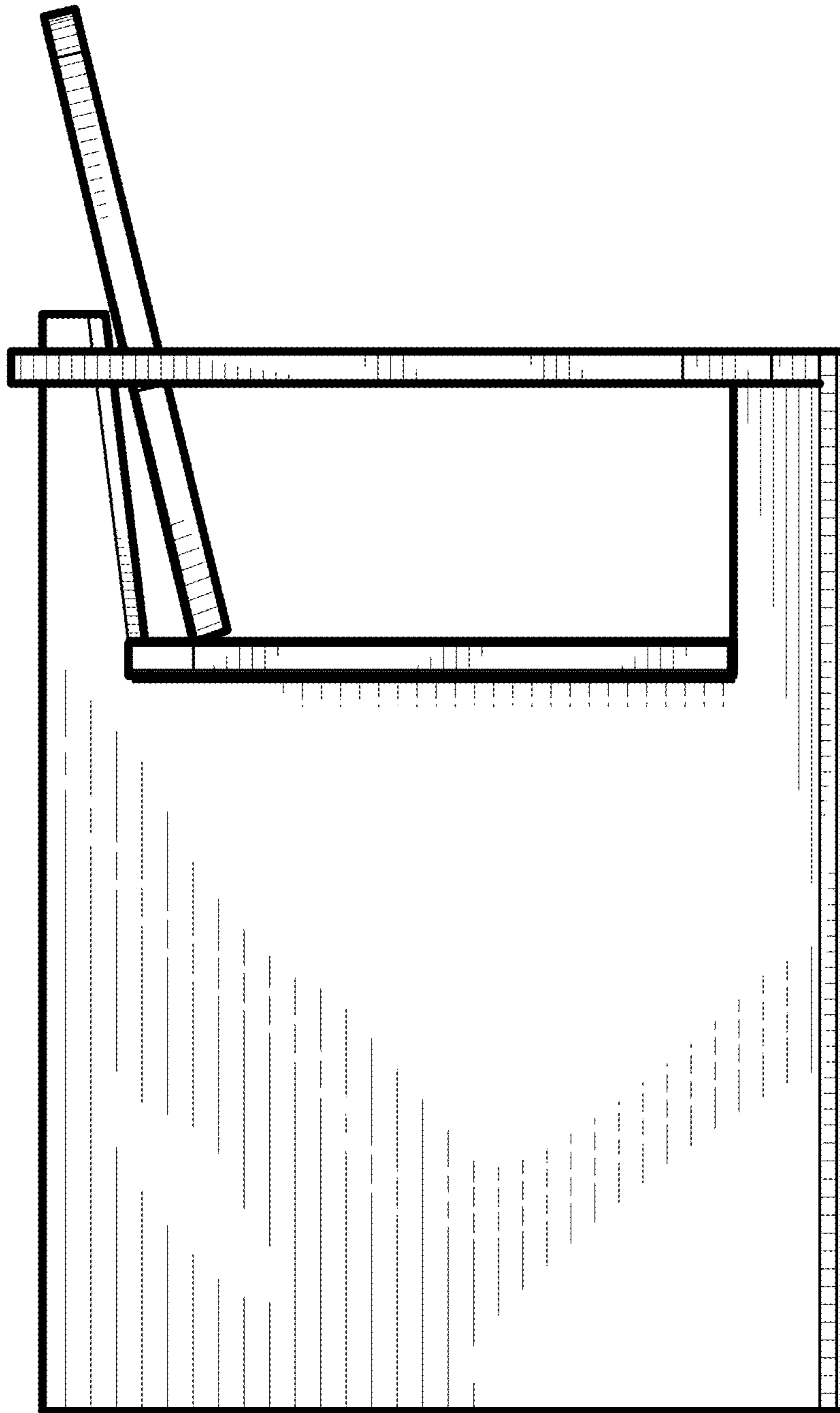


FIG. 5

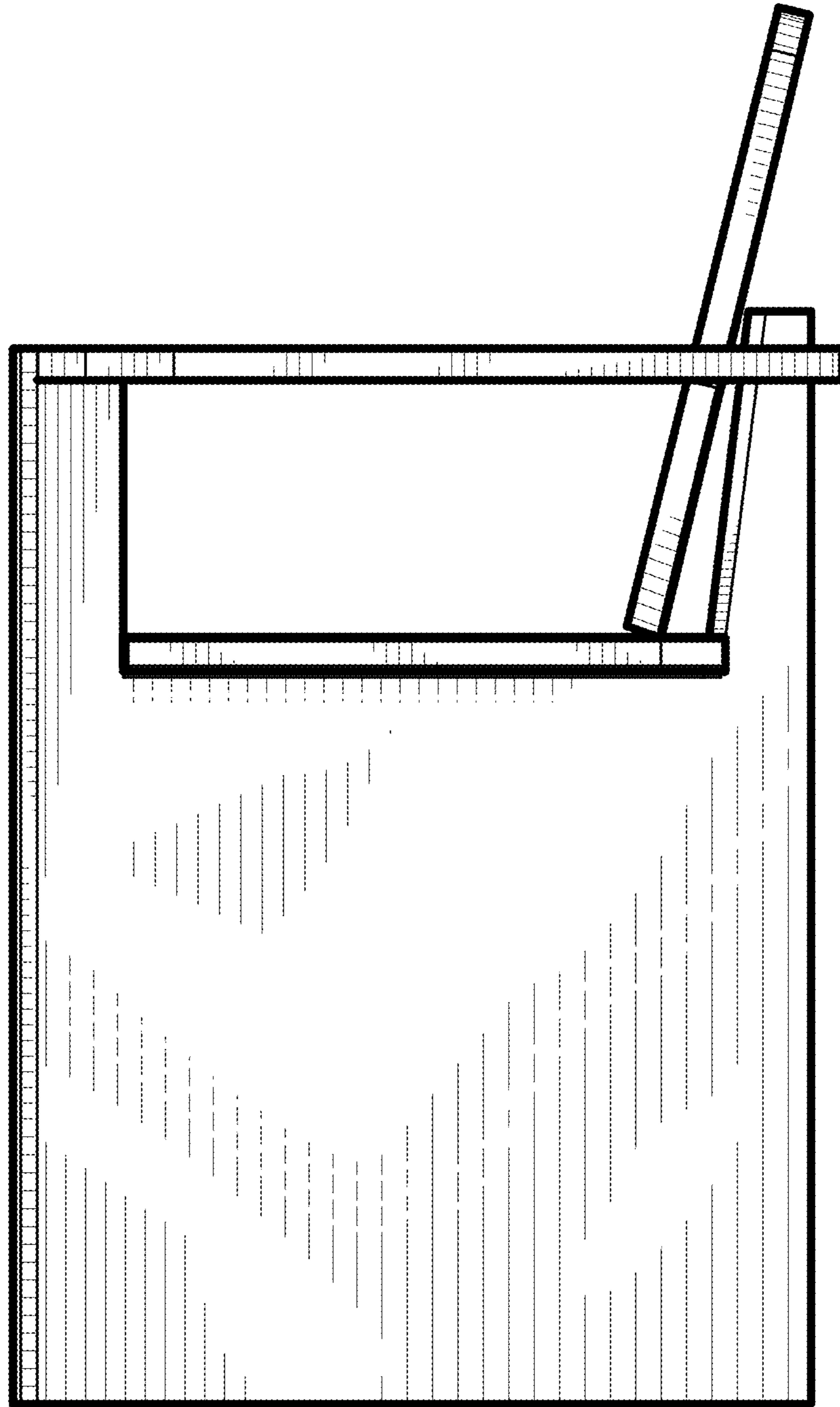


FIG. 6

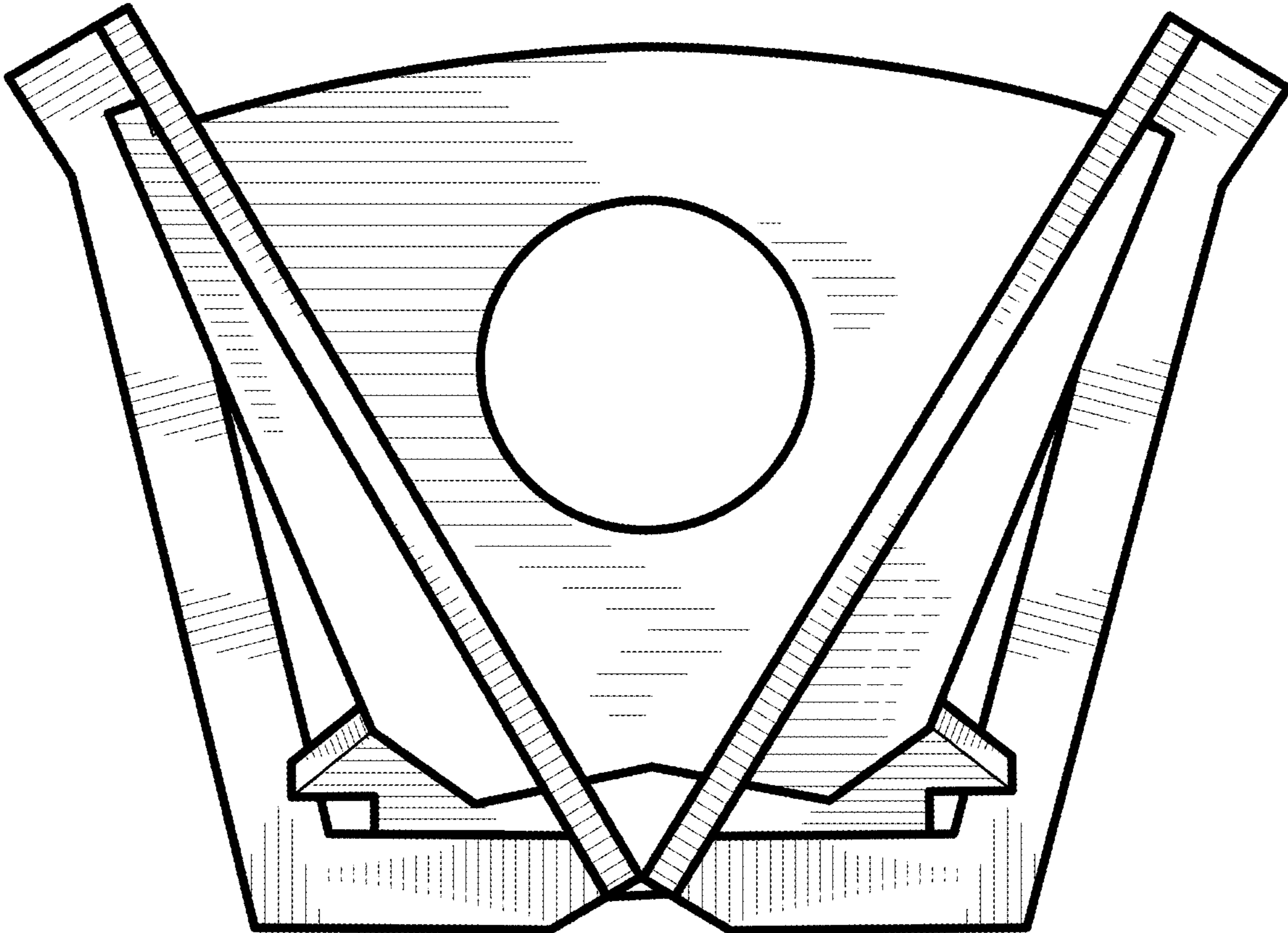


FIG. 7

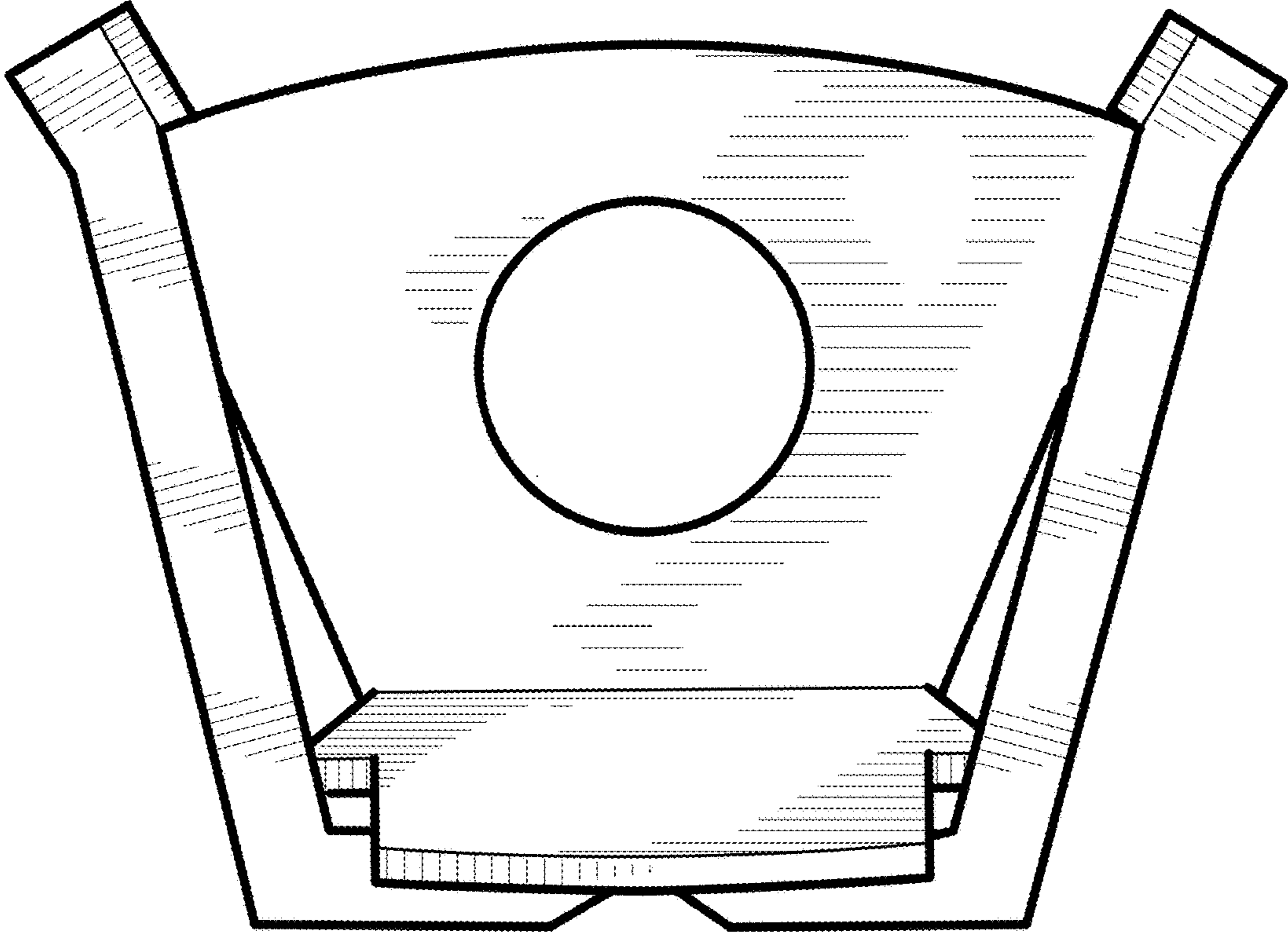


FIG. 8