



US00D800461S

(12) **United States Design Patent**
Chipperfield

(10) **Patent No.:** **US D800,461 S**

(45) **Date of Patent:** **** Oct. 24, 2017**

- (54) **STOOL**
- (71) Applicant: **e15 Design und Distributions GmbH**,
Frankfurt am Main (DE)
- (72) Inventor: **David Chipperfield**, Berlin (DE)
- (73) Assignee: **e15 Design und Distributions GmbH**,
Frankfurt am Main (DE)
- (**) Term: **15 Years**
- (21) Appl. No.: **29/596,529**
- (22) Filed: **Mar. 9, 2017**

D322,872 S *	12/1991	Holbrook	119/28.5
D361,899 S *	9/1995	Wolff	D6/349
D364,281 S *	11/1995	Eason	D6/349
D399,067 S *	10/1998	Harrison	D6/349
6,142,560 A *	11/2000	Miller	A47B 3/14 297/158.4
D438,025 S *	2/2001	Lopez	D6/349
D465,936 S *	11/2002	Arnold	D6/349
D703,450 S *	4/2014	Gelman	D6/349
D727,644 S *	4/2015	Sorel	D6/349
D779,843 S *	2/2017	Cohen	D6/349
D779,844 S *	2/2017	Cohen	D6/349
D784,740 S *	4/2017	Chipperfield	D6/337
D790,893 S *	7/2017	Grossinger	D6/691
2015/0021970 A1 *	1/2015	Revta	A47C 9/10 297/452.1

* cited by examiner

Related U.S. Application Data

- (62) Division of application No. 29/523,495, filed on Apr. 10, 2015, now Pat. No. Des. 784,740.
- (51) **LOC (10) Cl.** **06-01**
- (52) **U.S. Cl.**
USPC **D6/349**
- (58) **Field of Classification Search**
USPC D6/349, 334, 350, 355, 360, 363, 374,
D6/691, 691.4, 692
CPC A47C 9/00; A47C 9/04; A47C 9/10; A47C
11/00; A47C 12/00; A47C 16/02
See application file for complete search history.

Primary Examiner — Robin V Webster
Assistant Examiner — James C Thorn, Sr.
 (74) *Attorney, Agent, or Firm* — Ladas & Parry LLP

(57) **CLAIM**

The ornamental design for a stool, as shown and described.

DESCRIPTION

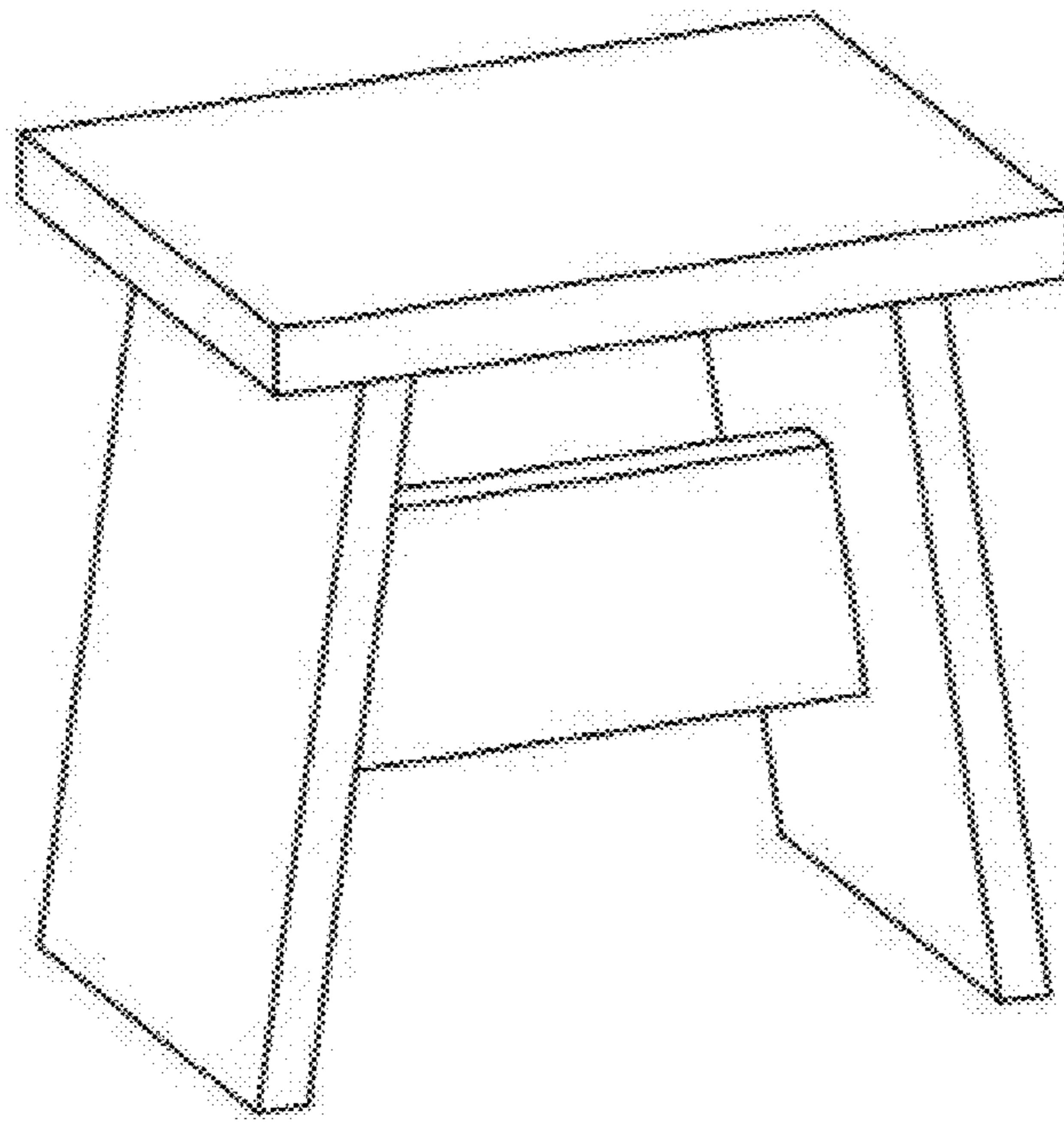
FIG. 1 is a front perspective view for a stool showing my new design;
 FIG. 2 is a front elevational view thereof;
 FIG. 3 is a rear elevational view thereof;
 FIG. 4 is a left side elevational view thereof;
 FIG. 5 is a right side elevational view thereof;
 FIG. 6 is a top plan view thereof; and,
 FIG. 7 is a bottom plan view thereof.

1 Claim, 7 Drawing Sheets

(56) **References Cited**

U.S. PATENT DOCUMENTS

D217,145 S *	4/1970	Kilewer	D6/349
D229,800 S *	1/1974	Jones	D6/348
D314,297 S *	2/1991	Holl	D6/691



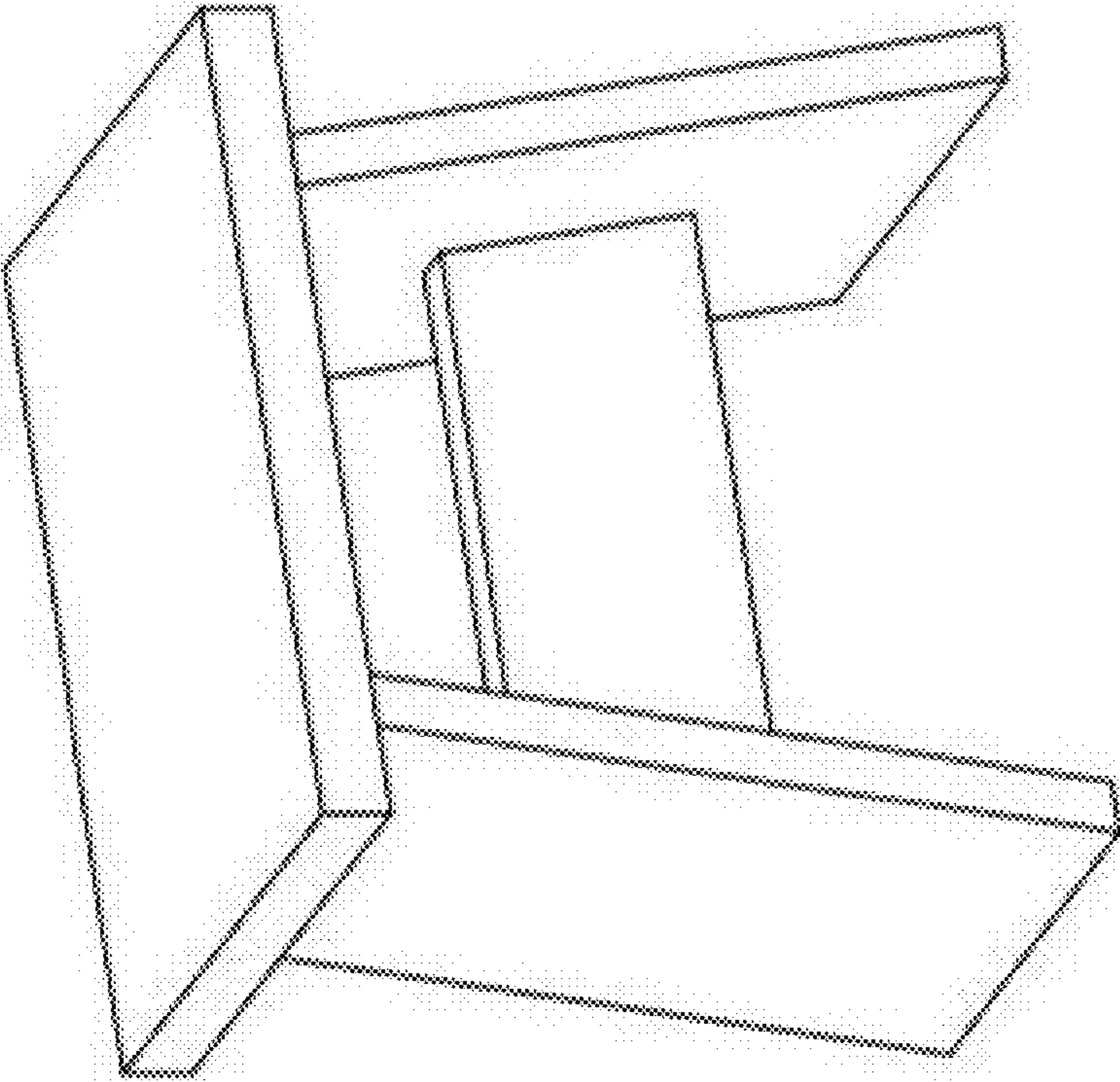


FIG. 1

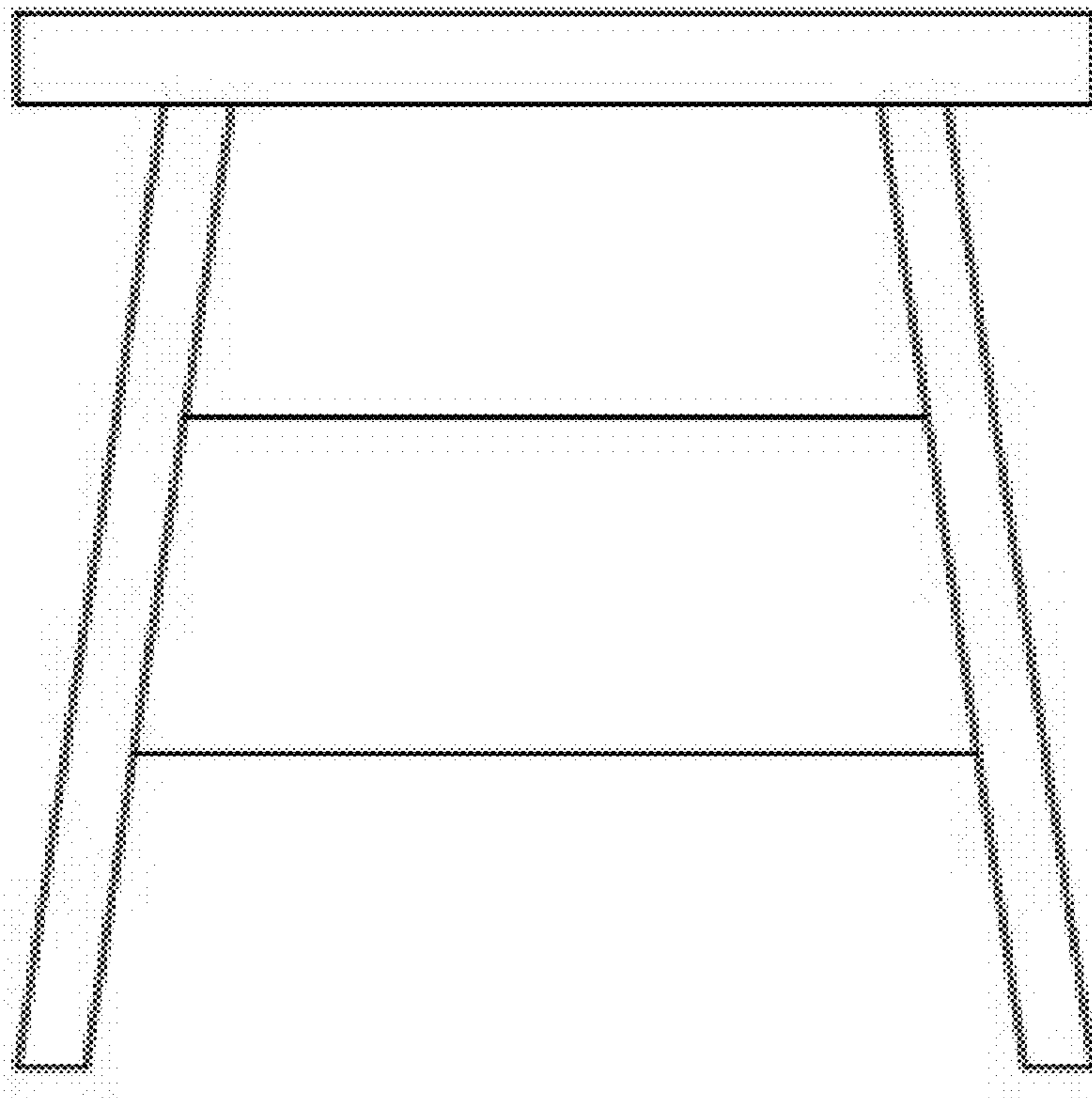


FIG. 2

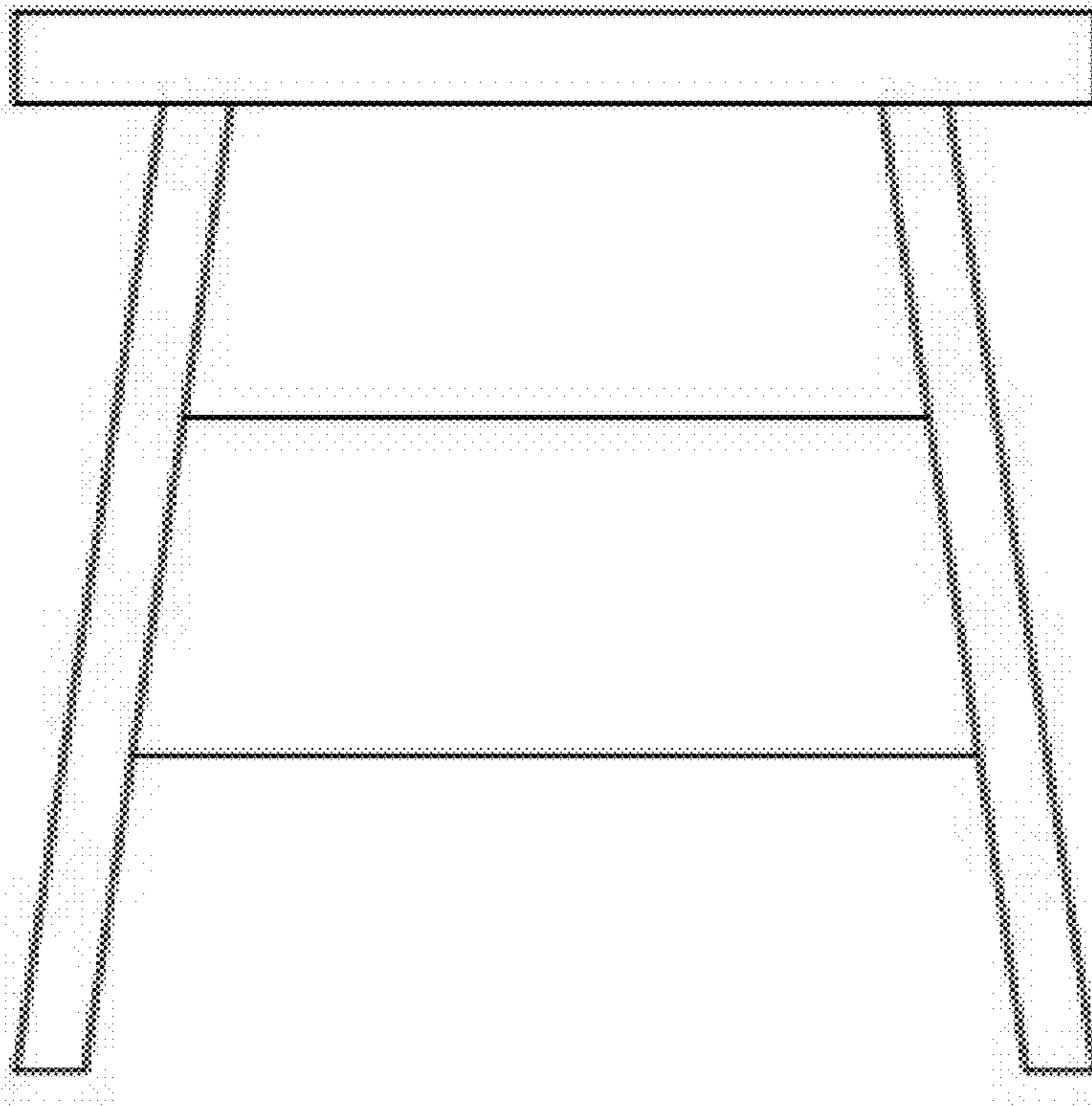


FIG. 3

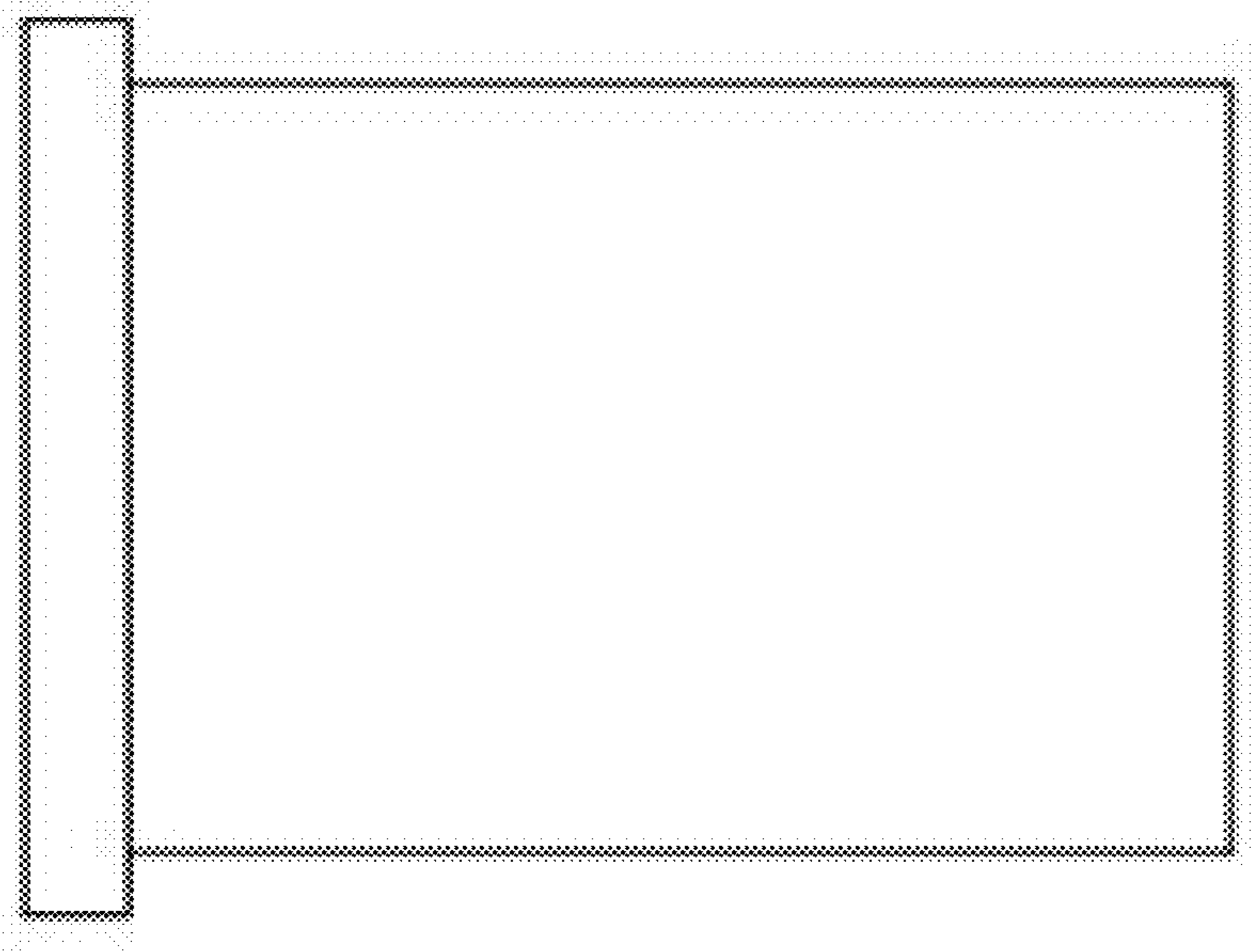


FIG. 4

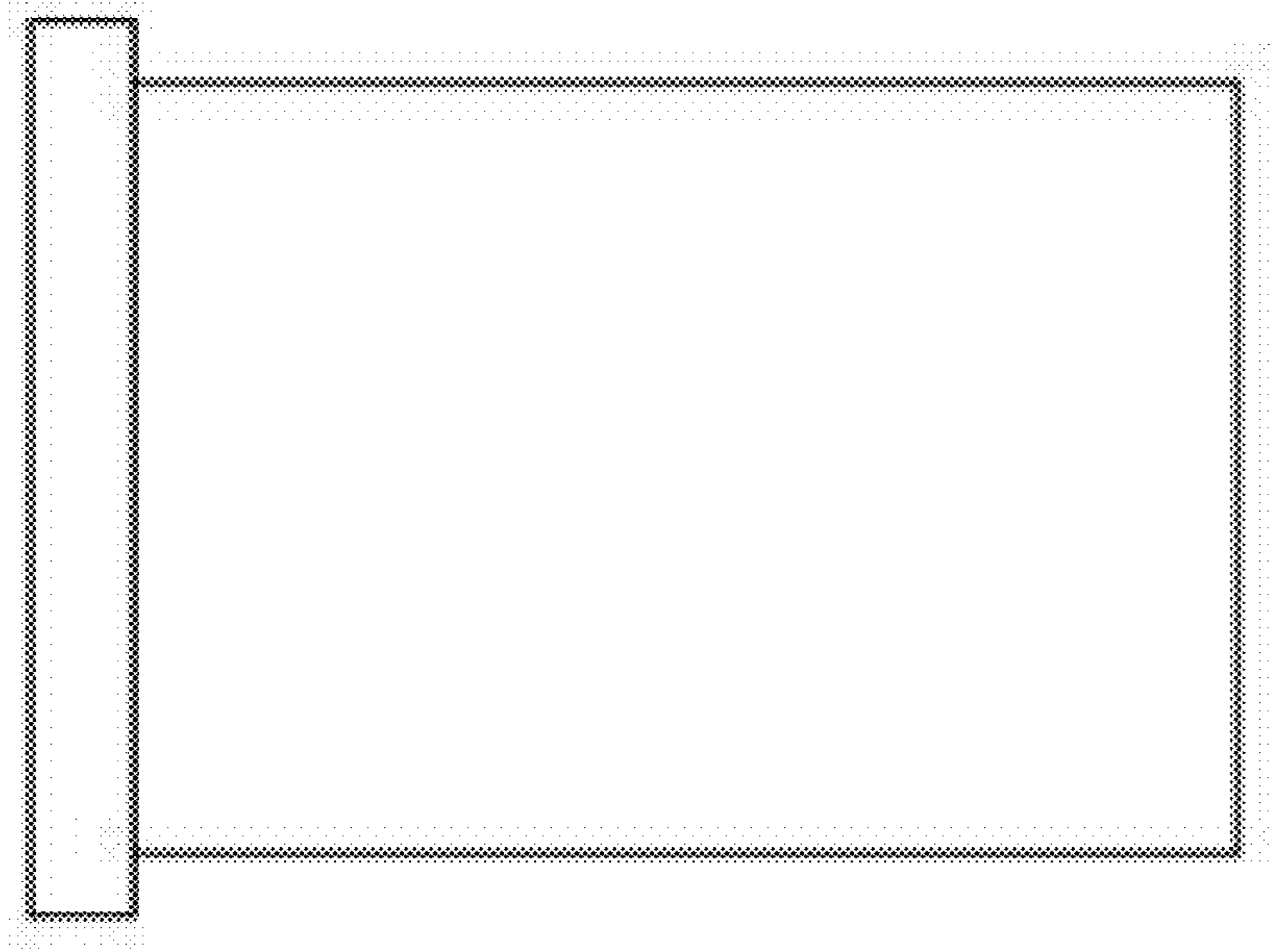


FIG. 5

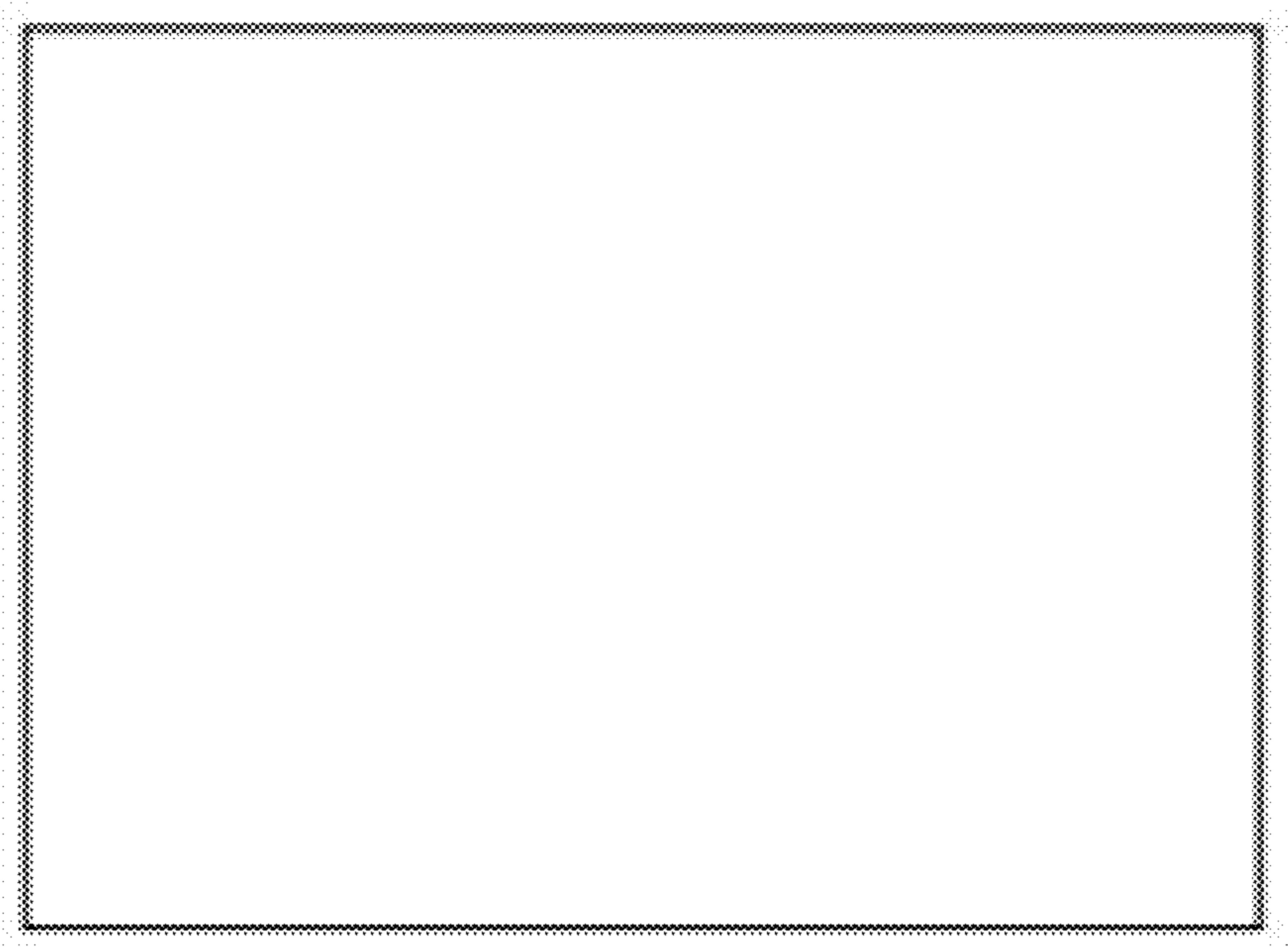


FIG. 6

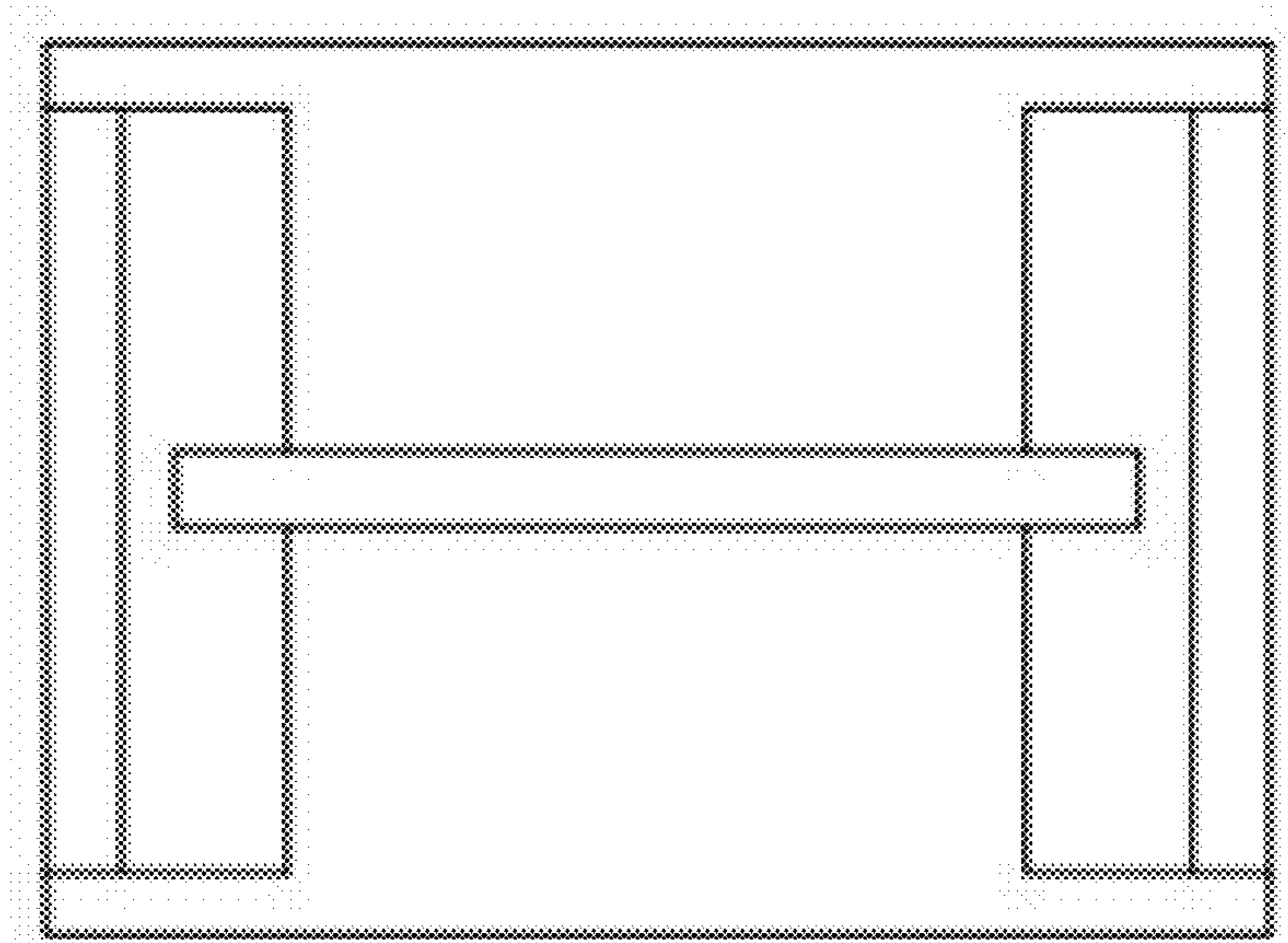


FIG. 7