



US00D800460S

(12) **United States Design Patent**
Rockwell et al.

(10) **Patent No.:** **US D800,460 S**
(45) **Date of Patent:** **** Oct. 24, 2017**

- (54) **OTTOMAN**
- (71) Applicant: **Knoll, Inc.**, East Greenville, PA (US)
- (72) Inventors: **David Rockwell**, New York, NY (US);
Barry Richards, New York, NY (US)
- (73) Assignee: **Knoll, Inc.**, East Greenville, PA (US)
- (**) Term: **15 Years**
- (21) Appl. No.: **29/564,509**
- (22) Filed: **May 13, 2016**
- (51) **LOC (10) Cl.** **06-01**
- (52) **U.S. Cl.**
USPC **D6/349**
- (58) **Field of Classification Search**
USPC D6/334, 349-355, 363, 360, 368, 374,
D6/403, 405, 657, 675.4, 685, 688.17,
D6/690, 691.9, 693-693.3, 695, 708,
D6/708.15-708.25, 709.11; D25/62-65
CPC A47C 9/00-9/105; A47C 7/00-7/02; A47C
16/00-16/04; A47B 7/00-7/02; A47B
3/00; A47B 3/02; A47B 3/04; A47B 3/12
See application file for complete search history.

- D618,935 S * 7/2010 Metcalf D6/349
- D681,371 S * 5/2013 Nagata D6/691.8
- D685,198 S * 7/2013 Arko D6/349
- D699,956 S * 2/2014 Beucler D6/349

OTHER PUBLICATIONS

NeoCon 2017 Knoll. [online] Retrieved on Jul. 10, 2017 from URL:
<https://www.knoll.com/design-plan/neocon-2017>.*

Modern Ottoman Black Leather. [online] Retrieved Jun. 27, 2017
from URL: <http://www.brandondunlap.com/best-contemporary-ottoman-furniture-designs/modern-ottoman-black-leather/>.*

Bank Mink Velvet Bench. [online] Retrieved Jun. 27, 2017 from
URL: <http://www.bludot.com/bank-mink-velvet-bench.html>.*

* cited by examiner

Primary Examiner — Vy N Koenig
(74) *Attorney, Agent, or Firm* — Buchanan Ingersoll &
Rooney PC

(57) **CLAIM**

The ornamental design for an ottoman, as shown and described.

DESCRIPTION

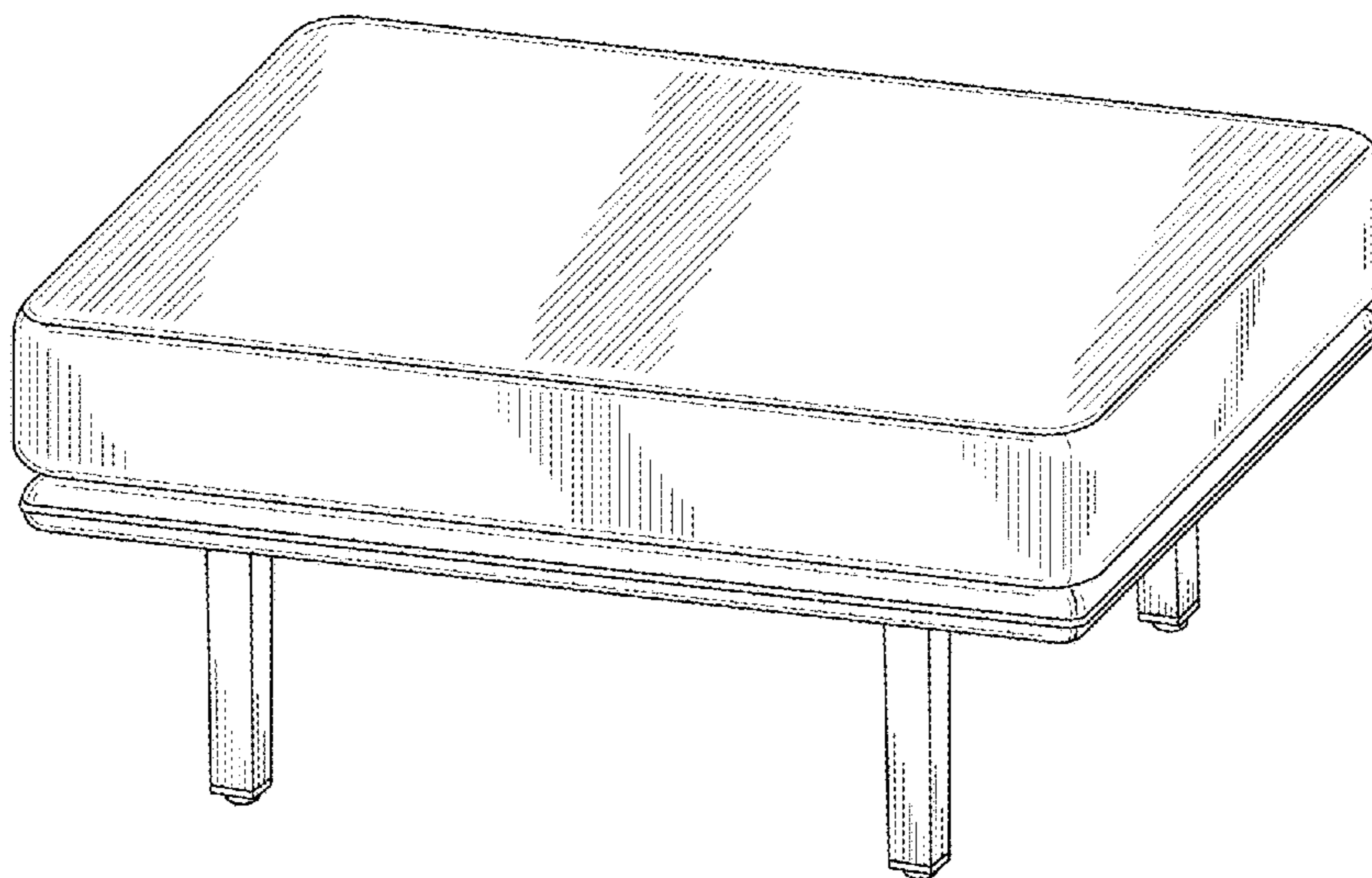
FIG. 1 is a perspective view of an ottoman showing our new design;
FIG. 2 is a front elevational view thereof;
FIG. 3 is a rear elevational view thereof;
FIG. 4 is a top plan view thereof;
FIG. 5 is a bottom plan view thereof;
FIG. 6 is a left side elevational view thereof; and,
FIG. 7 is a right side elevational view thereof.
The broken lines shown in the drawing figures depict portions of the ottoman that form no part of the claimed design.

1 Claim, 5 Drawing Sheets

(56) **References Cited**

U.S. PATENT DOCUMENTS

- 2,625,204 A * 1/1953 Reichman A47C 7/42
297/105
- 2,696,870 A * 12/1954 Mende A47C 7/407
297/105
- D181,730 S * 12/1957 Jones et al. D6/349
- D224,994 S * 10/1972 Sokolowski D6/349
- 3,940,181 A * 2/1976 Cheek, Jr. A47C 16/025
108/6
- D335,964 S * 6/1993 Diaz-Azcuy D6/349
- D396,962 S * 8/1998 Lewis D6/349
- D614,876 S * 5/2010 Metcalf D6/349



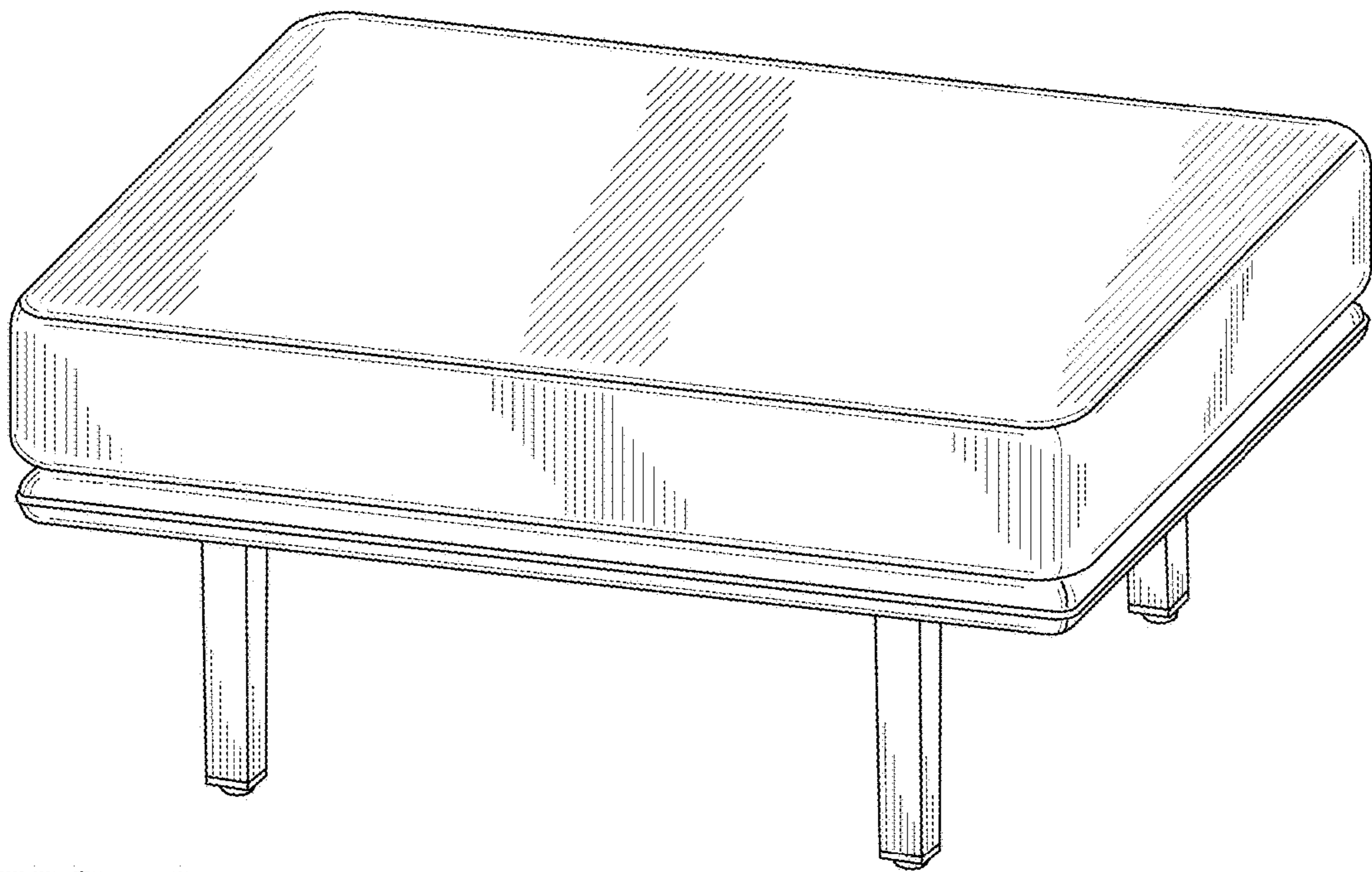


FIG. 1

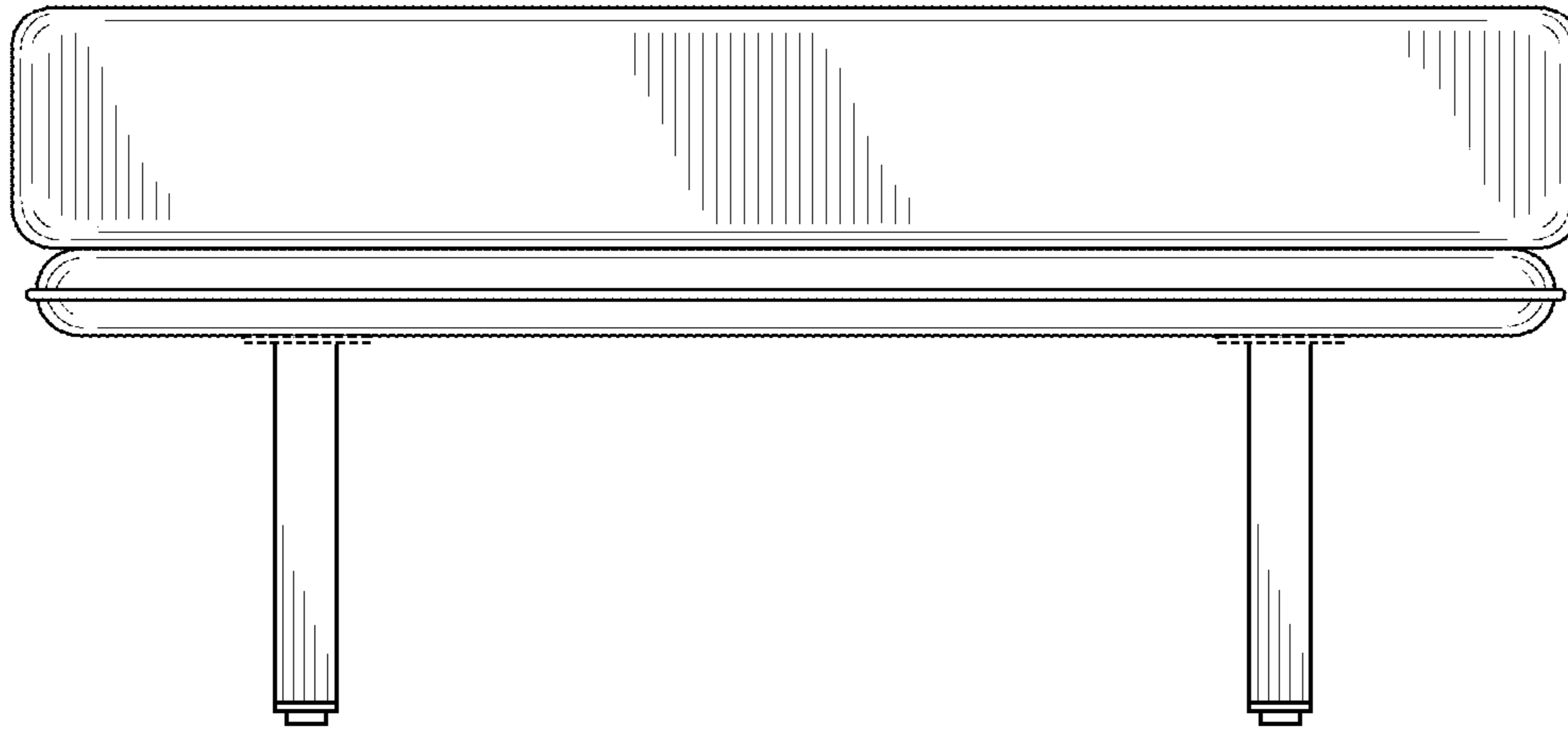


FIG. 2

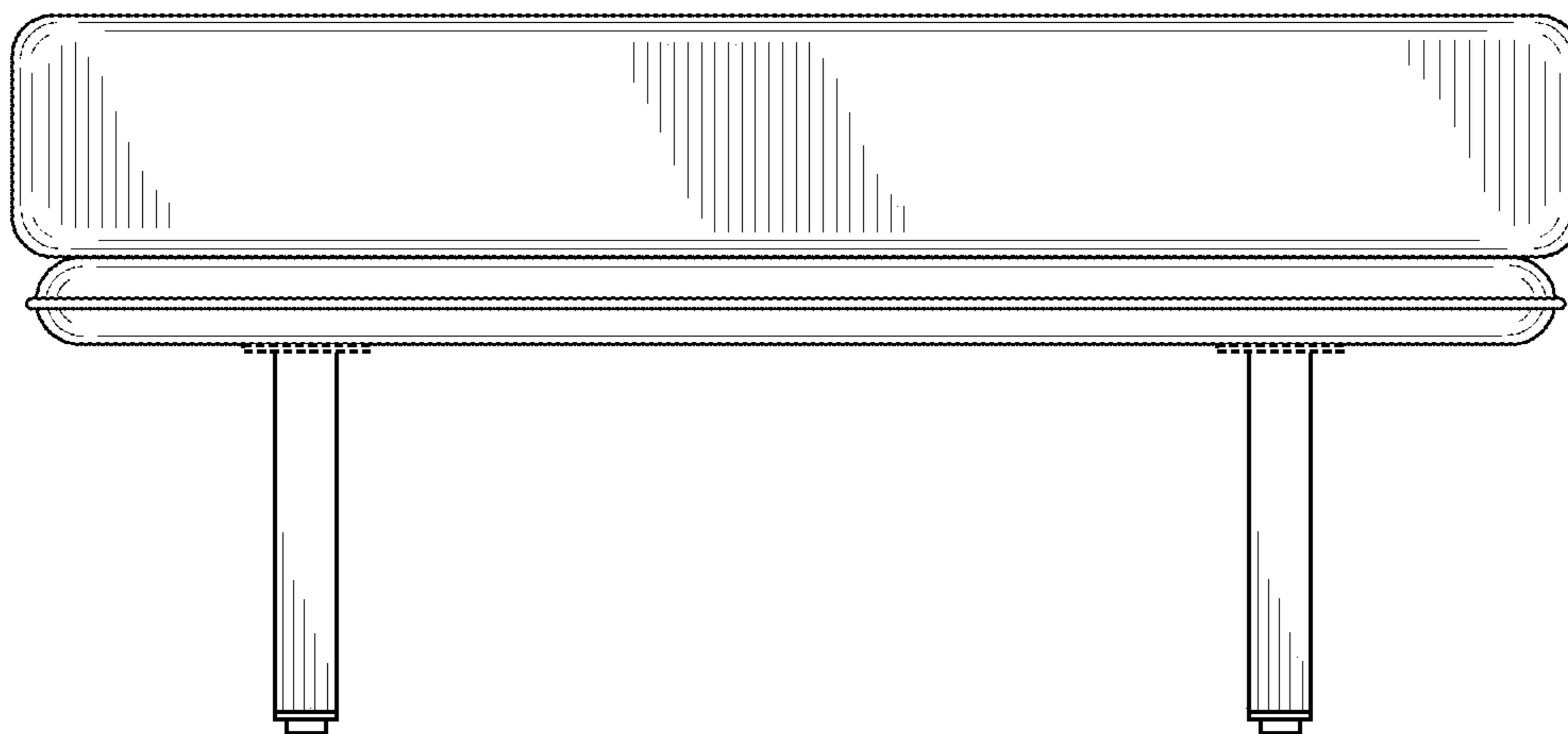


FIG. 3

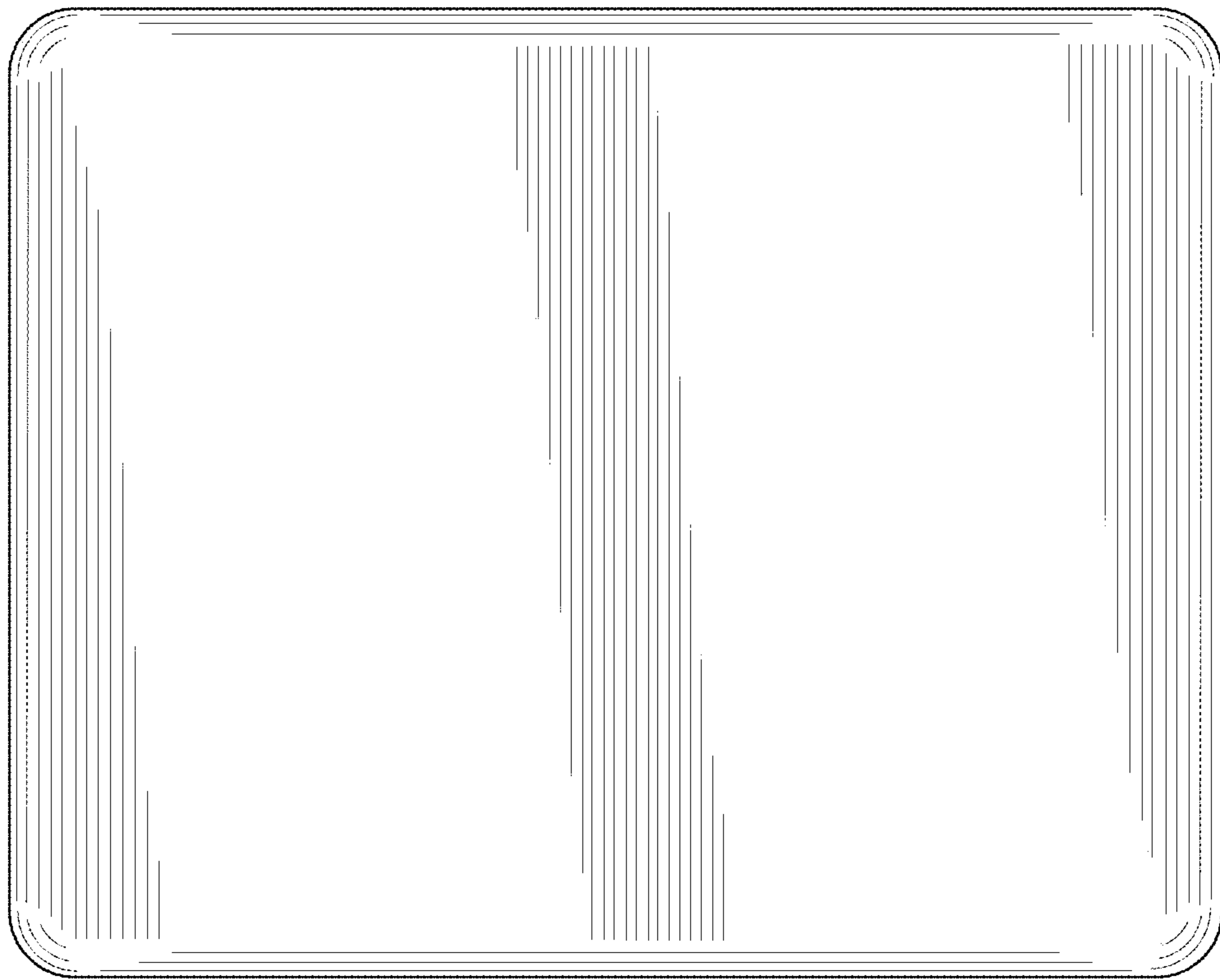


FIG. 4

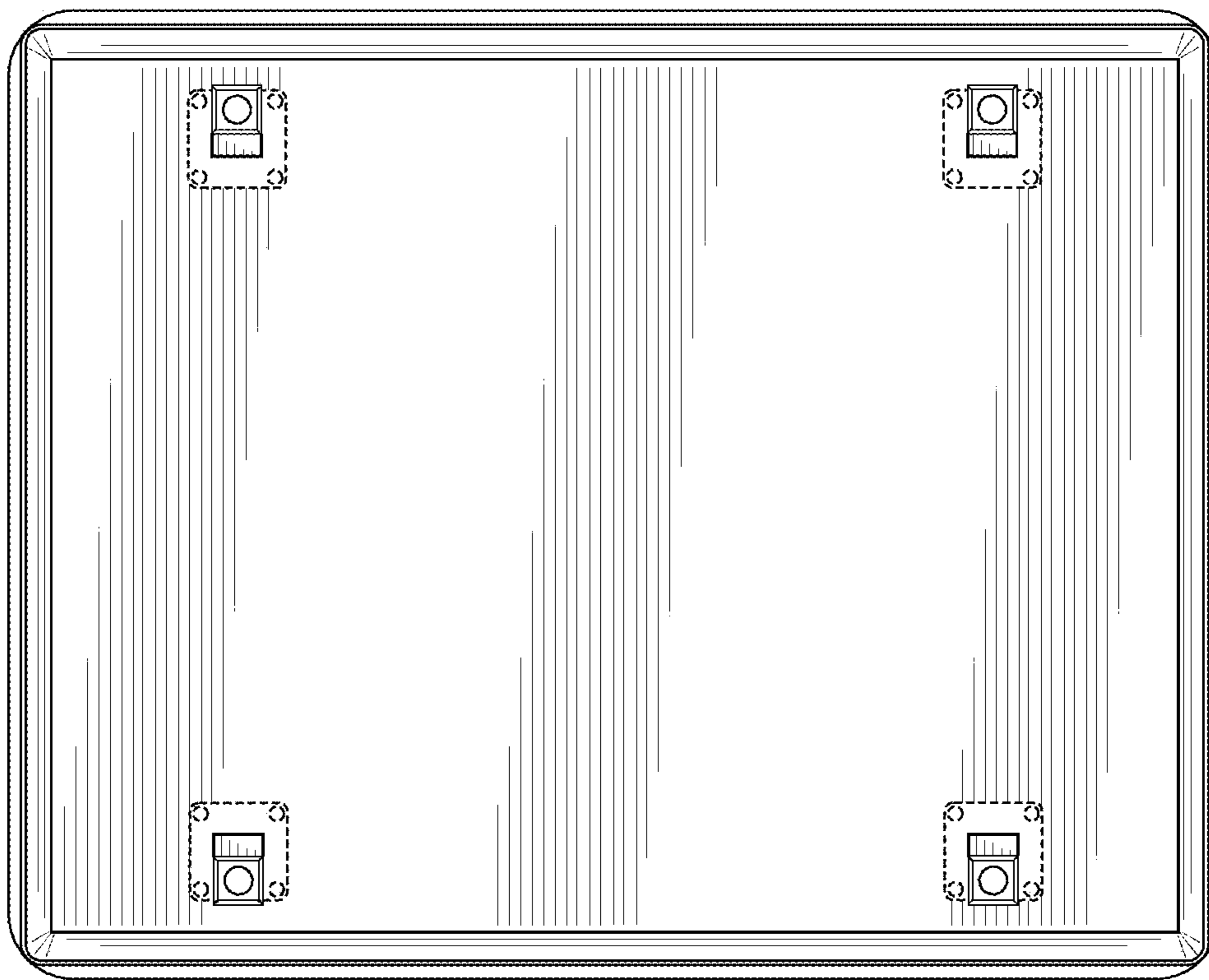


FIG. 5

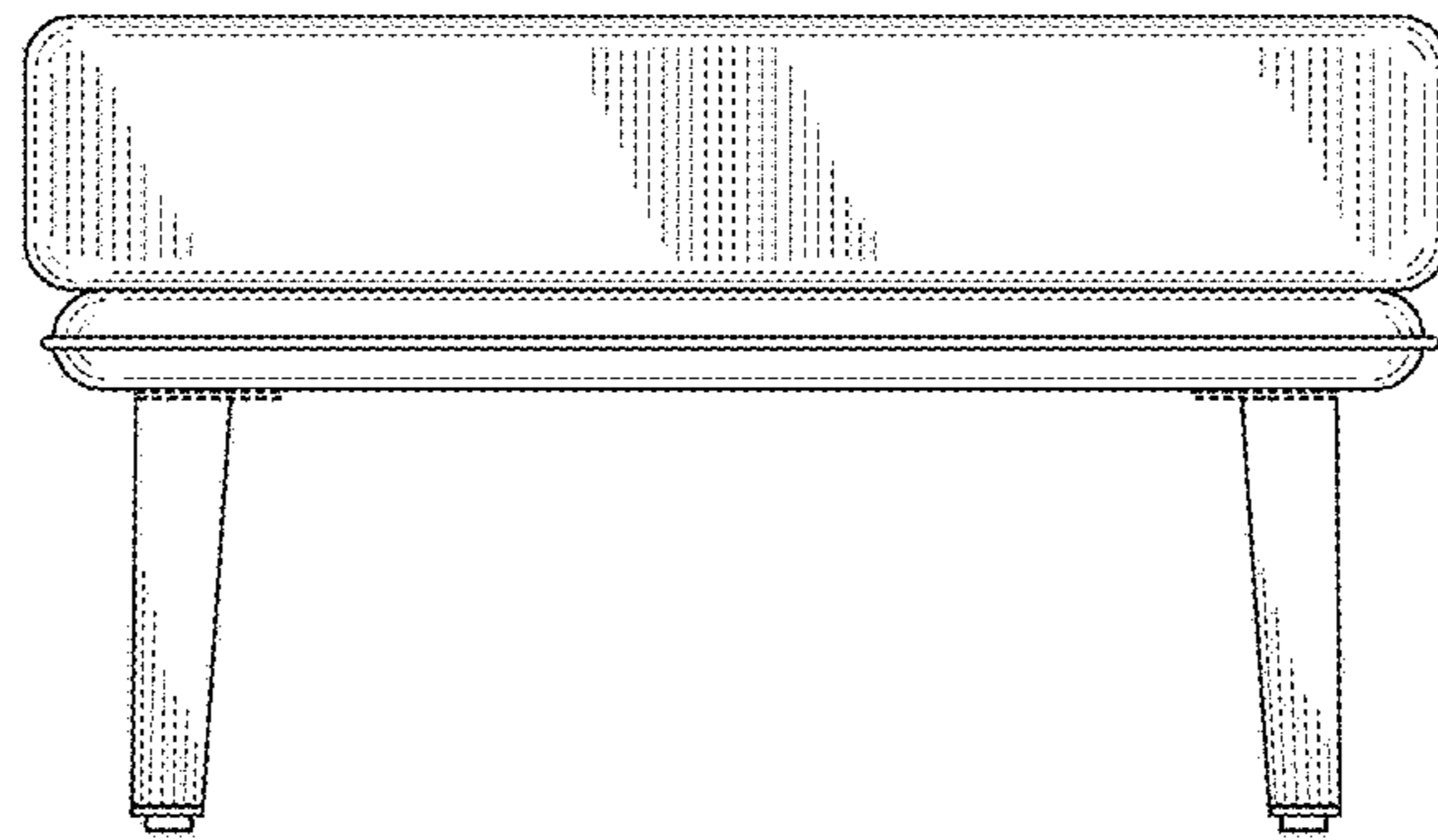


FIG. 6

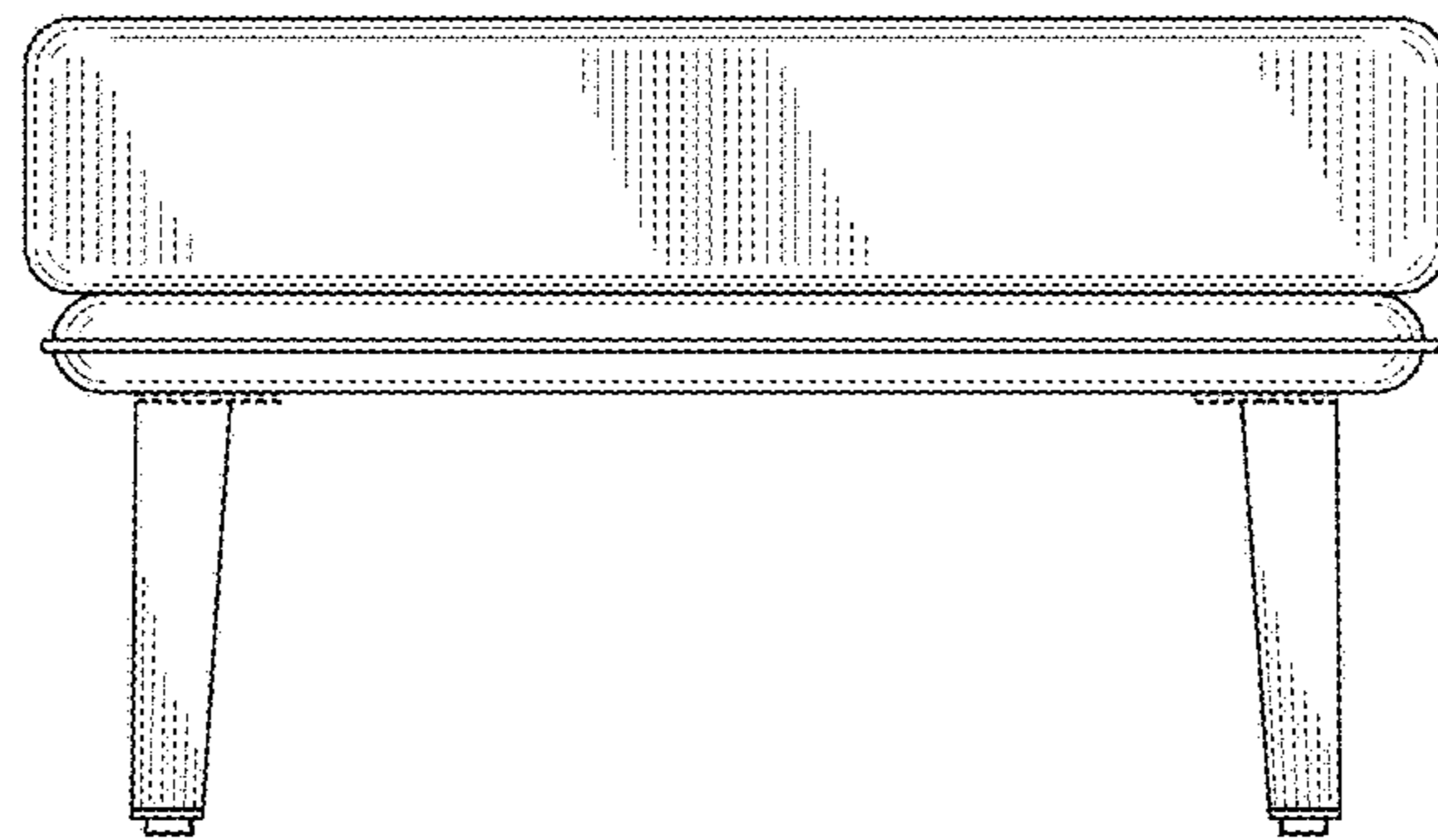


FIG. 7