



US00D800459S

(12) **United States Design Patent**
Rockwell et al.

(10) **Patent No.:** **US D800,459 S**

(45) **Date of Patent:** **** Oct. 24, 2017**

- (54) **SCREEN**
- (71) Applicant: **Knoll, Inc.**, East Greenville, PA (US)
- (72) Inventors: **David Rockwell**, New York, NY (US);
Barry Richards, New York, NY (US)
- (73) Assignee: **Knoll, Inc.**, East Greenville, PA (US)
- (**) Term: **15 Years**
- (21) Appl. No.: **29/563,083**
- (22) Filed: **May 2, 2016**
- (51) **LOC (10) Cl.** **06-06**
- (52) **U.S. Cl.**
USPC **D6/332**
- (58) **Field of Classification Search**
USPC D6/332; D25/58
CPC E04B 2/74; E04B 2/7401; E04B 2/7405;
E04B 2/7407; E04B 2/7416; E04B
2/7422; E04B 2/7433; E04B 2/7437;
E04B 2/76; E04B 2/766; E04B 2/7809;
E04B 2002/7487; E04B 2/7438; E04B
1/8227; E04B 2/7409; E04B 2002/7479;
A47B 2220/02; A47G 5/00
See application file for complete search history.

- (56) **References Cited**
U.S. PATENT DOCUMENTS
3,426,913 A * 2/1969 Abatiell, Jr. G09F 15/0068
211/194
3,571,999 A * 3/1971 Downing A47F 11/02
160/135
D256,138 S * 7/1980 Tesar D20/10
D257,602 S * 12/1980 Cyplik D6/332
D286,108 S * 10/1986 Hanlon D6/332
5,351,740 A * 10/1994 Hanna A47G 5/00
160/135

- 5,671,852 A * 9/1997 Maharg A47F 5/0815
211/182
- 5,694,997 A * 12/1997 Styger E04B 2/7431
160/135
- D399,693 S * 10/1998 Vreeland D25/138
- D420,223 S * 2/2000 Chipman D6/332
- 6,575,314 B2 * 6/2003 Lung A47F 5/05
211/163
- D530,104 S * 10/2006 Saffell D6/332
- 7,210,277 B2 * 5/2007 Steed E04B 2/7422
52/782.1
- D679,858 S * 4/2013 Tran D26/120
- 9,254,051 B2 * 2/2016 McPhillips G09F 15/00
- 2005/0005549 A1 * 1/2005 Peter E04B 2/74
52/384

* cited by examiner

Primary Examiner — Vy Koenig
Assistant Examiner — Kimberly Barnes
(74) *Attorney, Agent, or Firm* — Buchanan Ingersoll & Rooney PC

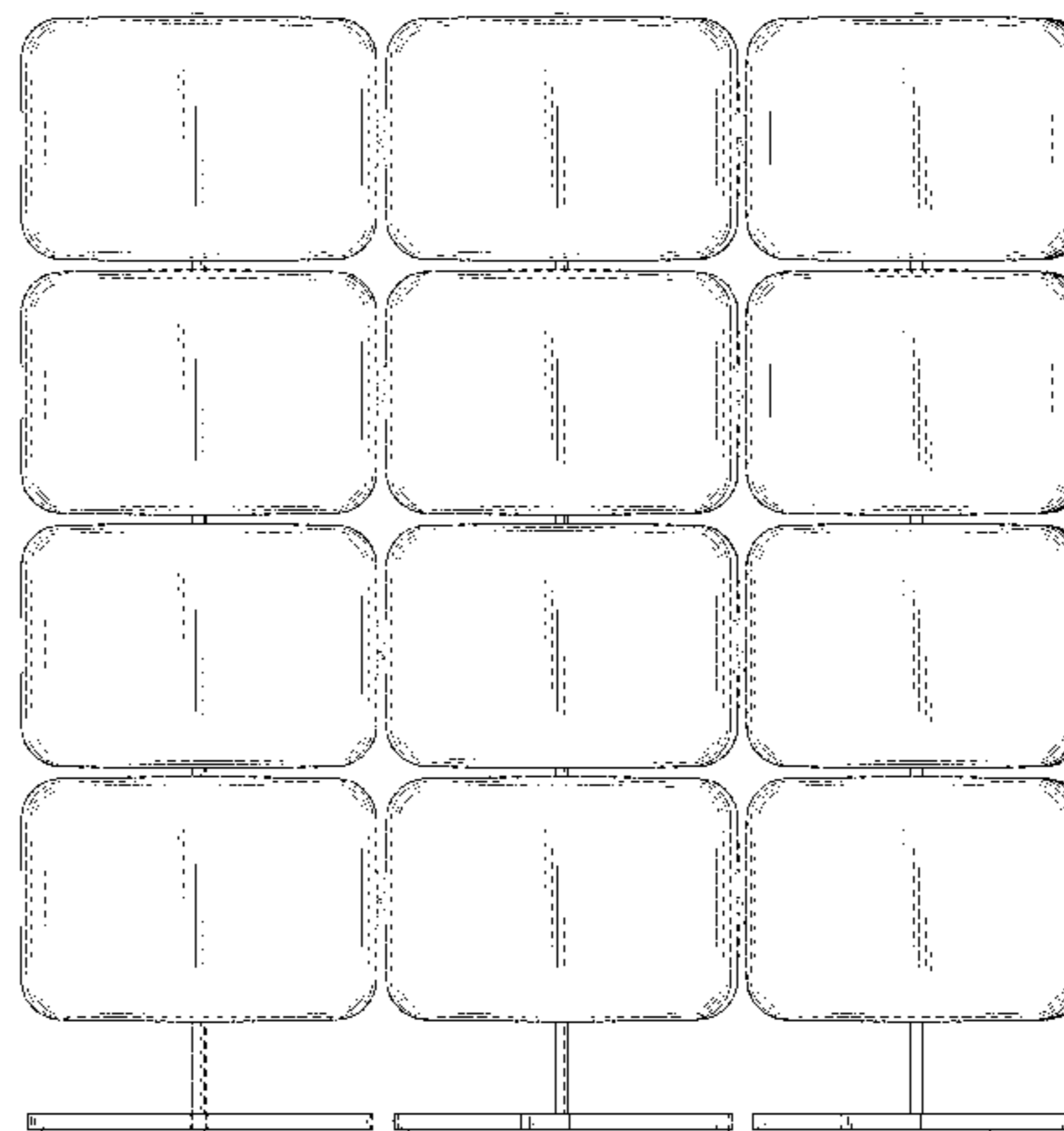
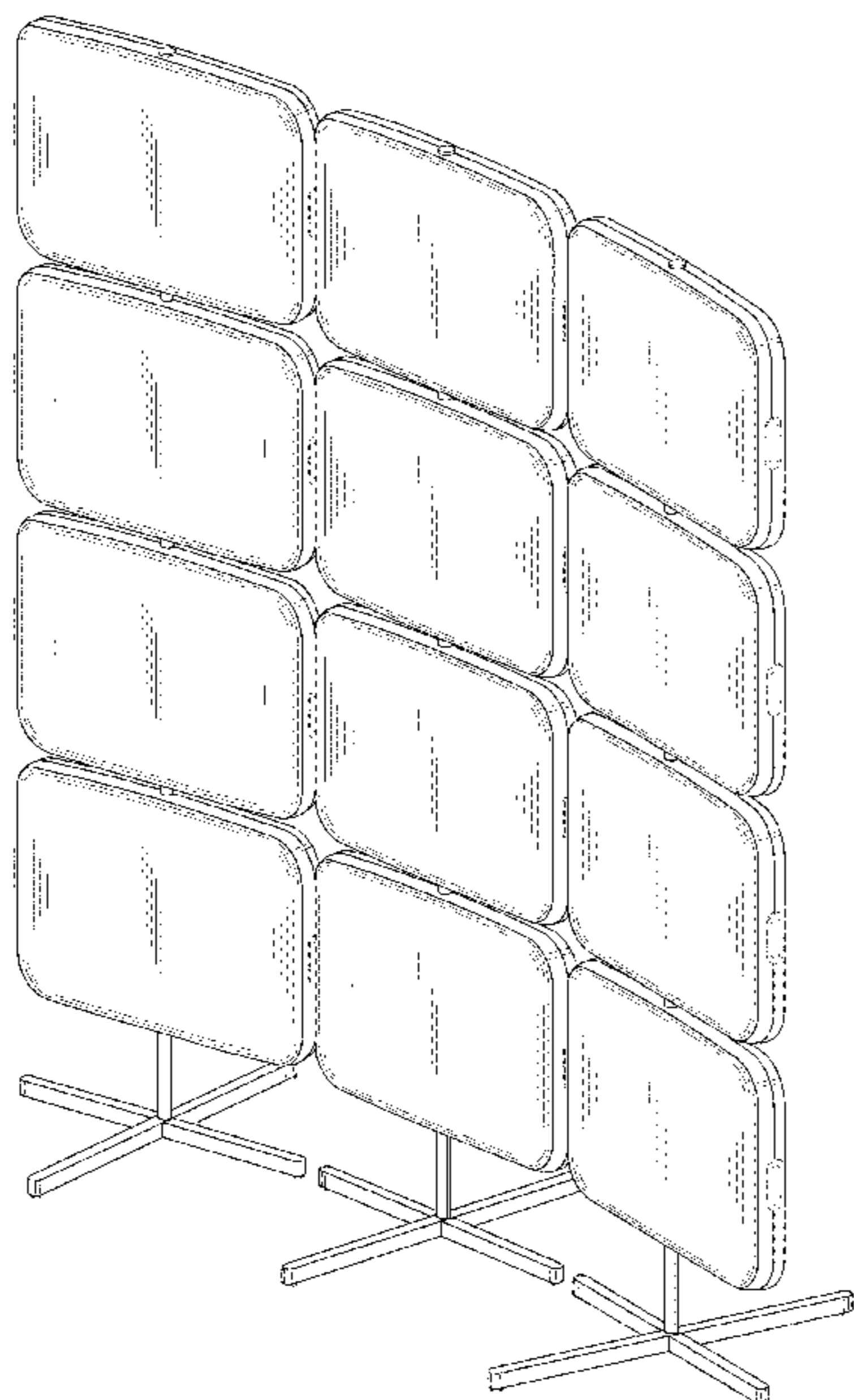
(57) **CLAIM**

The ornamental design for a screen, as shown and described.

DESCRIPTION

FIG. 1 is a perspective view of a screen showing our new design;
FIG. 2 is a front elevational view thereof;
FIG. 3 is a rear elevational view thereof;
FIG. 4 is a top plan view thereof;
FIG. 5 is a bottom plan view thereof;
FIG. 6 is a left side elevational view thereof; and,
FIG. 7 is a right side elevational view thereof.
The broken lines shown in the drawing figures illustrate portions of the screen that form no part of the claimed design.

1 Claim, 5 Drawing Sheets



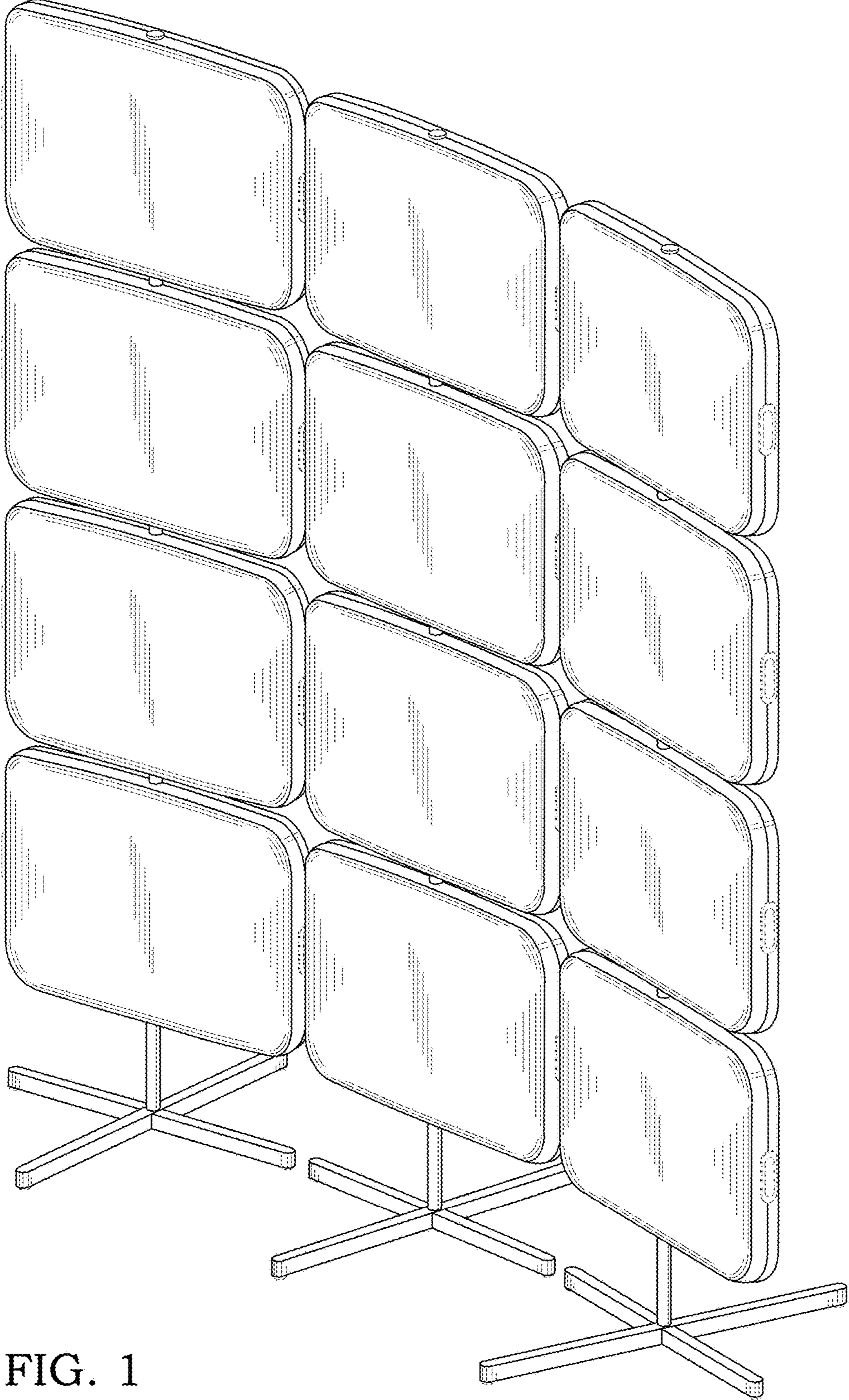


FIG. 1

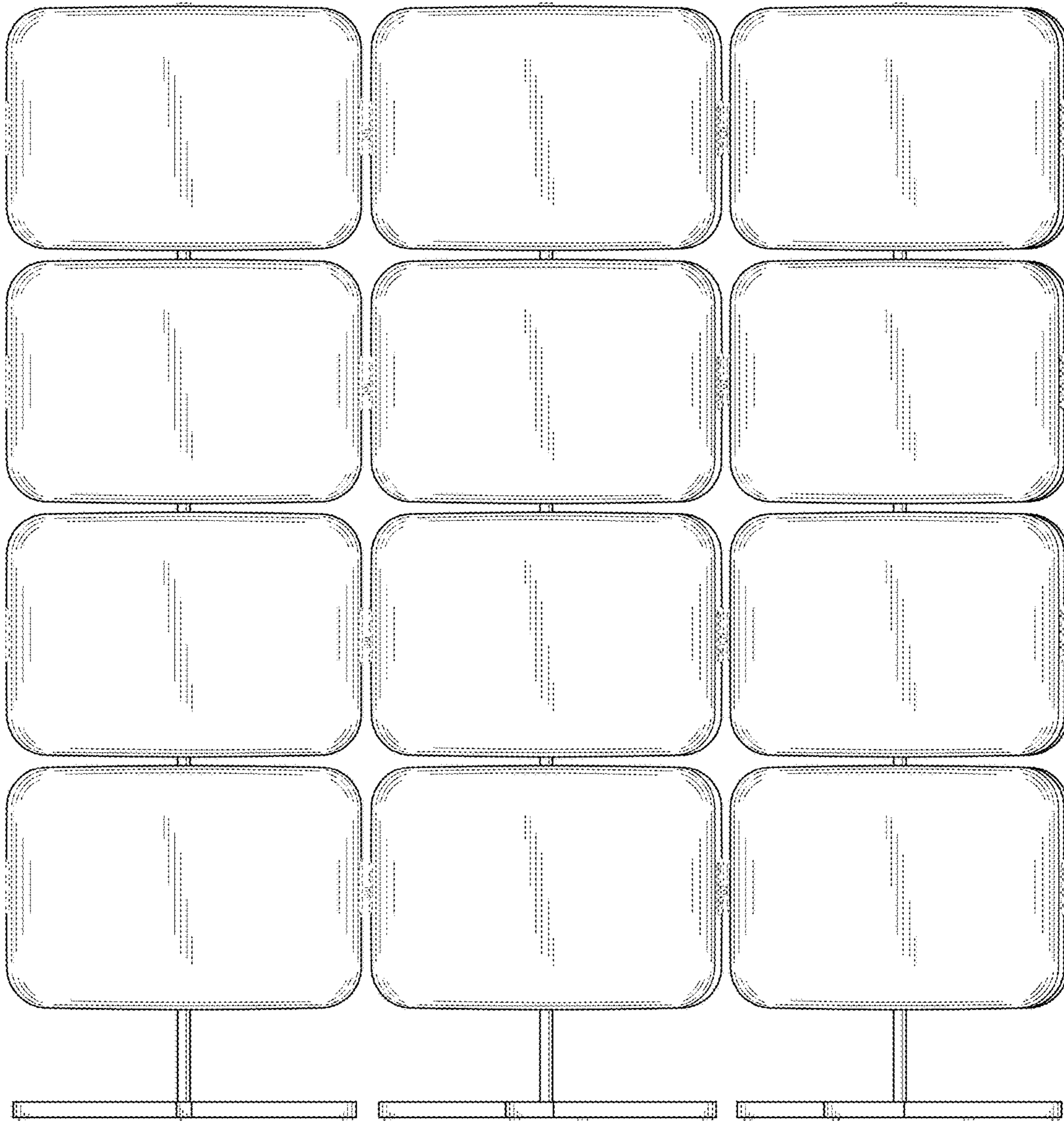


FIG. 2

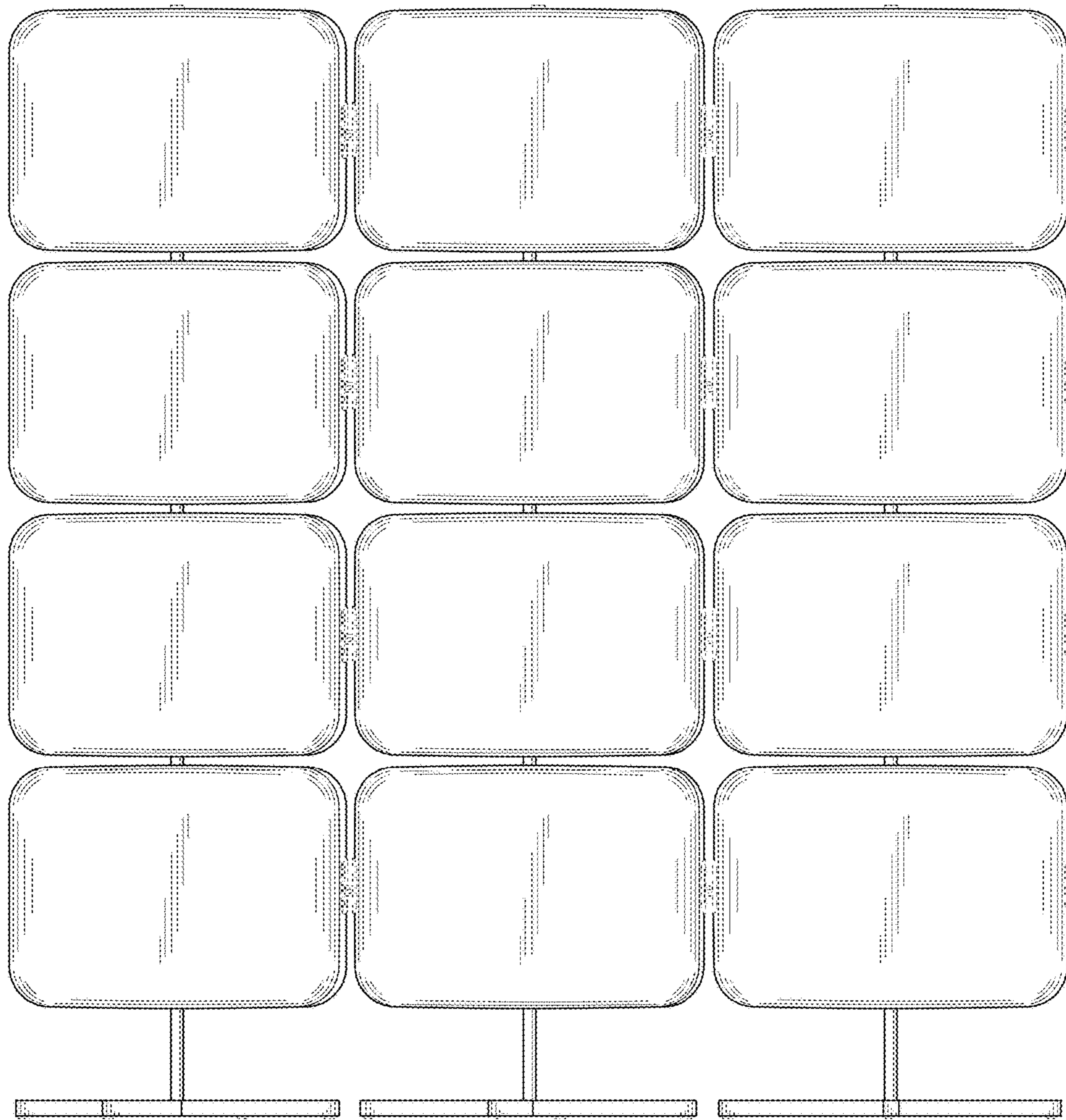


FIG. 3

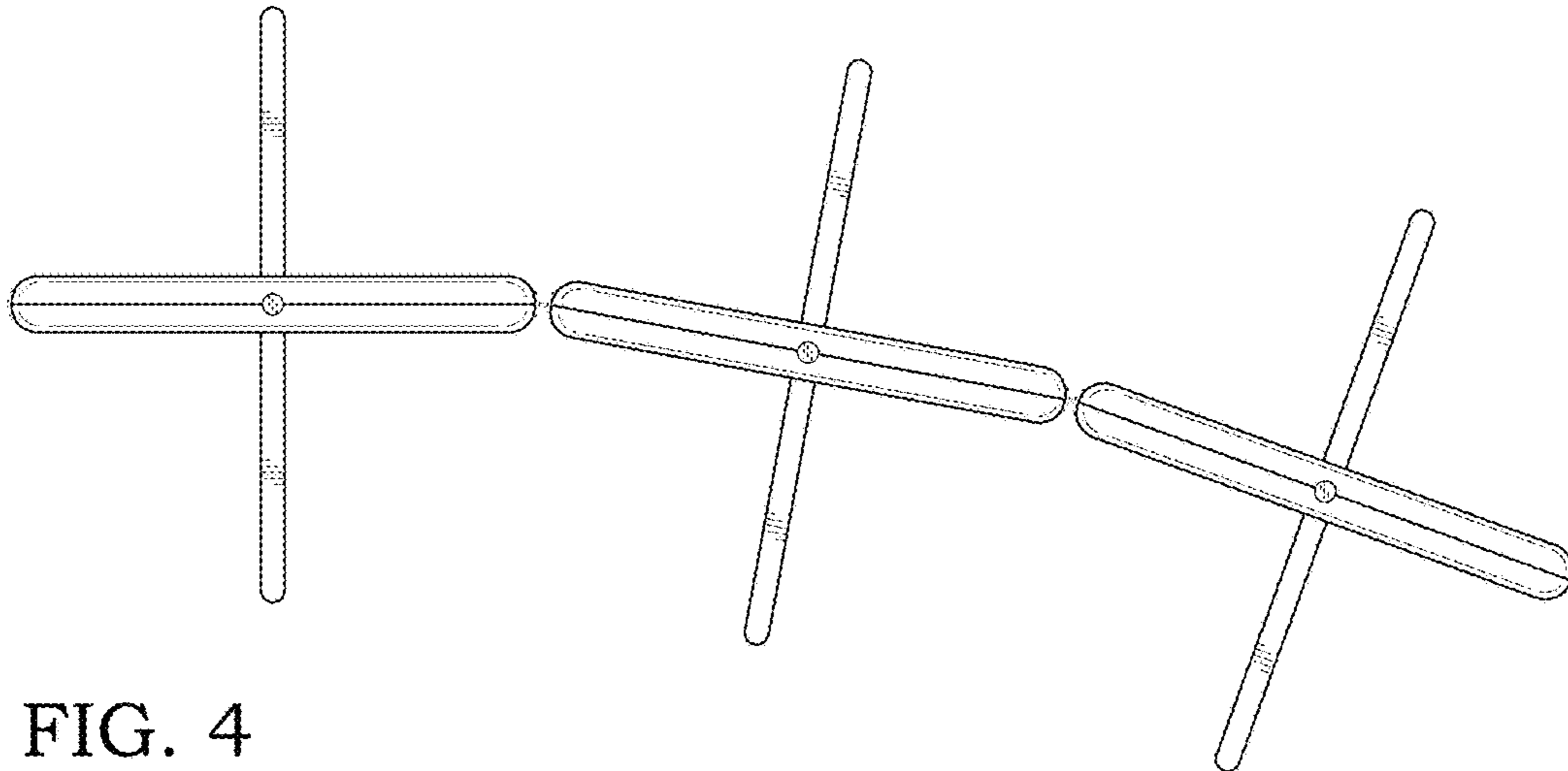


FIG. 4

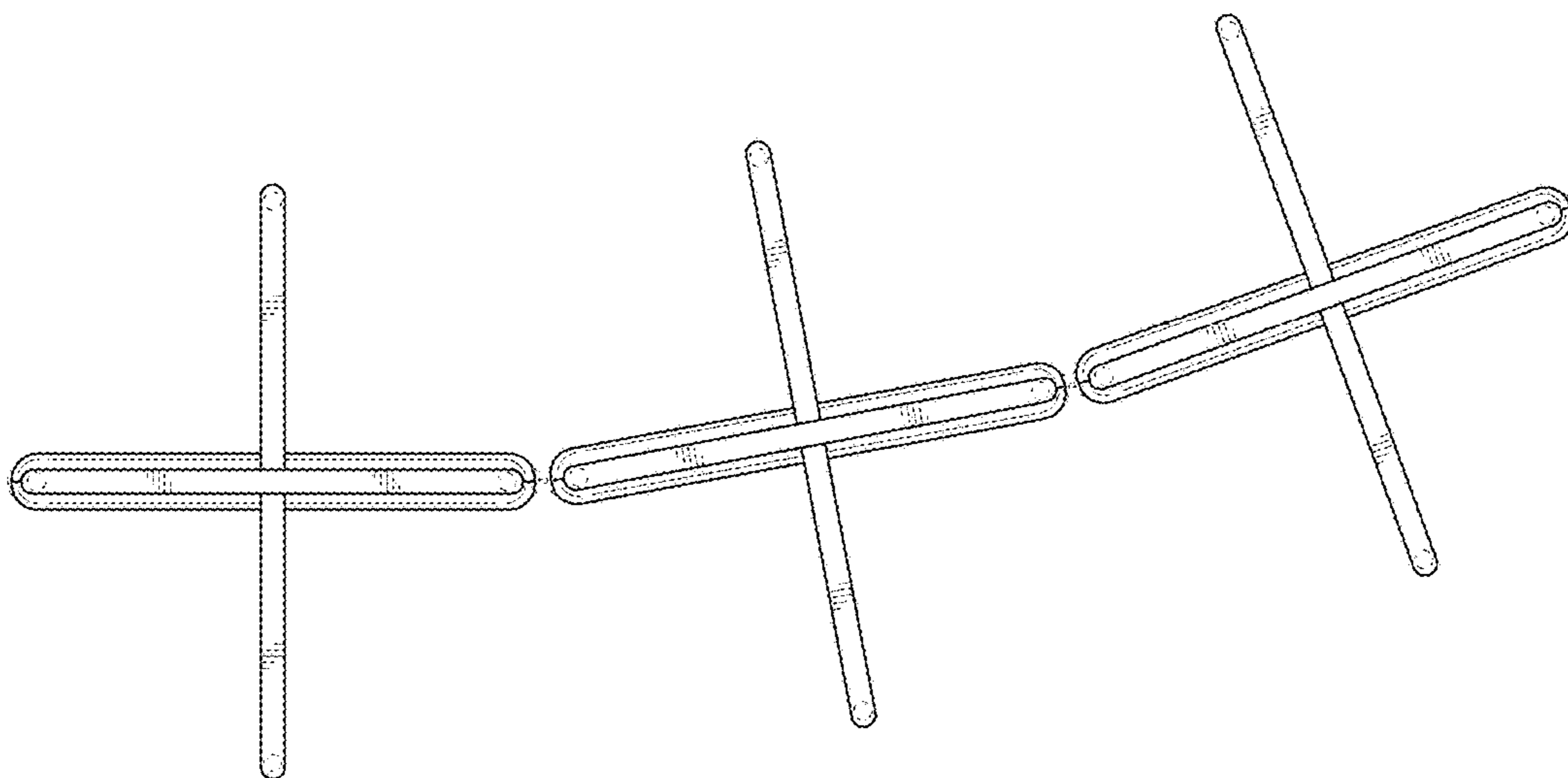


FIG. 5

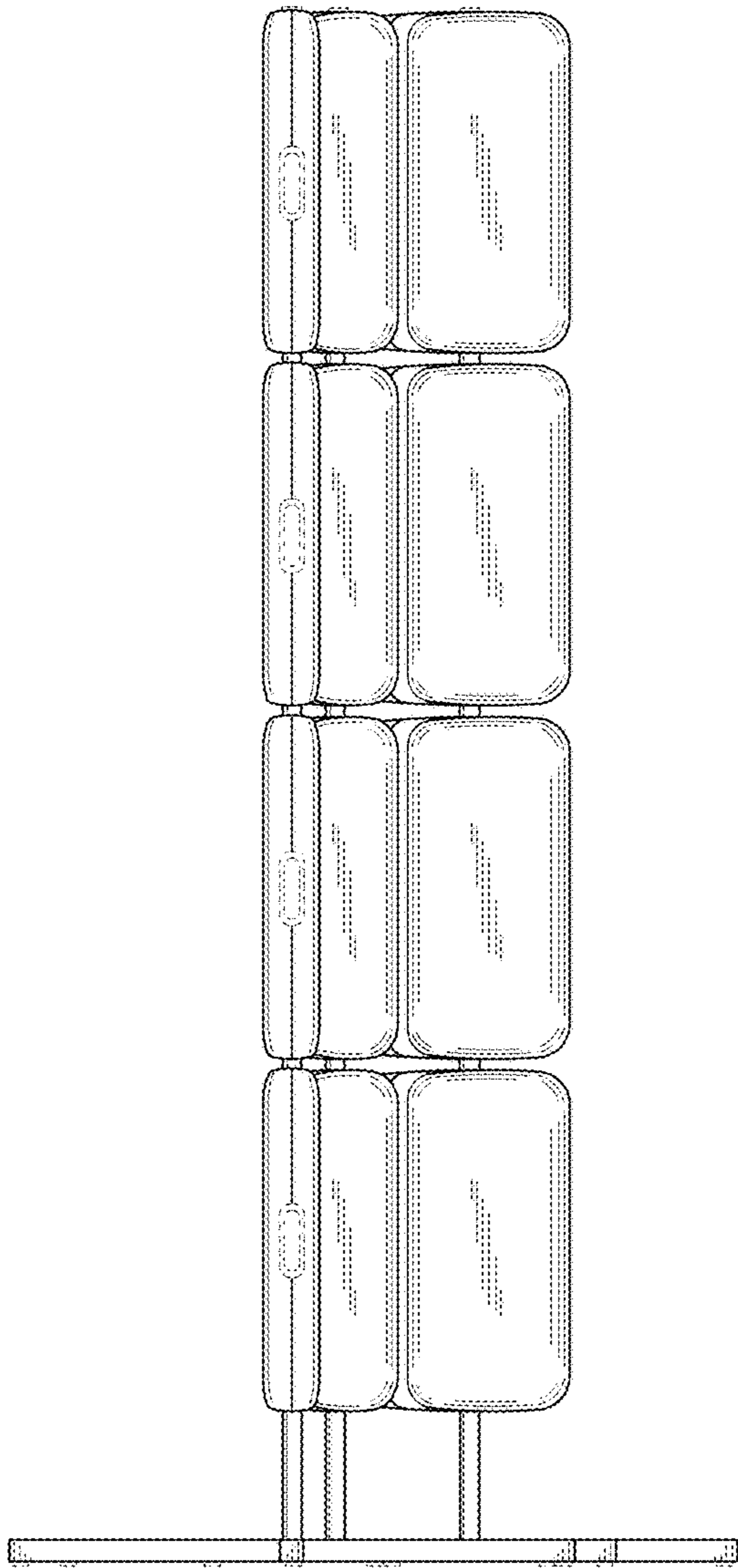


FIG. 6

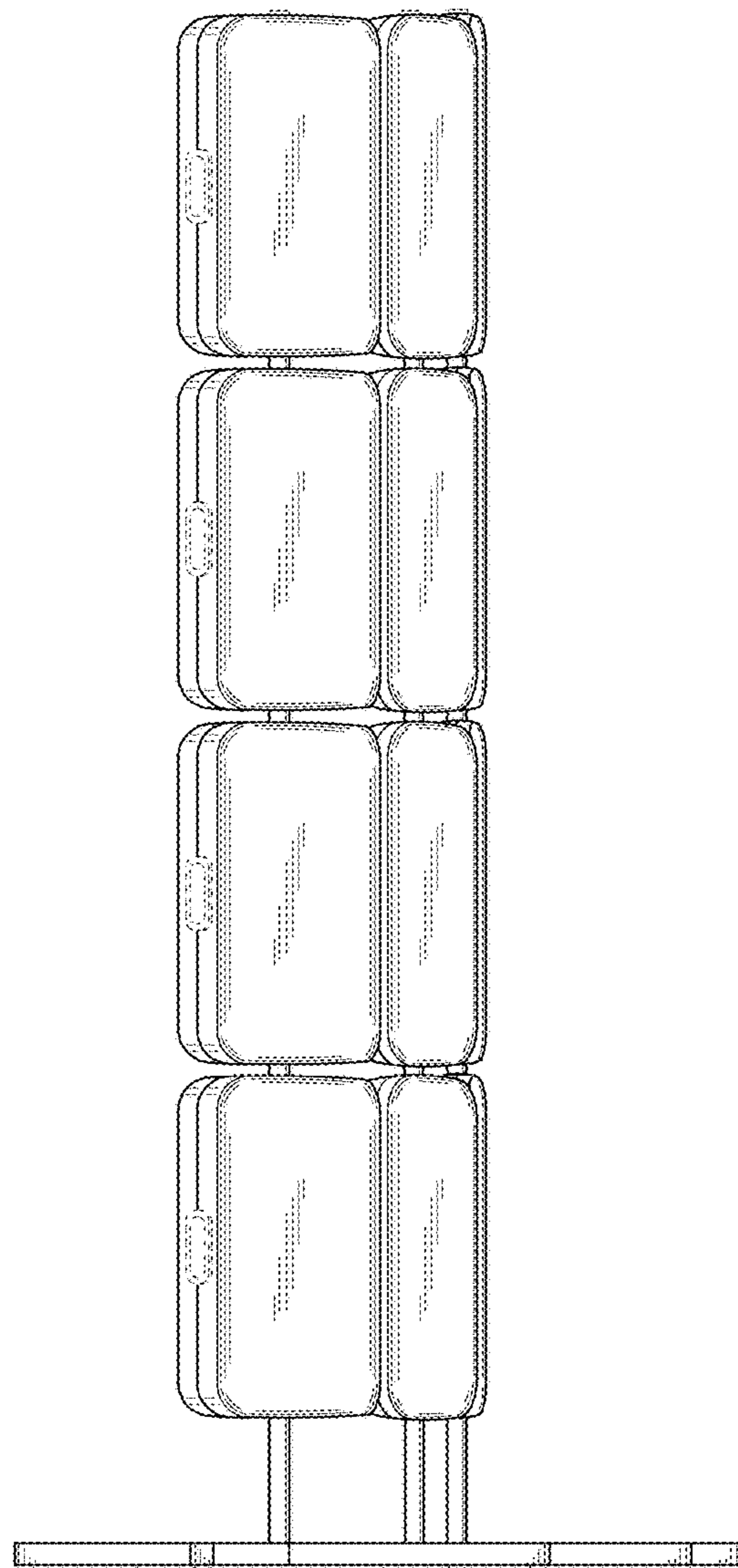


FIG. 7