



US00D800457S

(12) **United States Design Patent**
Kaicker

(10) **Patent No.:** **US D800,457 S**

(45) **Date of Patent:** **** Oct. 24, 2017**

(54) **BRUSH HAVING CONTOURED HANDLE**

(71) Applicant: **ANISA INTERNATIONAL, INC.**,
Atlanta, GA (US)

(72) Inventor: **Anisa Telwar Kaicker**, Atlanta, GA
(US)

(73) Assignee: **ANISA INTERNATIONAL, INC.**,
Atlanta, GA (US)

(**) Term: **15 Years**

(21) Appl. No.: **29/558,200**

(22) Filed: **Mar. 15, 2016**

(51) **LOC (10) Cl.** **04-02**

(52) **U.S. Cl.**
USPC **D4/138; D4/132**

(58) **Field of Classification Search**
USPC D4/102, 114, 116, 121, 127, 128, 131,
D4/132, 133, 134, 135, 138, 199; D28/7
(Continued)

(56) **References Cited**

U.S. PATENT DOCUMENTS

790,622 A * 5/1905 Erskine A46B 15/00
15/192
1,120,476 A 12/1914 Hansen
(Continued)

FOREIGN PATENT DOCUMENTS

GB 2238467 5/1991
JP 2006/075329 A 3/2006
JP 2008/168108 A 7/2008

OTHER PUBLICATIONS

International Search Report PCT/US2016/019130, dated May 10,
2016.

Primary Examiner — Karen E. Eldridge Powers
(74) *Attorney, Agent, or Firm* — Gronholm Patent
Services, LLC

(57) **CLAIM**

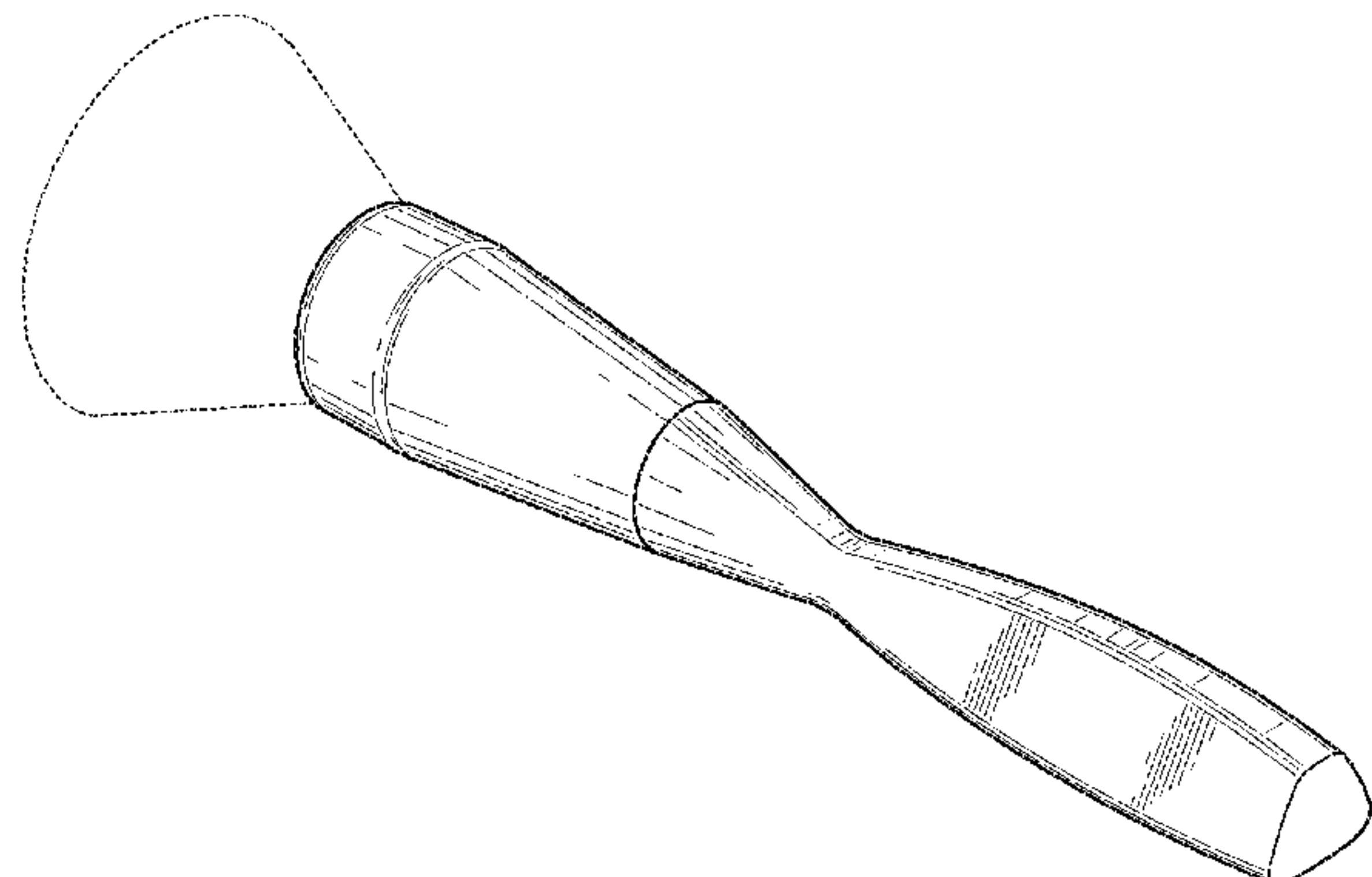
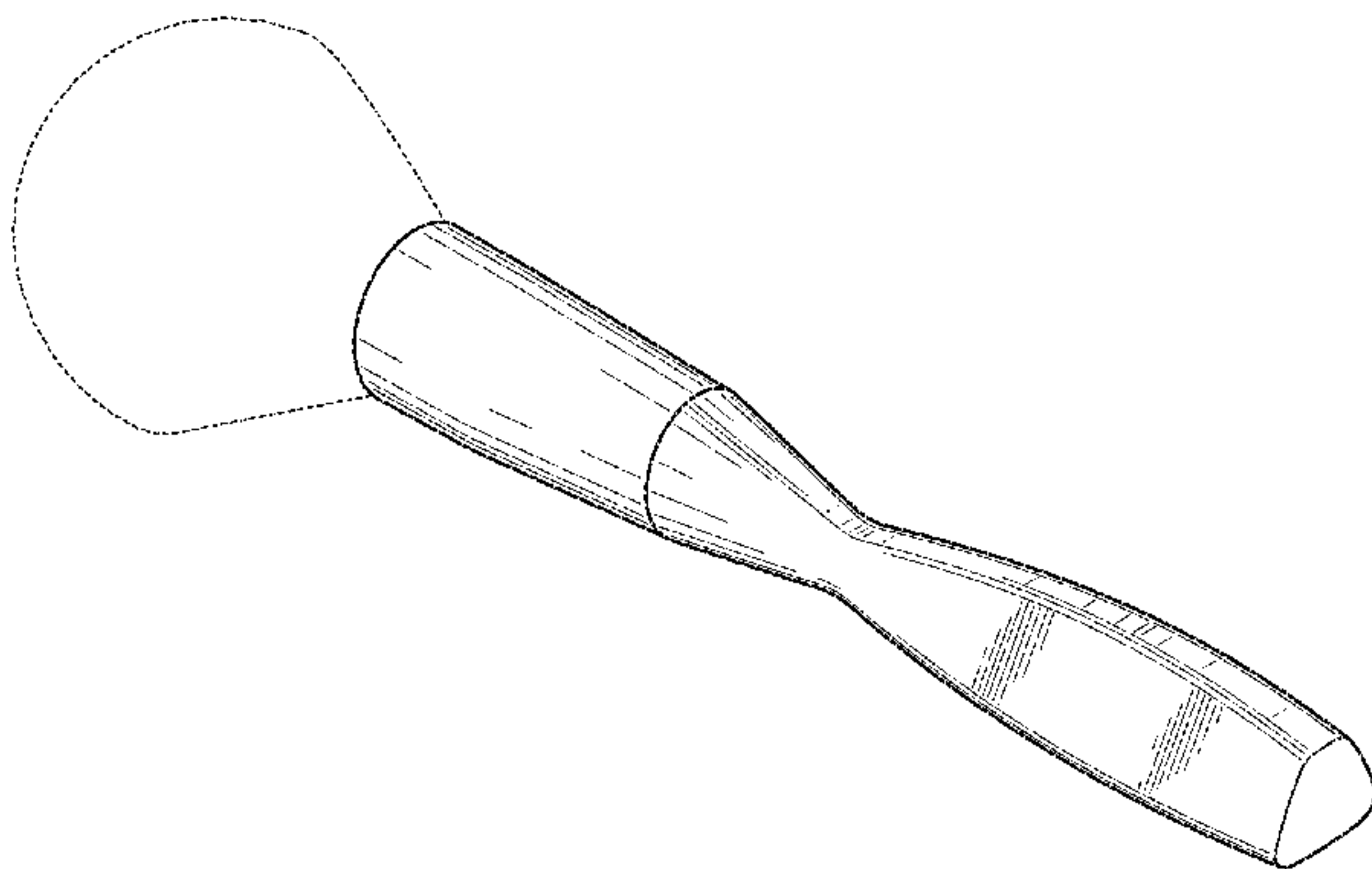
The ornamental design for a brush having contoured handle,
as shown and described.

DESCRIPTION

FIG. 1 is a perspective view of a brush having contoured handle according to an embodiment of the present design; FIG. 2 is a front side elevational view of the brush having contoured handle shown in FIG. 1; FIG. 3 is a rear side elevational view of the brush having contoured handle shown in FIG. 1; FIG. 4 is a right side elevational view of the brush having contoured handle shown in FIG. 1; FIG. 5 is a left side elevational view of the brush having contoured handle shown in FIG. 1; FIG. 6 is a top plan view of the brush having contoured handle shown in FIG. 1; FIG. 7 is a bottom plan view of the brush having contoured handle shown in FIG. 1; FIG. 8 is a perspective view of a brush having contoured handle according to an embodiment of the present design; FIG. 9 is a front side elevational view of the brush having contoured handle shown in FIG. 8; FIG. 10 is a rear side elevational view of the brush having contoured handle shown in FIG. 8; FIG. 11 is a right side elevational view of the brush having contoured handle shown in FIG. 8; FIG. 12 is a left side elevational view of the brush having contoured handle shown in FIG. 8; FIG. 13 is a top plan view of the brush having contoured handle shown in FIG. 8; and, FIG. 14 is a bottom plan view of the brush having contoured handle shown in FIG. 8.

The broken lines shown in the drawings illustrate features of the article to which the design is applied or in which the design is embodied that form no part of the claim.

1 Claim, 6 Drawing Sheets



US D800,457 S

(58) **Field of Classification Search**
 CPC A46B 9/021; A46B 5/021; A46B 5/0095;
 A46B 2200/1046; A46B 15/0087; A46B
 5/00; A46B 3/02; A46B 3/12; A46D 1/00
 See application file for complete search history.

(56) **References Cited**

U.S. PATENT DOCUMENTS

1,182,991 A * 5/1916 Dean A46B 15/00
 401/123
 D53,980 S * 11/1919 Behrman D4/127
 1,372,108 A * 3/1921 Timmis A46B 3/12
 15/191.1
 1,499,507 A * 7/1924 Crummett A46B 3/12
 15/177
 1,593,133 A * 7/1926 Nichols A45D 27/04
 401/123
 1,956,477 A * 4/1934 Segal A46B 15/00
 15/185
 D147,405 S * 9/1947 Goeller D4/127
 2,662,240 A 10/1948 Perkins
 D154,426 S * 7/1949 Amstutz D4/135
 D154,454 S * 7/1949 Paulsen, Sr. D4/121
 2,728,930 A * 1/1956 Hempel A46B 5/02
 15/143.1
 D198,308 S * 6/1964 Byford D4/114
 3,471,202 A 10/1969 Lewis
 3,596,999 A 8/1971 Lewis
 3,604,043 A 9/1971 Lewis
 D278,951 S * 5/1985 Kalinsky D28/7
 D278,952 S * 5/1985 Kalinsky D28/7
 4,842,132 A 6/1989 Wells
 D304,392 S * 11/1989 Reich D4/135
 4,917,132 A * 4/1990 Tuchman A45D 33/26
 132/316
 D310,917 S * 10/1990 Futter D4/114
 D368,553 S * 4/1996 Welschoff D19/163
 D371,459 S * 7/1996 Cameron D4/114
 D442,369 S * 5/2001 Damiano D4/127
 D450,189 S * 11/2001 Mink D4/127
 D450,931 S * 11/2001 Mink D4/135
 D452,994 S 1/2002 Mink
 6,513,183 B2 2/2003 Dorf

D566,969 S 4/2008 Sherman
 7,866,758 B2 1/2011 Jang
 D640,471 S * 6/2011 Lin D4/120
 8,074,666 B2 * 12/2011 Piao A45C 11/008
 132/313
 8,104,132 B2 1/2012 Mink
 D663,957 S * 7/2012 Garcia D4/135
 8,230,543 B2 * 7/2012 Shrier A46B 7/04
 15/145
 8,256,058 B2 9/2012 Telwar
 D679,506 S 4/2013 Hile
 D684,775 S * 6/2013 Floyd D4/114
 D705,545 S * 5/2014 Hile D4/135
 8,726,916 B2 * 5/2014 Park A46B 5/0095
 132/313
 D730,062 S * 5/2015 Lim D4/138
 9,089,200 B2 * 7/2015 Telwar A46B 3/08
 D751,824 S * 3/2016 Childs D4/135
 9,462,871 B2 * 10/2016 Machiorlette A45D 40/26
 D778,620 S * 2/2017 Jain D4/135
 D778,621 S * 2/2017 Jain D4/135
 2002/0124336 A1 9/2002 Henrie
 2004/0168700 A1 9/2004 Dorf
 2006/0248669 A1 * 11/2006 Dovellos A46B 3/12
 15/159.1
 2009/0183328 A1 * 7/2009 King A46B 5/0062
 15/143.1
 2010/0095973 A1 4/2010 Shrier
 2010/0101035 A1 4/2010 Nakamura
 2012/0260931 A1 * 10/2012 Martin A46B 13/02
 132/200
 2014/0166041 A1 6/2014 King
 2015/0027496 A1 * 1/2015 Xavier A46B 17/06
 134/6
 2015/0265039 A1 * 9/2015 Godin A46B 9/021
 15/207.2
 2015/0272300 A1 * 10/2015 Schreiber A46B 3/18
 401/129
 2016/0081456 A1 * 3/2016 Grund A45D 34/06
 132/200
 2016/0128457 A1 * 5/2016 Lim A46B 5/0033
 401/118
 2016/0324306 A1 * 11/2016 Martin A46B 13/02
 2017/0000251 A1 * 1/2017 Machiorlette A45D 40/26

* cited by examiner

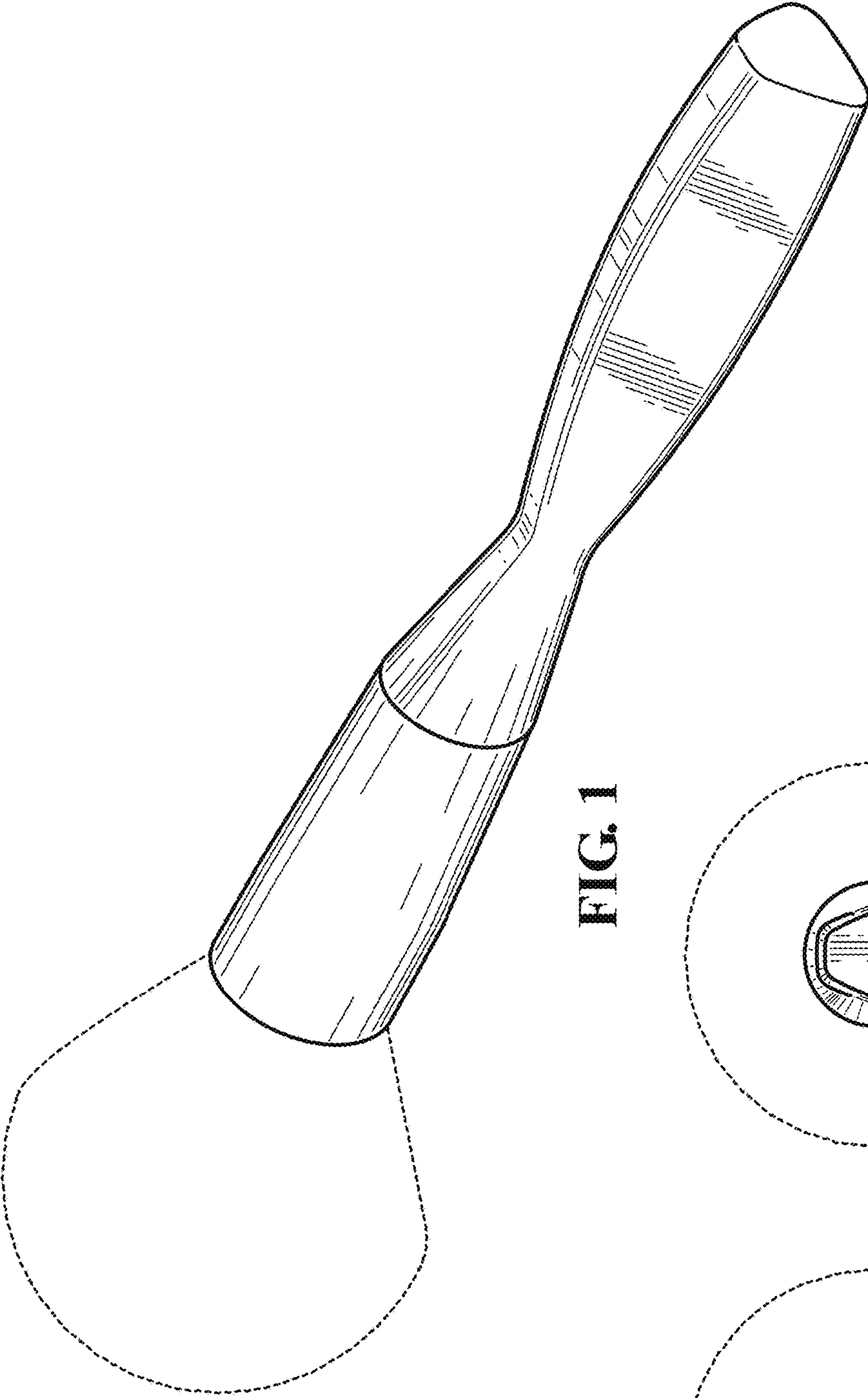


FIG. 1

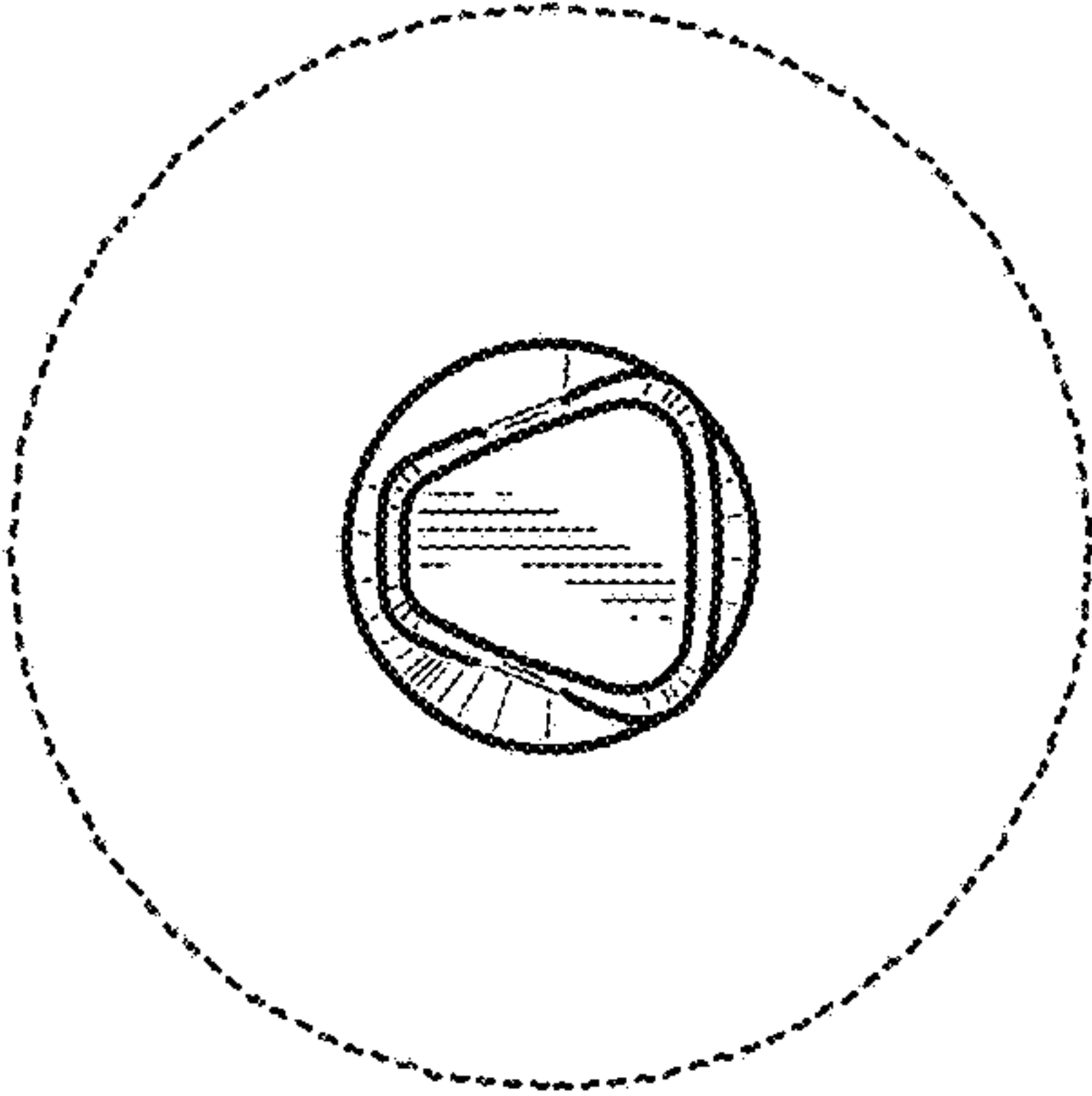


FIG. 3

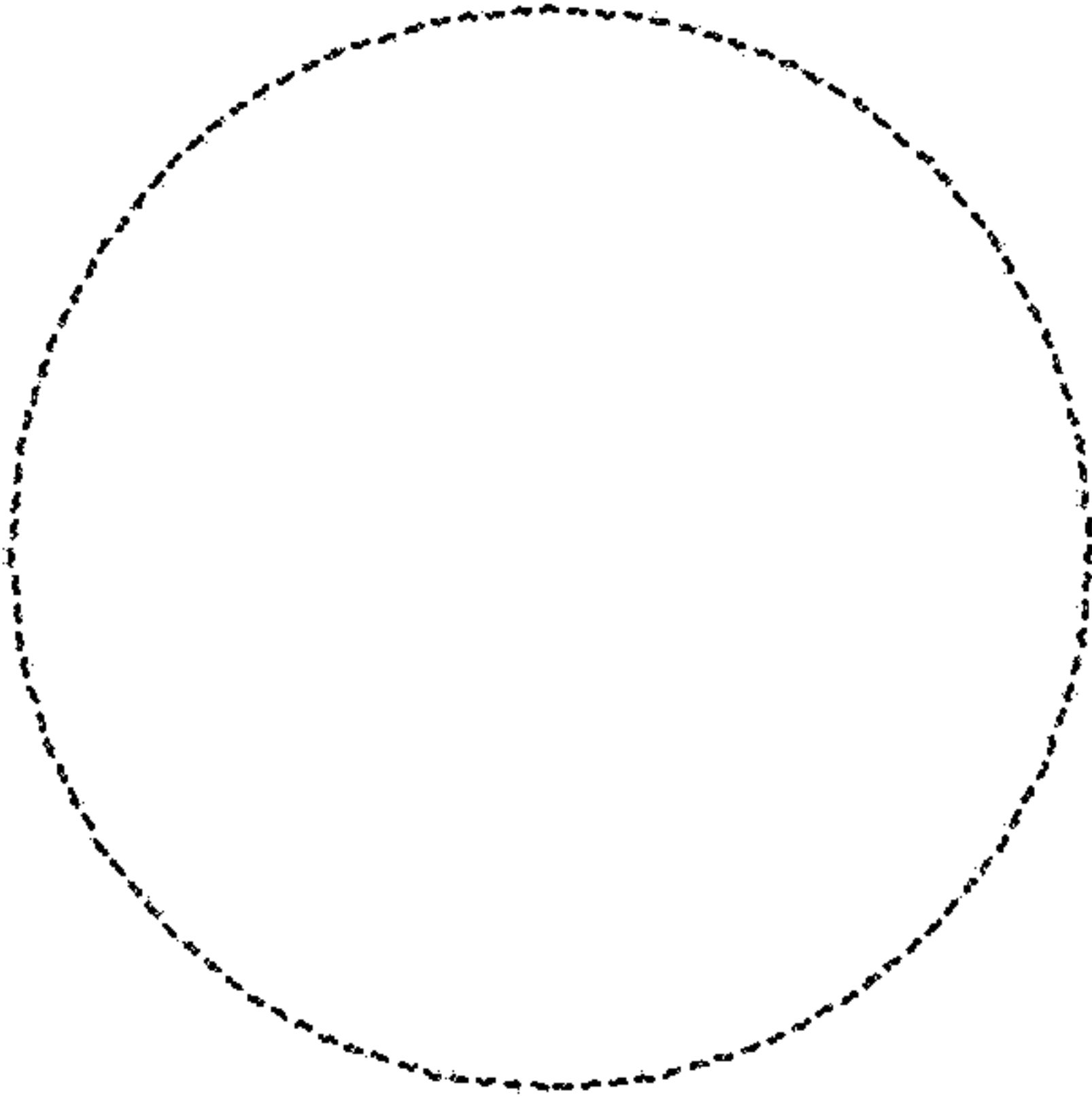
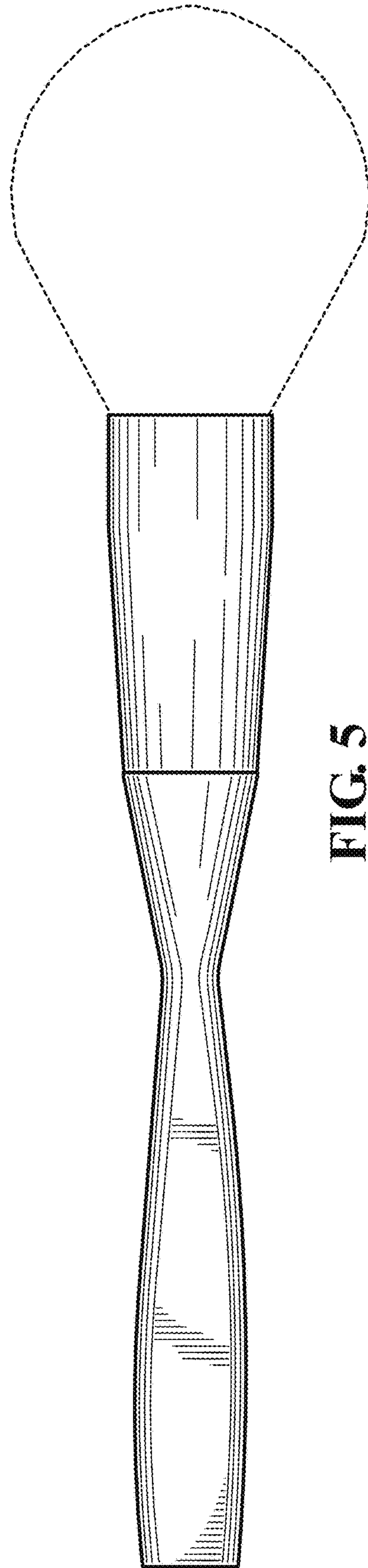
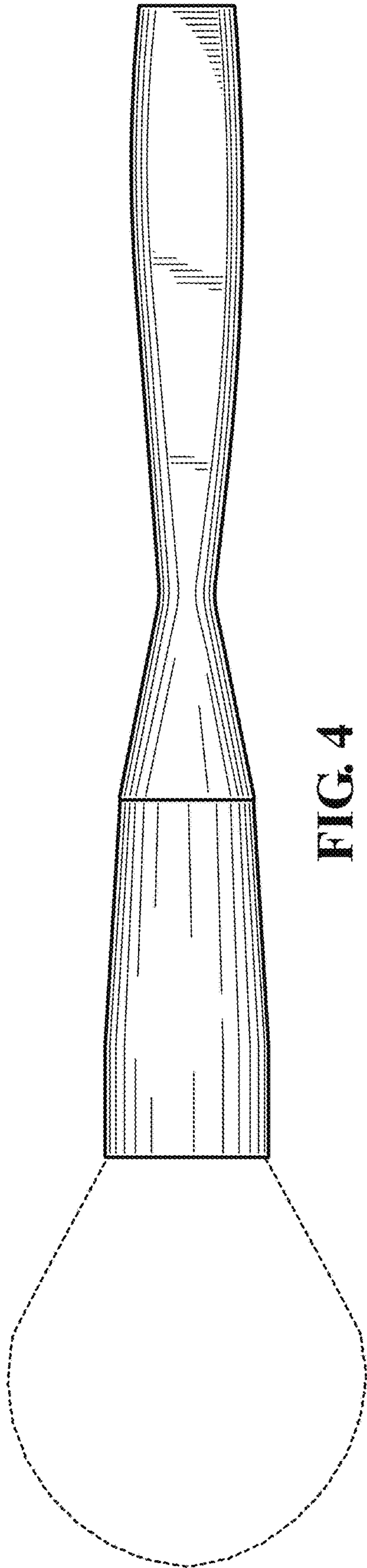


FIG. 2



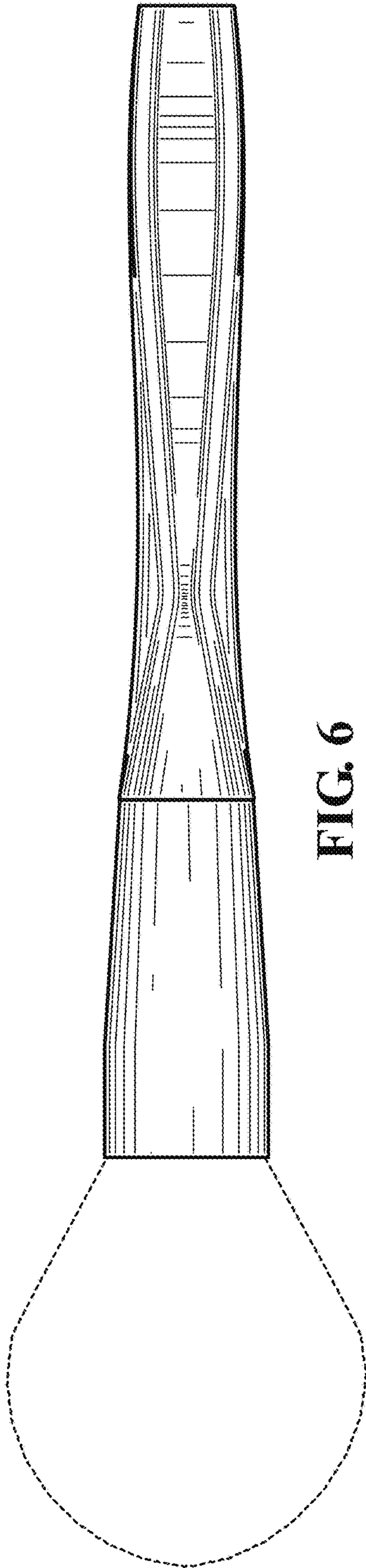


FIG. 6

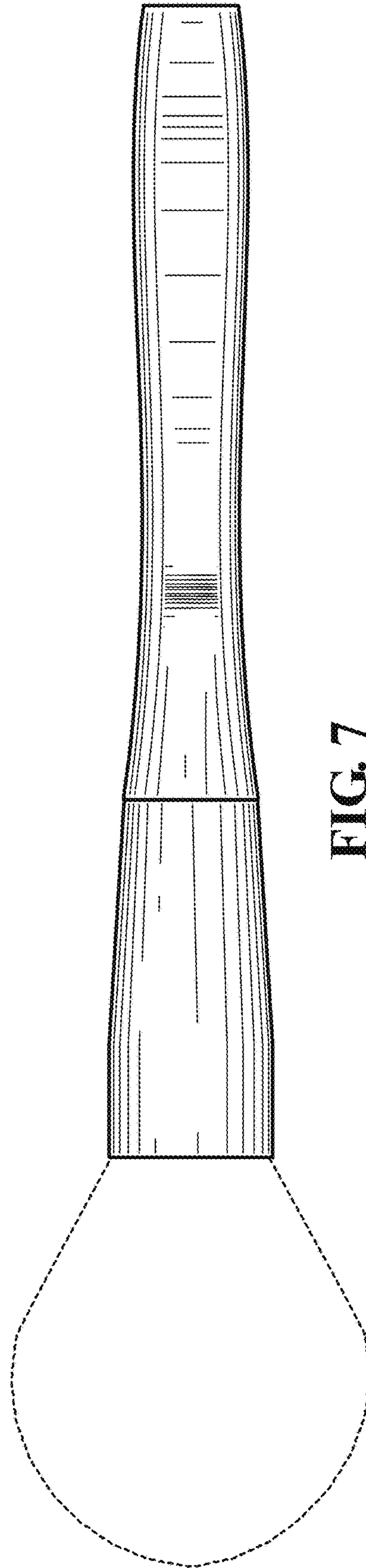


FIG. 7

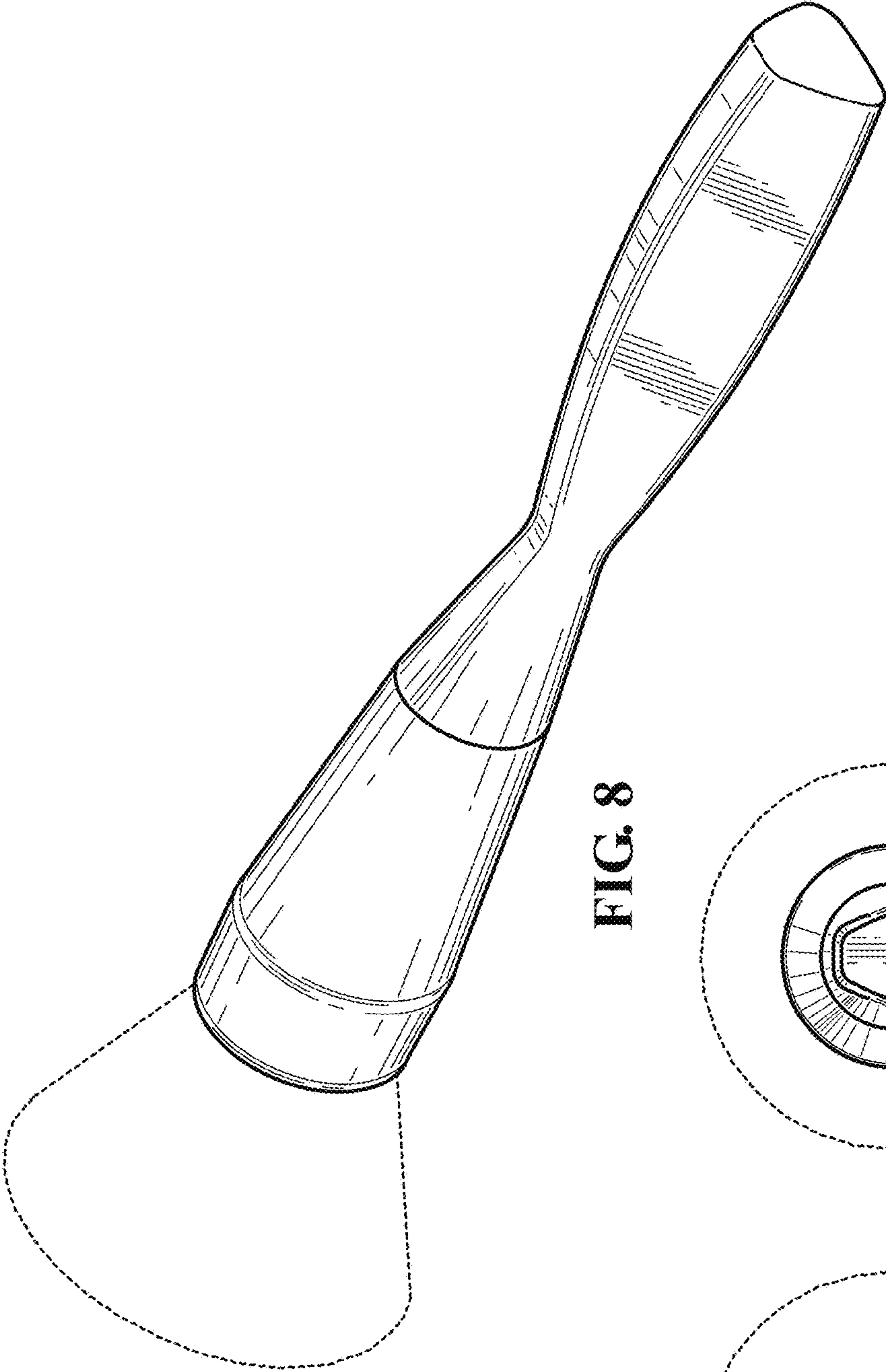


FIG. 8

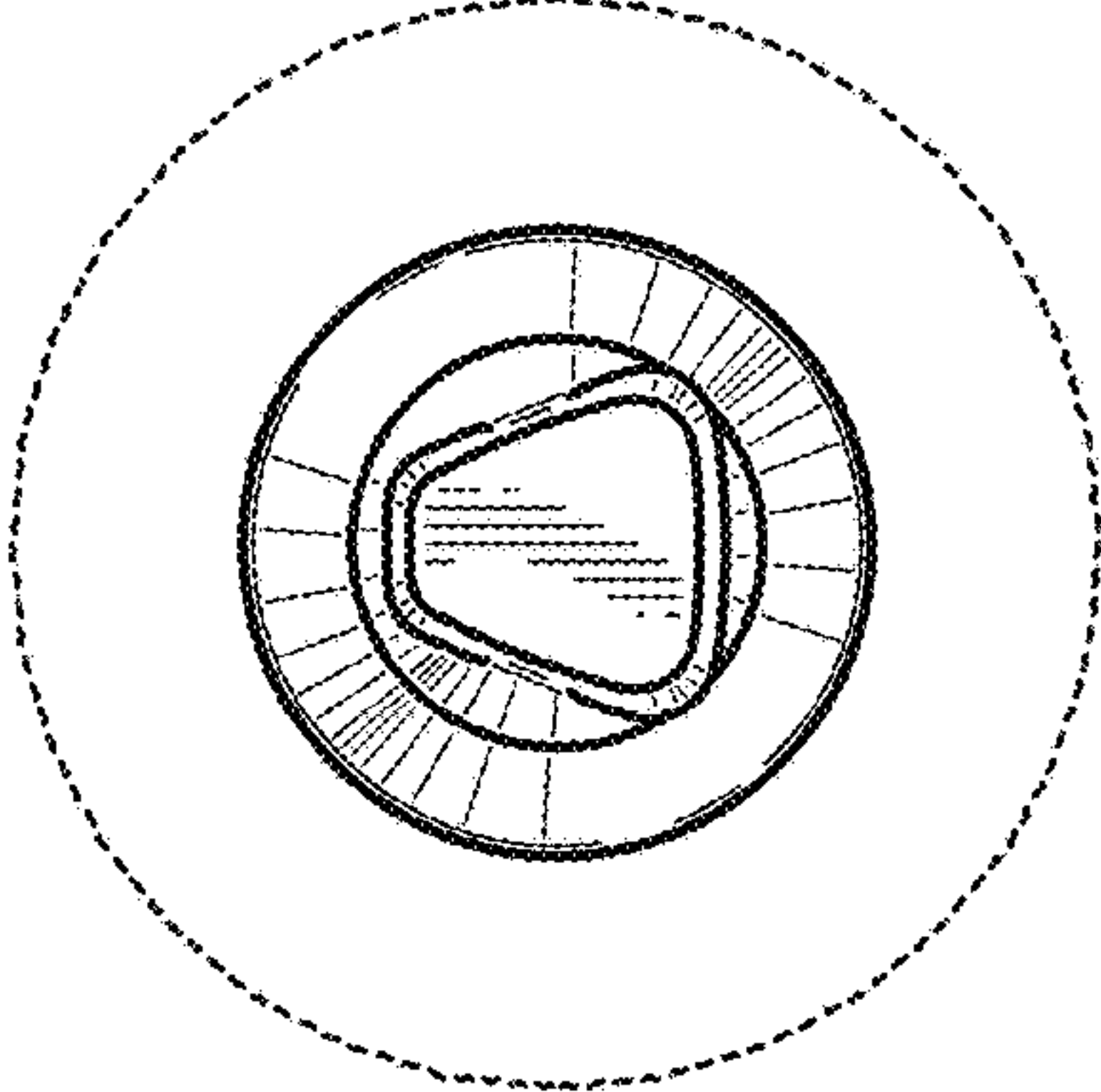


FIG. 10

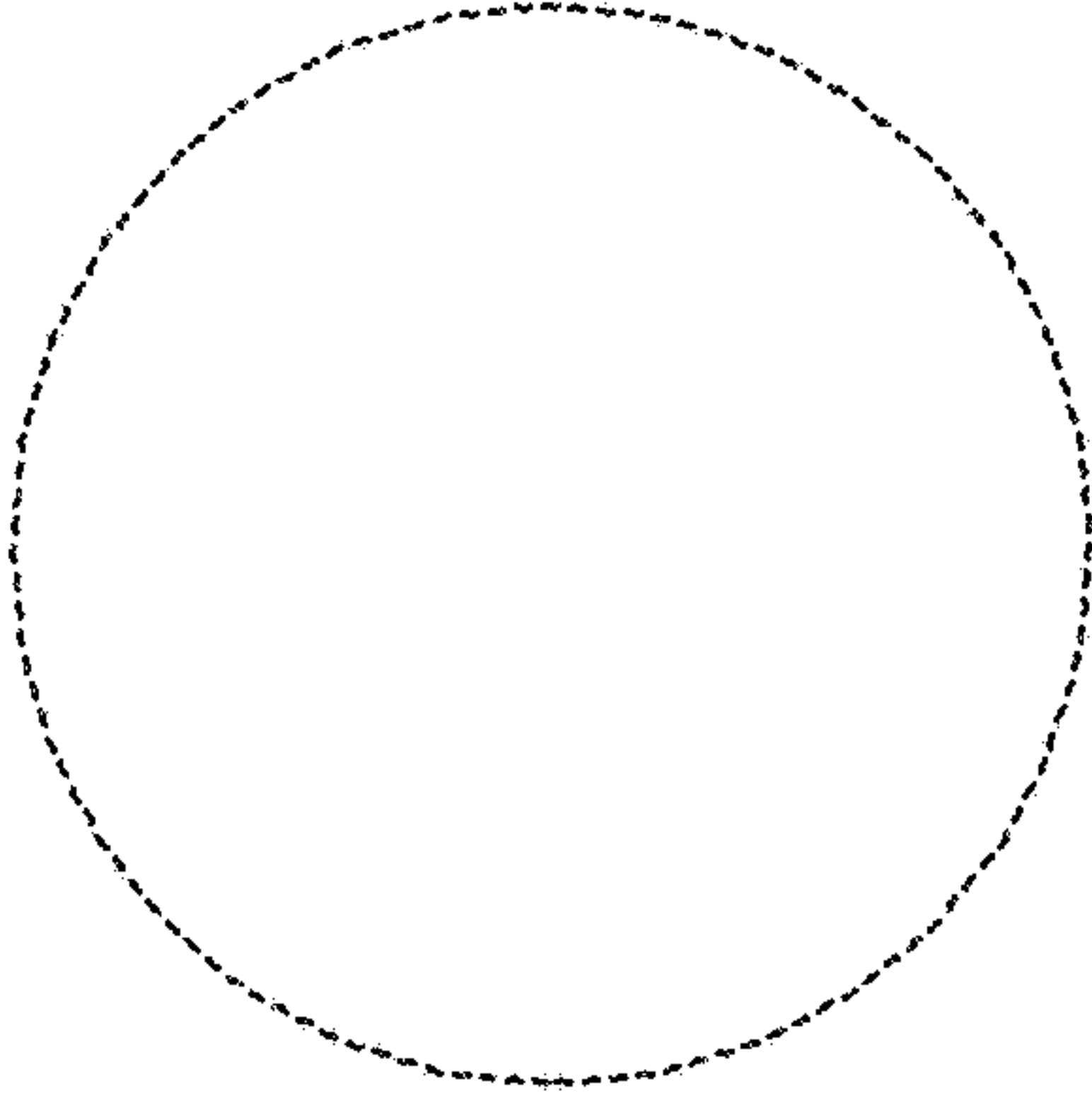


FIG. 9

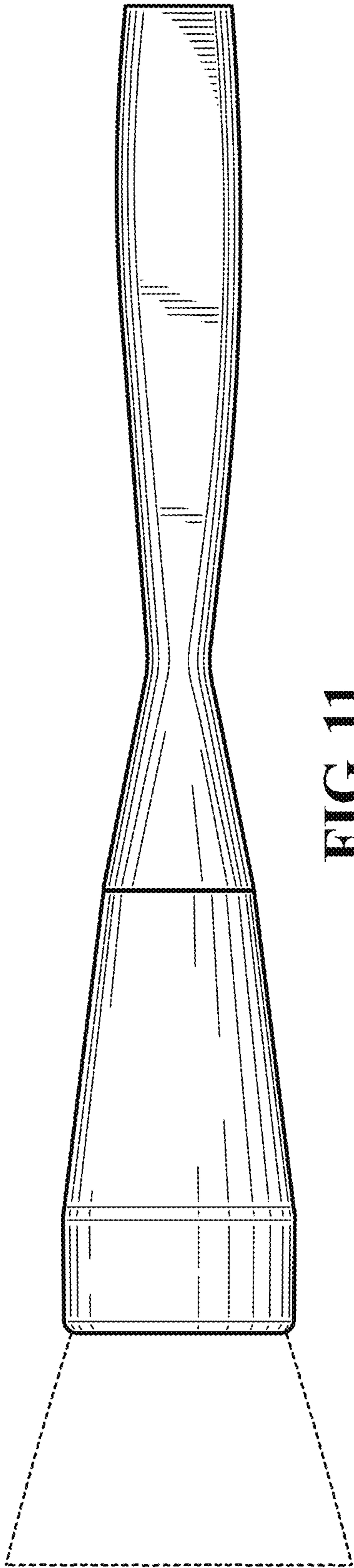


FIG. 11

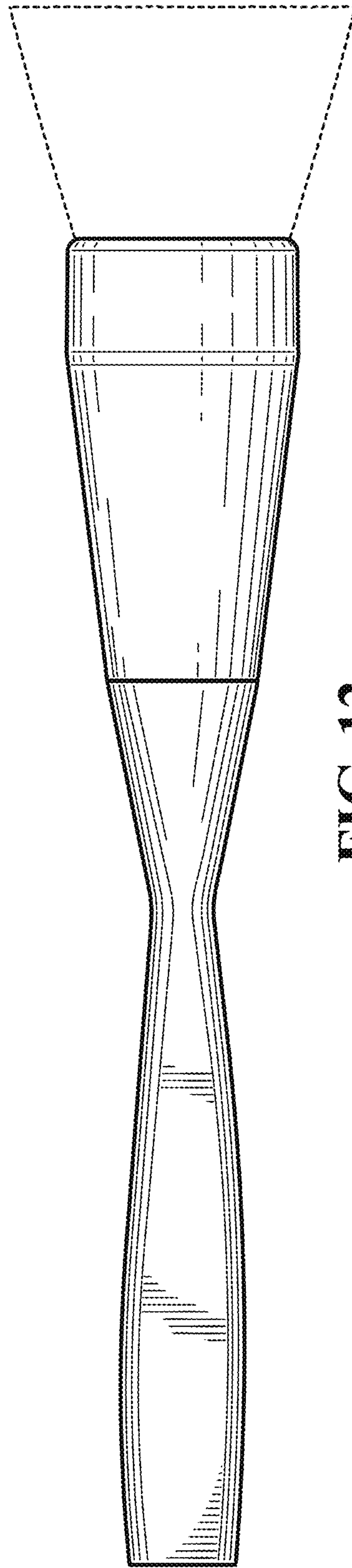


FIG. 12

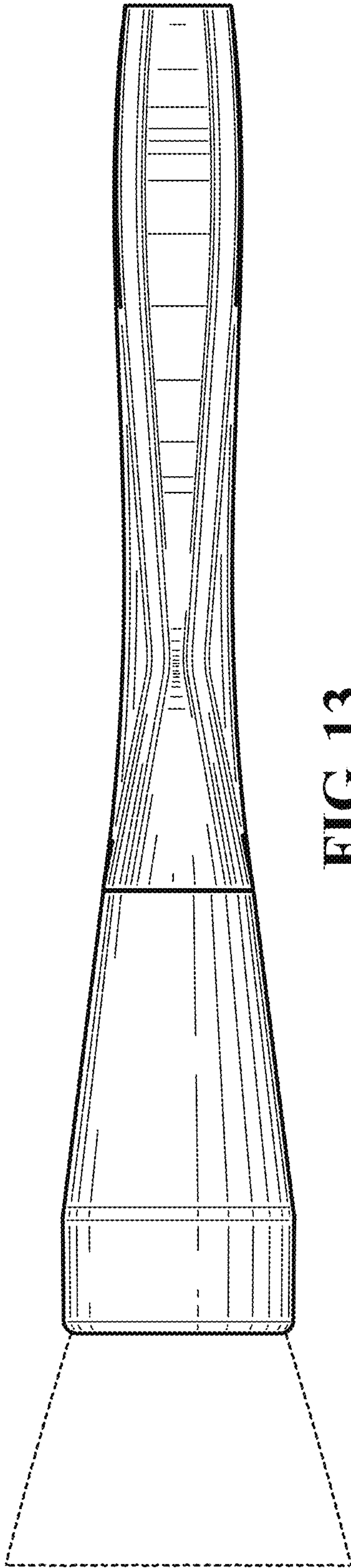


FIG. 13

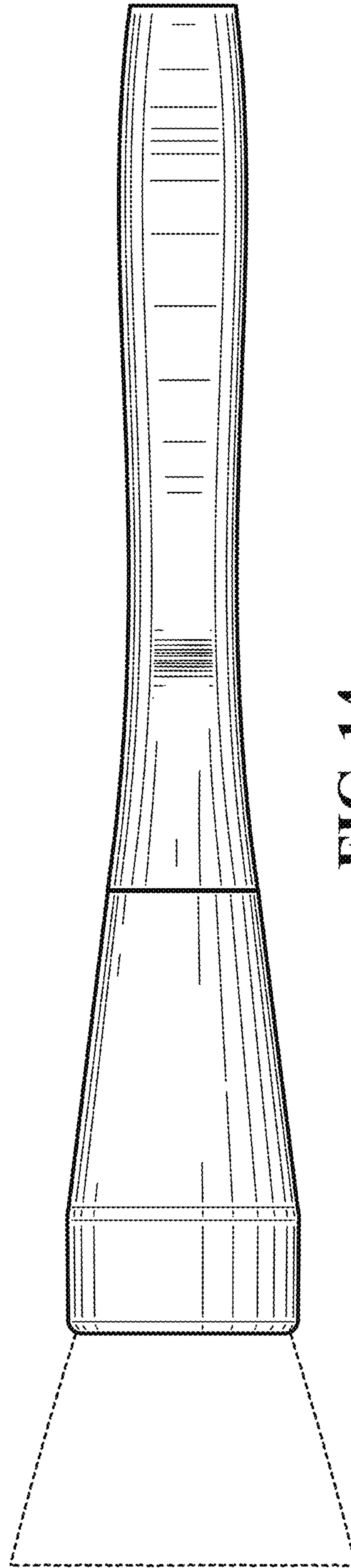


FIG. 14