

US00D800456S

(12) **United States Design Patent** (10) **Patent No.:** **US D800,456 S**
Libman et al. (45) **Date of Patent:** **** Oct. 24, 2017**

(54) **BRUSH HANDLE**

FOREIGN PATENT DOCUMENTS

(71) Applicant: **The Libman Company**, Arcola, IL (US)

CN 3598949 1/2007
FR 346327 A 1/1905

(Continued)

(72) Inventors: **Andrew D. Libman**, Champaign, IL (US); **Aaron Libman**, Champaign, IL (US); **Vincent H. Bowman**, Highland Park, IL (US); **Sam K. LaBanco**, Northbrook, IL (US); **William Andrew Mouratis**, Chicago, IL (US); **Christian J. Kulujian**, Chicago, IL (US)

OTHER PUBLICATIONS

Disposable Toilet Case System, [on-line] [publication date to the Internet unknown]; [retrieved from the Internet on Feb. 15, 2017]; URL: <<https://libman.com/products/disposable-toilet-care-system/>>. (2 pages).*

(Continued)

(73) Assignee: **The Libman Company**, Arcola, IL (US)

Primary Examiner — Karen E. Eldridge Powers

Assistant Examiner — Jasmine Mlinarcik

(74) *Attorney, Agent, or Firm* — Banner & Witcoff, Ltd.

(**) Term: **15 Years**

(21) Appl. No.: **29/557,059**

(22) Filed: **Mar. 4, 2016**

(51) **LOC (10) Cl.** **04-02**

(52) **U.S. Cl.**
USPC **D4/138**

(58) **Field of Classification Search**
USPC D4/101, 104, 111, 132, 133, 137, 138, D4/199; D8/107, 300, 303, 313; D24/133; D28/7, 63, 68; D32/49, 51; 15/106, 143.1; 16/430
CPC A46B 1/00; A46B 5/00; A46B 5/0033; A46B 5/0062; A46B 5/02; A46B 5/021; A46B 9/04; A46B 2200/1066; A46B 2200/1073; A46B 2200/20; A47L 13/00; A47L 13/022; A47L 13/16; A47L 13/17; A47L 13/20; A47L 13/22; A47L 13/225; A47L 13/24; A47L 13/50; A47K 11/10;
(Continued)

(57) **CLAIM**

The ornamental design for a brush handle, as shown and described.

DESCRIPTION

FIG. 1 is a rear, left perspective view of a brush handle showing our new design; FIG. 2 is a left side elevation view thereof; FIG. 3 is a right side elevation view thereof; FIG. 4 is a rear elevation view thereof; FIG. 5 is a front elevation view thereof; and, FIG. 6 is a top plan view thereof. The even-length broken lines within the bounds of the claimed design and adjacent to the bounds of the claimed design represent environmental structure. The uneven-length broken lines within the bounds of the claimed design represent environmental structure. Neither the even-length nor the uneven-length broken lines form part of the claimed design.

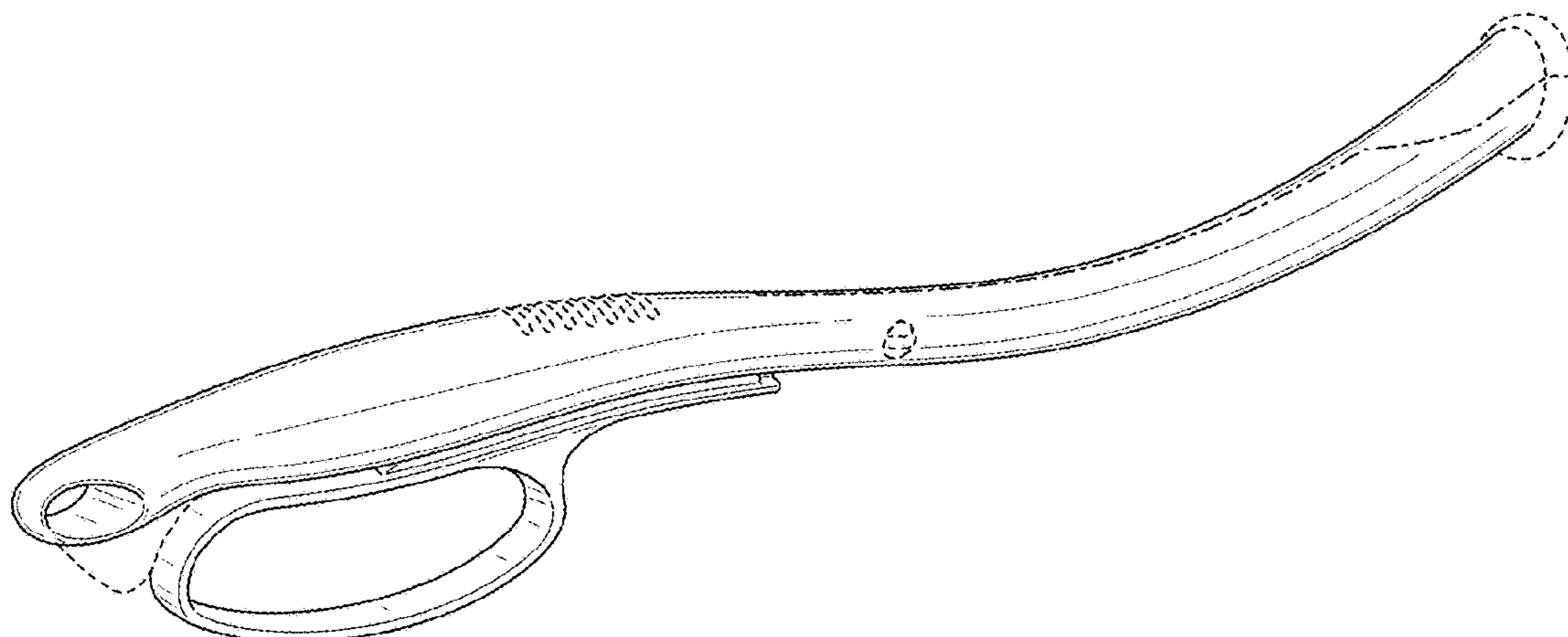
(56) **References Cited**

U.S. PATENT DOCUMENTS

339,652 A 4/1886 Horton
1,409,059 A 3/1922 Miller

(Continued)

1 Claim, 3 Drawing Sheets



(58) **Field of Classification Search**
 CPC . A47K 17/00; B25G 1/00; B25G 1/10; B25G
 1/102
 See application file for complete search history.

(56) **References Cited**

U.S. PATENT DOCUMENTS

1,438,794 A 12/1922 Tudor
 1,524,008 A 1/1925 Samuel
 1,538,279 A 5/1925 Berger
 1,577,944 A 3/1926 Bennington
 1,684,880 A 9/1928 Norton
 1,807,239 A 5/1931 Guentzler
 1,897,365 A 2/1933 Duey
 2,030,911 A 2/1936 Borden
 2,150,178 A 3/1939 Maywald
 D122,815 S * 10/1940 Crosby 15/111
 2,221,128 A 11/1940 Bates
 2,320,611 A 6/1943 Kandle
 2,320,967 A 6/1943 Dunkelberger
 2,402,577 A 6/1946 Rodgers
 2,438,152 A 3/1948 Semple
 2,493,835 A 1/1950 Schimel
 2,648,085 A 8/1953 Rodgers
 2,752,625 A 7/1956 Ponsell
 2,786,223 A 3/1957 Ziskind
 2,820,234 A 1/1958 Rigney
 3,067,450 A 12/1962 Happy
 3,075,222 A 1/1963 Miller
 3,100,311 A 8/1963 Tutino
 3,333,292 A 8/1967 Chase et al.
 3,413,673 A 12/1968 Gewirz
 3,737,939 A 6/1973 Jones, Sr.
 3,875,609 A 4/1975 Wells
 3,949,137 A 4/1976 Akrongold et al.
 4,031,673 A 6/1977 Hagelberg
 4,090,808 A 5/1978 Nannen
 4,186,451 A 2/1980 Ruo
 4,457,038 A 7/1984 Hammond
 4,546,514 A 10/1985 Tutino
 D283,375 S * 4/1986 Rothrock D4/111
 4,610,111 A 9/1986 Cox
 4,663,796 A 5/1987 Helling et al.
 4,714,389 A 12/1987 Johne
 5,311,634 A 5/1994 Andros
 5,488,748 A 2/1996 Koch
 D373,251 S * 9/1996 Young D32/42
 5,592,713 A 1/1997 Ronos
 5,630,243 A 5/1997 Federico et al.
 D392,104 S * 3/1998 Berti D4/138
 5,779,404 A 7/1998 Jore
 5,842,810 A 12/1998 Morad
 5,865,077 A 2/1999 Moffitt, Jr. et al.
 6,044,515 A 4/2000 Zygmunt
 D428,027 S 7/2000 Kouvelis
 6,094,771 A 8/2000 Egolf et al.
 D448,932 S * 10/2001 Harada D4/104
 6,295,688 B1 10/2001 Sayles et al.
 6,336,241 B1 1/2002 Wilson
 6,463,620 B2 10/2002 Busha
 6,485,212 B1 11/2002 Bomgaars et al.
 D468,112 S 1/2003 Libman et al.
 6,507,972 B2 1/2003 Hart
 6,511,268 B1 1/2003 Vasudeva et al.
 6,611,986 B1 9/2003 Seals
 D483,916 S 12/2003 Crosswaite
 6,709,185 B2 3/2004 Lefevre
 D490,983 S * 6/2004 Tini D4/104
 6,745,427 B1 6/2004 Trenz et al.
 D501,728 S 2/2005 Conway et al.
 D502,002 S 2/2005 Conway et al.
 D502,324 S 3/2005 Conway et al.
 D506,128 S 6/2005 Foi
 D509,033 S 8/2005 Dotterman et al.
 D516,895 S 3/2006 Minkler et al.
 7,032,270 B2 4/2006 Vitantonio et al.

D520,852 S 5/2006 Minkler et al.
 7,059,008 B2 6/2006 Morgan et al.
 7,065,825 B2 6/2006 Minkler et al.
 7,065,838 B2 6/2006 Mitchell et al.
 D524,058 S 7/2006 Tapp
 7,127,768 B2 10/2006 Blum et al.
 D532,945 S 11/2006 Charmoille et al.
 7,146,676 B2 12/2006 Kubes et al.
 7,159,265 B2 1/2007 Soller et al.
 7,213,706 B2 5/2007 Belser et al.
 D544,775 S 6/2007 Cybulski et al.
 D544,776 S 6/2007 Cybulski et al.
 D552,444 S 10/2007 Cybulski et al.
 D552,445 S 10/2007 Cybulski et al.
 D552,446 S 10/2007 Cybulski et al.
 D552,816 S 10/2007 Cybulski et al.
 7,275,276 B2 10/2007 Jaszenovics et al.
 7,284,294 B2 10/2007 Kozakow
 7,287,295 B2 10/2007 Treacy et al.
 D556,537 S 12/2007 Cybulski et al.
 7,316,046 B2 1/2008 Michaels et al.
 7,343,638 B2 3/2008 Mitchell et al.
 7,386,910 B2 6/2008 Minkler et al.
 7,386,913 B2 6/2008 Jackson
 D575,518 S 8/2008 Libman et al.
 D575,525 S 8/2008 Libman et al.
 D575,528 S 8/2008 Libman et al.
 7,424,764 B2 9/2008 Trenz et al.
 D579,211 S 10/2008 Libman et al.
 D588,365 S 3/2009 Conway et al.
 D591,020 S 4/2009 Dotterman et al.
 7,581,276 B2 9/2009 Endo et al.
 7,584,519 B2 9/2009 Ouellette et al.
 7,603,739 B2 10/2009 Minkler et al.
 7,650,663 B2 1/2010 Michaels et al.
 D609,871 S 2/2010 Zach et al.
 D614,373 S 4/2010 Zach et al.
 7,743,451 B2 6/2010 Kim
 D623,417 S 9/2010 Buck et al.
 7,811,022 B2 * 10/2010 Bobrosky A47L 9/04
 15/209.1
 7,827,648 B2 11/2010 Soller et al.
 7,841,927 B2 11/2010 Krause et al.
 D632,090 S 2/2011 Cobabe et al.
 D632,490 S 2/2011 Cobabe et al.
 D632,491 S 2/2011 Lowe et al.
 7,900,287 B2 3/2011 Wildauer et al.
 7,904,987 B2 3/2011 Bayon et al.
 7,958,590 B2 6/2011 Trefethren et al.
 8,015,653 B2 9/2011 Bargiel et al.
 8,286,295 B2 10/2012 Minkler et al.
 D696,828 S 12/2013 Ashe et al.
 D699,038 S 2/2014 Ono
 D699,039 S 2/2014 Ono
 D699,040 S 2/2014 Ono
 8,726,444 B2 5/2014 Gaines et al.
 D709,260 S 7/2014 Molinet et al.
 8,763,192 B2 7/2014 Uchiyama et al.
 9,021,649 B2 5/2015 Minkler et al.
 D730,711 S 6/2015 Chaffee et al.
 D737,011 S 8/2015 Cho
 9,408,522 B2 * 8/2016 Wang A47L 17/08
 9,655,482 B2 * 5/2017 Michelson A47K 11/10
 2002/0007527 A1 1/2002 Hart
 2002/0132573 A1 9/2002 Rich et al.
 2003/0070246 A1 4/2003 Cavalheiro
 2004/0010877 A1 1/2004 Jackson
 2004/0019996 A1 2/2004 Singer
 2004/0093678 A1 5/2004 Hart et al.
 2004/0177863 A1 9/2004 McKay
 2004/0219869 A1 11/2004 MacKay
 2004/0221410 A1 11/2004 Padula
 2004/0223803 A1 * 11/2004 Fahy A47L 1/15
 401/190
 2004/0244130 A1 * 12/2004 Kim A47K 11/10
 15/104.94
 2005/0055790 A1 3/2005 Brewer
 2005/0138748 A1 6/2005 Cisneros
 2005/0227600 A1 10/2005 Fisher

(56)

References Cited

U.S. PATENT DOCUMENTS

2006/0010625 A1 1/2006 Tapper et al.
 2006/0168750 A1 8/2006 Dotterman et al.
 2006/0174914 A1 8/2006 Murphy
 2006/0225237 A1* 10/2006 Gartland A47K 11/10
 15/210.1
 2007/0079460 A1 4/2007 Tapp et al.
 2007/0186365 A1 8/2007 Armaly
 2007/0245508 A1 10/2007 Gartland
 2008/0171501 A1 7/2008 Woods et al.
 2008/0250590 A1* 10/2008 Trefethren A47K 11/10
 15/145
 2008/0263797 A1 10/2008 Berger et al.
 2009/0098812 A1 4/2009 Boeck et al.
 2011/0225755 A1 9/2011 Carlson et al.
 2012/0233800 A1* 9/2012 Smets A47K 11/10
 15/207.2
 2012/0246854 A1 10/2012 Uchiyama et al.
 2013/0071171 A1 3/2013 Stewart
 2014/0013527 A1 1/2014 Molinet et al.
 2014/0130827 A1 5/2014 Dotterman et al.
 2014/0157535 A1 6/2014 Minkler et al.

2014/0182073 A1 7/2014 Mitchell
 2014/0251844 A1 9/2014 Michelson et al.
 2015/0157178 A1 6/2015 Burns

FOREIGN PATENT DOCUMENTS

GB 2099062 2/2001
 GB 2362565 A 11/2001
 JP 2000-308600 A 11/2000
 JP D1237274 4/2005
 KR 300471614 12/2007
 WO 01/15587 A1 3/2001

OTHER PUBLICATIONS

Dewalt Max Fit Screwdriving Set, oldest review Apr. 26, 2014, [http://www.homedepot.com/p/DEWAL T-Max-Fit-Screwdriving-Set-30-Piece-DWA2SLS . . .](http://www.homedepot.com/p/DEWAL-T-Max-Fit-Screwdriving-Set-30-Piece-DWA2SLS...) site visited Mar. 19, 2017.
 prop cleaning—dremel cup brush? 1 SailboatOwners.com Forum date Dec. 13, 2008, [site visited Mar. 19, 2017 3:22:35 PM], <https://forums.sailboatowners.com/index.php?threads/prop-cleaning-dremel-cup-brush.1-03909/>.

* cited by examiner

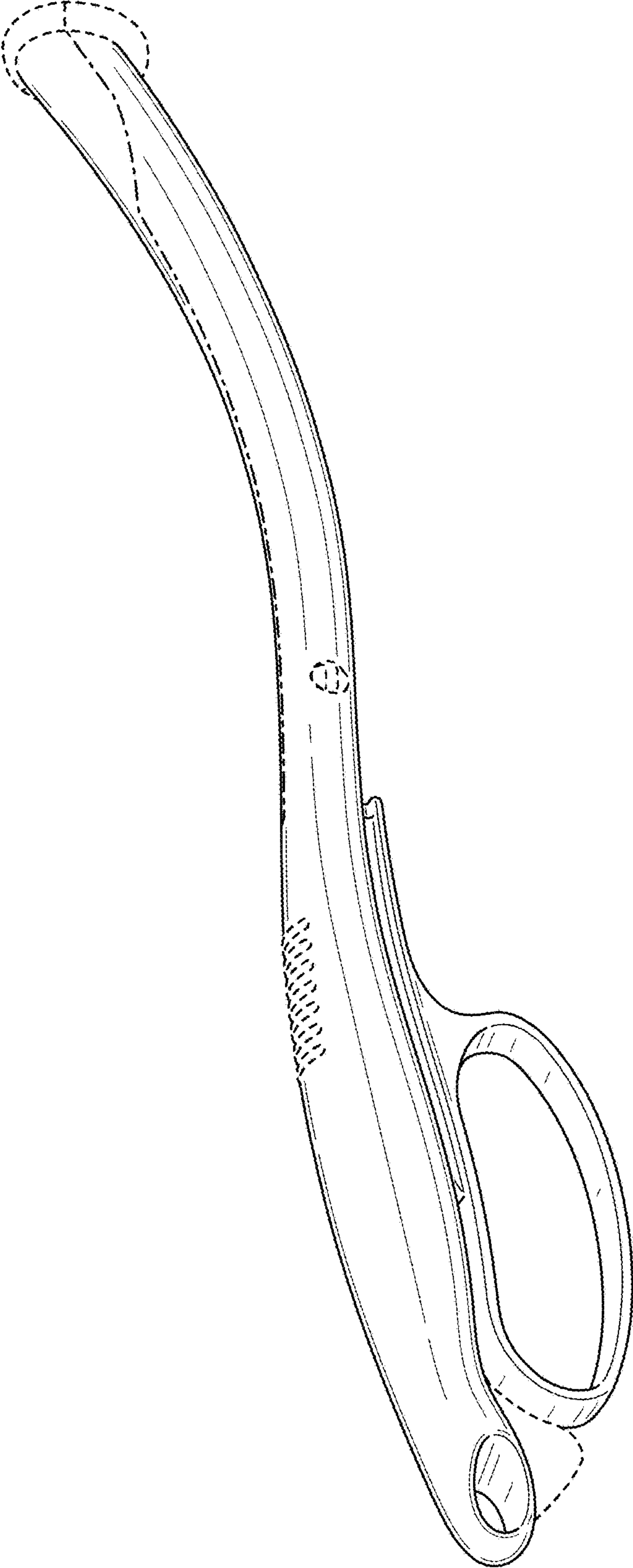


FIG. 1

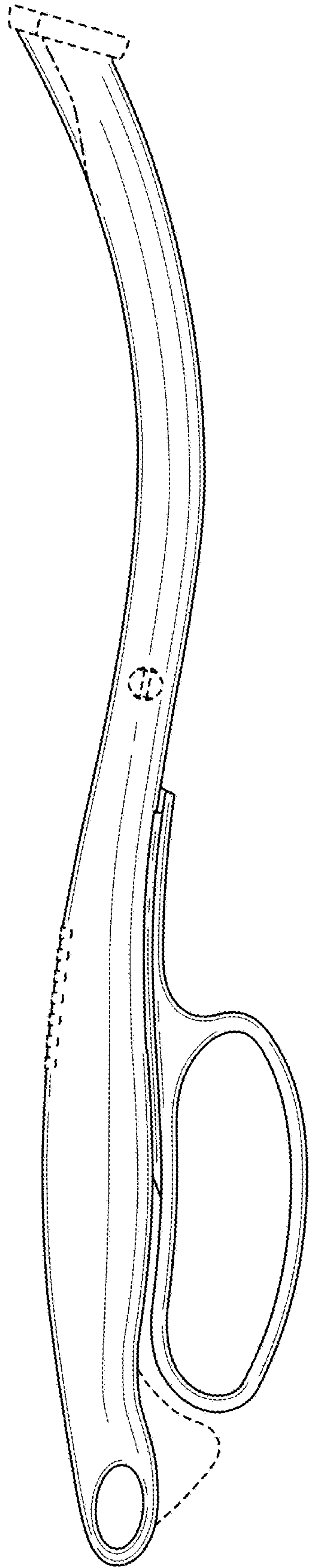


FIG. 2

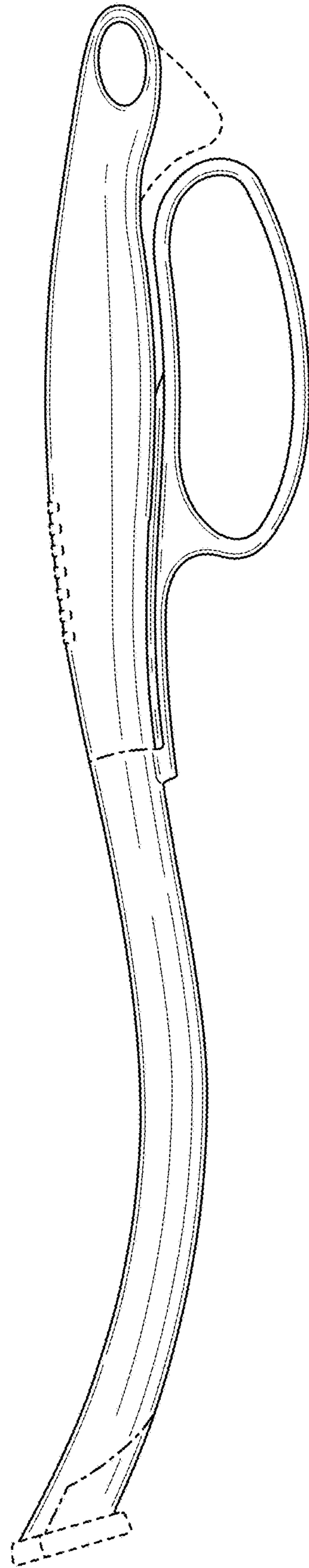


FIG. 3

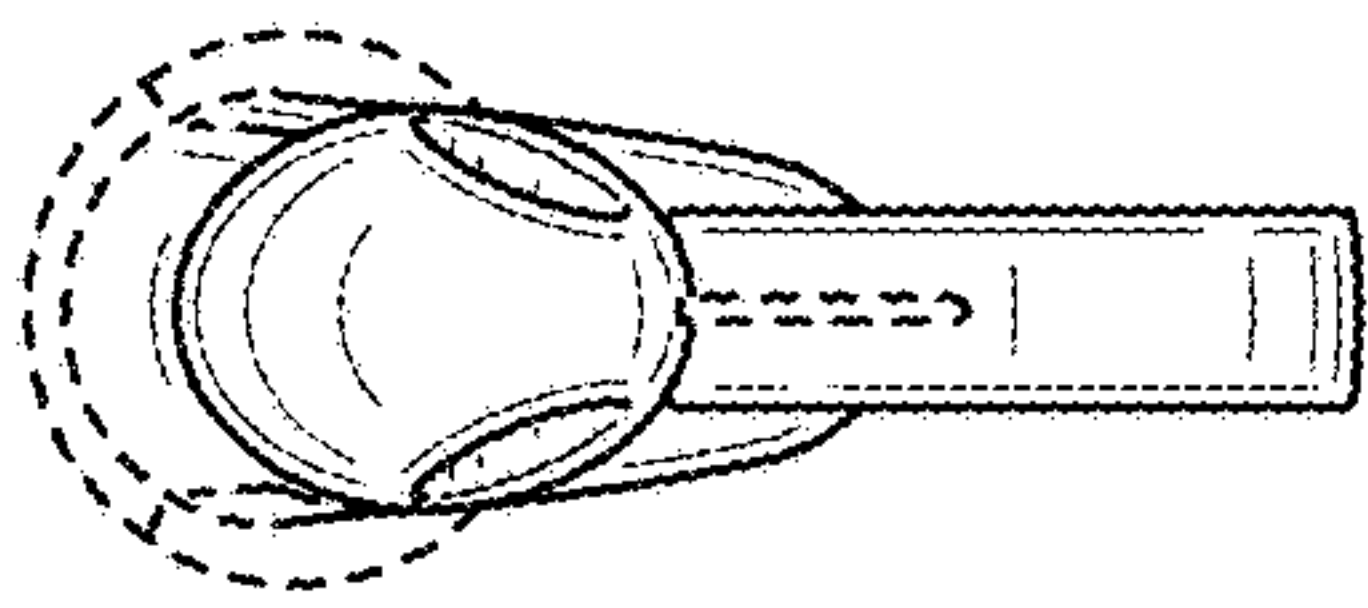


FIG. 4

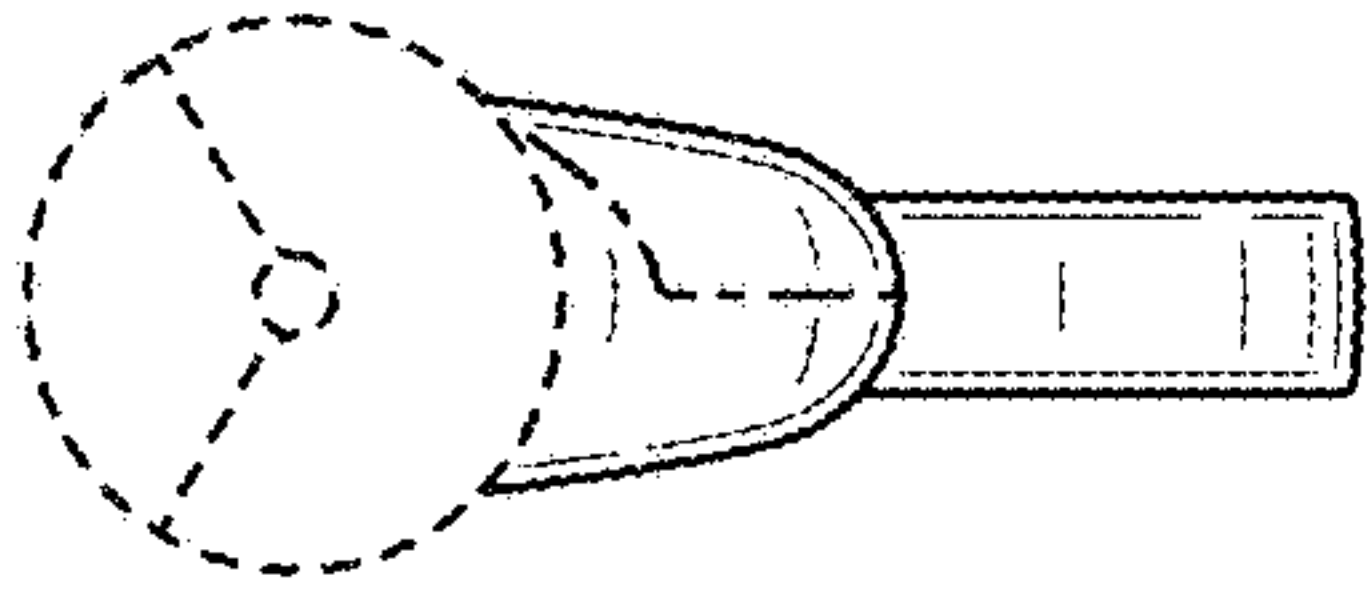


FIG. 5

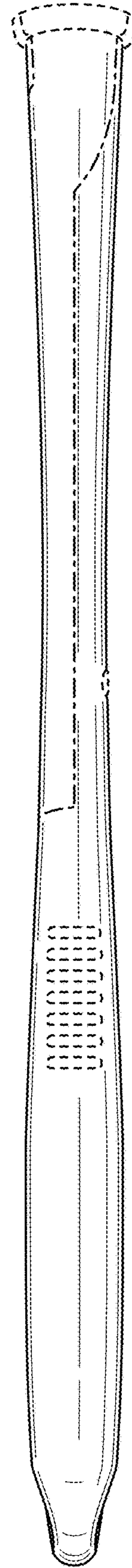


FIG. 6