



US00D800455S

(12) **United States Design Patent**
Ferris

(10) **Patent No.:** **US D800,455 S**

(45) **Date of Patent:** **** Oct. 24, 2017**

(54) **PAINT ROLLER**

(71) Applicant: **John Needham Ferris**, McDonough,
GA (US)

(72) Inventor: **John Needham Ferris**, McDonough,
GA (US)

(**) Term: **15 Years**

(21) Appl. No.: **29/578,303**

(22) Filed: **Sep. 20, 2016**

(51) **LOC (10) Cl.** **04-01**

(52) **U.S. Cl.**
USPC **D4/122**

(58) **Field of Classification Search**
USPC D4/122, 138; 15/27, 104.001, 104.002,
15/230.11; 492/13, 16-19
CPC B05C 1/00; B05C 1/02; B05C 17/0205;
B44D 2/00
See application file for complete search history.

(56) **References Cited**

U.S. PATENT DOCUMENTS

4,263,690	A	*	4/1981	Dobosi	B05C 17/0205
						15/145
D465,090	S	*	11/2002	Robinson	D4/122
D578,769	S	*	10/2008	Patterson	D4/122
D603,609	S	*	11/2009	Reed	D4/122
D630,856	S	*	1/2011	Arvinte	D4/122
D677,903	S	*	3/2013	Boukair	D4/122

D695,018	S	*	12/2013	Gallardo	D4/122
D700,784	S	*	3/2014	Arvinte	D4/122
8,819,886	B1	*	9/2014	Boukair	B05C 17/02
						15/143.1
D728,945	S	*	5/2015	Neal	D4/122
D741,604	S	*	10/2015	Tyrowicz	D4/122
D753,923	S	*	4/2016	Pemberton	D4/122
D754,974	S	*	5/2016	Arvinte	D4/122
D758,082	S	*	6/2016	Rockwell	D4/122
D773,827	S	*	12/2016	Tyrowicz	D4/122
D796,211		*	9/2017	Getchell	D4/122

* cited by examiner

Primary Examiner — Austin Murphy

(74) *Attorney, Agent, or Firm* — Dunlap Bennett &
Ludwig PLLC

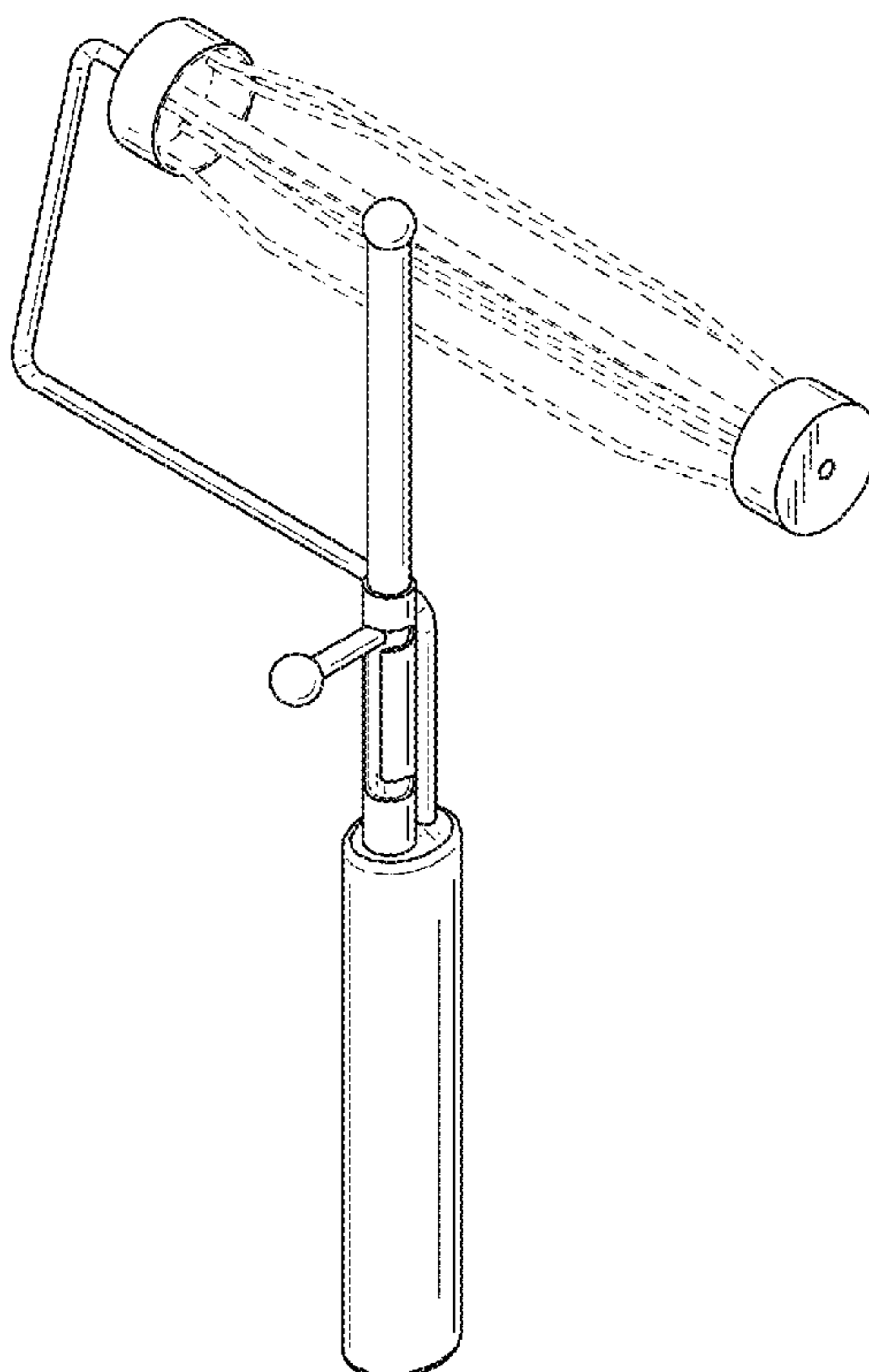
(57) **CLAIM**

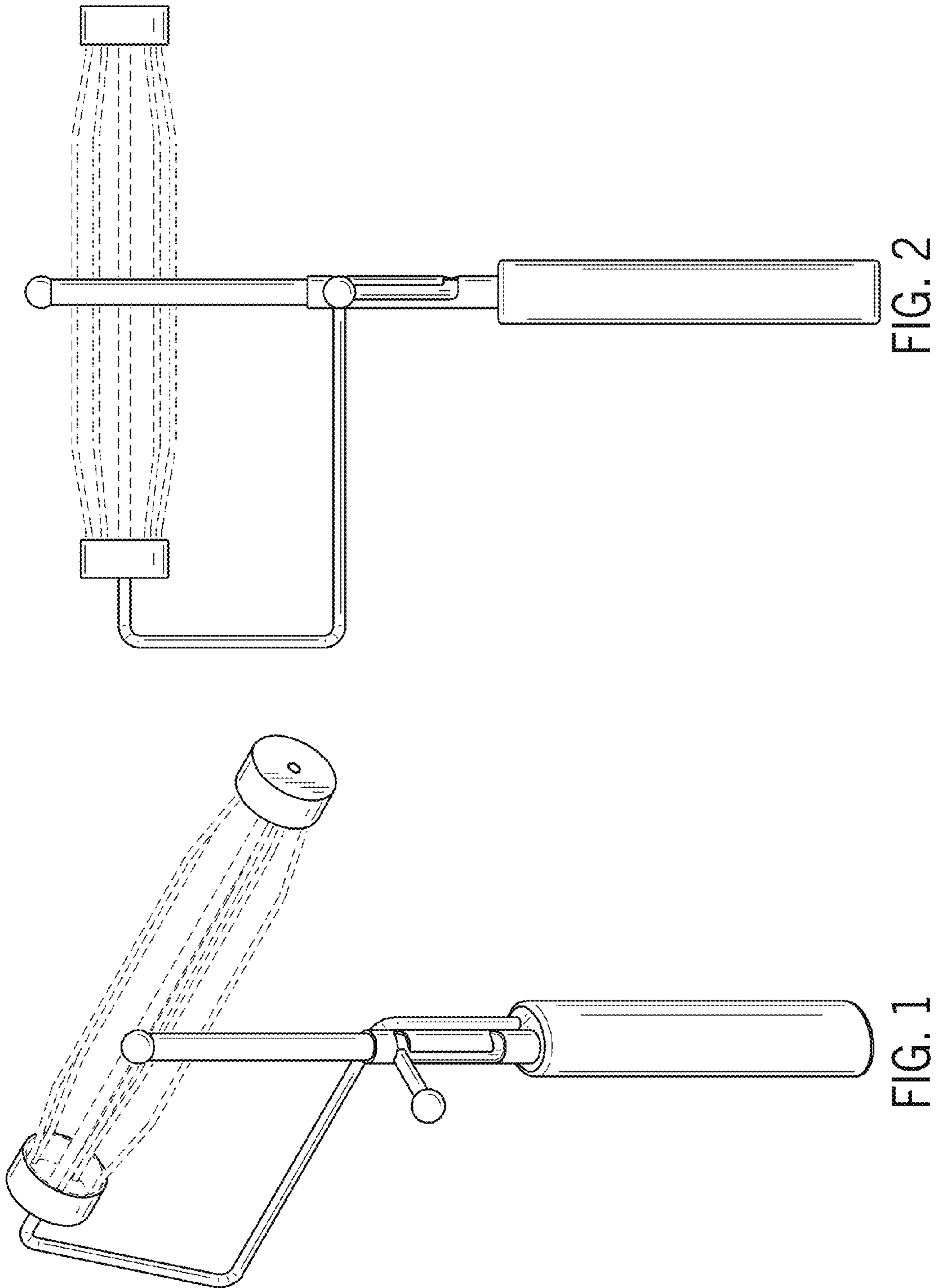
The ornamental design for a paint roller, as shown and described.

DESCRIPTION

FIG. 1 is a front perspective view of the paint roller showing my new design;
FIG. 2 is a front elevation view thereof;
FIG. 3 is a rear elevation view thereof;
FIG. 4 is a left side elevation view thereof;
FIG. 5 is a right side elevation view thereof;
FIG. 6 is a top plan view thereof; and,
FIG. 7 is a bottom plan view thereof.
The broken lines shown in the drawings illustrate portions of the paint roller that form no part of the claimed design.

1 Claim, 3 Drawing Sheets





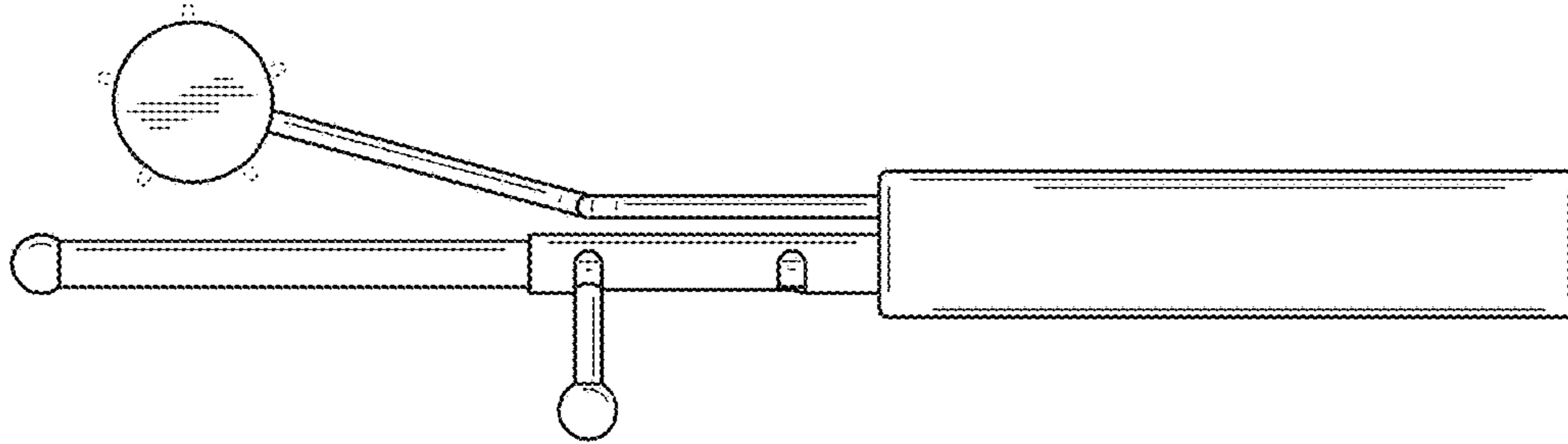


FIG. 5

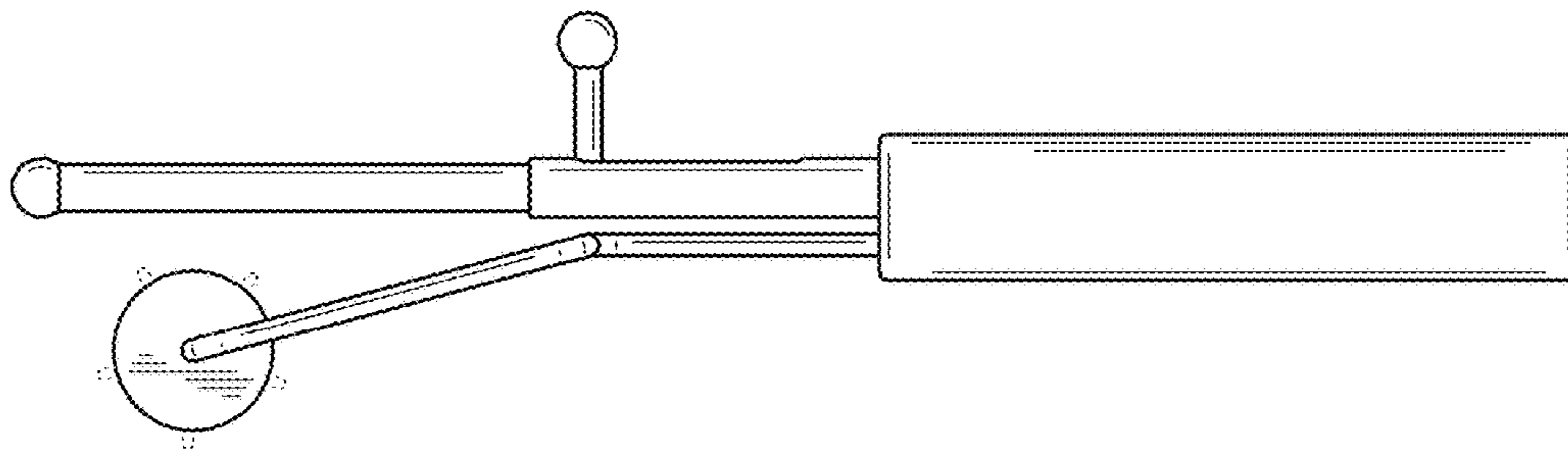


FIG. 4

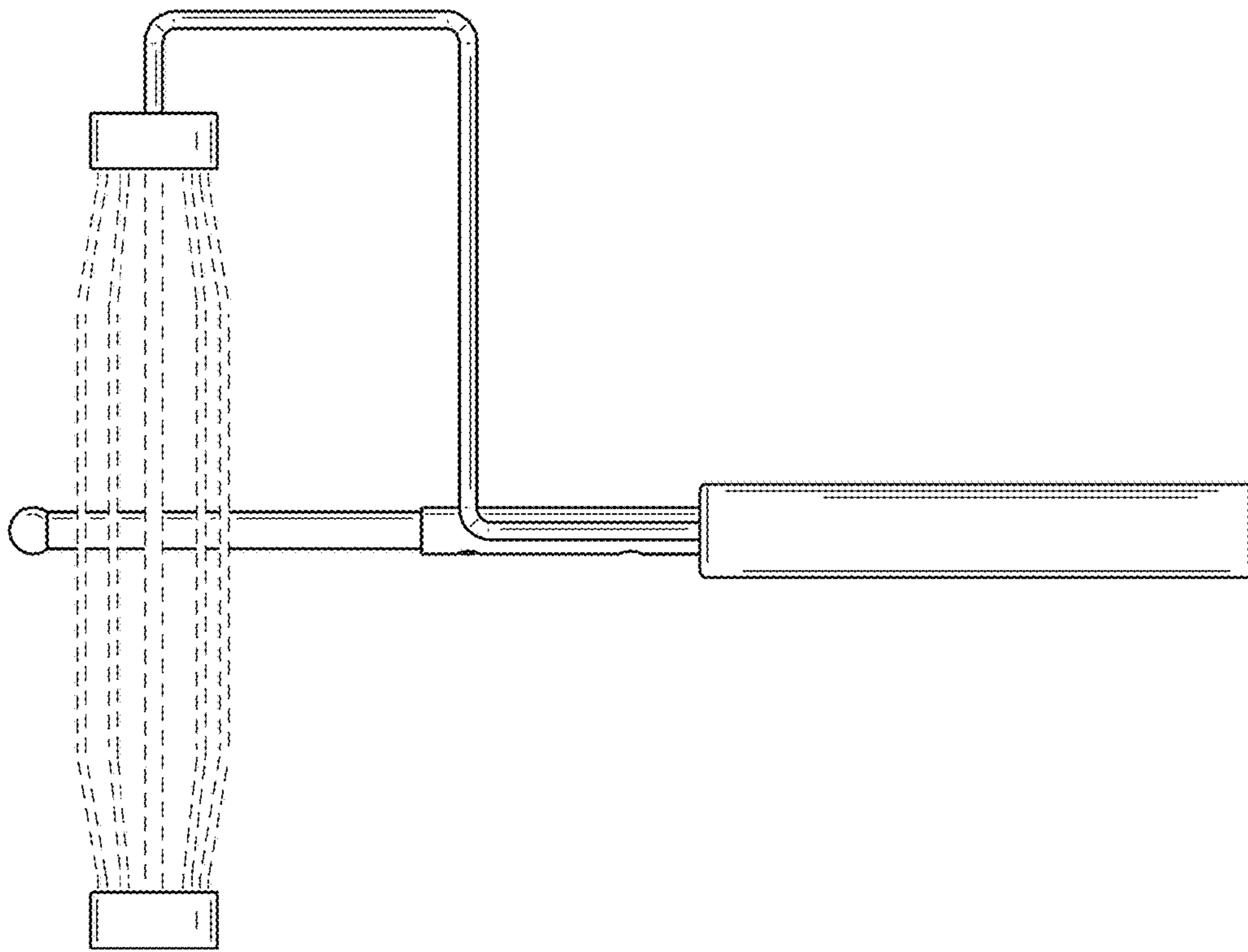


FIG. 3

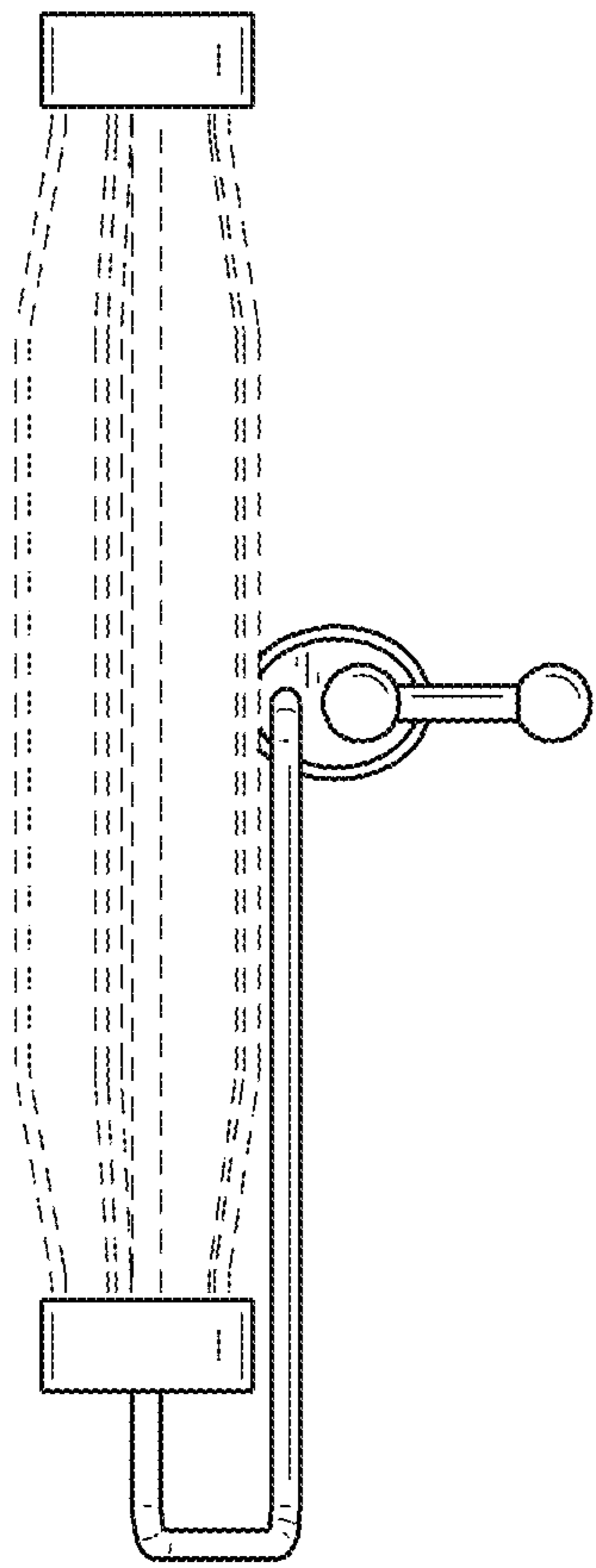


FIG. 6

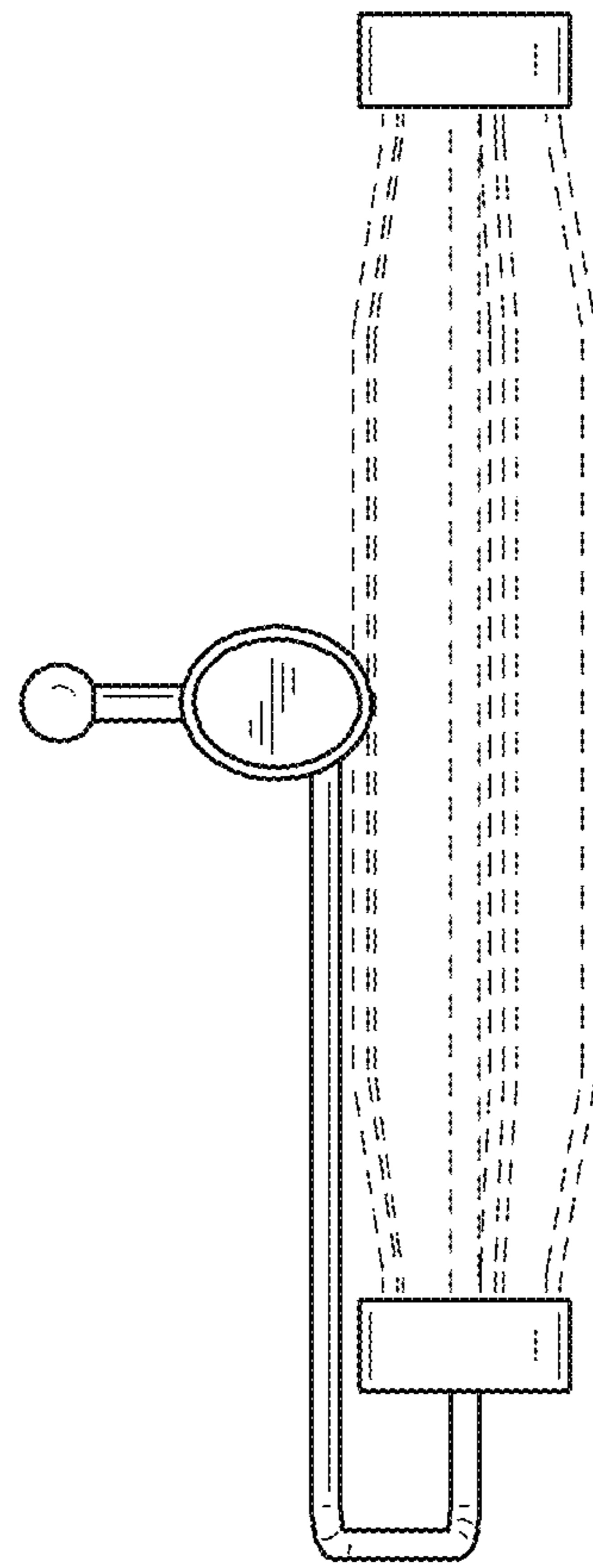


FIG. 7