



US00D800453S

(12) **United States Design Patent** (10) **Patent No.:** **US D800,453 S**
Raaholm (45) **Date of Patent:** **** Oct. 24, 2017**

- (54) **BAG WITH FABRIC PATTERN**
- (71) Applicant: **Camuto Consulting, Inc.**, Greenwich, CT (US)
- (72) Inventor: **Helena Raaholm**, New York, NY (US)
- (**) Term: **15 Years**
- (21) Appl. No.: **29/552,064**

- (22) Filed: **Jan. 20, 2016**
- (51) **LOC (10) Cl.** **03-01**
- (52) **U.S. Cl.**
USPC **D3/321; D5/56**
- (58) **Field of Classification Search**
USPC D5/1-8, 11-14, 16, 19, 20, 23, 24,
D5/26-28, 30, 32, 33, 37, 43, 44, 47-51,
D5/54, 56, 58, 59, 62-66, 99; D25/112,
D25/138, 151; D19/1, 5, 8;
D6/582-584, 587-589, 591, 592, 598,
D6/599, 600, 602, 612, 613, 615, 617,
D6/618, 620, 621; D32/40, 55, 57;
D3/226, 232, 238, 243, 318, 321, 324
CPC ... B31F 1/00; B31F 1/07; B32B 3/266; B32B
5/024; B44F 1/00; B44F 1/02; B44F
1/08; B44F 1/10; B44F 5/00; B44F 7/00;
B44F 9/00; B44F 9/04; B44F 11/00;
B44F 11/02; B44F 11/04; D03D 1/00;
D04H 1/00; D04H 1/02; D10B 2503/04;
D21H 27/02
See application file for complete search history.

(56) **References Cited**

U.S. PATENT DOCUMENTS

- D3,196 S * 9/1868 Dolan D5/7
- D3,393 S * 3/1869 Button D5/7
- D66,723 S * 2/1925 Vandergaw et al. D5/56
- D88,277 S * 11/1932 Willheim D5/56
- D88,608 S * 12/1932 Willheim D5/56
- D88,938 S * 1/1933 Willheim D5/56
- D90,148 S * 6/1933 Bridier D5/56

- D90,150 S * 6/1933 Bridier D5/56
- D119,351 S * 3/1940 Tabin D5/56
- D178,569 S * 8/1956 Hutchinson D5/4
- D203,149 S * 12/1965 Toothaker D5/53
- D221,371 S * 8/1971 Hilliard D5/47
- D243,278 S * 2/1977 Appleman D5/56
- D266,470 S * 10/1982 Gammons D24/184
- D317,084 S * 5/1991 Cerny D5/47

(Continued)

OTHER PUBLICATIONS

Vince Camuto “VC Signature Legacy—Quilted or Fur Flap Shoulder Bag” (online), retrieved from Internet Feb. 28, 2017. URL:<http://www.vincecamuto.com/vc-signature-legacy--quilted-or-fur-flap-shoulder-bag1/889816010379.html> (2 pages).*

Primary Examiner — Karen S Acker
Assistant Examiner — Wendy Arminio
(74) *Attorney, Agent, or Firm* — Ferdinand IP, LLC

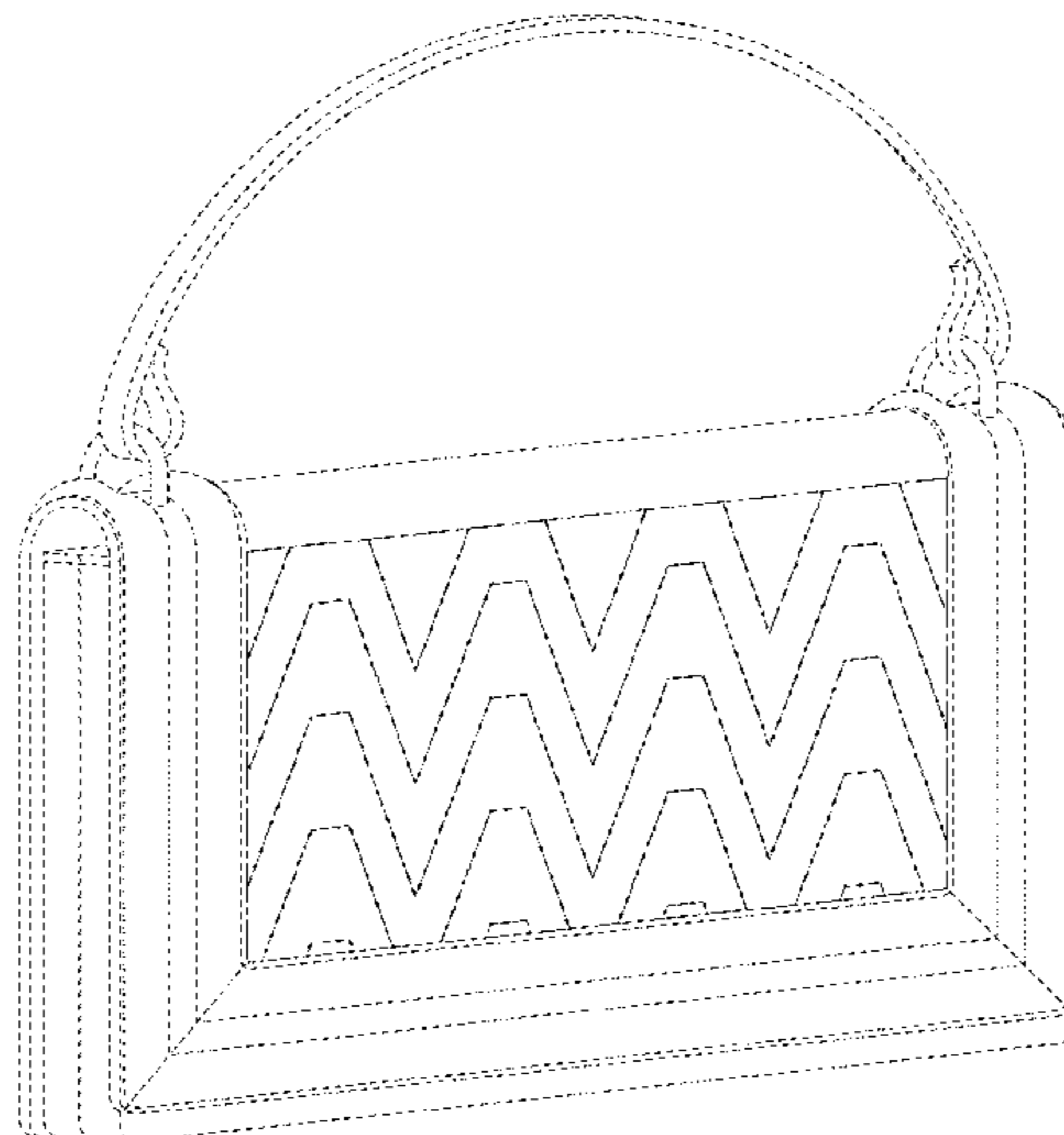
(57) **CLAIM**

The ornamental design for a bag with fabric pattern, as shown and described.

DESCRIPTION

FIG. 1 is a front perspective view of a bag with fabric pattern showing my new design;
FIG. 2 is a front side elevational view thereof;
FIG. 3 is a back side elevational view thereof;
FIG. 4 is a left side elevational view thereof;
FIG. 5 is a right side elevational view thereof;
FIG. 6 is a top plan view thereof; and,
FIG. 7 is a bottom plan view thereof.
The dashed lines in the drawings are included for purposes of illustrating the portions of the bag with fabric pattern that form no part of the claimed design.
The solid lines with dashes in the drawings represent stitching of the fabric pattern and are part of the claimed design. The long-short dash lines indicate the boundaries of the claimed design and are not a feature of the design.

1 Claim, 5 Drawing Sheets



(56)

References Cited

U.S. PATENT DOCUMENTS

D447,300	S	*	8/2001	Denney	D32/40
D455,563	S	*	4/2002	Giombini	D5/30
D488,925	S	*	4/2004	McMahan	D3/232
D496,779	S	*	10/2004	Belley	A43B 13/223 D2/953
D516,316	S	*	3/2006	Perella	D3/277
D630,430	S	*	1/2011	Gonzalez	D3/232
D647,705	S	*	11/2011	Missoni	D5/56
D661,486	S	*	6/2012	VanderVeer	D3/233
D763,570	S	*	8/2016	Potts	D3/232
D773,179	S	*	12/2016	Keene	D3/234
D778,604	S	*	2/2017	Heyman	D3/243

* cited by examiner

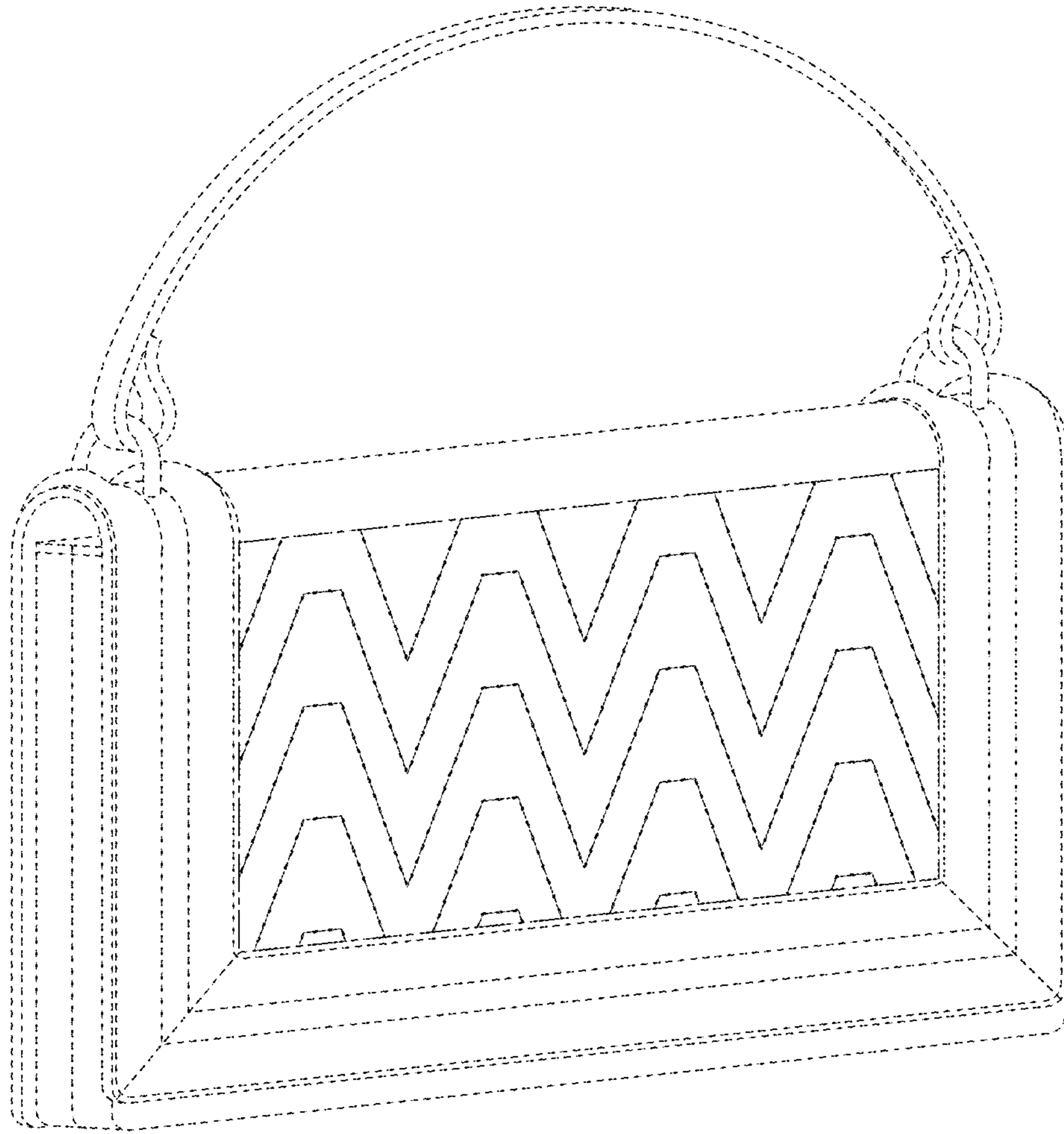


FIG. 1

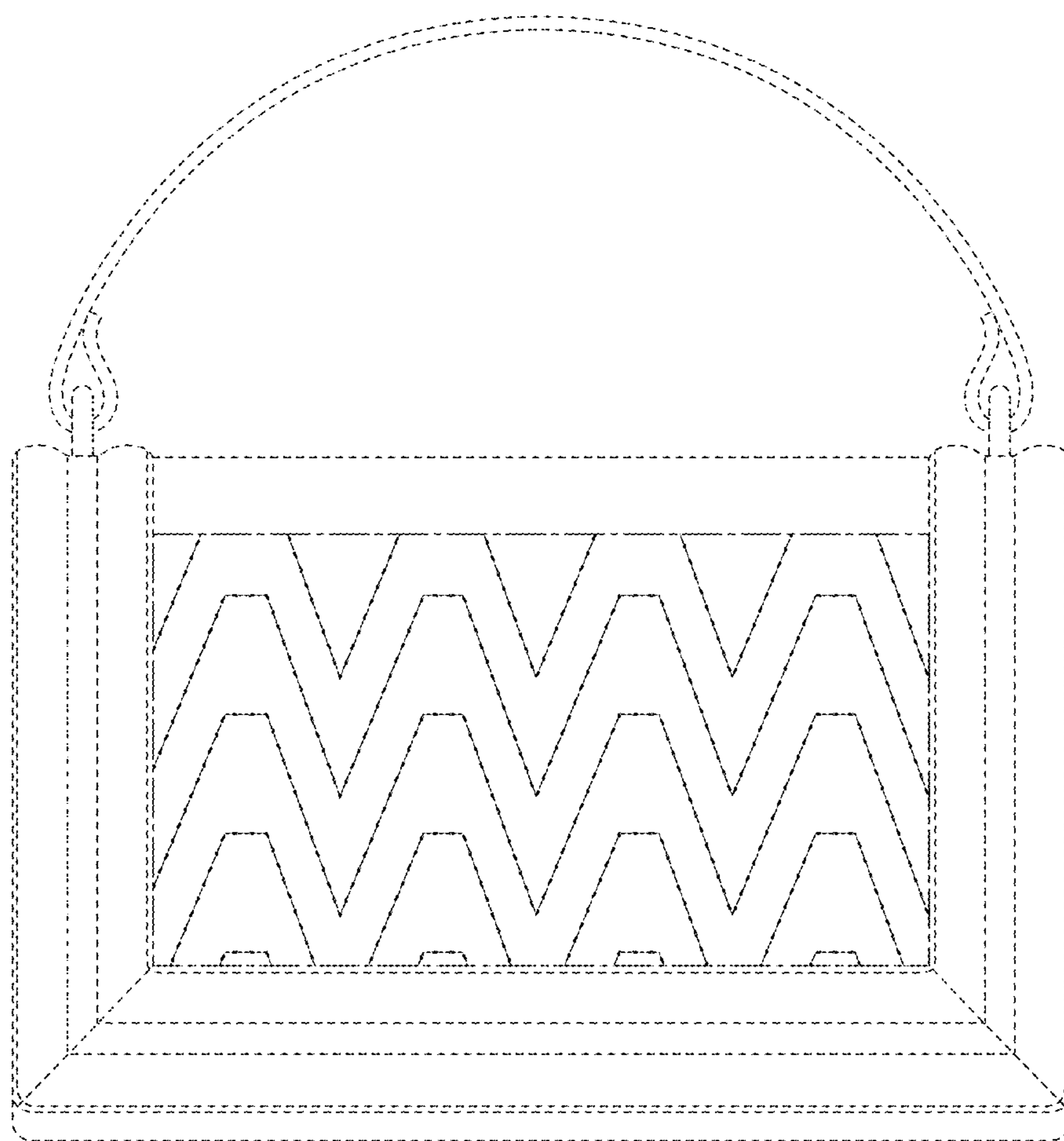


FIG. 2

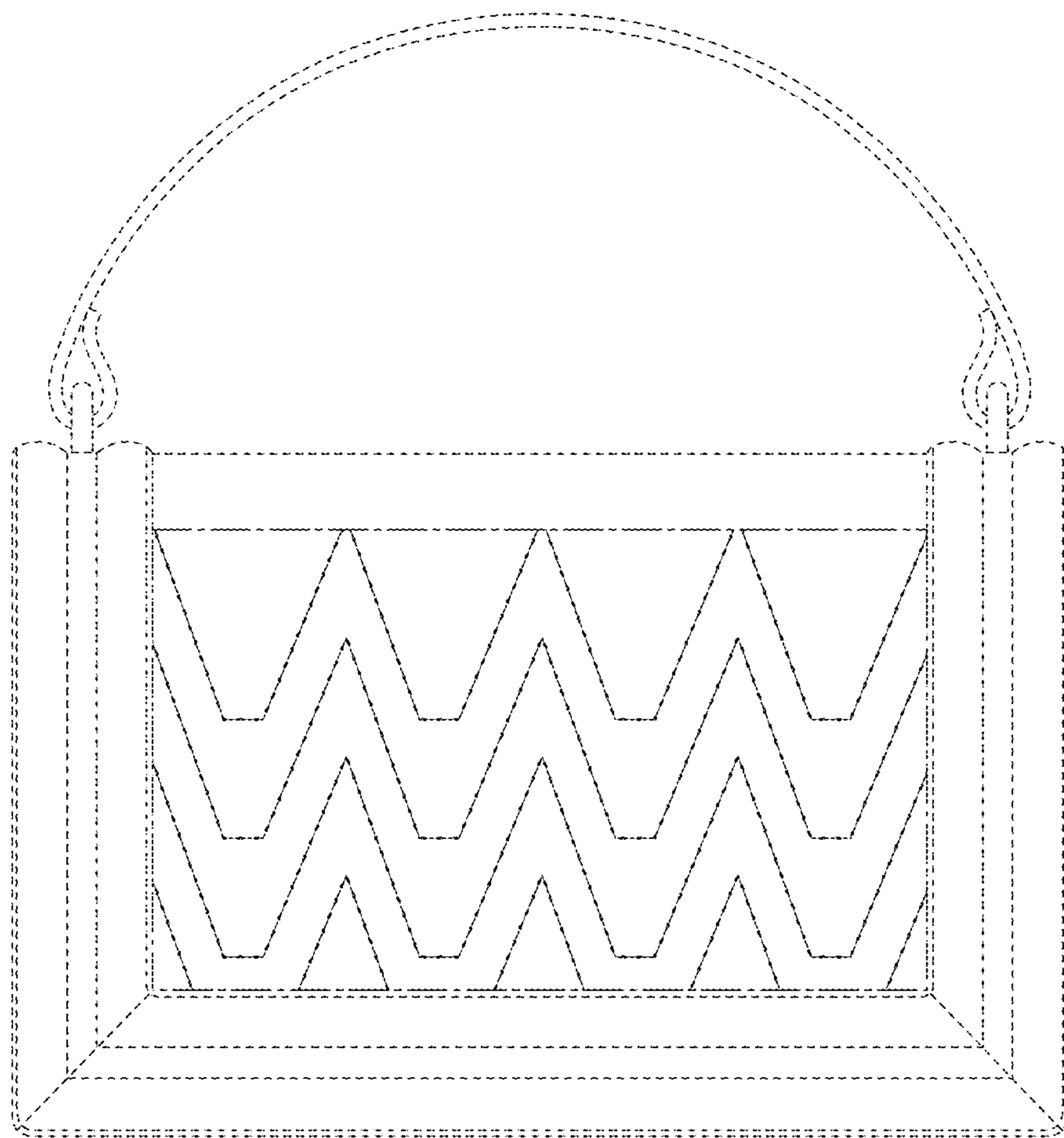


FIG. 3

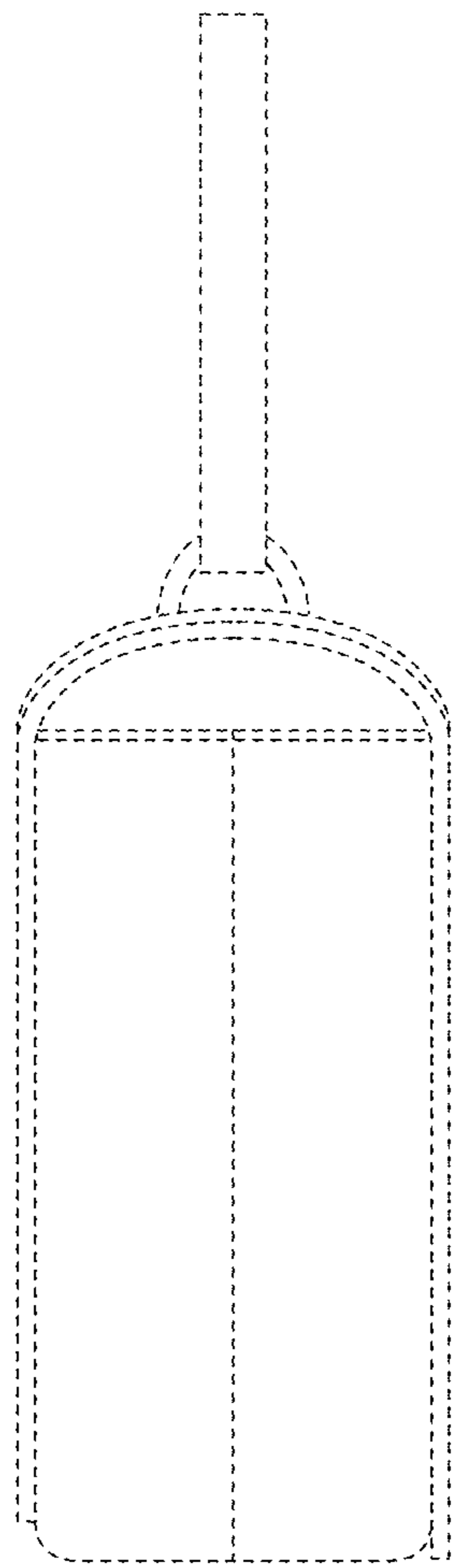


FIG. 4

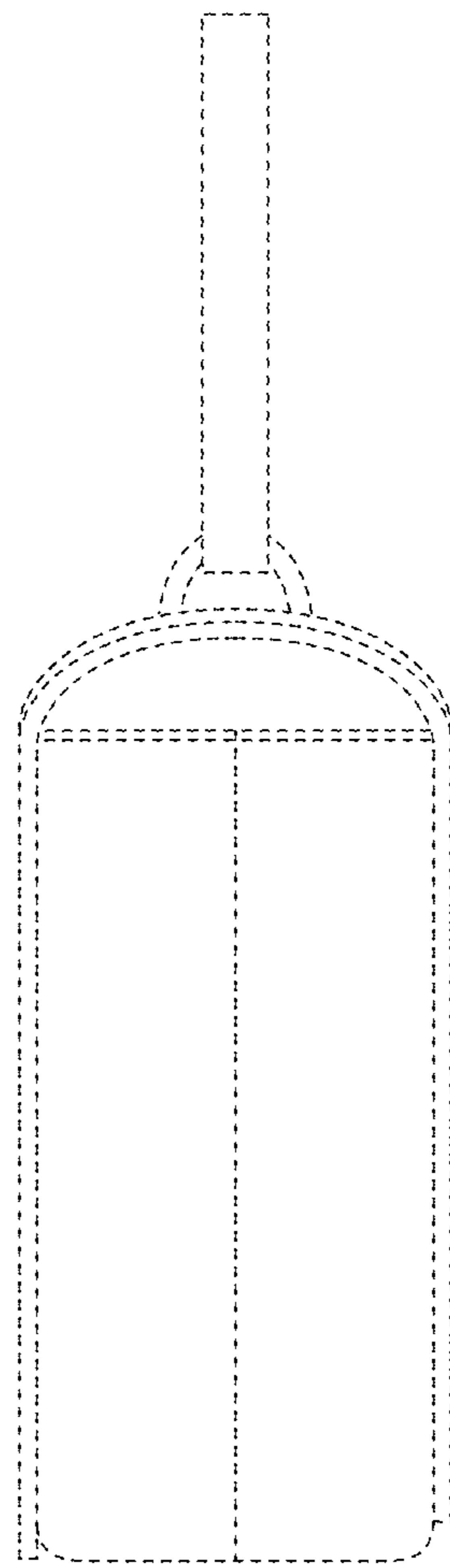


FIG. 5

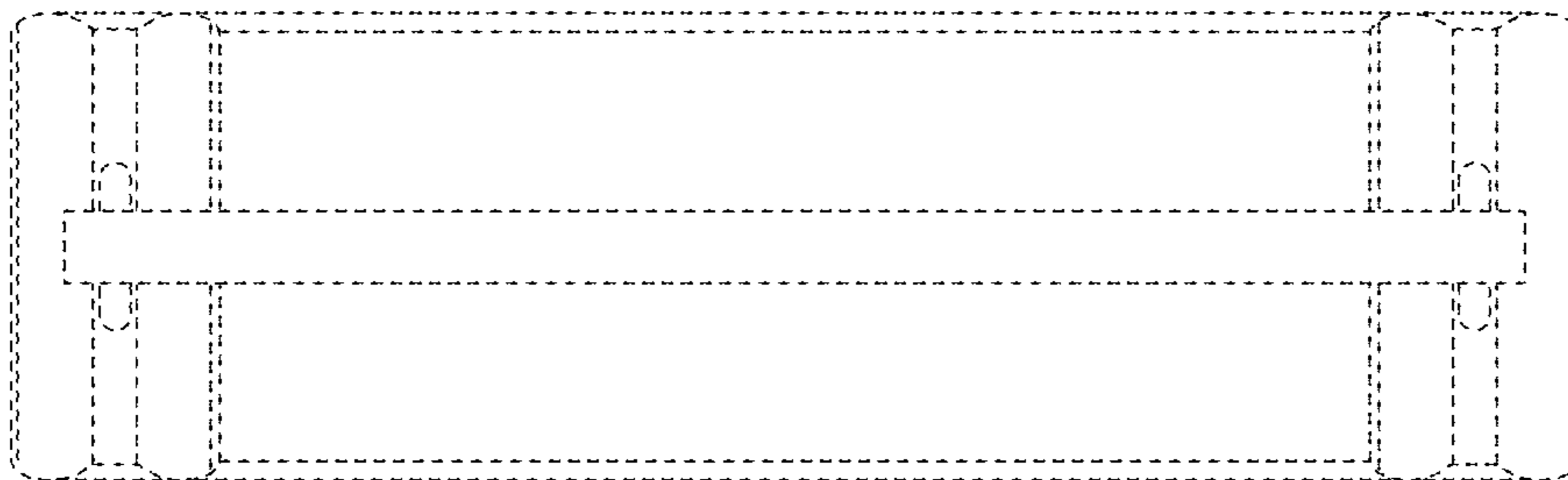


FIG. 6

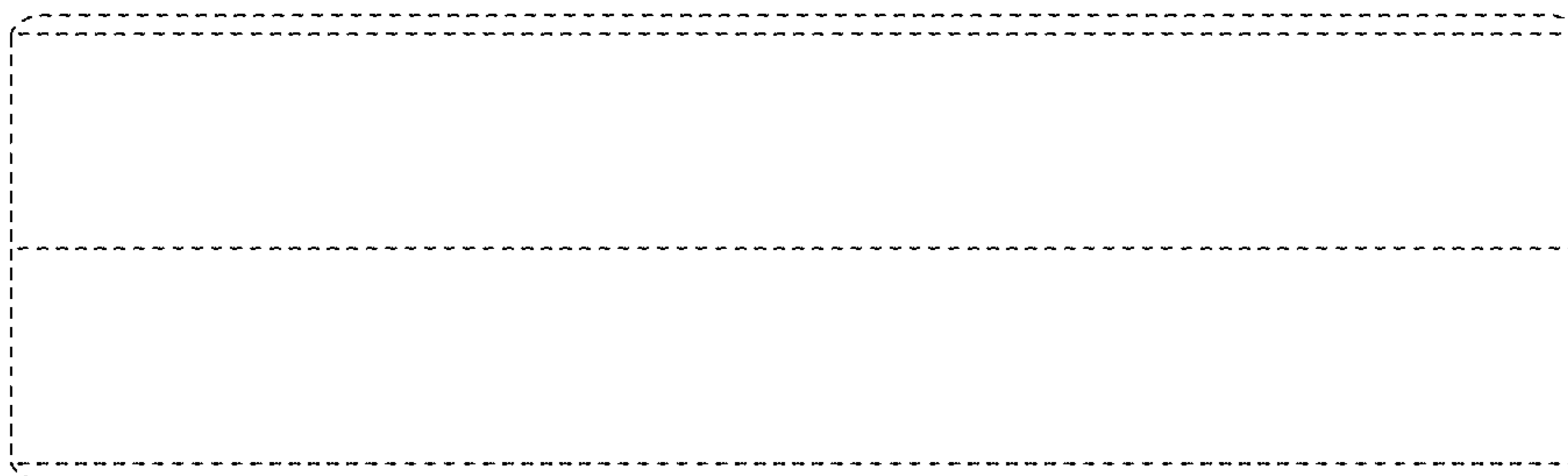


FIG. 7