



US00D800451S

(12) **United States Design Patent** (10) **Patent No.:** **US D800,451 S**
Collins et al. (45) **Date of Patent:** **** Oct. 24, 2017**

(54) **SPORTS BAG**
(71) Applicant: **Grit Inc.**, Tottenham (CA)
(72) Inventors: **Gregory James Collins**, Mono (CA);
Adam J. Mollica, Tottenham (CA);
Erin Dawn Dobo, Barrie (CA)

D548,408 S * 8/2007 Martz D3/273
D575,059 S * 8/2008 Cappiello D3/283
D575,461 S * 8/2008 Cannon D3/273
D637,809 S * 5/2011 Meldeau D3/232
D662,264 S * 6/2012 Chau D30/109
D685,952 S * 7/2013 Dixon D30/109
D724,792 S * 3/2015 Renforth D30/109
9,375,062 B2 * 6/2016 Collins A45C 3/001

(73) Assignee: **Grit Inc.**, Tottenham (CA)

(**) Term: **15 Years**

(21) Appl. No.: **29/555,453**

(22) Filed: **Feb. 22, 2016**

(30) **Foreign Application Priority Data**

Feb. 5, 2016 (CA) 166739

(51) **LOC (10) Cl.** **03-01**

(52) **U.S. Cl.**
USPC **D3/254**; D3/321; D3/904

(58) **Field of Classification Search**
USPC D3/201, 203.6, 203.7, 205, 206, 232,
D3/242, 273, 276, 272, 285, 286, 289,
D3/290, 292, 294, 301, 303, 244, 245,
D3/246; D30/108, 109
CPC . B65F 1/00; A45C 7/00; A45C 7/0059; A45C
7/0077; A45C 1/00; A45C 1/02; A45C
1/10; A45C 3/00; A45C 3/001; A45C
13/00; A45C 2003/002; A45C 2003/007;
A45C 5/14

See application file for complete search history.

(56) **References Cited**

U.S. PATENT DOCUMENTS

D326,772 S * 6/1992 Kennedy D3/233
D398,082 S * 9/1998 Martz D3/273
D444,271 S * 6/2001 Farrugia D3/273
D481,539 S * 11/2003 Martz D3/279
D509,959 S * 9/2005 Nykoluk D3/289

OTHER PUBLICATIONS

Hockeymonkey.com. "Grit Airbox 36in. Equipment Bag." First reviewed Oct. 1, 2016. Retrieved Dec. 6, 2016. (<http://www.hockeymonkey.com/grit-hockey-equipment-bag-airbox-36in.html#1>).*

(Continued)

Primary Examiner — Jennifer Rivard

Assistant Examiner — Jerry Hsu

(74) *Attorney, Agent, or Firm* — Frost Brown Todd LLC

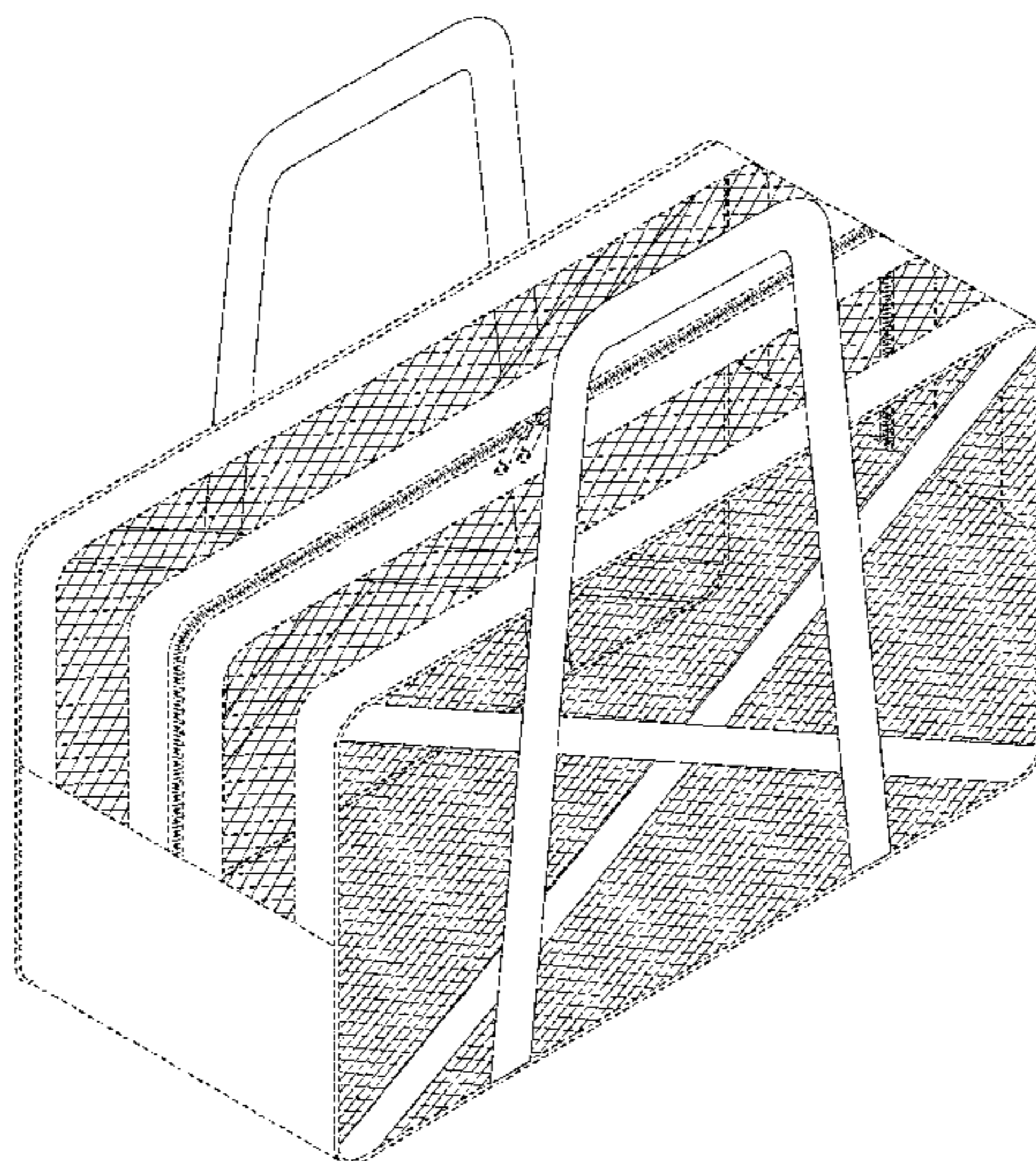
(57) **CLAIM**

The ornamental design for a sports bag, as shown and described.

DESCRIPTION

FIG. 1 is a perspective view of the sports bag in accordance with the present design;
FIG. 2 is a right side view of the sports bag of FIG. 1;
FIG. 3 is a left side view of the sports bag of FIG. 1;
FIG. 4 is a right end view of the sports bag of FIG. 1;
FIG. 5 is a left end view of the sports bag of FIG. 1;
FIG. 6 is a top side view of the sports bag of FIG. 1; and,
FIG. 7 is a bottom side view of the sports bag of FIG. 1.
The broken lines illustrate portions of the sports bag that form no part of the claimed design.
The design consists of the visual features of the sports bag as shown in solid lines and cross-lines (representing mesh) in the drawings.

1 Claim, 7 Drawing Sheets



(56)

References Cited

OTHER PUBLICATIONS

Amazon.com. "Speedo Ventilator Duffle Bag." First reviewed Jul. 4, 2014. Retrieved Nov. 30, 2016. (https://www.amazon.com/Speedo-Ventilator-Duffle-Black-40-Liter/dp/B00EL3MSAM/ref=cm_cr_arp_d_product_top?ie=UTF8).*

Amazon.com. "Square Bath Accessories Tote Sport Swimming Mesh Shower Bag-Blue." Retrieved Nov. 30, 2016. (https://www.amazon.com/SquareAccessoriesSwimmingShowerBagBlue/dp/B01ALRLXFM/ref=sr_1_135?ie=UTF8&qid=1480539802&sr=8135&keywords=square+tote+cooler).*

Amazon.com. "MG Collection Designer Inspired Black Soft Mesh Sided Dog and Cat Travel Pet Carrier Tote Hand Bag." First reviewed Jun. 7, 2015. Retrieved Dec. 5, 2016. (https://www.amazon.com/MGCollectionDesignerInspiredCarrier/dp/B00SI1C8B2/ref=sr_1_41?ie=UTF8&qid=1480982140&sr=841&keywords=pet+mesh+carrier).*

* cited by examiner

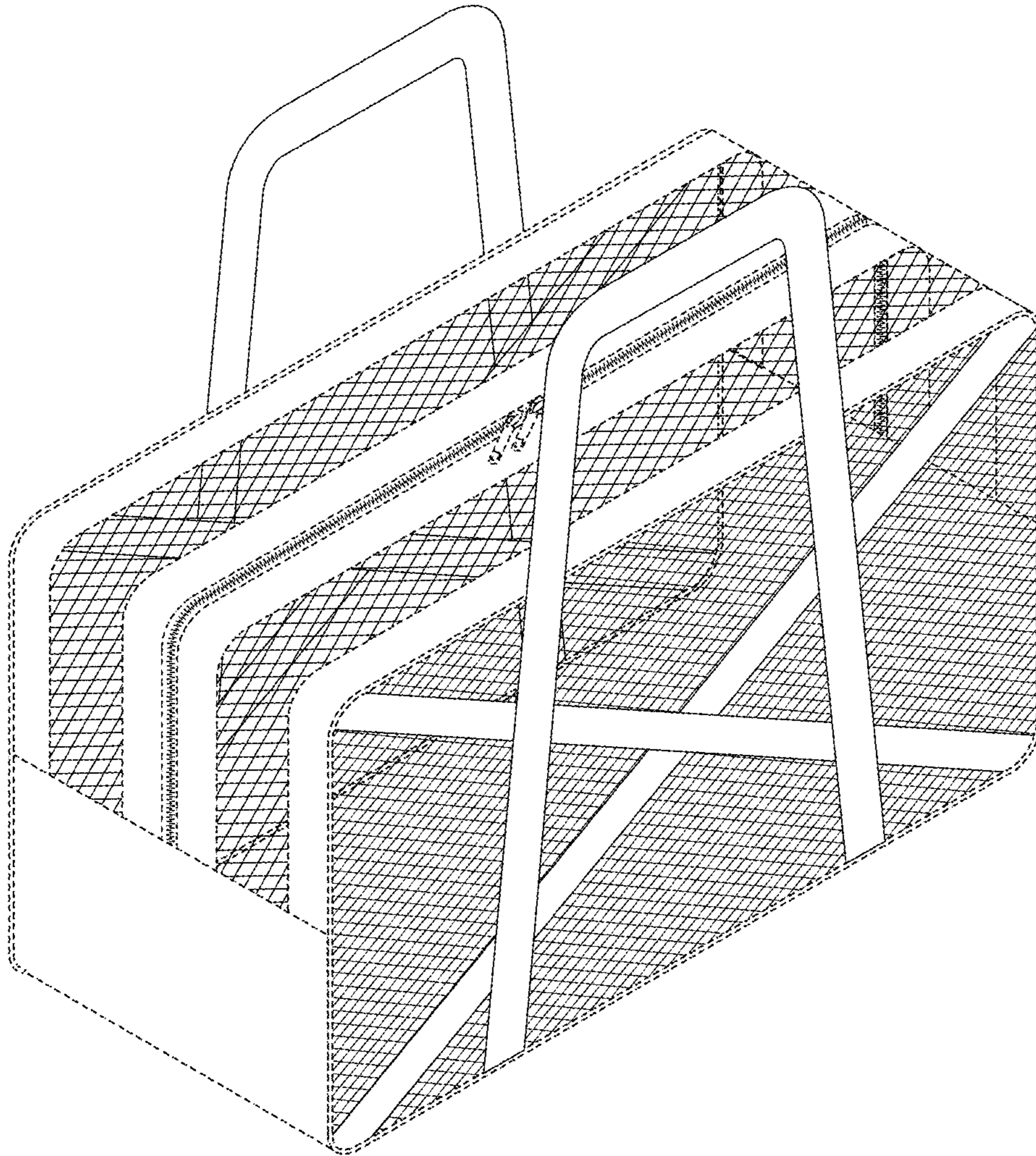


Fig.1

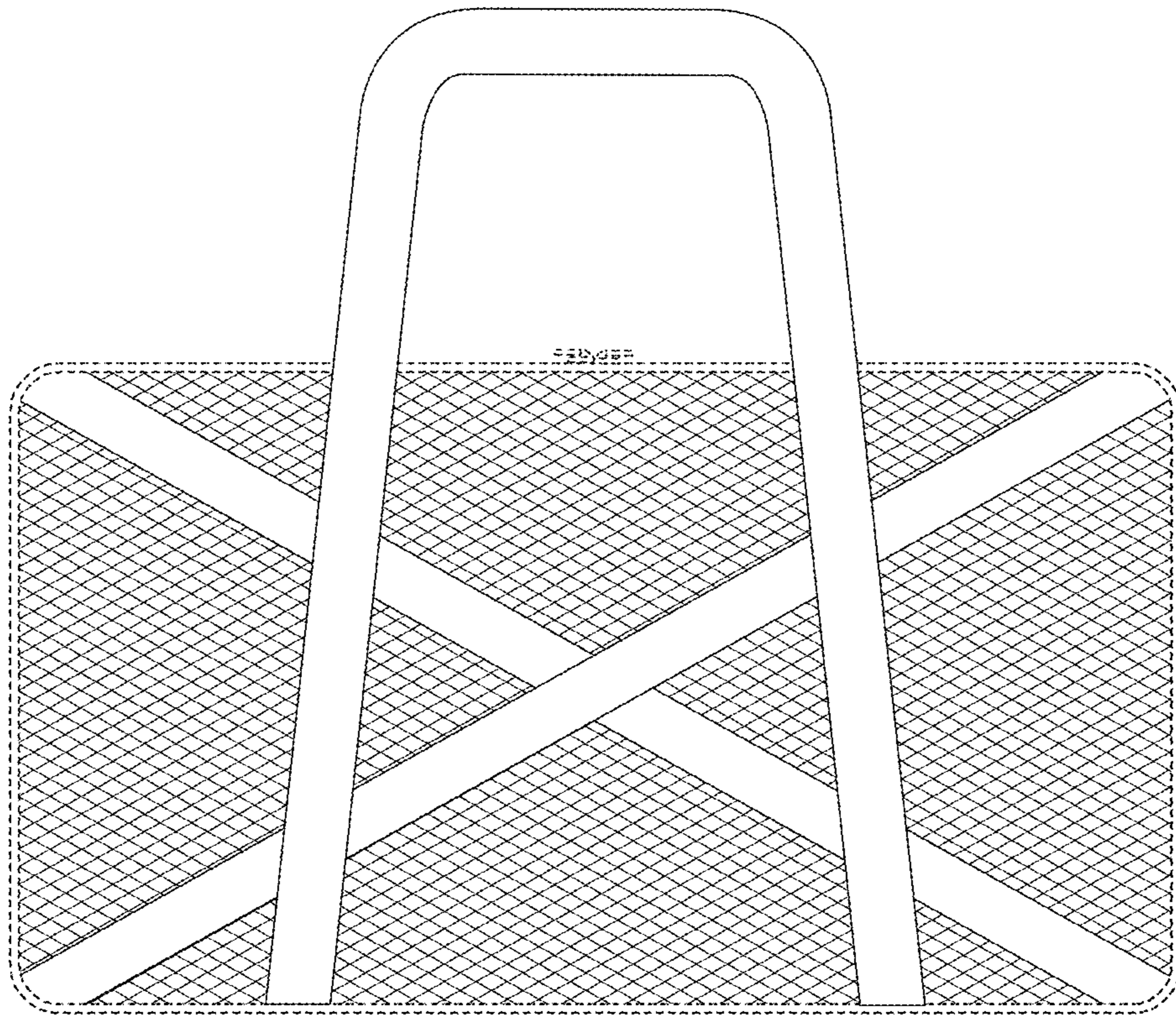


Fig. 2

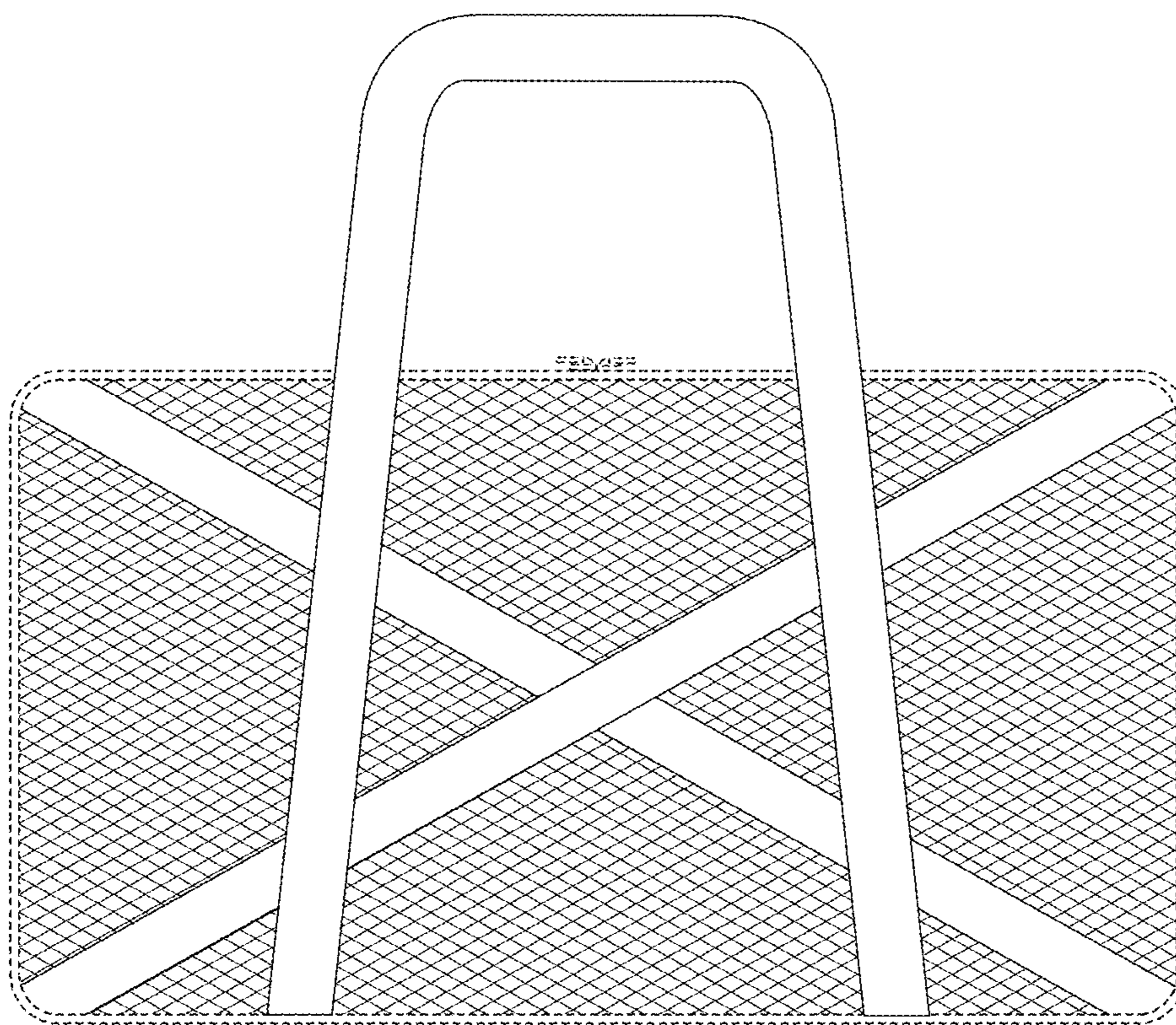


Fig. 3

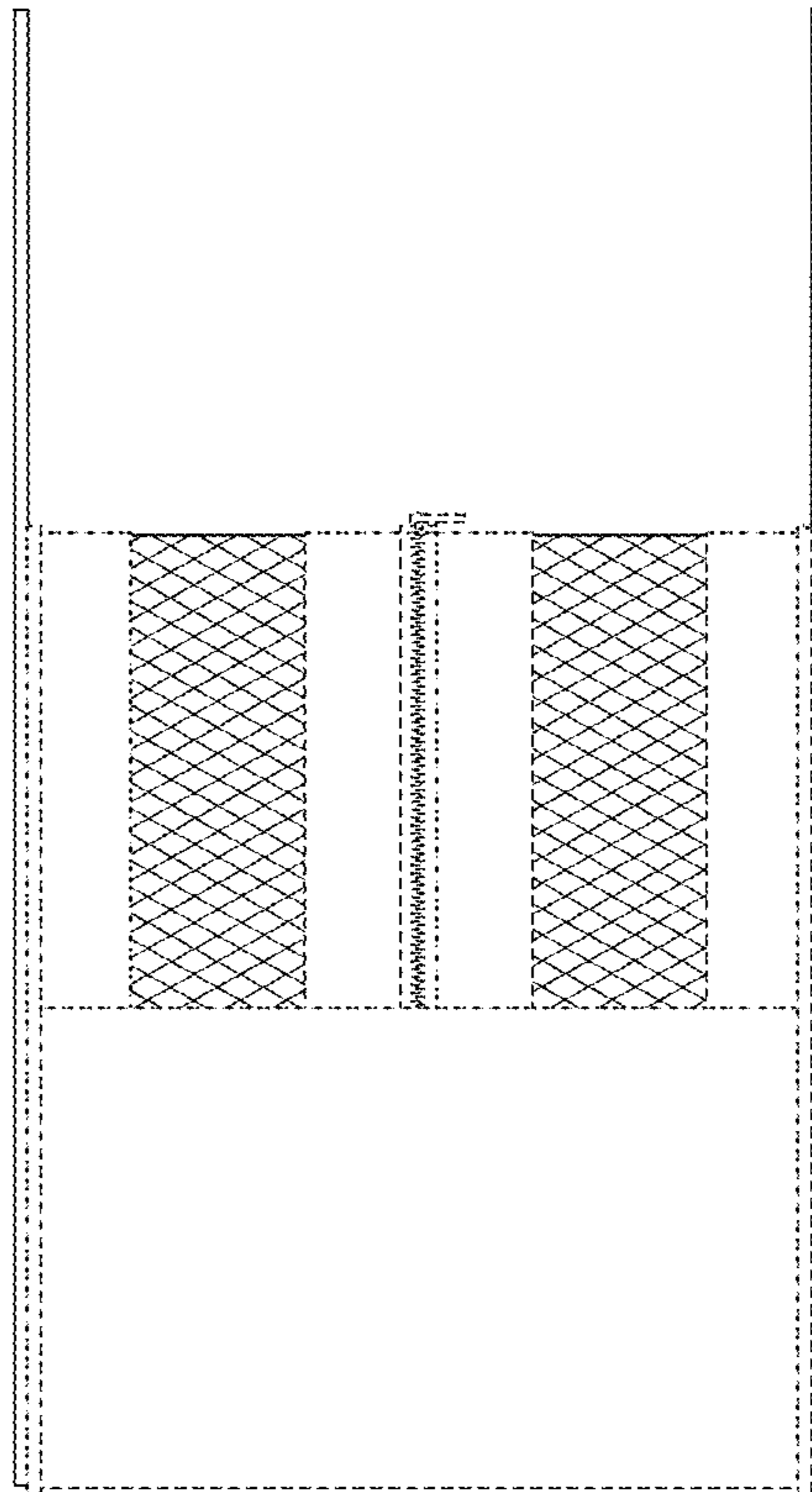


Fig. 4

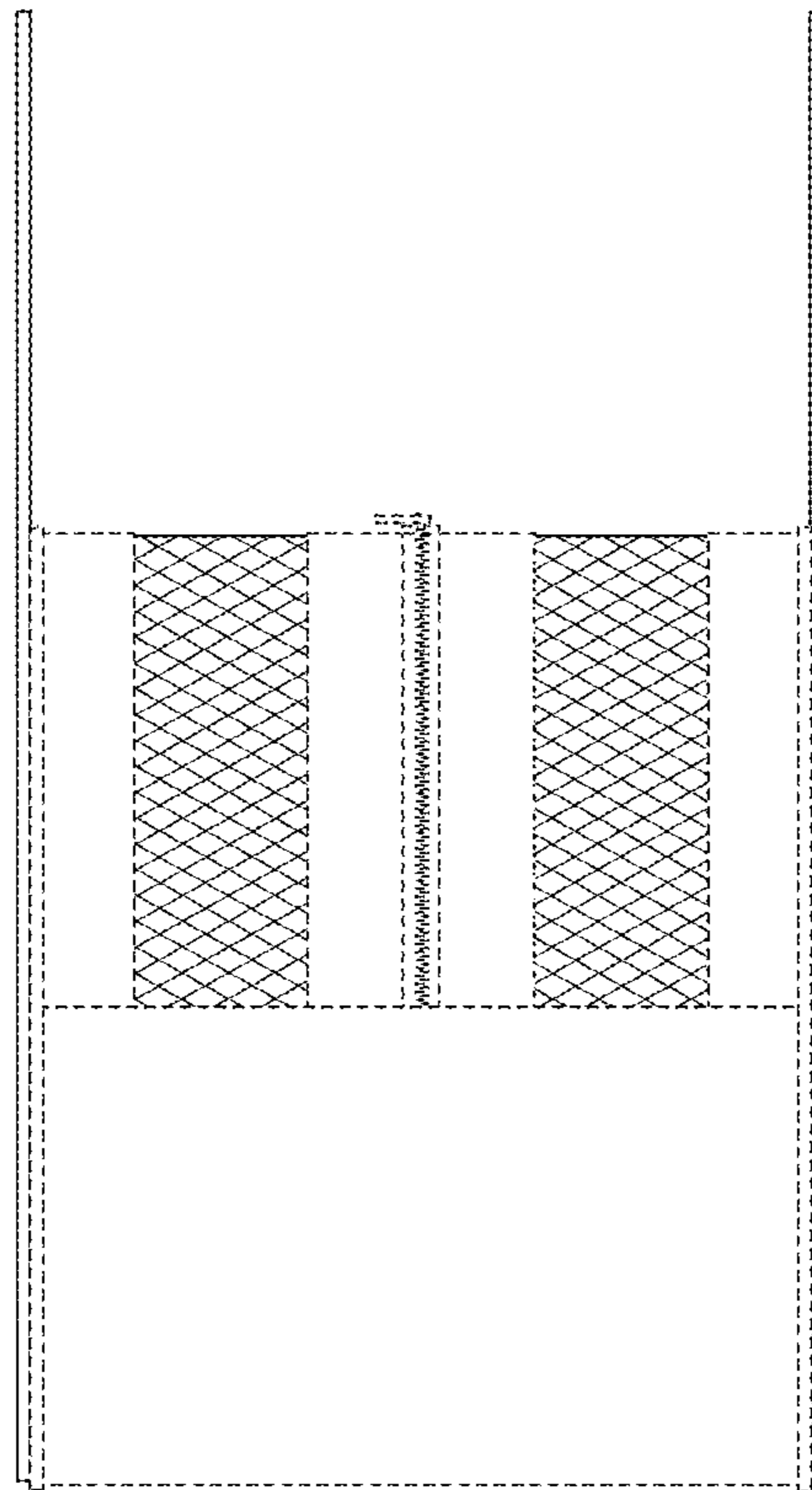


Fig. 5

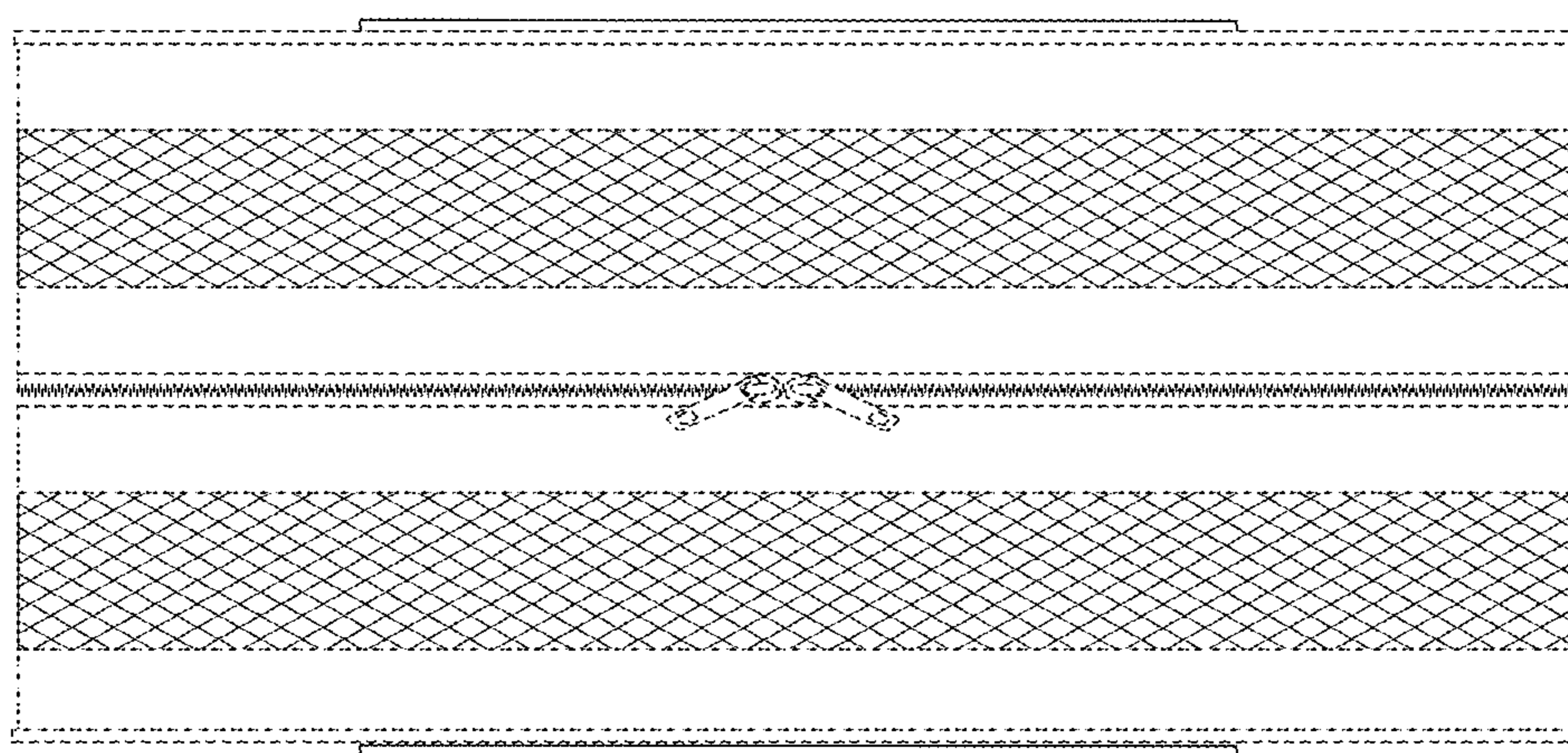


Fig. 6

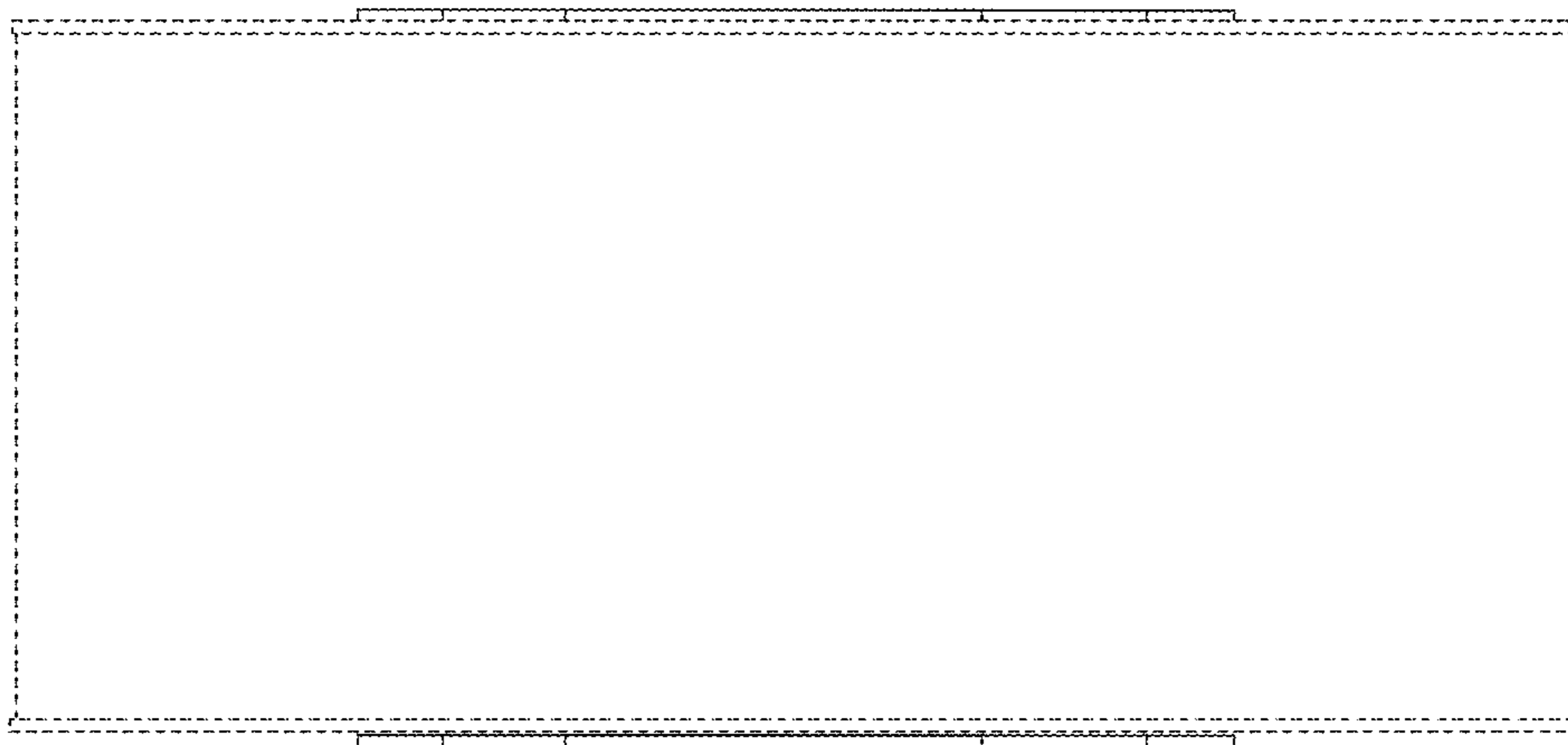


Fig. 7