



US00D800450S

(12) **United States Design Patent** (10) **Patent No.:** **US D800,450 S**
Murri (45) **Date of Patent:** **** Oct. 24, 2017**

(54) **HANDBAG**

D722,228 S * 2/2015 Zwetzig D3/232
D742,634 S * 11/2015 Zwetzig D3/232
D758,719 S * 6/2016 Harper D3/232

(71) Applicant: **Givenchy (Société Anonyme)**, Paris (FR)

* cited by examiner

(72) Inventor: **Francesca Murri**, Milan (IT)

Primary Examiner — Holly H Baynham

(73) Assignee: **Givenchy (Société Anonyme)**, Paris (FR)

(74) *Attorney, Agent, or Firm* — Finnegan, Henderson, Farabow, Garrett & Dunner, LLP

(**) Term: **15 Years**

(57) **CLAIM**

(21) Appl. No.: **29/572,085**

The ornamental design for a handbag, as shown and described.

(22) Filed: **Jul. 25, 2016**

(30) **Foreign Application Priority Data**

DESCRIPTION

Jan. 28, 2016 (EM) 002962910-0001

(51) **LOC (10) Cl.** **03-01**

(52) **U.S. Cl.**
USPC **D3/246**

(58) **Field of Classification Search**
USPC D3/232–233, 240–243, 245–246
CPC A45C 1/024; A45C 3/06
See application file for complete search history.

FIG. 1 is a top, rear perspective view of a handbag showing my new design;

FIG. 2 is a front elevation view thereof;

FIG. 3 is left side elevation view thereof;

FIG. 4 is a right side elevation view thereof;

FIG. 5 is a rear elevation view thereof;

FIG. 6 is a bottom plan view thereof; and,

FIG. 7 is a top perspective view of the handbag in an open configuration, the interior of the handbag forming no part of the claimed design.

The portions of the handbag shown in lighter contrast in FIG. 7 and surrounded by dash-dash broken lines do not form part of the claimed design.

(56) **References Cited**

U.S. PATENT DOCUMENTS

D520,747 S * 5/2006 McClain D3/290
D651,794 S * 1/2012 Hargens D3/232

1 Claim, 7 Drawing Sheets

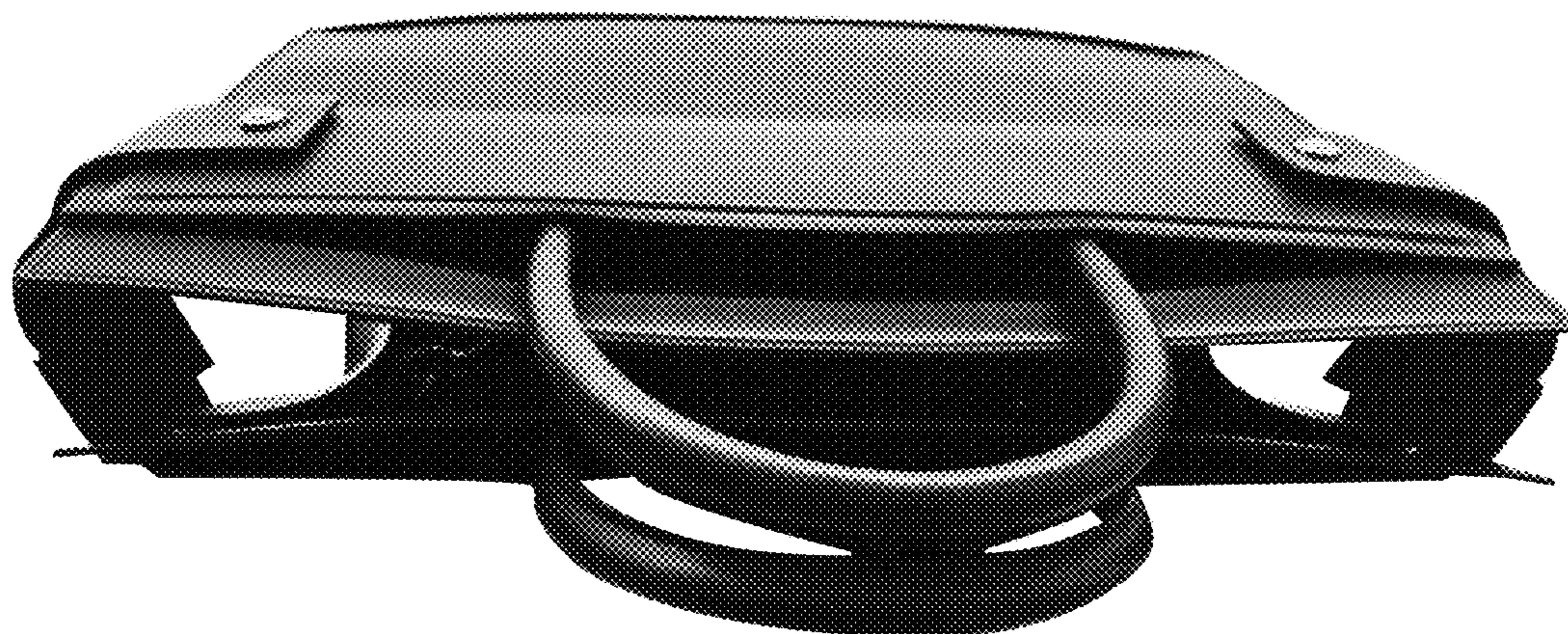




FIG. 1

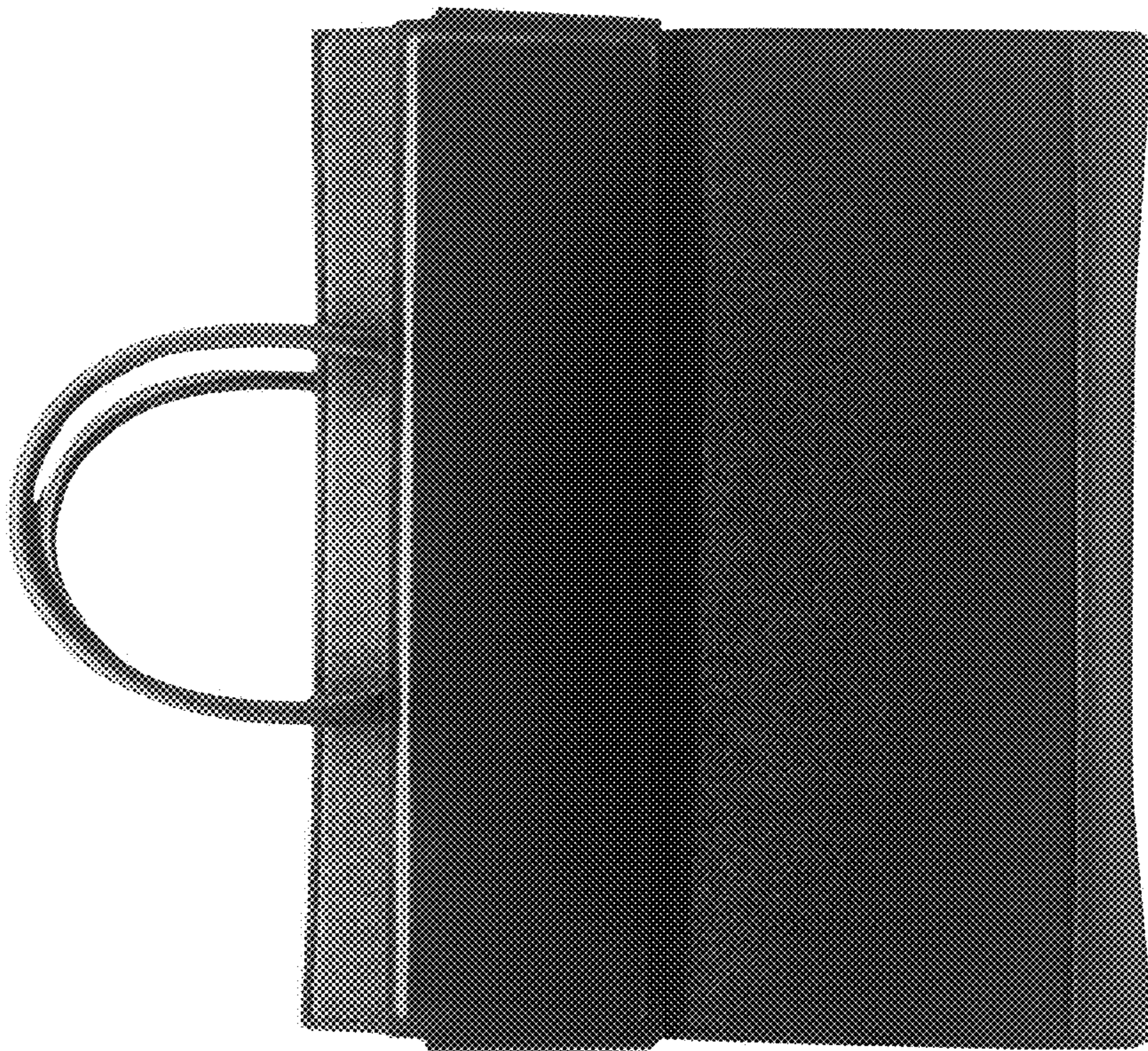


FIG. 2

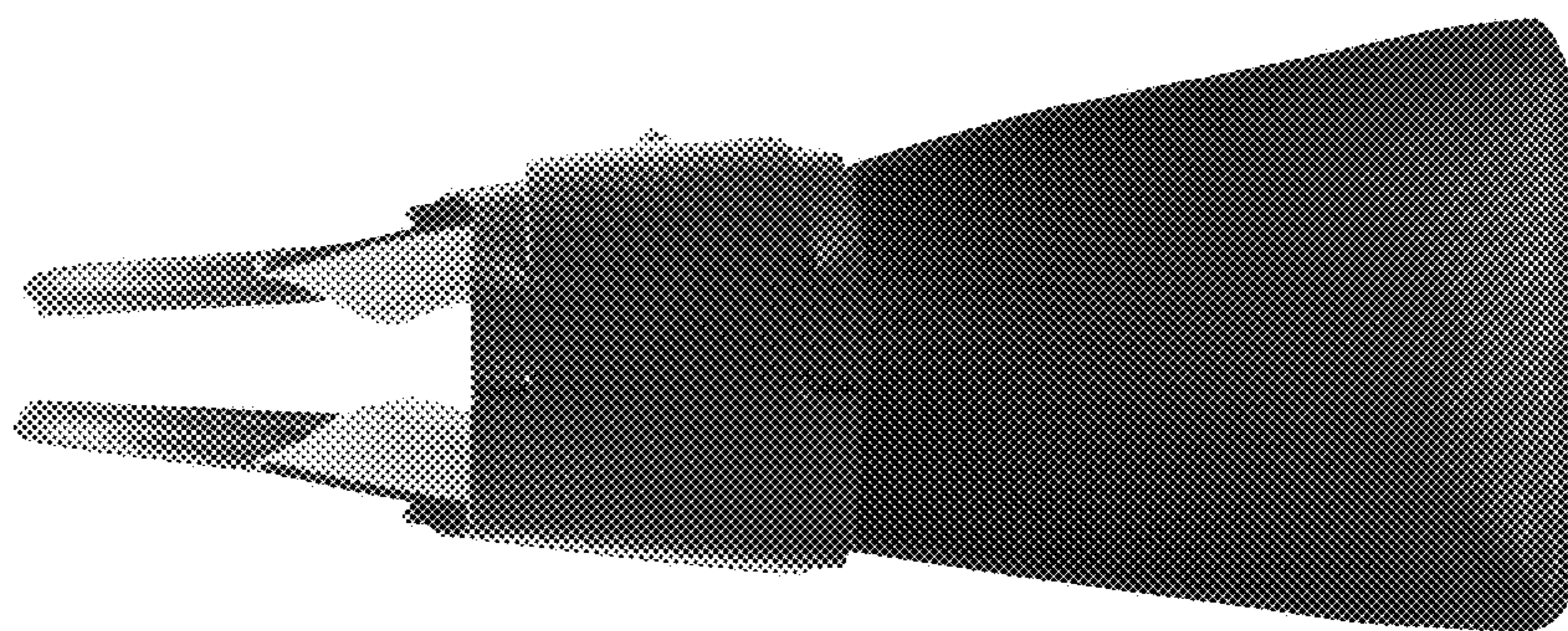


FIG. 3

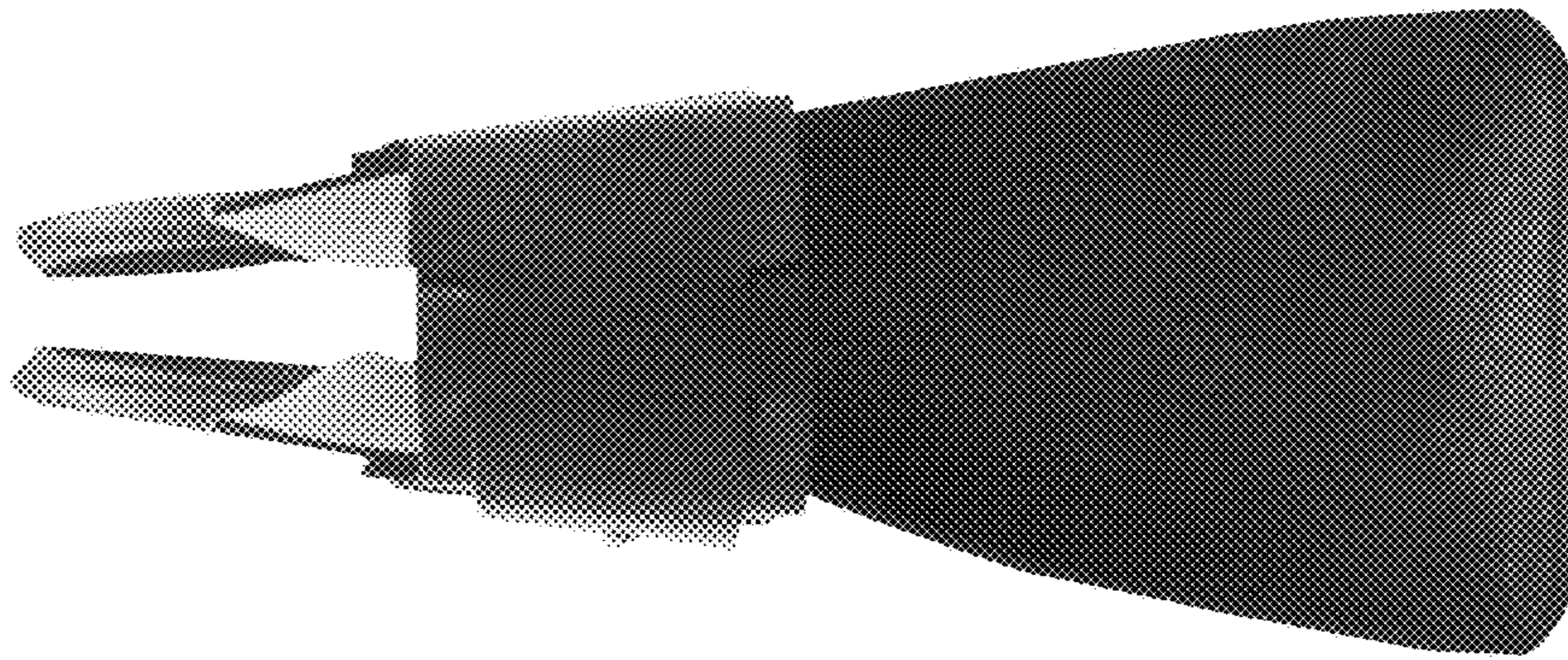


FIG. 4

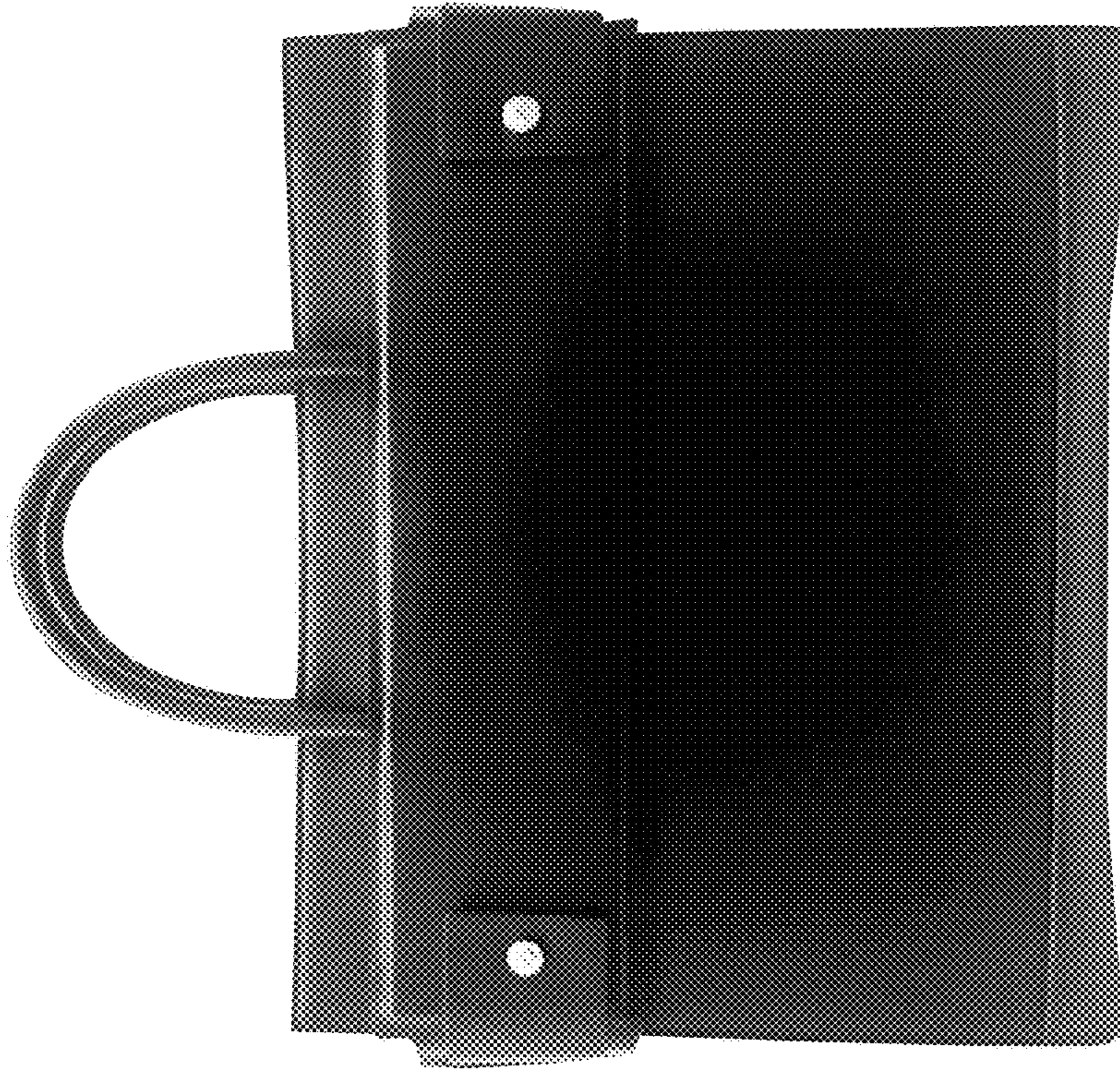


FIG. 5

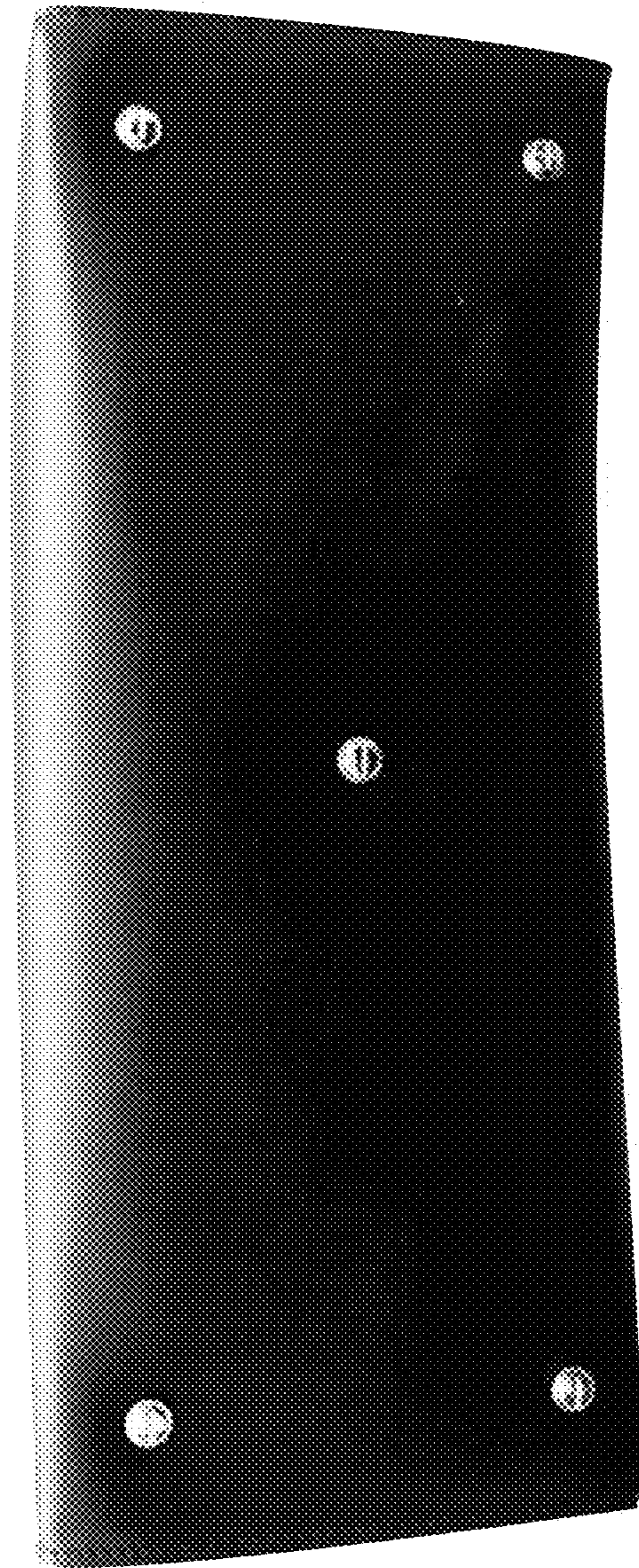


FIG. 6

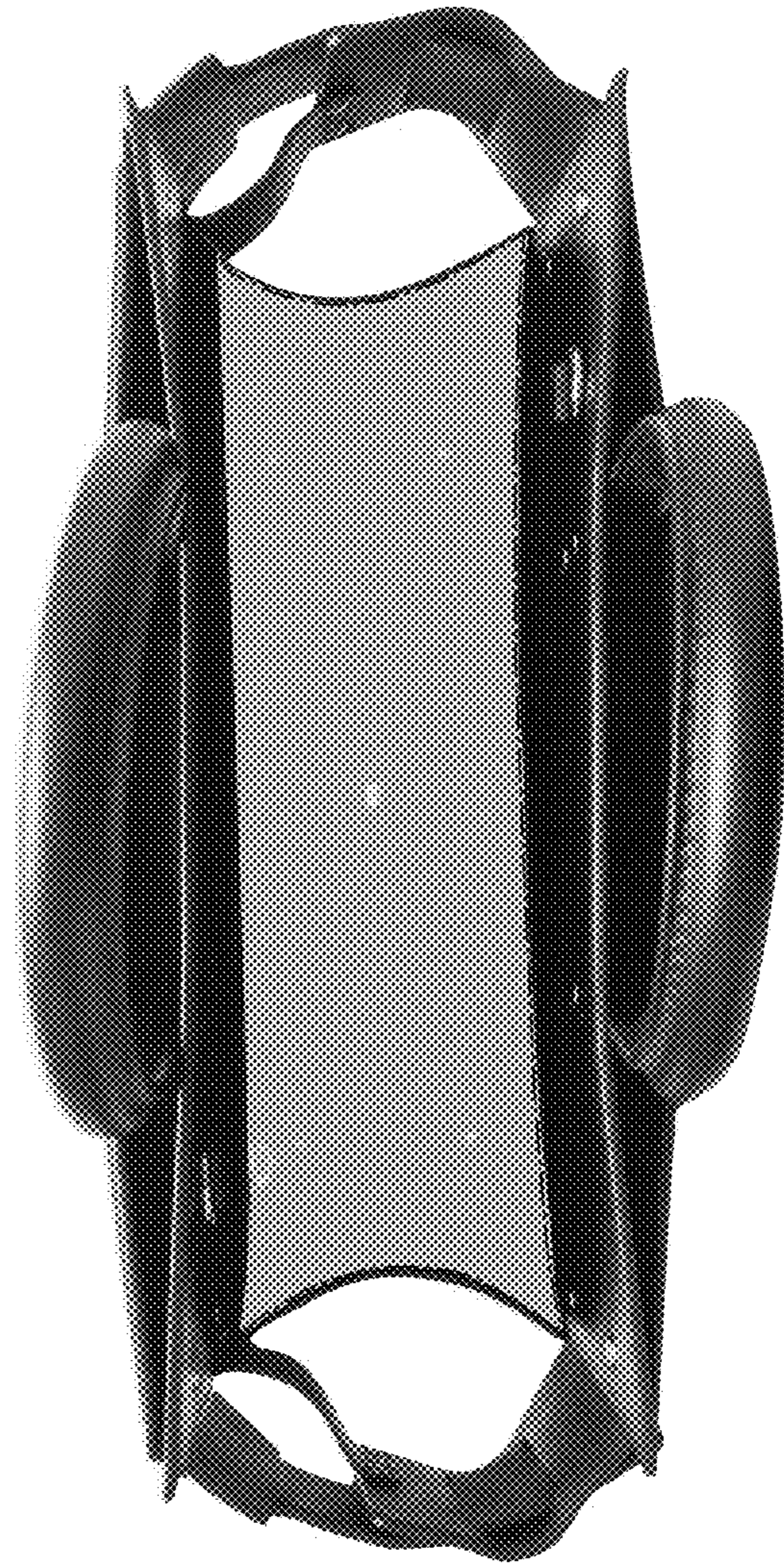


FIG. 7