



US00D800449S

(12) **United States Design Patent**  
**Nair**

(10) **Patent No.:** **US D800,449 S**

(45) **Date of Patent:** **\*\* Oct. 24, 2017**

(54) **HANDBAG**

D761,015 S \* 7/2016 Nair ..... D3/243

(71) Applicant: **MOYNAT PARIS SAS**, Paris (FR)

\* cited by examiner

(72) Inventor: **Ramesh Nair**, Paris (FR)

*Primary Examiner* — Holly Baynham

(73) Assignee: **MOYNAT PARIS SAS**, Paris (FR)

(74) *Attorney, Agent, or Firm* — Avery N. Goldstein;  
Blue Filament Law PLLC

(\*\*) Term: **15 Years**

(21) Appl. No.: **29/565,036**

(57) **CLAIM**

(22) Filed: **May 17, 2016**

The ornamental design for a handbag, as shown and described.

(30) **Foreign Application Priority Data**

Mar. 16, 2016 (EM) ..... 003031442-0001

(51) **LOC (10) Cl.** ..... **03-01**

(52) **U.S. Cl.**  
USPC ..... **D3/243**

(58) **Field of Classification Search**  
USPC ..... D3/232–233, 240–243, 245–246  
CPC ..... A45C 1/024; A45C 3/06  
See application file for complete search history.

**DESCRIPTION**

FIG. 1 is a first perspective view of a handbag showing my new design;  
FIG. 2 is a front view of view thereof, where the strap is not shown for visual clarity;  
FIG. 3 is a top view thereof;  
FIG. 4 is left side view thereof;  
FIG. 5 is right side view thereof;  
FIG. 6 is a bottom view thereof; and,  
FIG. 7 is a back view thereof.

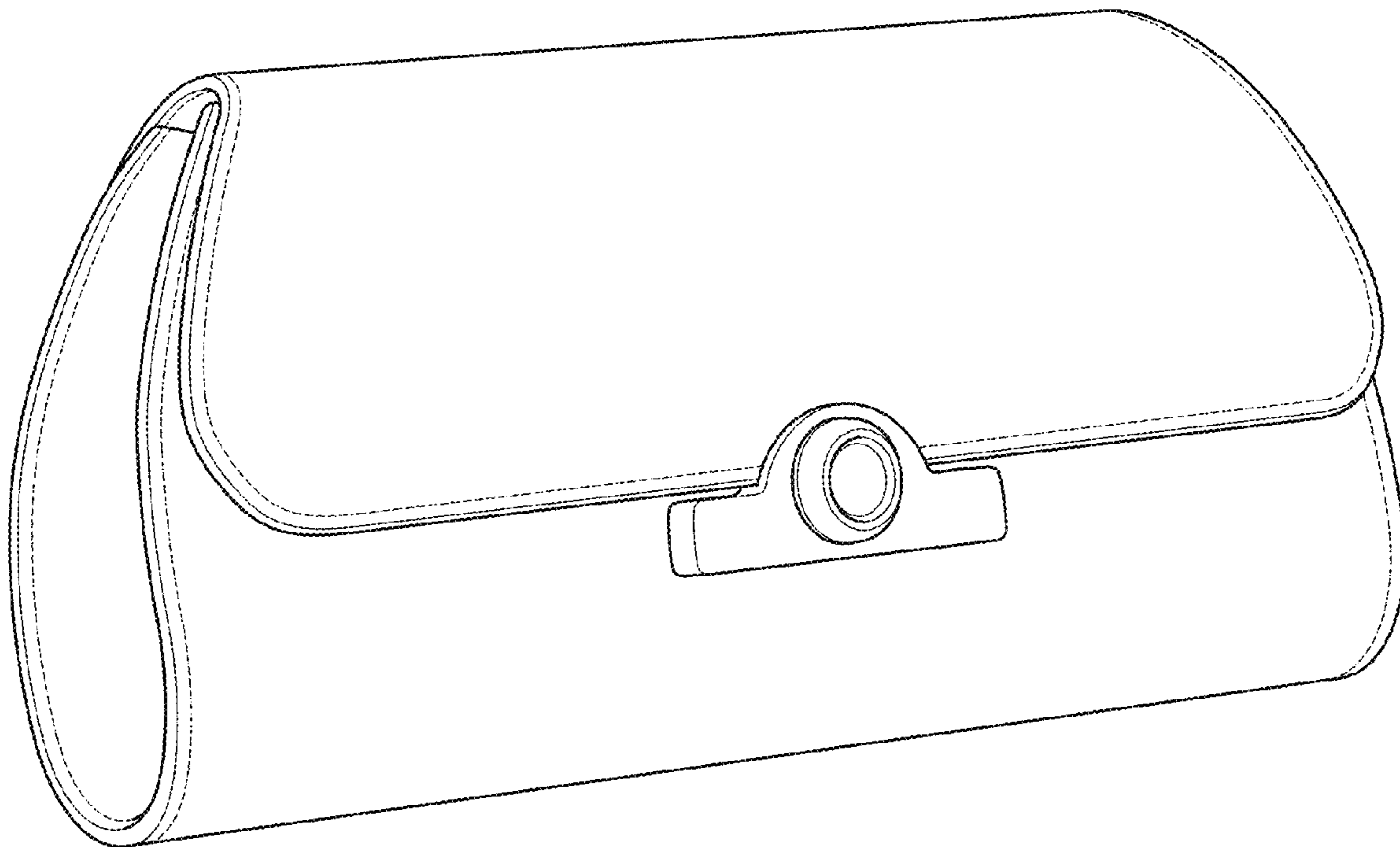
(56) **References Cited**

**U.S. PATENT DOCUMENTS**

D689,691 S \* 9/2013 Kuster ..... D3/243  
D723,270 S \* 3/2015 Basha ..... D3/243  
D726,410 S \* 4/2015 Fusi ..... D3/243

Dashed lines associated with the edges of the handbag denote stitching and are part of the claimed design.

**1 Claim, 3 Drawing Sheets**



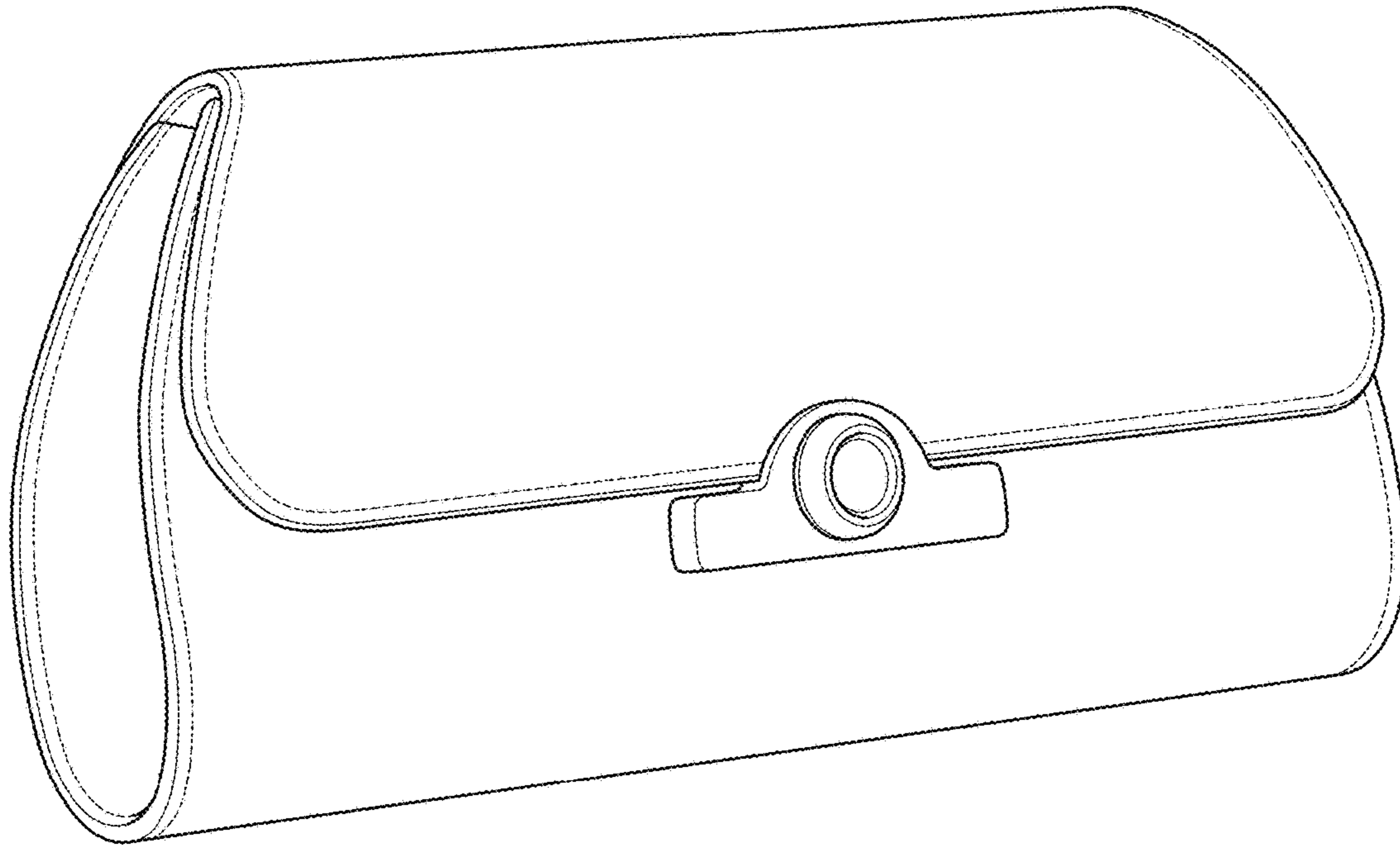


FIG. 1

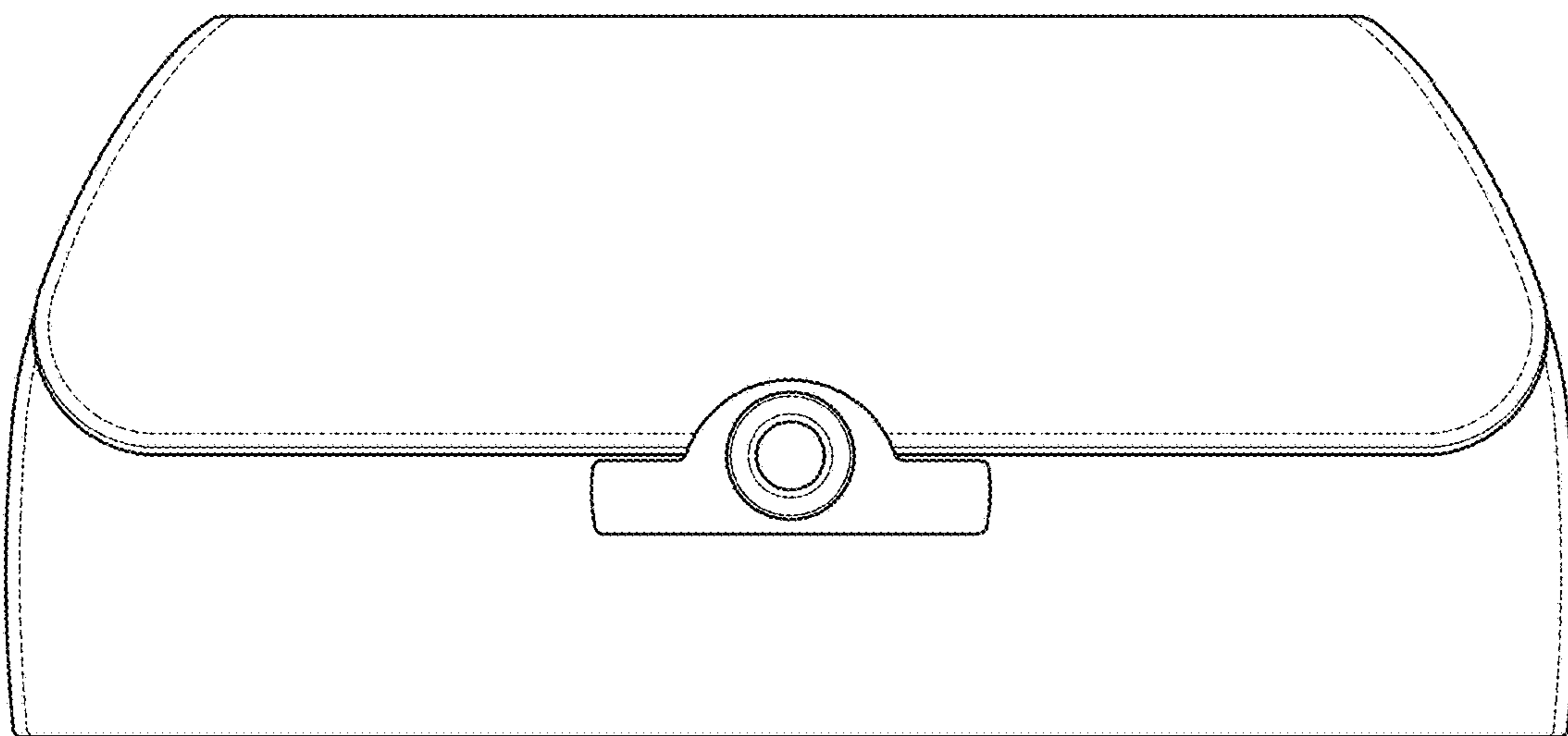


FIG. 2

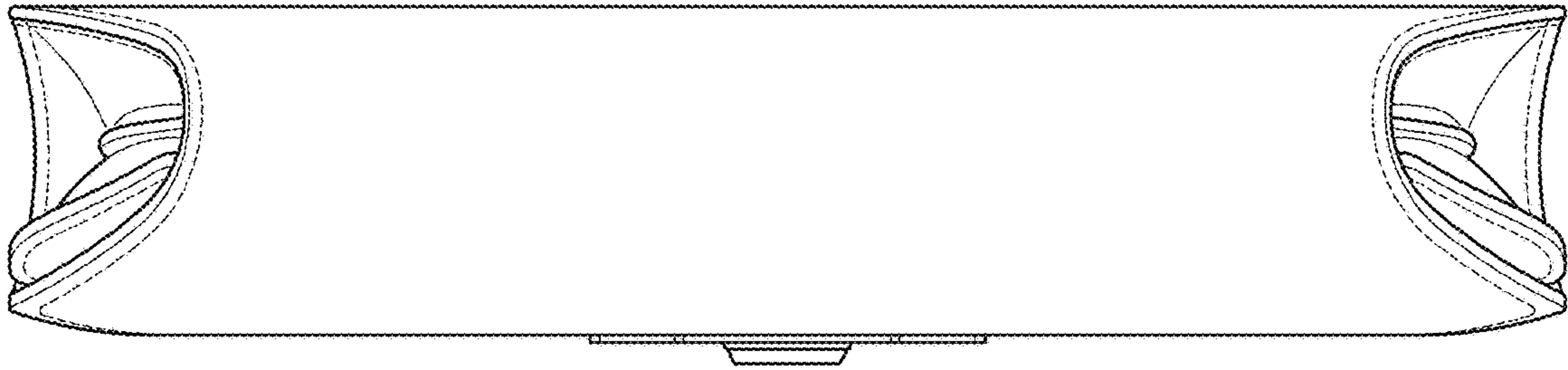


FIG. 3

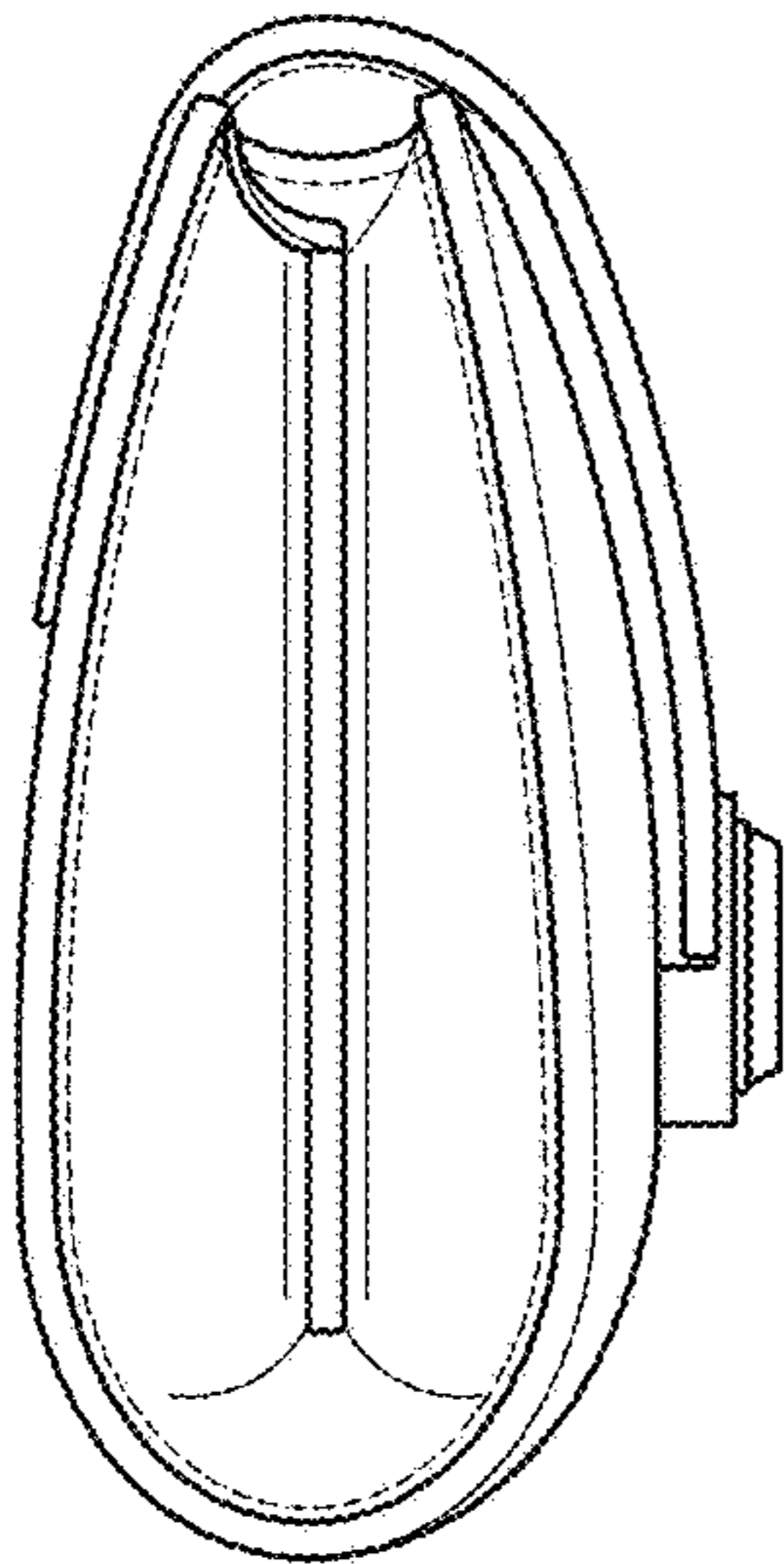


FIG. 4

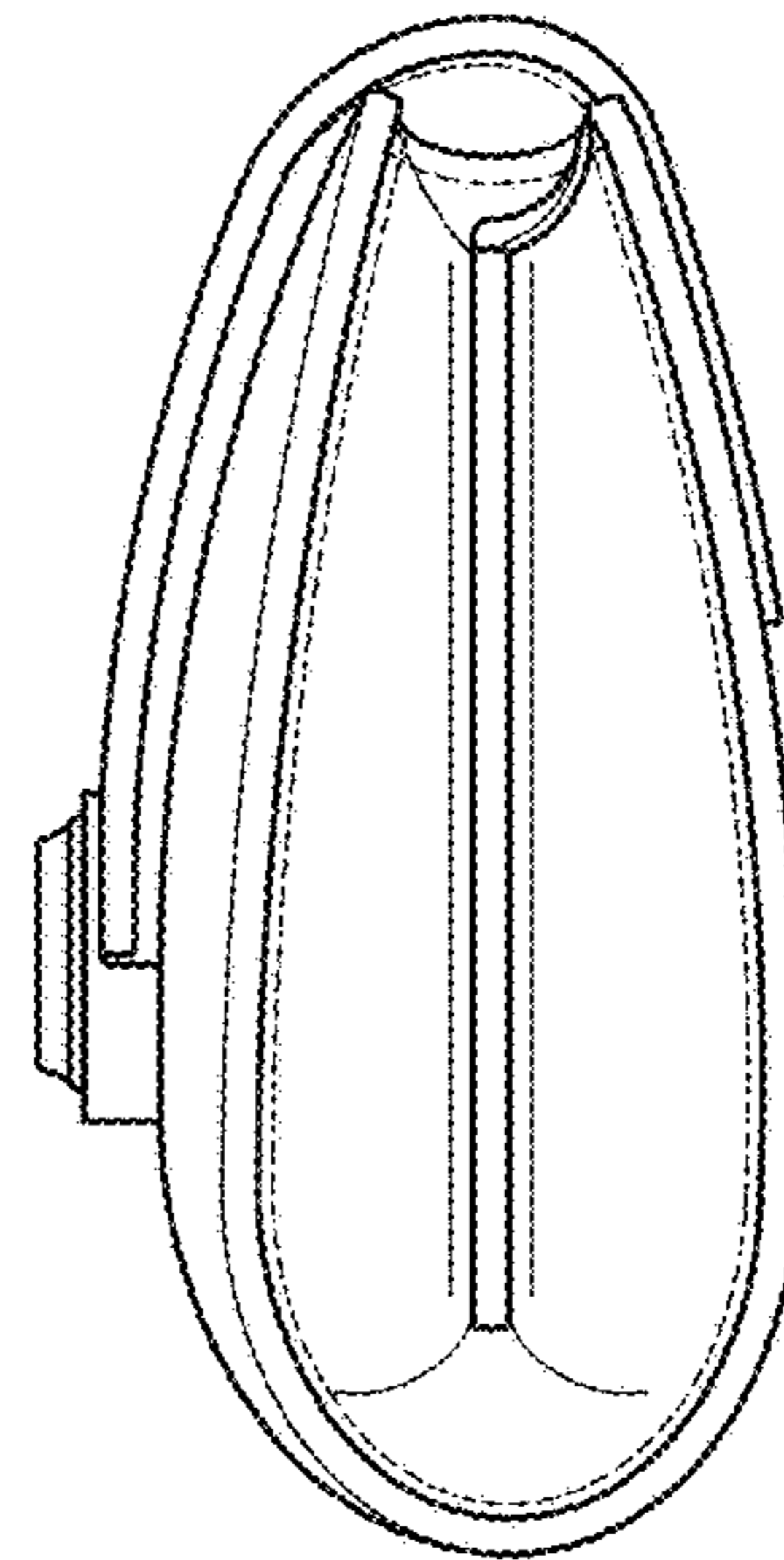


FIG. 5

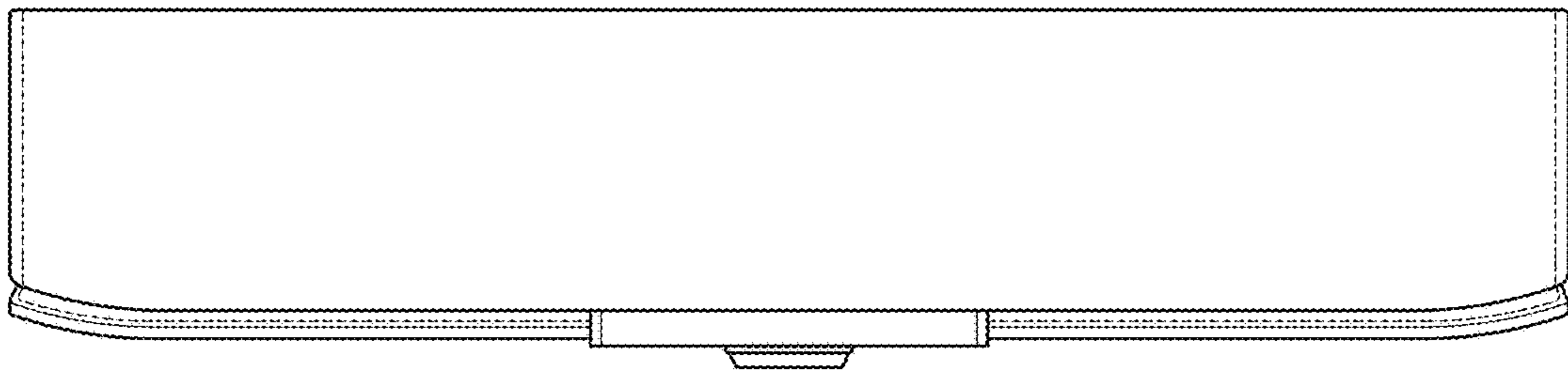


FIG. 6

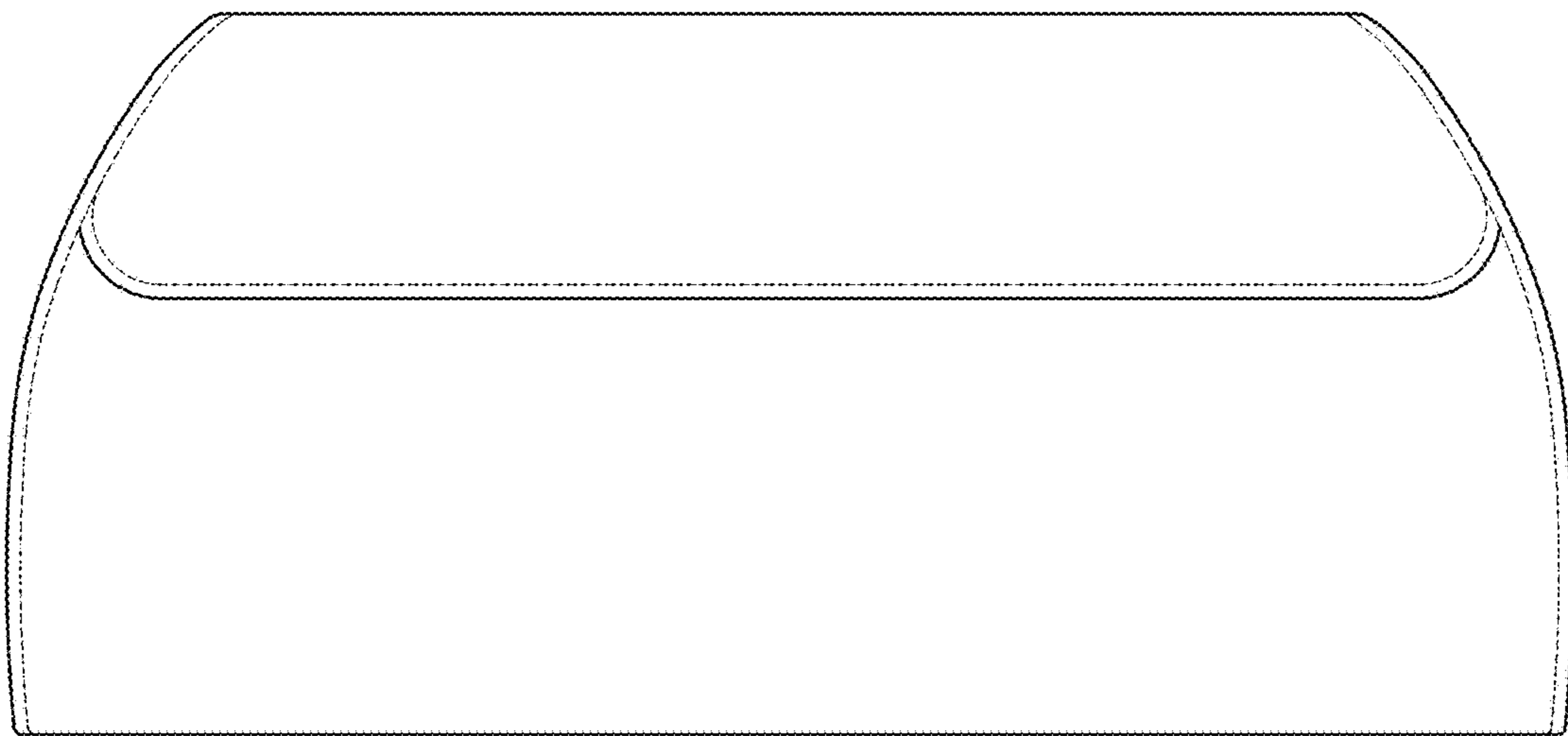


FIG. 7