



US00D800445S

(12) **United States Design Patent** (10) **Patent No.:** **US D800,445 S**  
**Haeussinger** (45) **Date of Patent:** **\*\* Oct. 24, 2017**

(54) **CRITICAL CASUALTY EMERGENCY FIRST AID KIT**

(71) Applicant: **John D. Haeussinger**, Santee, CA (US)

(72) Inventor: **John D. Haeussinger**, Santee, CA (US)

(\*\*) Term: **15 Years**

(21) Appl. No.: **29/573,553**

(22) Filed: **Aug. 8, 2016**

(51) **LOC (10) Cl.** ..... **03-01**

(52) **U.S. Cl.**  
USPC ..... **D3/203.6**

(58) **Field of Classification Search**  
USPC ..... D3/202, 203, 213, 214, 215, 201, 226,  
D3/228, 224, 327, 229, 273, 290, 294,  
D3/243, 245, 246, 266, 904, 304, 307,  
D3/308, 309, 315; D7/509, 510, 511;  
D9/455, 706, 707; D34/11  
CPC . B65D 77/24; A45C 11/20; A45F 5/00; A45F  
3/12; G10K 5/00

See application file for complete search history.

(56) **References Cited**

**U.S. PATENT DOCUMENTS**

|                |         |             |       |                      |
|----------------|---------|-------------|-------|----------------------|
| D453,066 S *   | 1/2002  | Norman      | ..... | D3/213               |
| D483,561 S *   | 12/2003 | Charpentier | ..... | D3/215               |
| D484,685 S *   | 1/2004  | Kassai      | ..... | D3/213               |
| D501,078 S *   | 1/2005  | Cabana      | ..... | D29/101.3            |
| D503,276 S *   | 3/2005  | Racov       | ..... | D3/228               |
| D604,948 S *   | 12/2009 | Misquez     | ..... | D3/229               |
| D611,707 S *   | 3/2010  | Hock        | ..... | D3/201               |
| D623,402 S *   | 9/2010  | Bergkvist   | ..... | D3/213               |
| D623,403 S *   | 9/2010  | Sammons     | ..... | D3/213               |
| 8,517,636 B2 * | 8/2013  | Wrigley     | ..... | A45F 3/14<br>224/934 |
| D753,385 S *   | 4/2016  | Stave       | ..... | D3/213               |
| D755,508 S *   | 5/2016  | Chuah       | ..... | D3/213               |
| D770,166 S *   | 11/2016 | Figler      | ..... | D3/213               |
| D774,747 S *   | 12/2016 | Gamble      | ..... | D3/202               |

(Continued)

*Primary Examiner* — John Windmuller  
*Assistant Examiner* — Benjamin Weeks  
(74) *Attorney, Agent, or Firm* — Richard D. Clarke

(57) **CLAIM**

I claim the ornamental design for a critical casualty emergency first aid kit, as shown and described.

**DESCRIPTION**

FIG. 1 is a front view of the critical casualty emergency first aid kit, shown with all compartments open, wherein the broken lines represent stitching and form part of the claimed design;

FIG. 2 is a top plan view of the critical casualty emergency first aid kit, shown with all compartments closed, wherein the broken lines represent stitching and form part of the claimed design;

FIG. 3 is a front view of the critical casualty emergency first aid kit, shown with all compartments closed, wherein the broken lines represent stitching and form part of the claimed design;

FIG. 4 is a rear view of the front view of the critical casualty emergency first aid kit, wherein the broken lines represent stitching and form part of the claimed design;

FIG. 5 is a bottom plan view of the front view of the critical casualty emergency first aid kit, wherein the broken lines represent stitching and form part of the claimed design;

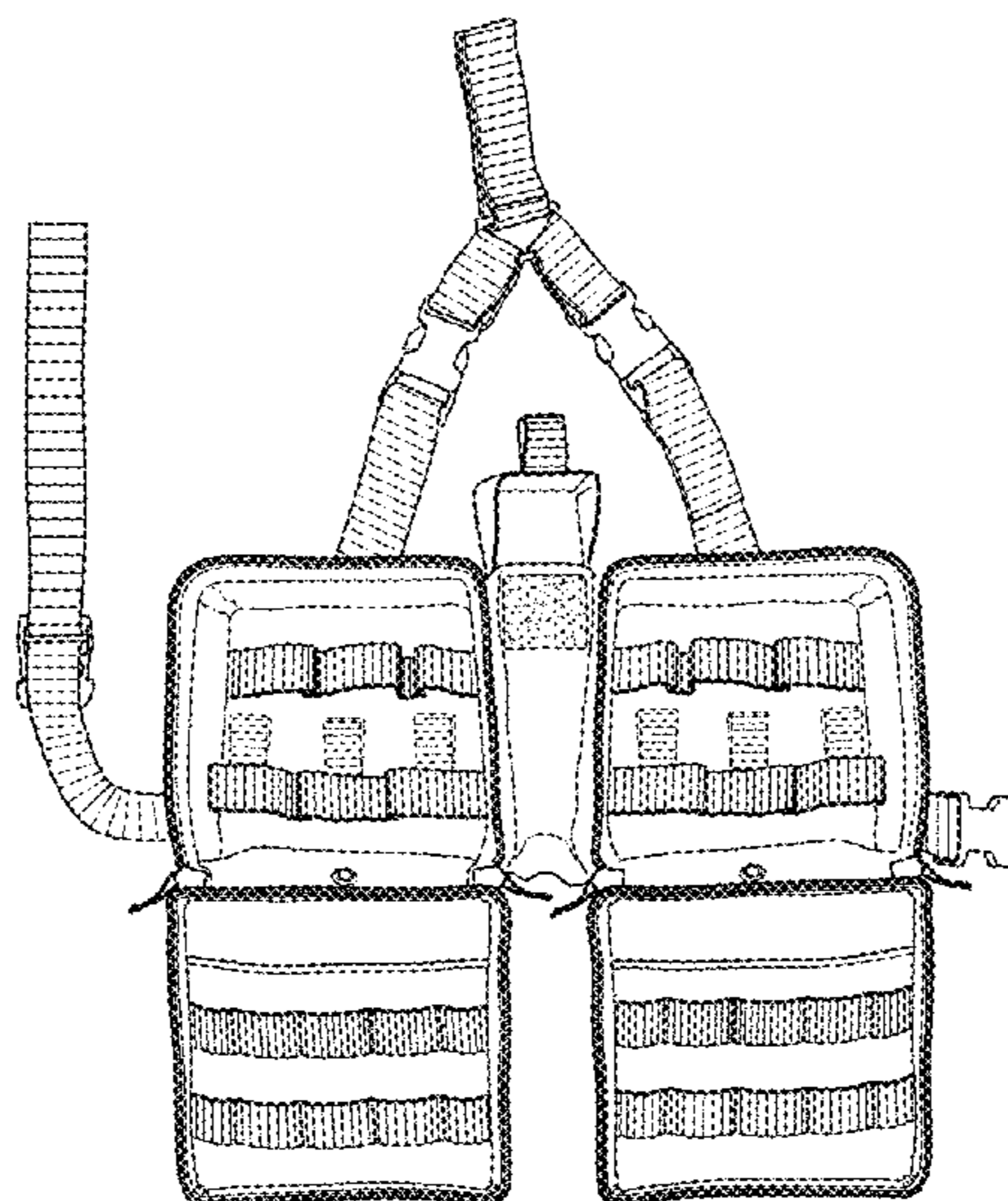
FIG. 6 is a left side elevation view of the critical casualty emergency first aid kit; and,

FIG. 7 is a right side elevation view of the critical casualty emergency first aid kit.

The broken lines represent stitching and form part of the claimed design.

The dot-dash lines represent portions of the critical casualty emergency first aid kit that form no part of the claimed design.

**1 Claim, 4 Drawing Sheets**



(56)

**References Cited**

U.S. PATENT DOCUMENTS

|                   |        |             |                      |
|-------------------|--------|-------------|----------------------|
| D783,269 S *      | 4/2017 | Lucas ..... | D3/213               |
| 2010/0243694 A1 * | 9/2010 | Oddou ..... | A45F 3/04<br>224/633 |
| 2014/0084038 A1 * | 3/2014 | Moles ..... | A45F 5/00<br>224/607 |

\* cited by examiner

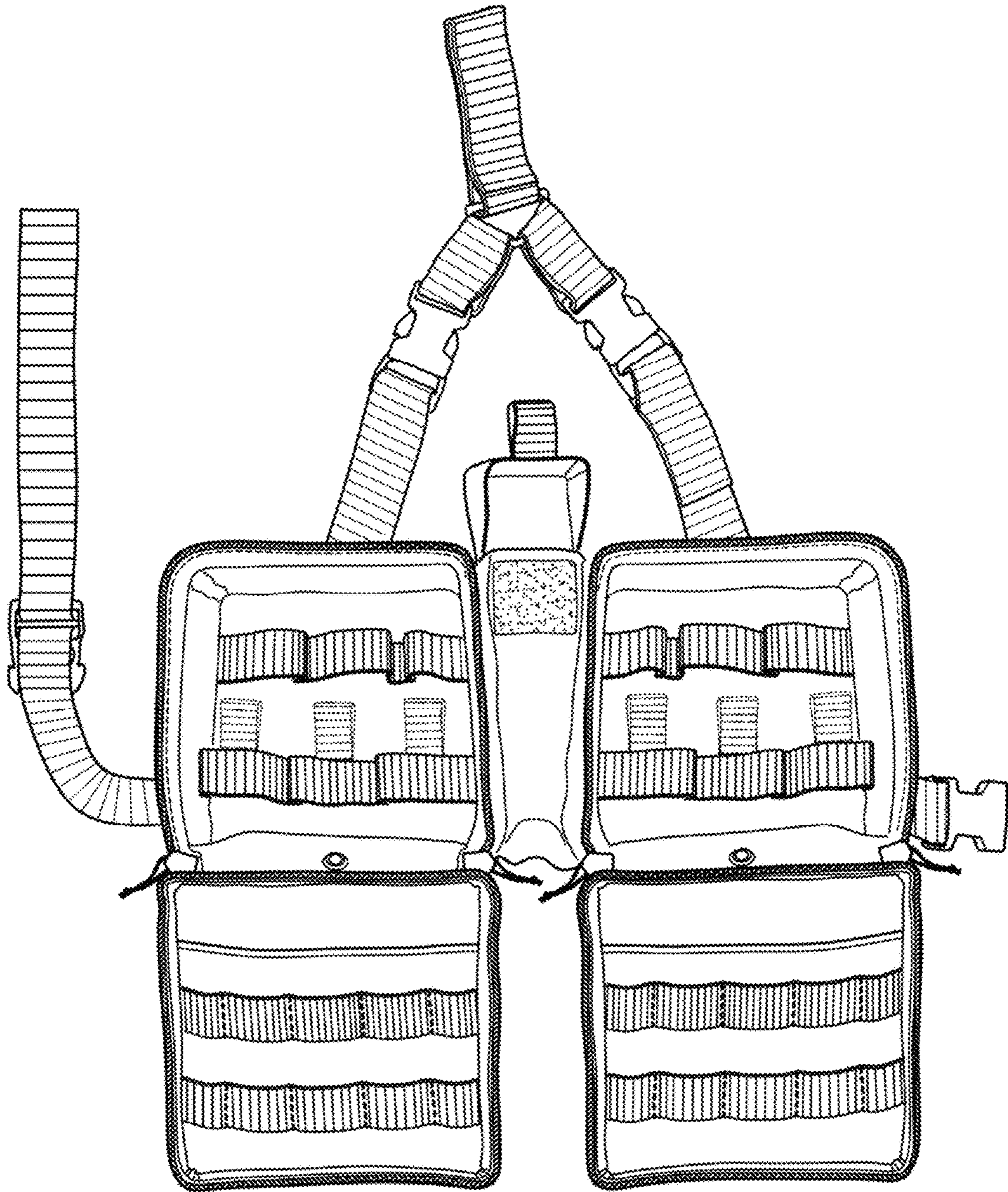


FIG. 1

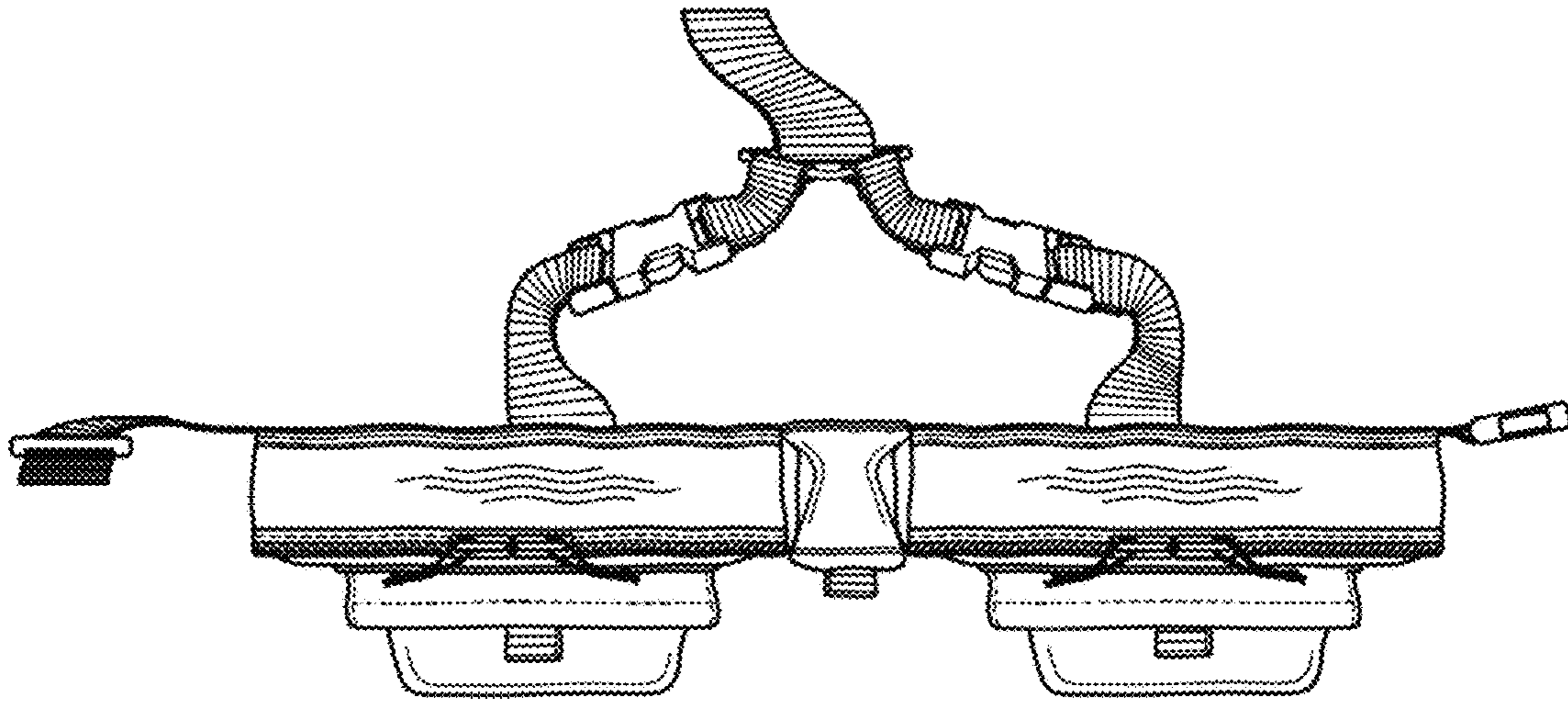


FIG. 2

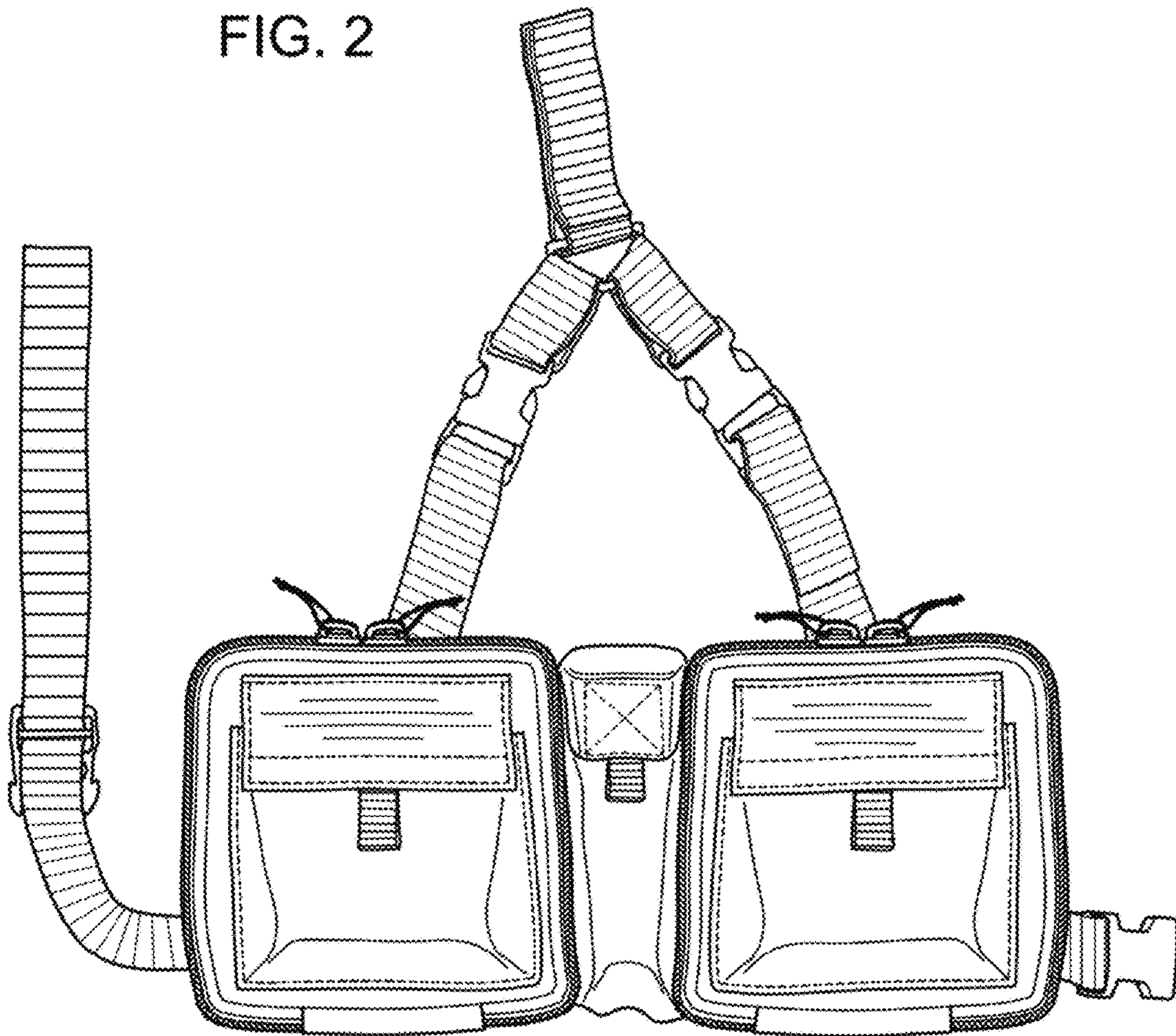


FIG. 3

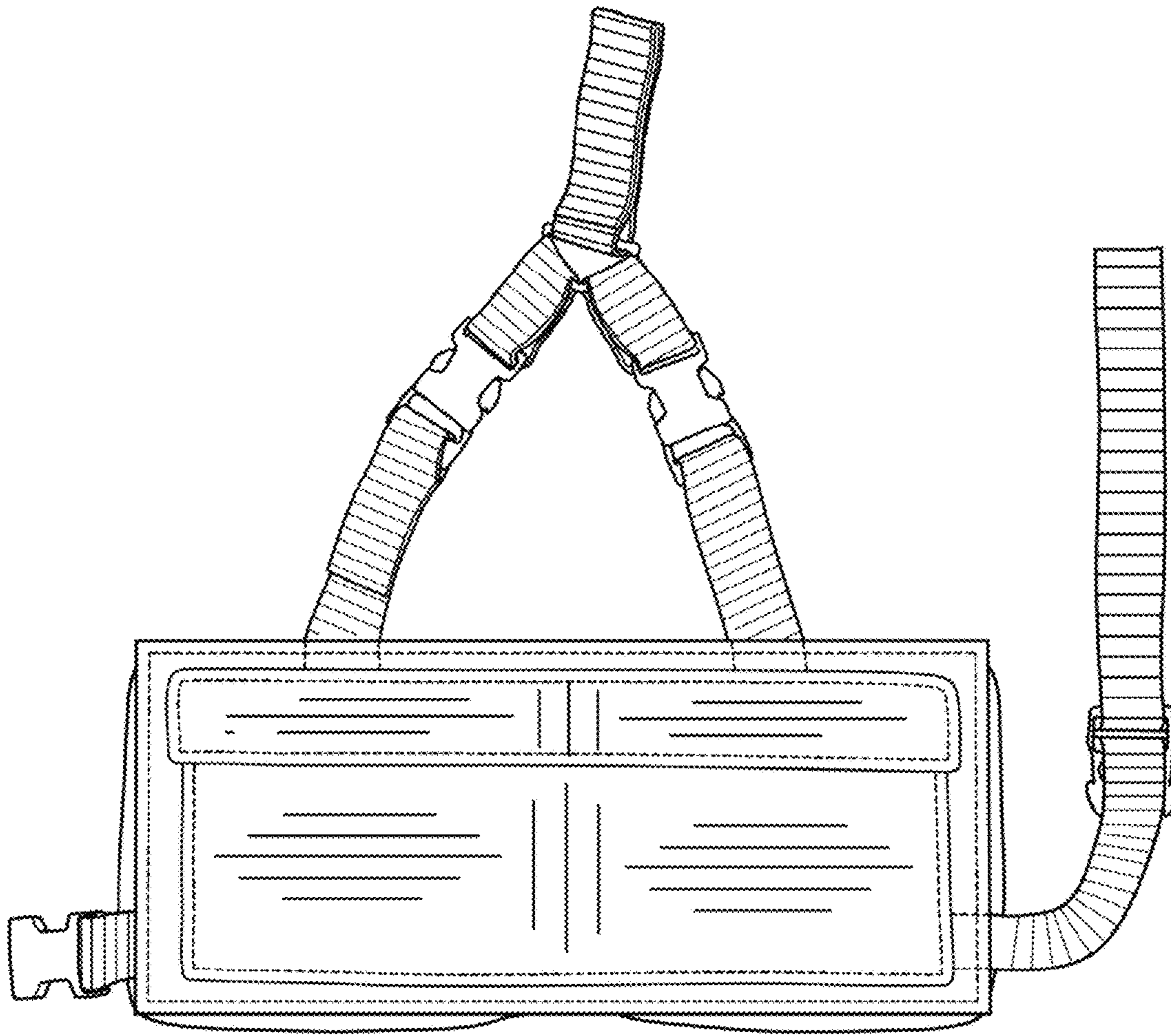


FIG. 4

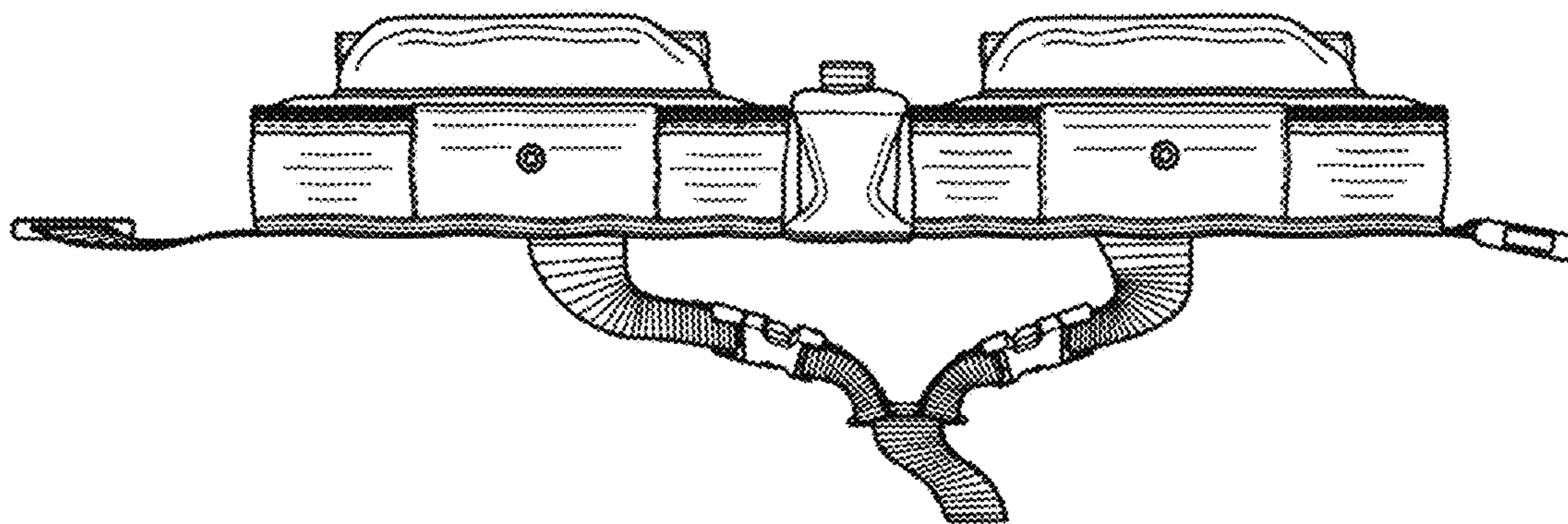


FIG. 5

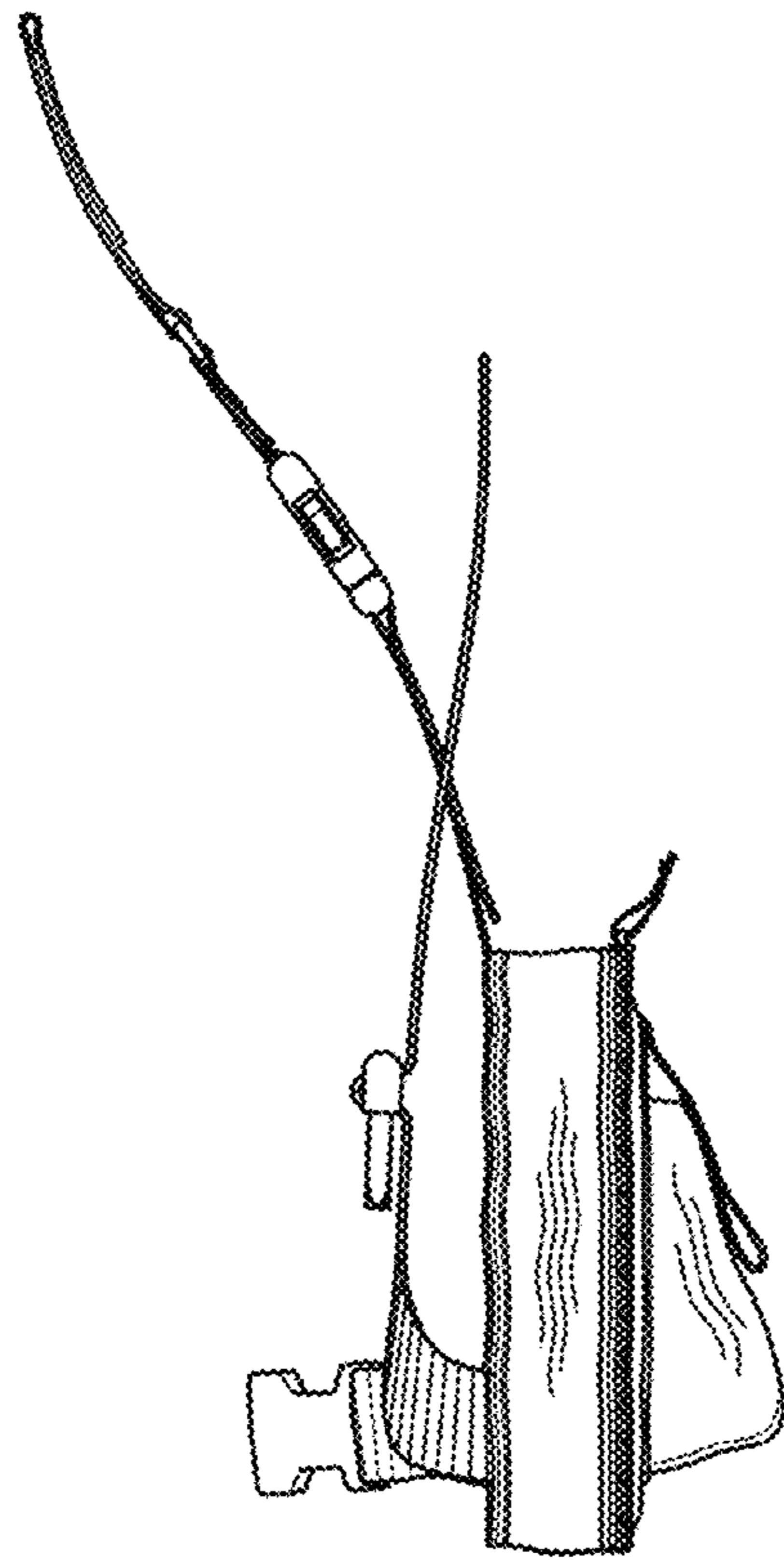


FIG. 6

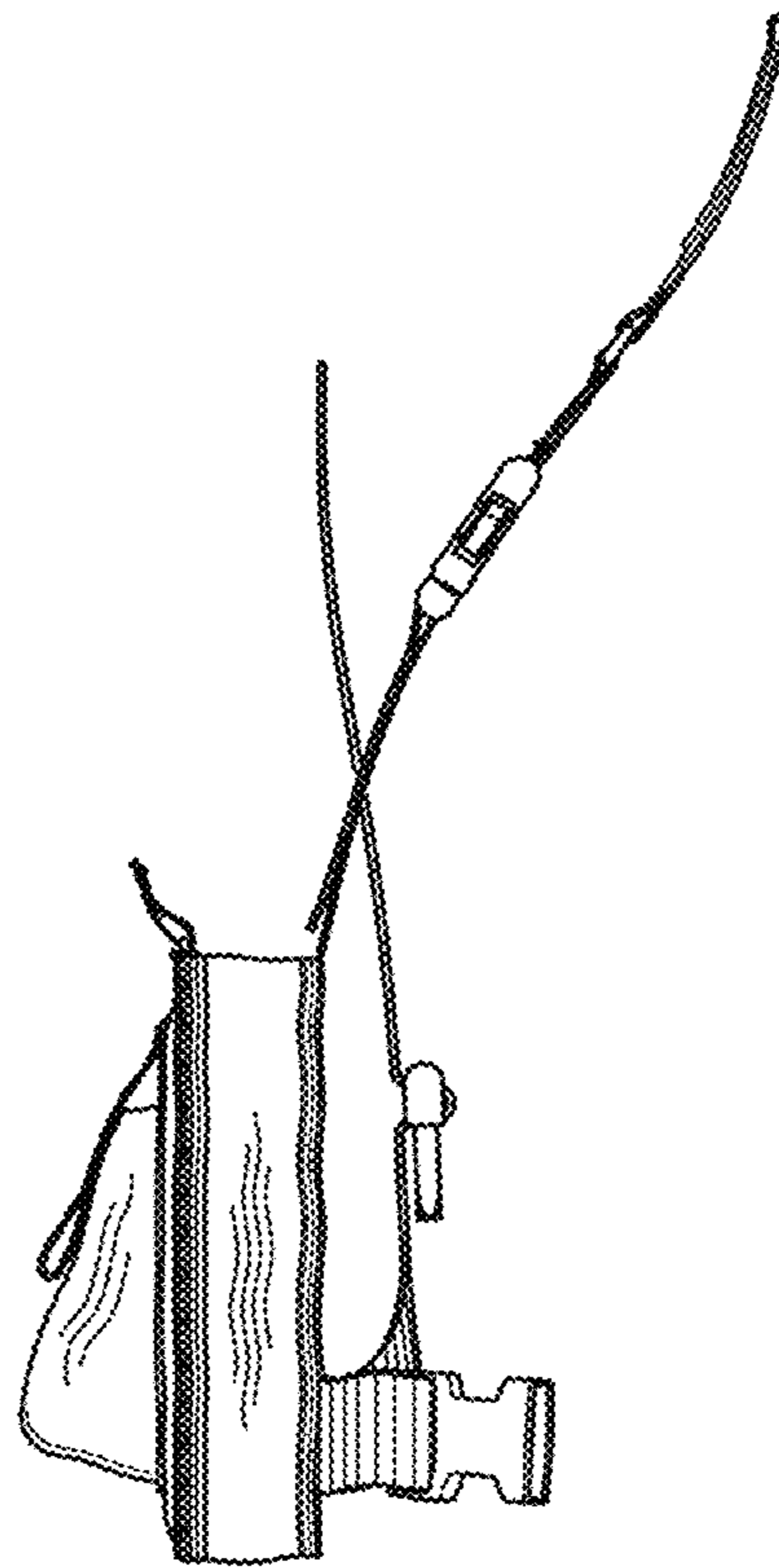


FIG. 7