



US00D800442S

(12) **United States Design Patent** (10) **Patent No.:** **US D800,442 S**
Mou (45) **Date of Patent:** **** Oct. 24, 2017**

- (54) **UMBRELLA HANDLE**
- (71) Applicant: **Pui Kay Mou**, N.T. (HK)
- (72) Inventor: **Pui Kay Mou**, N.T. (HK)
- (73) Assignee: **OFESS LIMITED**, N.T. (HK)
- (**) Term: **15 Years**
- (21) Appl. No.: **29/561,638**
- (22) Filed: **Apr. 18, 2016**
- (30) **Foreign Application Priority Data**

- Oct. 20, 2015 (HK) 1502271
- (51) **LOC (10) Cl.** **03-03**
- (52) **U.S. Cl.**
USPC **D3/14**
- (58) **Field of Classification Search**
USPC D3/5, 6, 7, 8, 10, 12, 13, 14, 15, 17;
D12/345; D21/447
CPC A45B 2200/1081
See application file for complete search history.

(56) **References Cited**

U.S. PATENT DOCUMENTS

- 1,645,497 A * 10/1927 Dellinger A45B 9/02
135/44
- D160,519 S * 10/1950 Miller et al. D10/115
- D168,752 S * 2/1953 Miller et al. D3/13
- 3,575,186 A * 4/1971 Seitel A45B 25/12
135/44
- 3,759,278 A * 9/1973 Hoffmann A45B 9/02
135/25.4
- D233,570 S * 11/1974 Hoffmann et al. D3/16
- D243,969 S * 4/1977 Pitts D21/450
- D248,988 S * 8/1978 Goldfarb D21/454
- D249,378 S * 9/1978 Takahashi D21/447
- D269,340 S * 6/1983 Harold D12/319

- D271,013 S * 10/1983 Velez D12/335
- D279,094 S * 6/1985 Ferrell D12/340
- 4,802,499 A * 2/1989 Lisack A45B 25/16
135/22
- 4,881,154 A * 11/1989 Tseng A45B 3/04
362/102
- D311,273 S * 10/1990 Jenkins D21/659
- D315,637 S * 3/1991 Jenkins D3/15
- D331,495 S * 12/1992 Heetman D3/14
- D343,921 S * 2/1994 Dimino D28/13
- D524,459 S * 7/2006 Brady D26/26
- D543,494 S * 5/2007 Hall D12/319
- D595,210 S * 6/2009 Cazals D12/345
- D595,211 S * 6/2009 Cazals D12/345
- D595,634 S * 7/2009 Cazals D12/345
- D619,076 S * 7/2010 Guering D12/343
- D621,333 S * 8/2010 Cazals D12/345
- D621,335 S * 8/2010 Cazals D12/345
- D621,776 S * 8/2010 Cazals D12/345
- D622,654 S * 8/2010 Gall D12/345

(Continued)

Primary Examiner — John Windmuller
Assistant Examiner — Steven Czyz

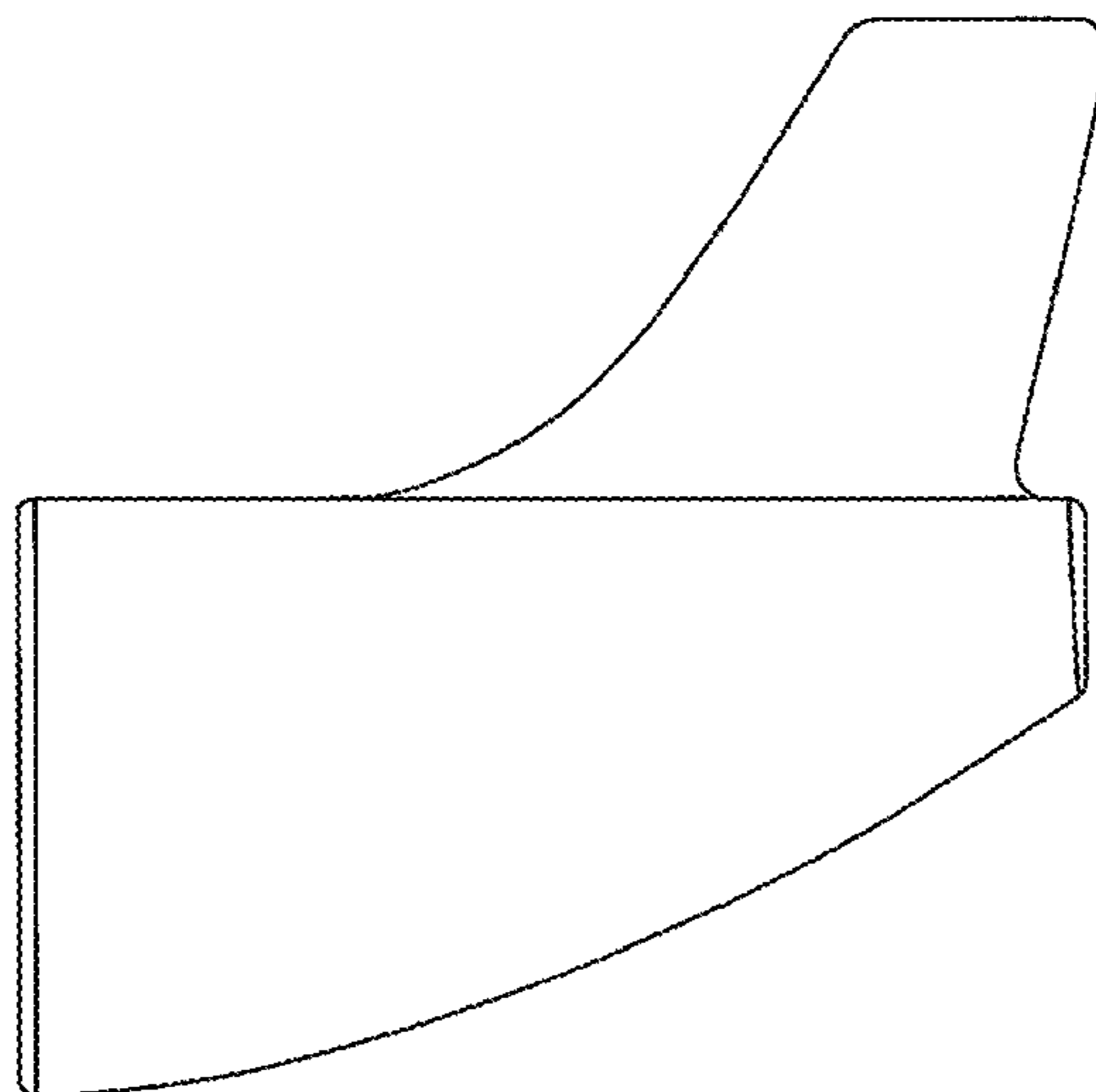
(57) **CLAIM**

The ornamental design for an umbrella handle, as shown and described.

DESCRIPTION

FIG. 1 is a front elevation view of an umbrella handle showing my new design;
FIG. 2 is a rear elevation view thereof;
FIG. 3 is a left side view thereof;
FIG. 4 is a right side view thereof;
FIG. 5 is a top plan view thereof;
FIG. 6 is a perspective view thereof; and,
FIG. 7 is a front view of the umbrella handle shown on an umbrella.
The broken lines shown in Figs. depict environmental features only and do not form part of the claimed design.

1 Claim, 4 Drawing Sheets



(56)

References Cited

U.S. PATENT DOCUMENTS

D624,480	S	*	9/2010	Guering	D12/343
D624,484	S	*	9/2010	Saint-Jalmes	D12/345
D642,372	S	*	8/2011	Mayer	D3/14
D697,706	S	*	1/2014	Circosta	D3/15
D751,807	S	*	3/2016	Rothbucher	D3/12
D752,336	S	*	3/2016	Rothbucher	D3/12
2004/0194819	A1	*	10/2004	Dweck	A45B 9/02 135/16

* cited by examiner

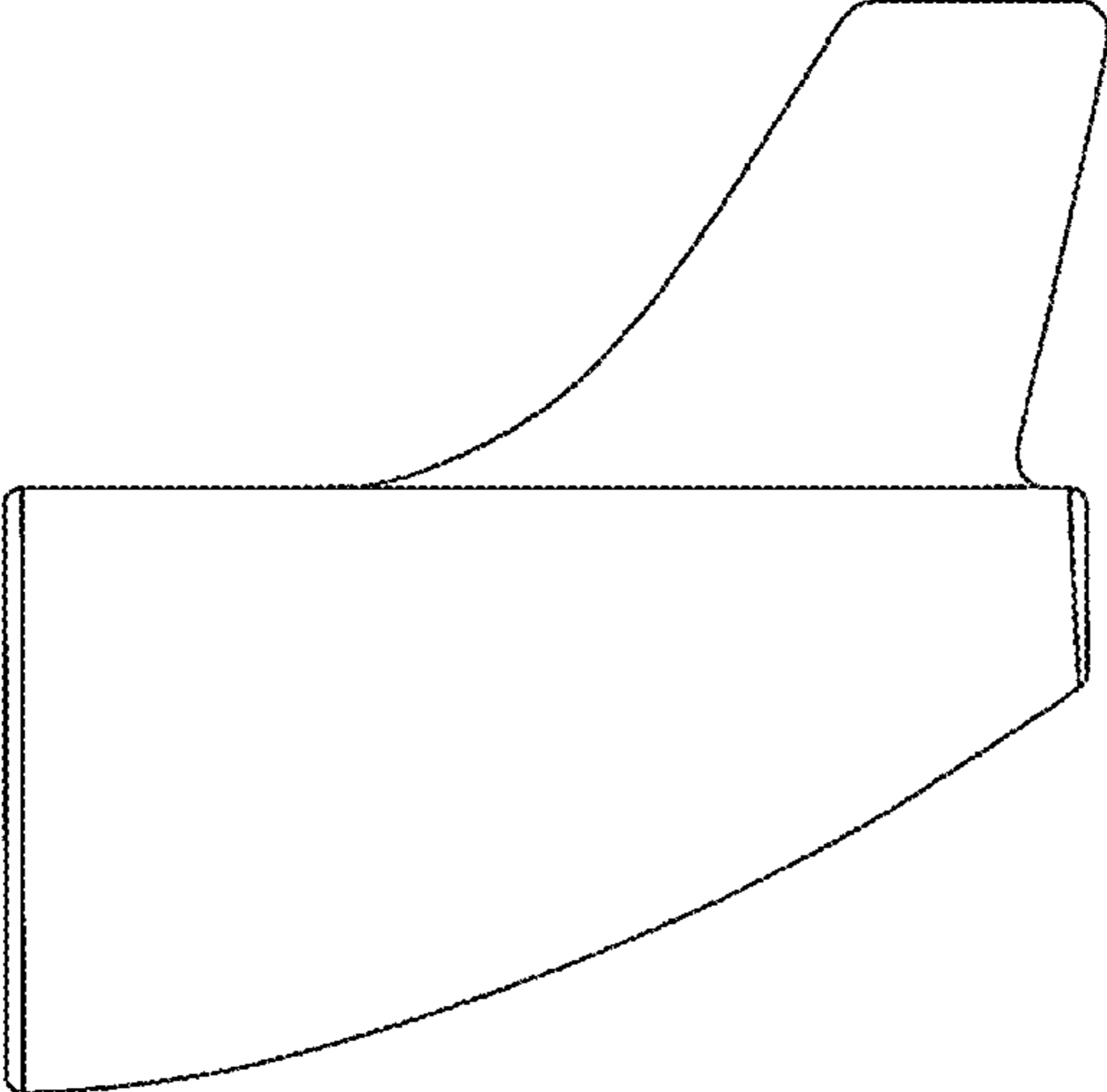


FIG. 1

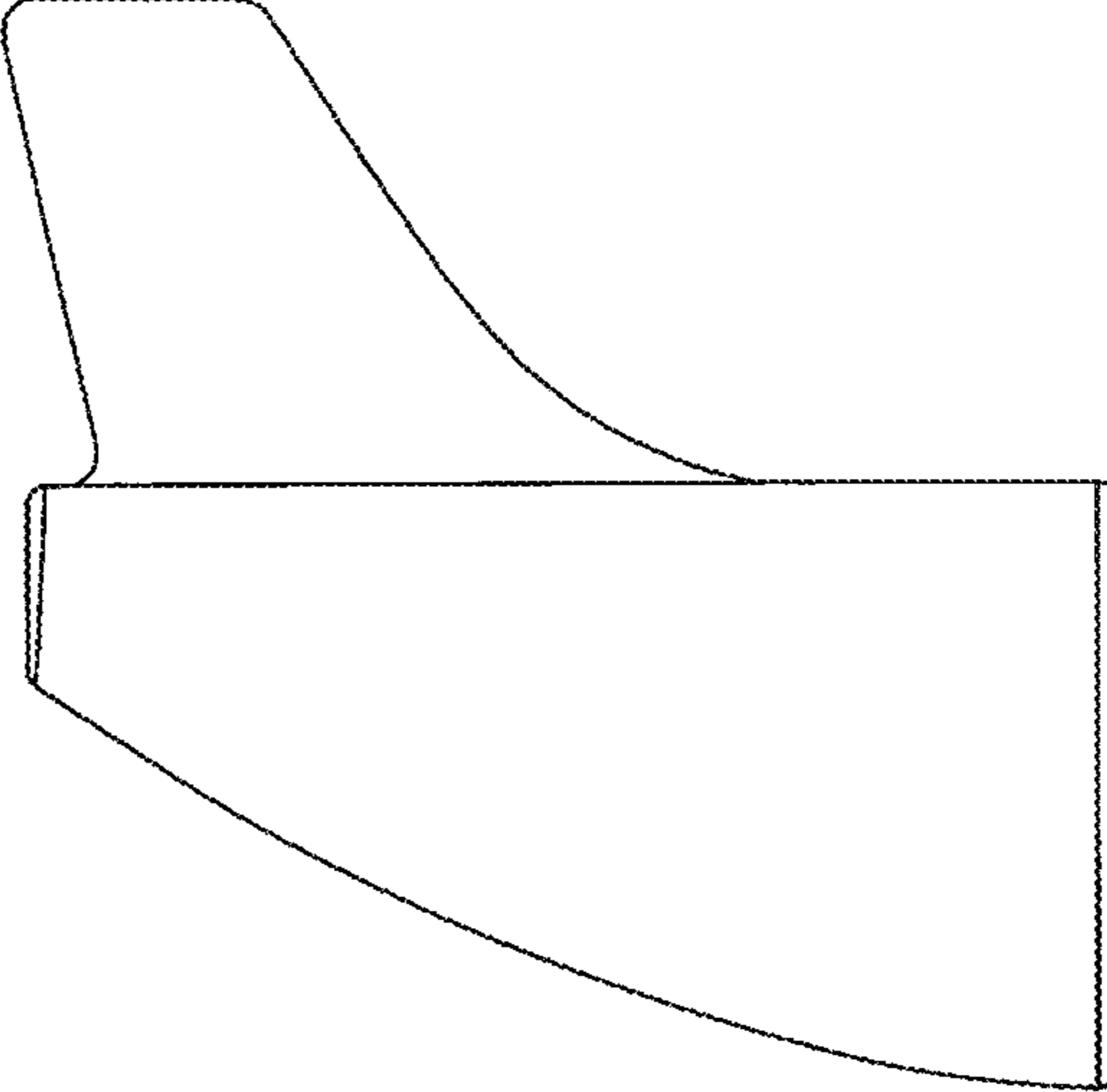


FIG. 2

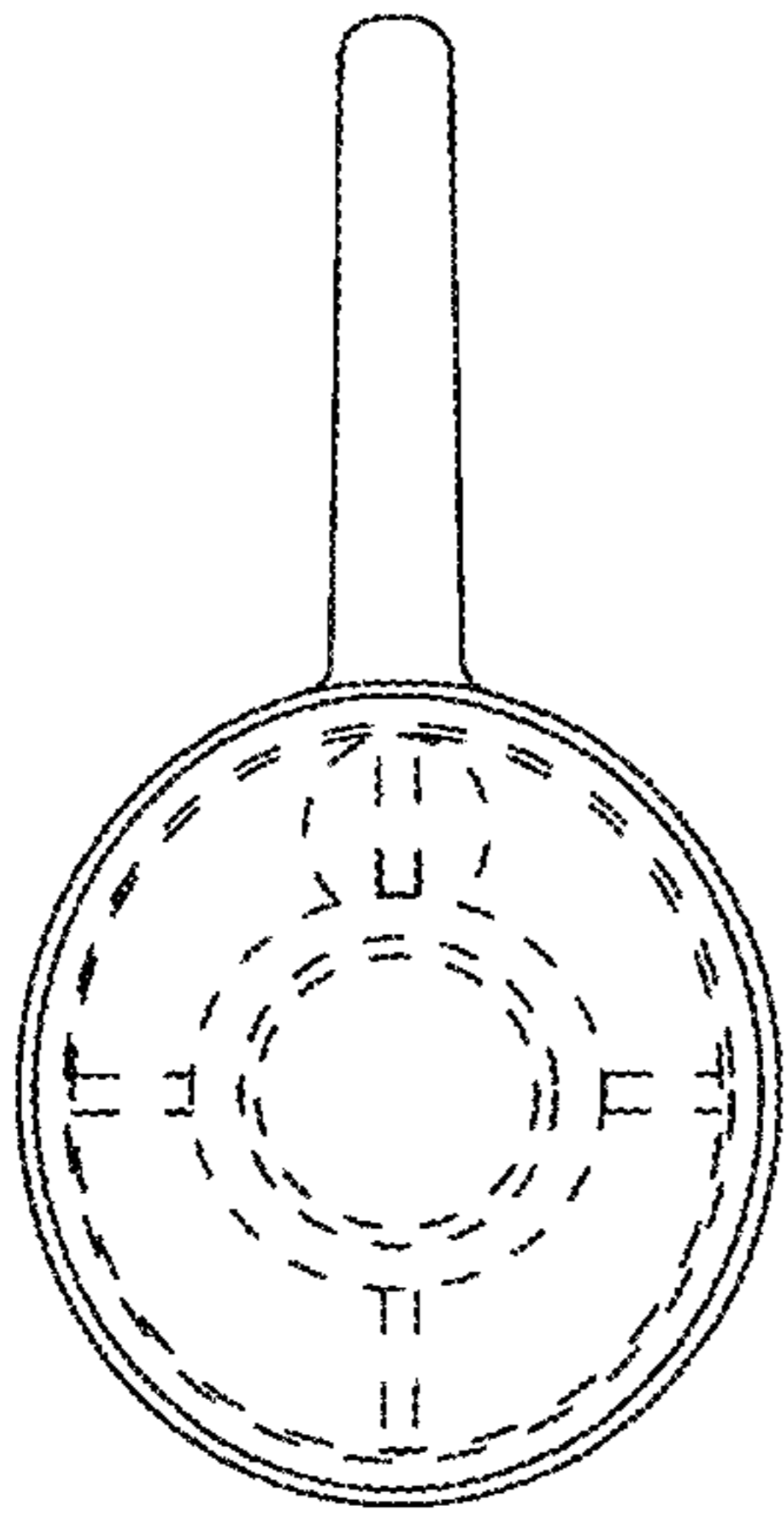


FIG. 3

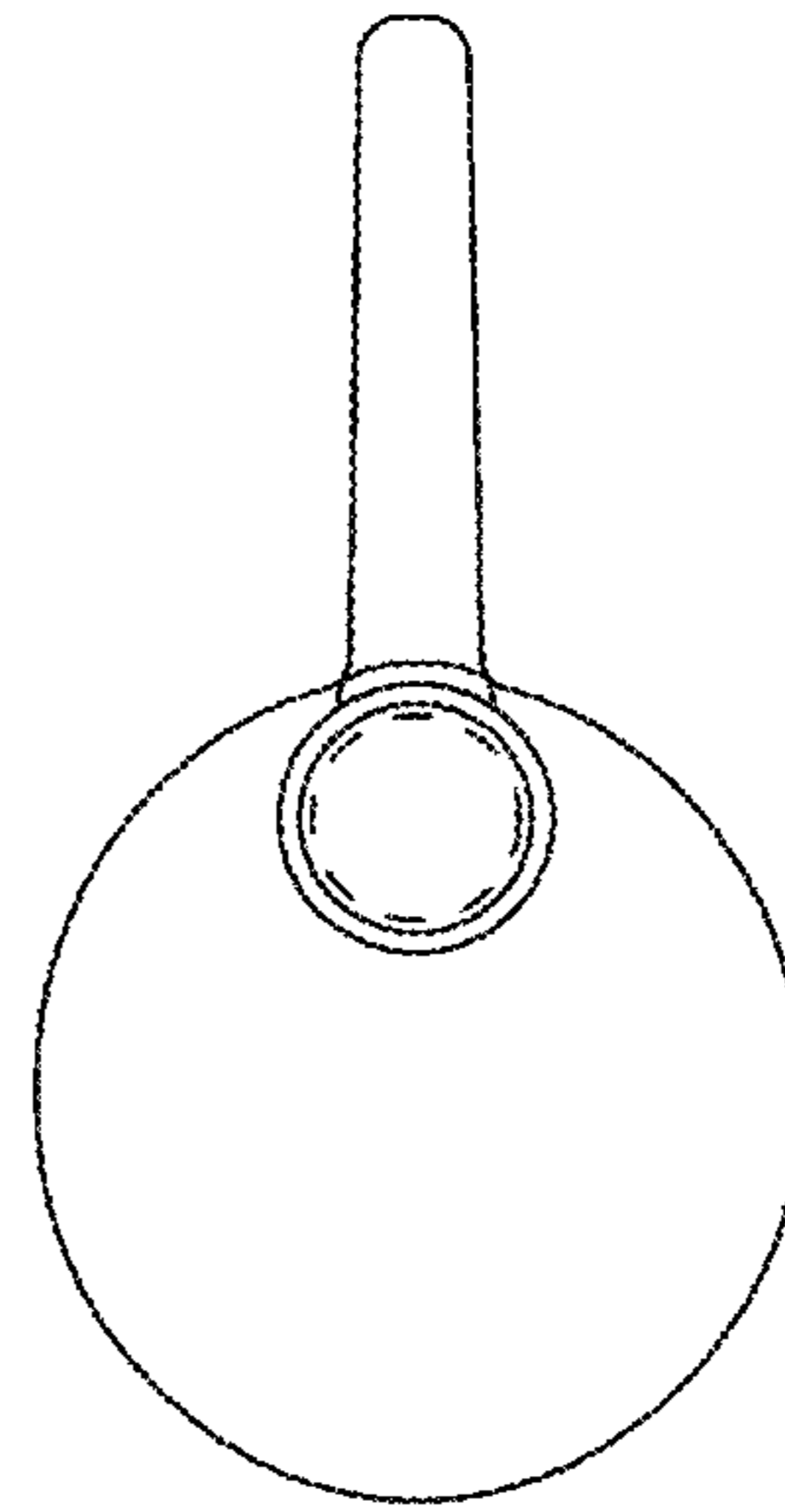


FIG. 4

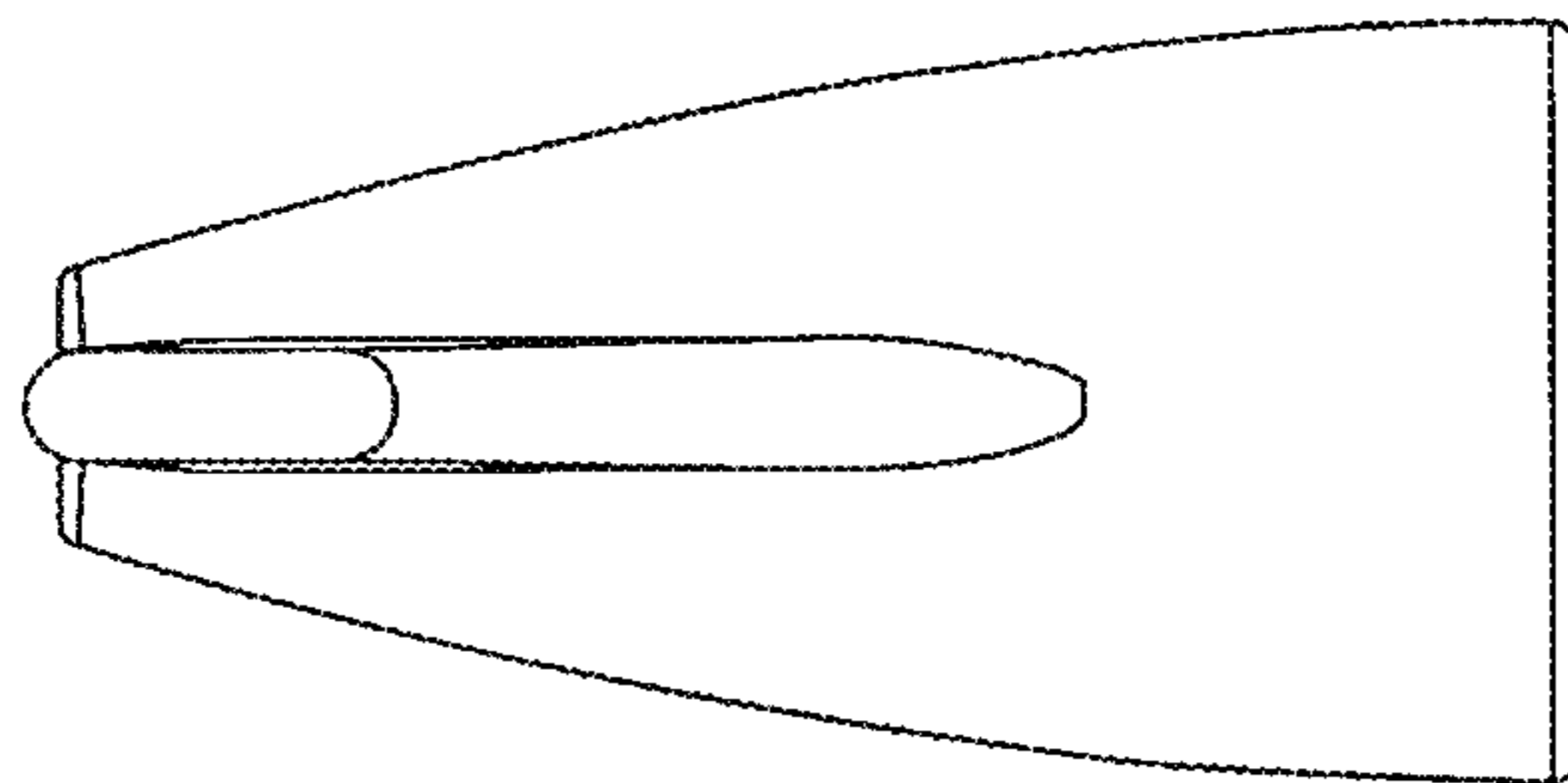


FIG. 5

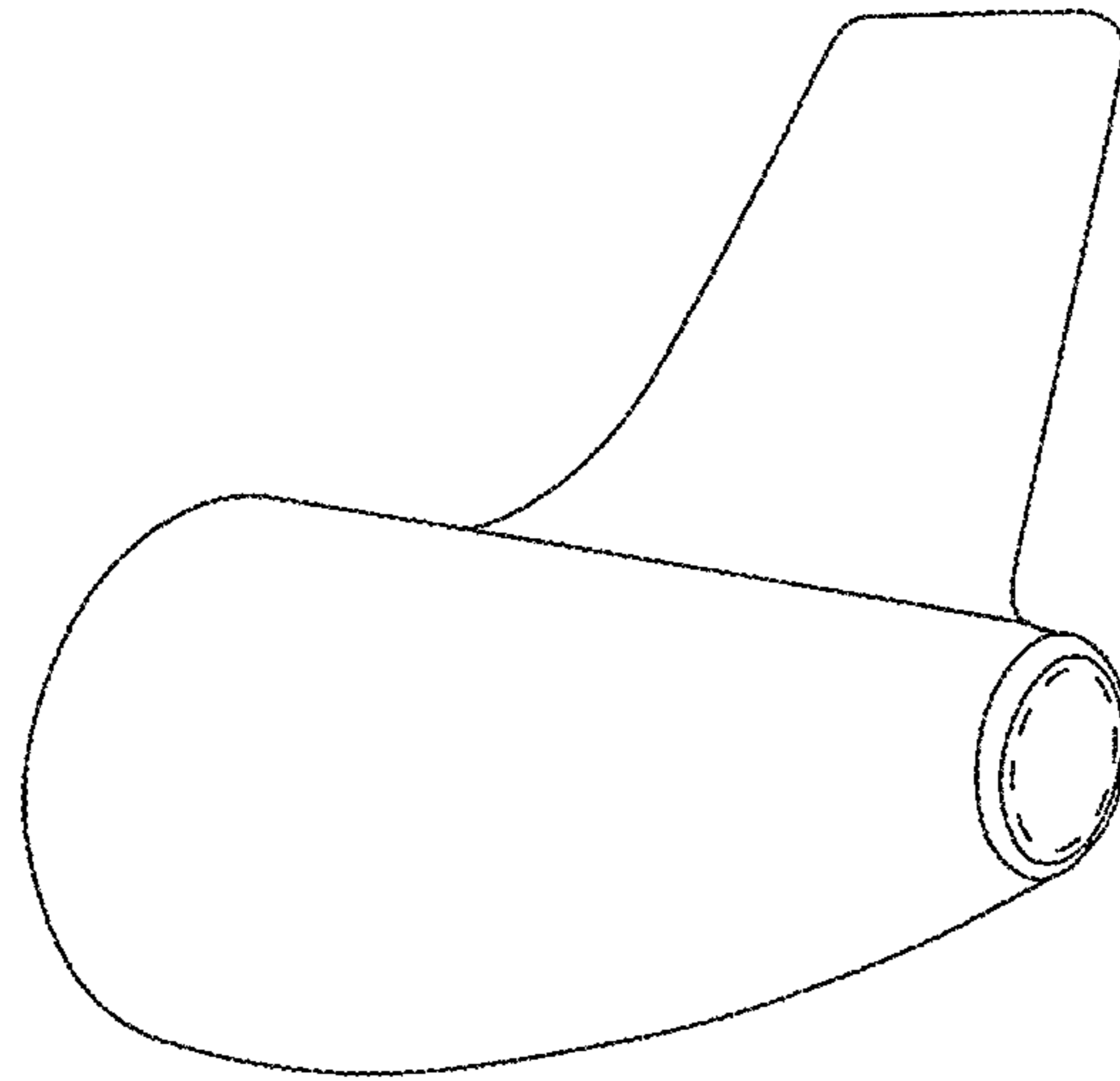


FIG. 6

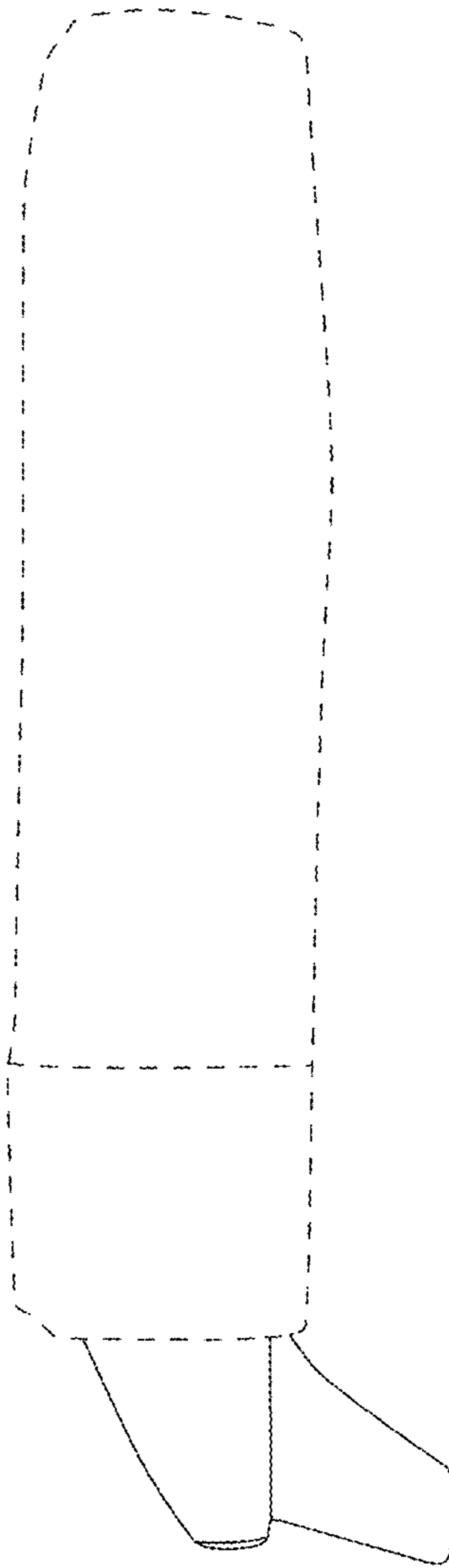


FIG. 7