



US00D800441S

(12) **United States Design Patent**
Hobbick

(10) **Patent No.:** **US D800,441 S**

(45) **Date of Patent:** **** Oct. 24, 2017**

(54) **FOOT ATTACHMENT FOR A CRUTCH**

(71) Applicant: **William L. Hobbick**, Salvisa, KY (US)

(72) Inventor: **William L. Hobbick**, Salvisa, KY (US)

(**) Term: **15 Years**

(21) Appl. No.: **29/552,467**

(22) Filed: **Jan. 22, 2016**

(51) **LOC (10) Cl.** **03-01**

(52) **U.S. Cl.**
USPC **D3/10**

(58) **Field of Classification Search**

USPC D3/5, 7, 8, 9, 10, 17; D12/133

CPC A45B 9/00; A45B 9/04; A45B 2009/002;

A61H 3/02; A61H 3/0288

See application file for complete search history.

(56) **References Cited**

U.S. PATENT DOCUMENTS

2,453,742	A *	11/1948	Bowen	A61H 3/0288	135/77
3,273,575	A *	9/1966	Aldrich	A61H 3/0288	135/77
D220,990	S *	6/1971	Zimmermann	D3/10	
4,899,771	A *	2/1990	Wilkinson	A45B 9/04	135/77
5,103,850	A *	4/1992	Davis	A45B 9/04	135/77
5,167,746	A *	12/1992	Sheenan	A45B 9/04	135/77
5,217,033	A *	6/1993	Herman, Jr.	A61H 3/02	135/68
5,353,825	A *	10/1994	Davis	A45B 9/04	135/68
6,131,593	A *	10/2000	Greene	A45B 9/04	135/77
6,230,726	B1 *	5/2001	Dell	A45B 9/04	135/65

D481,531	S *	11/2003	Haythornthwaite	D3/12	
6,666,895	B2 *	12/2003	Johnson	A61F 2/5046	623/47
D516,799	S *	3/2006	Gordon	D3/6	
D518,948	S *	4/2006	Calkins	D3/10	
D610,792	S *	3/2010	Ozuna	D12/133	
7,686,025	B1 *	3/2010	Dowling	A45B 9/04	135/66
D628,791	S *	12/2010	Ozuna	D3/17	
D680,730	S *	4/2013	Ozuna	D3/17	
8,789,547	B1 *	7/2014	Reda	A61H 3/00	135/77
D754,963	S *	5/2016	Austin	D3/10	
D764,161	S *	8/2016	Vasilatos	D3/17	
D770,163	S *	11/2016	Walther	D3/17	
2006/0081279	A1 *	4/2006	Carlson	A45B 9/04	135/65

(Continued)

Primary Examiner — John Windmuller

Assistant Examiner — Steven Czyz

(74) *Attorney, Agent, or Firm* — Robert C. Montgomery;
Montgomery Patent & Design, LP.

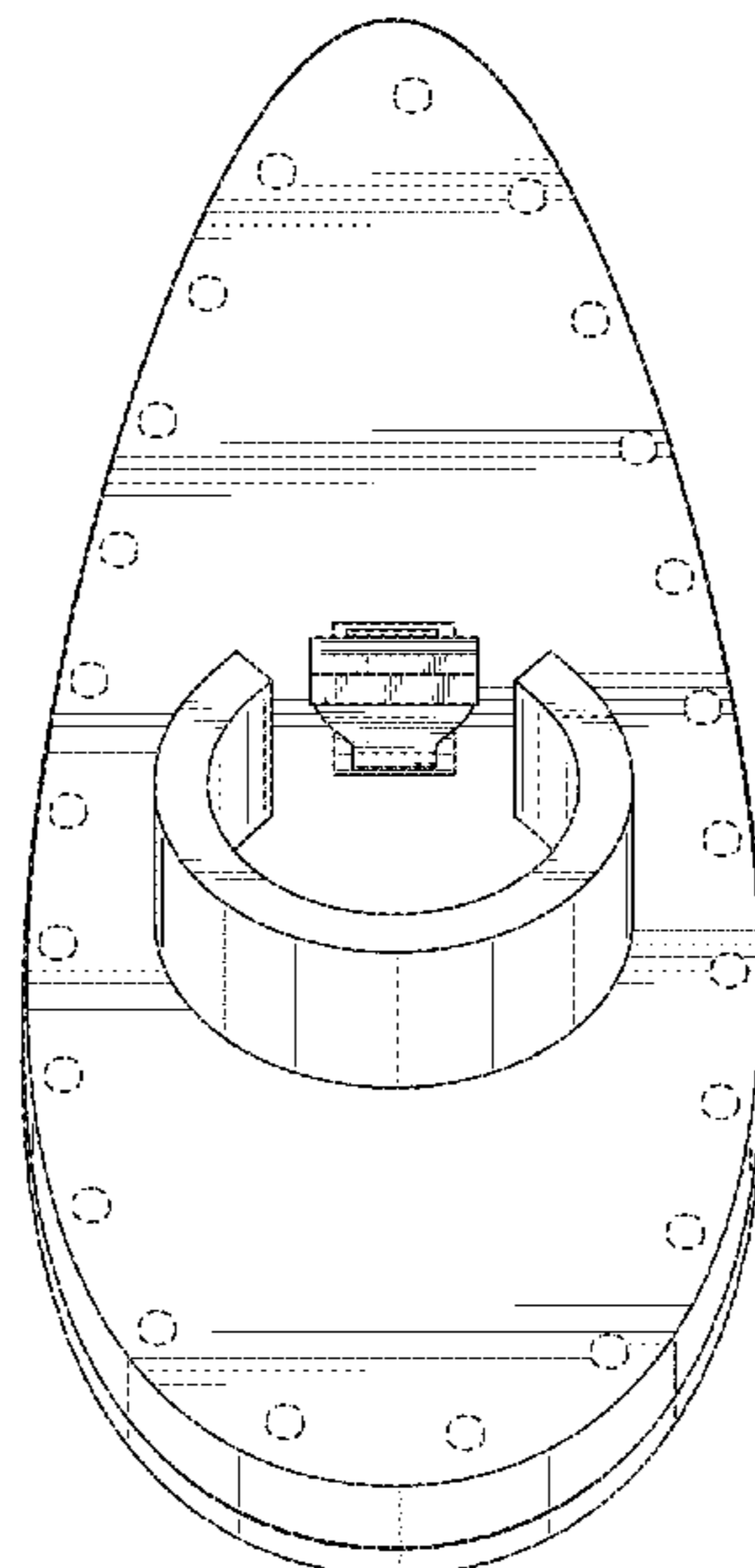
(57) **CLAIM**

The ornamental design for a foot attachment for a crutch, as shown and described.

DESCRIPTION

FIG. 1 is a front top perspective view of a foot attachment for a crutch, showing my new design;
FIG. 2 is a rear top perspective view thereof;
FIG. 3 is a front elevation view thereof;
FIG. 4 is a rear elevation view thereof;
FIG. 5 is a left side elevation view thereof, wherein a right side elevation view is a mirror image thereof;
FIG. 6 is a top plan view; and,
FIG. 7 is a bottom plan view thereof.
The broken lines depict portions of the article that form no part of the claimed design.

1 Claim, 4 Drawing Sheets



(56)

References Cited

U.S. PATENT DOCUMENTS

2010/0229346 A1* 9/2010 Chiu A47B 91/06
16/42 T
2013/0284222 A1* 10/2013 Lu A45B 9/04
135/75
2013/0291913 A1* 11/2013 Soletski A45B 9/04
135/72

* cited by examiner

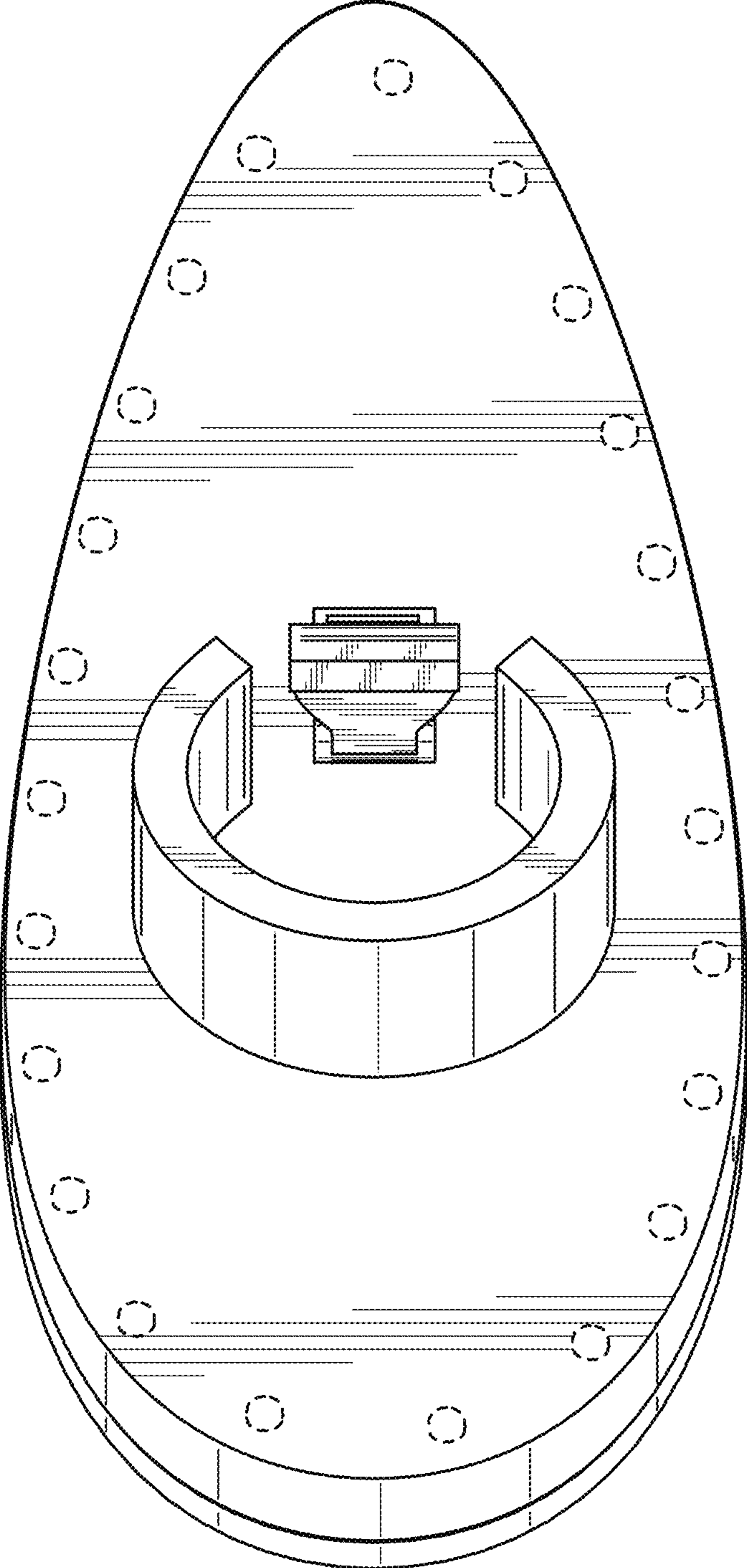


FIG. 1

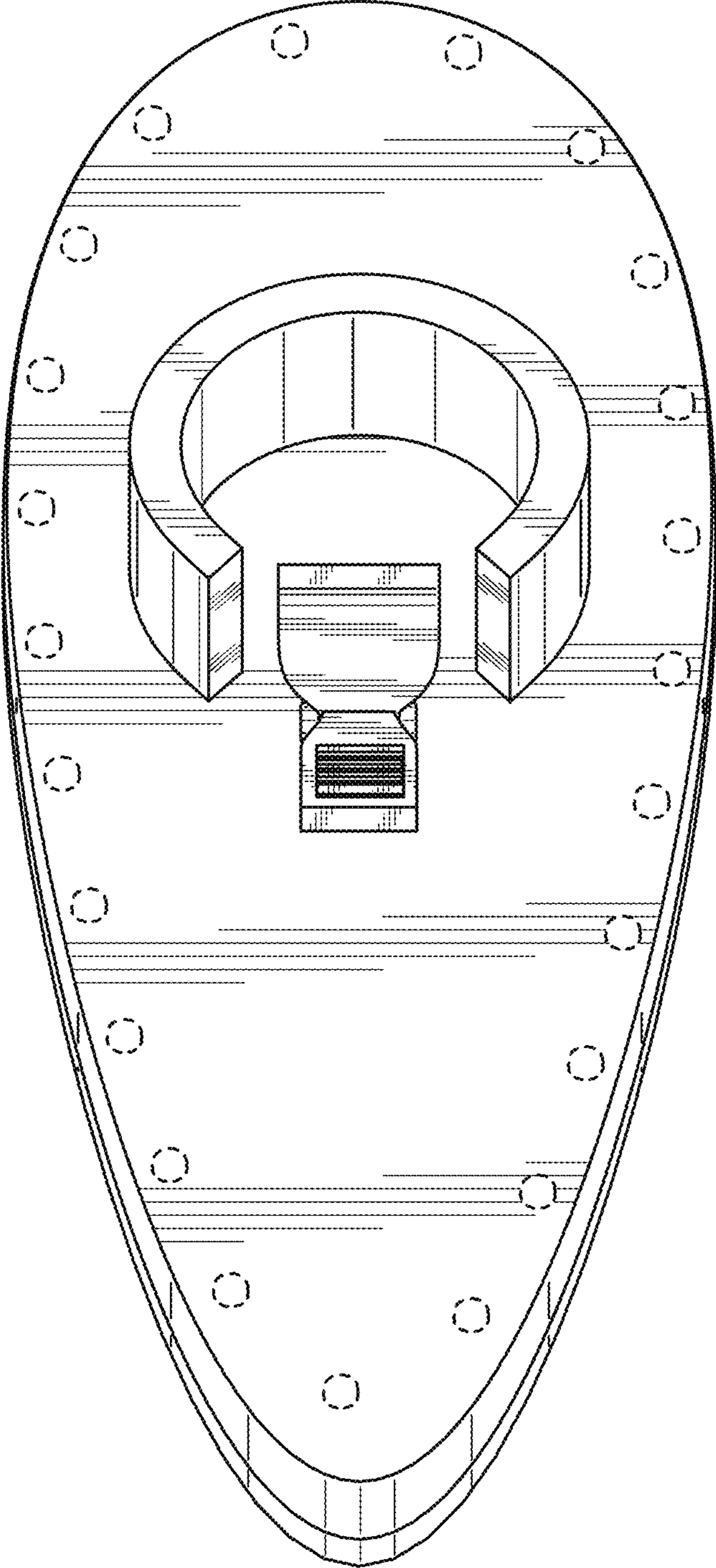


FIG. 2

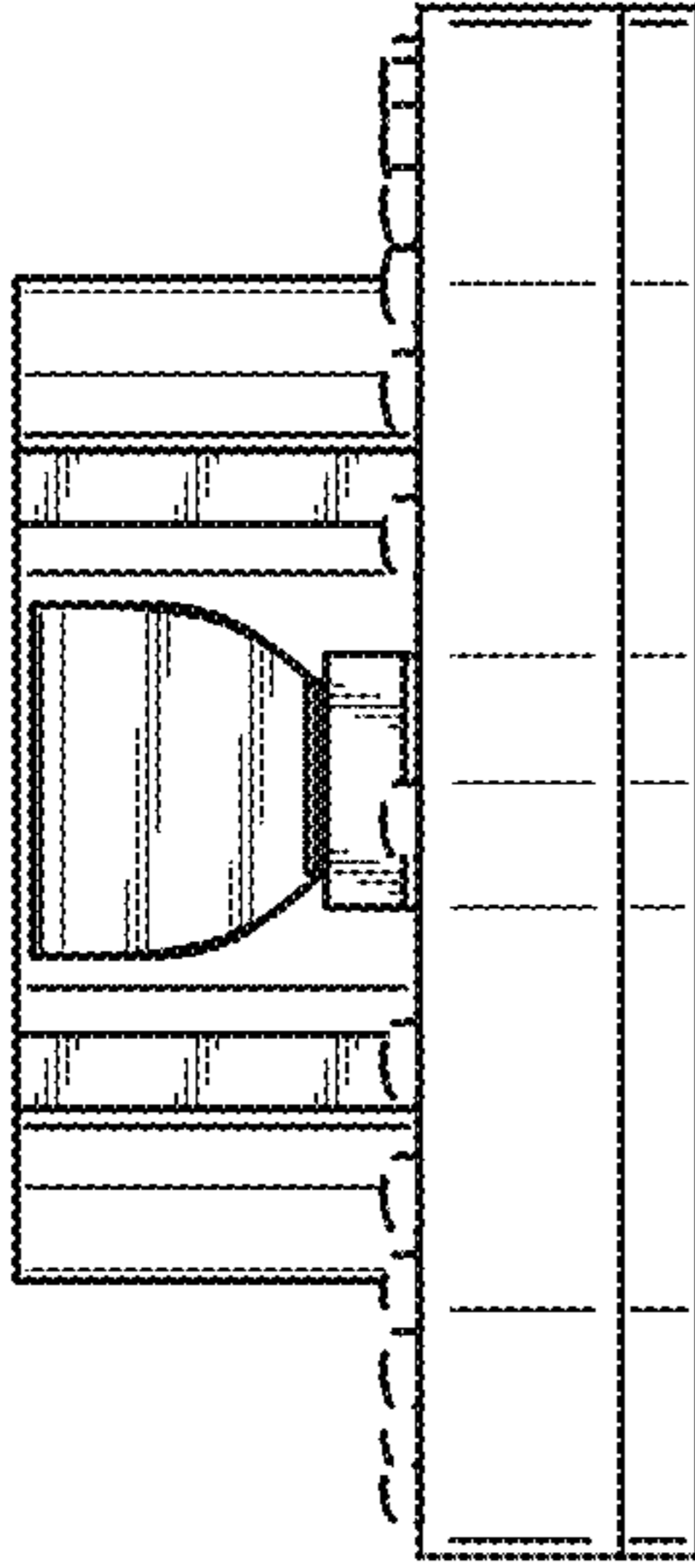


FIG. 3

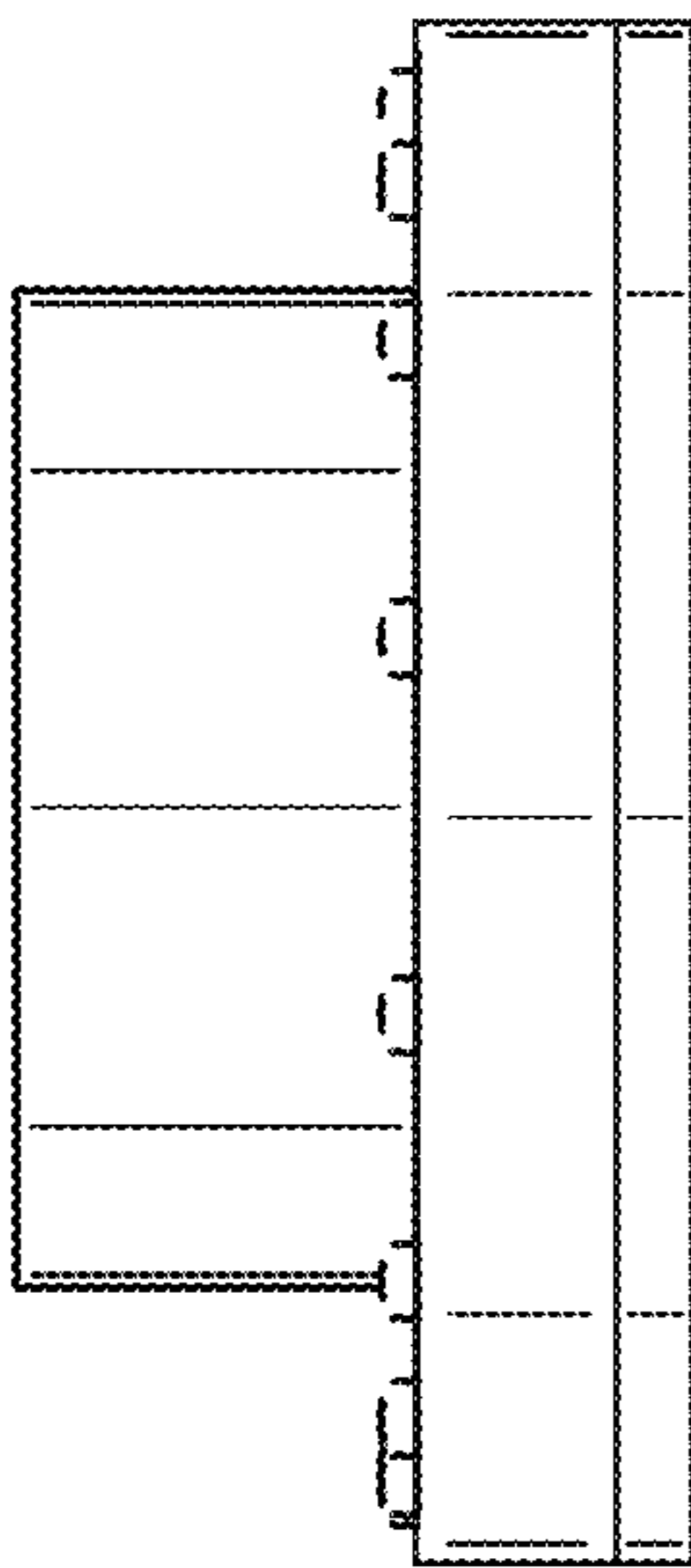


FIG. 4

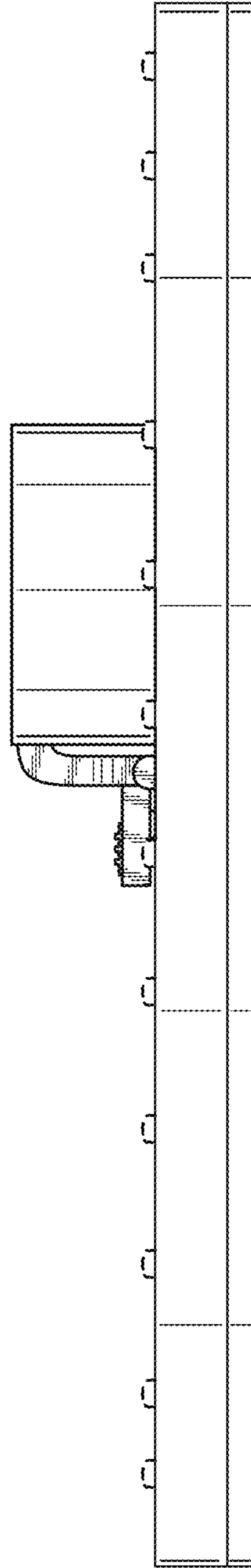


FIG. 5

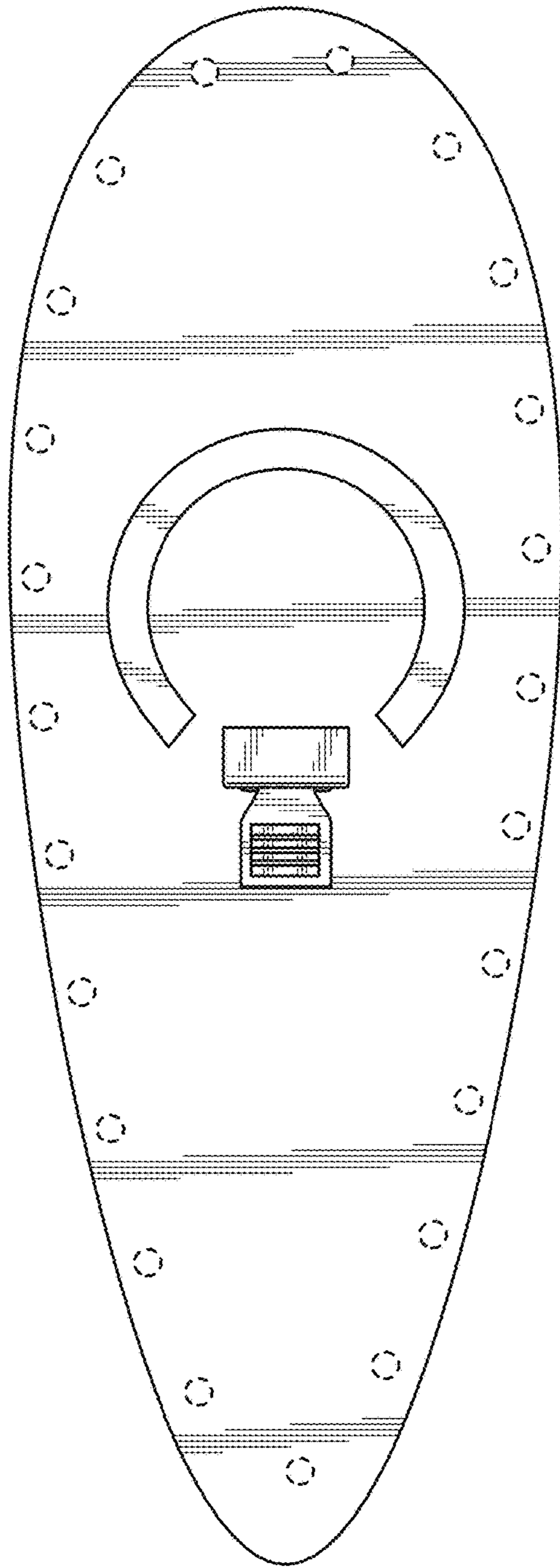


FIG. 6

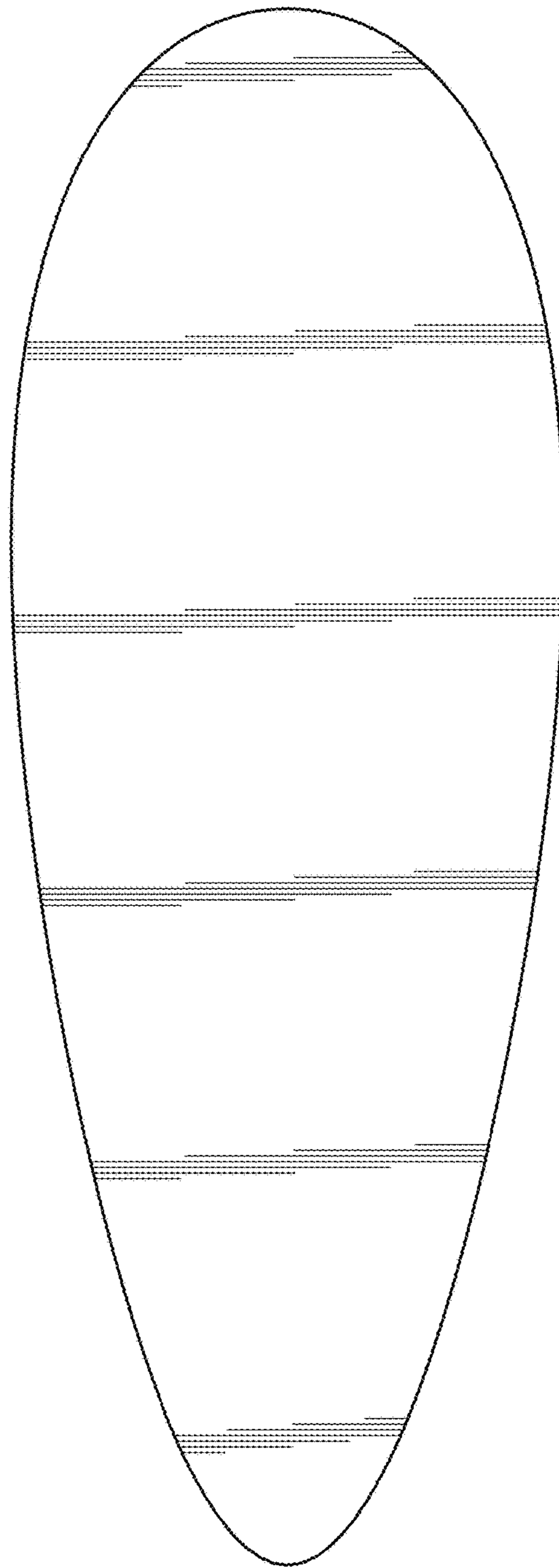


FIG. 7