

US00D800425S

(12) **United States Design Patent** (10) **Patent No.:** **US D800,425 S**
Schneider (45) **Date of Patent:** **** *Oct. 24, 2017**

- (54) **GARMENT**
- (71) Applicant: **NIKE, Inc.**, Beaverton, OR (US)
- (72) Inventor: **Johanna Schneider**, Beaverton, OR (US)
- (73) Assignee: **NIKE, Inc.**, Beaverton, OR (US)
- (*) Notice: This patent is subject to a terminal disclaimer.
- (**) Term: **15 Years**
- (21) Appl. No.: **29/564,884**
- (22) Filed: **May 16, 2016**
- (51) **LOC (10) Cl.** **02-02**
- (52) **U.S. Cl.**
USPC **D2/828**
- (58) **Field of Classification Search**
USPC D2/828–831, 833–834, 840–841,
D2/844–847, 850, 728, 749–750,
D2/753–755, 715–717; 2/84, 87, 90, 93,
2/96, 98, 100, 247, 236, 69
CPC . A41D 15/00; A41D 3/00; A41D 3/04; A41D
3/005; A41D 1/22; A41D 1/00; A41D
1/02; A41D 1/04; A41D 3/08; A41D
13/001; A41D 13/0512; A41D 13/0518;
A41D 13/00; A41D 13/11; A41D 27/10;
A41D 27/285; A41D 27/201; A41D
27/204
See application file for complete search history.

- D243,724 S * 3/1977 Schaefer D2/839
- 4,646,366 A * 3/1987 Nishida A41D 13/00
2/108
- D339,221 S * 9/1993 Olajide D2/839
- D391,196 S * 2/1998 Mellgren D11/121
- D458,733 S * 6/2002 Flippo D2/828
- D696,840 S * 1/2014 Brown D2/839
- D784,657 S * 4/2017 Adrovic D2/731

OTHER PUBLICATIONS

Nike Varsity Jacket with Back Pleat: https://www.farfetch.com/shopping/women/nike-varsity-jacket-item-11936838.aspx?fsb=1&storeId=10396&utm_source=J84DHJLQkR4&utm_medium=affiliate&utm_campaign=Linkshareus&utm_content=10&utm_term=USNetwork Copyright 2017. Found May 24, 2017.*

* cited by examiner

Primary Examiner — Eric L Goodman
Assistant Examiner — Amy C Wierenga
(74) *Attorney, Agent, or Firm* — Shook, Hardy & Bacon L.L.P.

(57) **CLAIM**

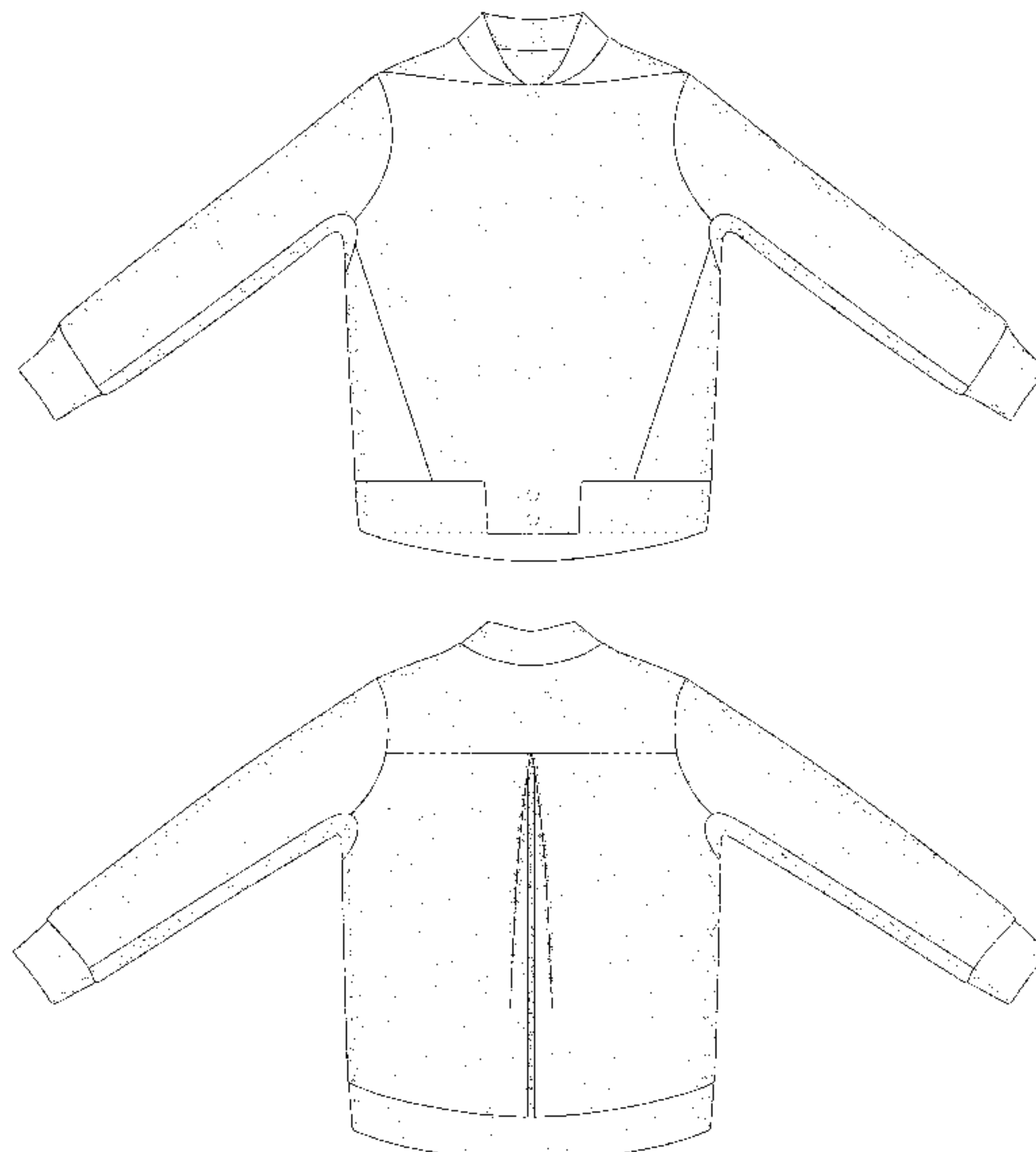
The ornamental design for a garment, as shown and described.

DESCRIPTION

FIG. 1 is a front view of a garment in a laid-flat configuration;
FIG. 2 is a back view thereof;
FIG. 3 is a bottom view thereof;
FIG. 4 is a top view thereof;
FIG. 5 is a left side view thereof; and,
FIG. 6 is a right side view thereof.
The evenly spaced broken lines shown in the drawings depict environment only and form no part of the claimed design.

1 Claim, 4 Drawing Sheets

- (56) **References Cited**
U.S. PATENT DOCUMENTS
1,906,912 A * 5/1933 Lockwood A41B 1/02
2/103
D110,663 S * 7/1938 Riordan D2/839
D220,822 S * 5/1971 De Wan D2/828



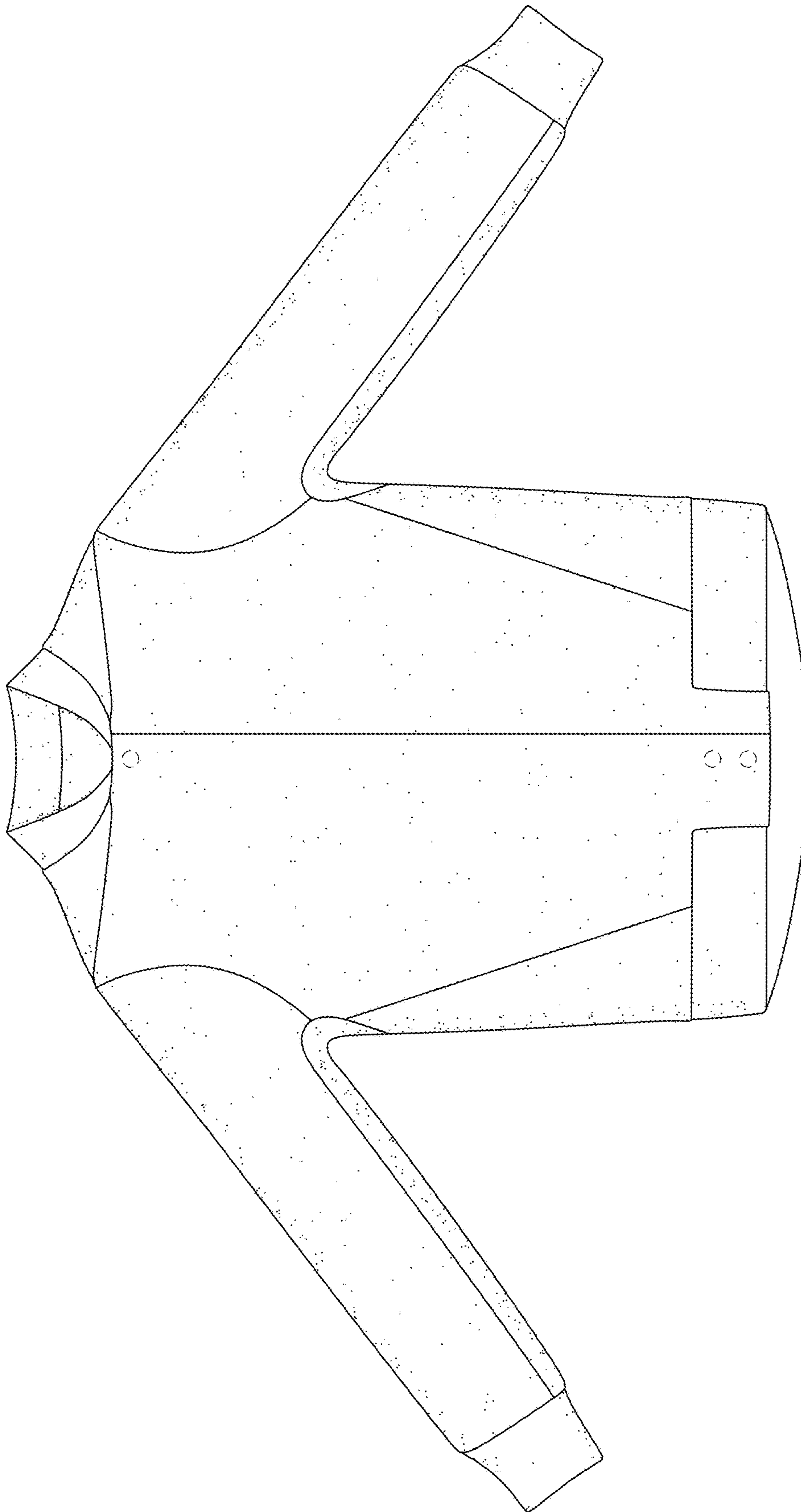


FIG. 1

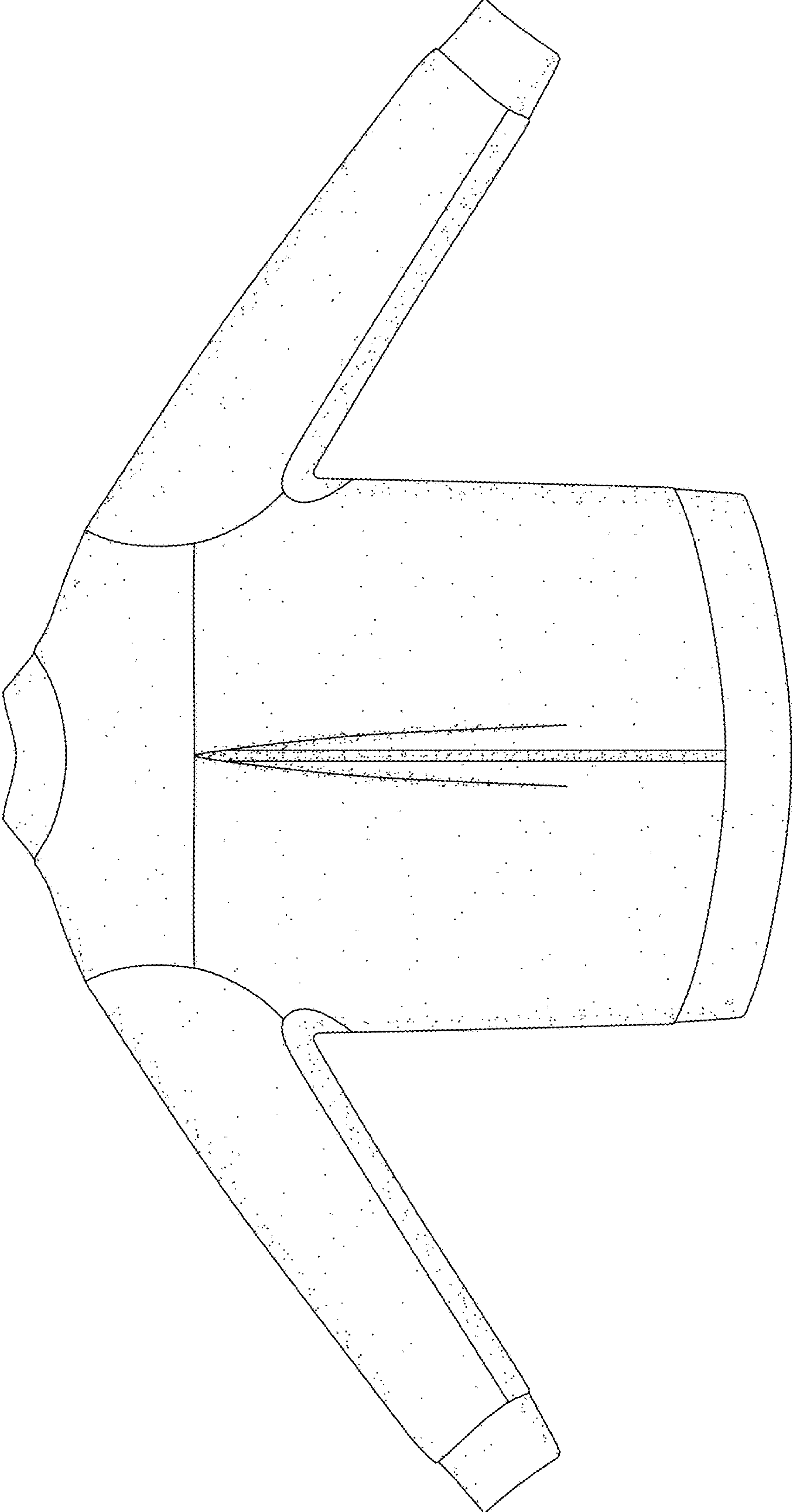


FIG. 2



FIG. 3



FIG. 4

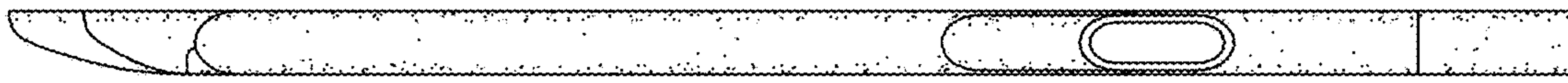


FIG. 5

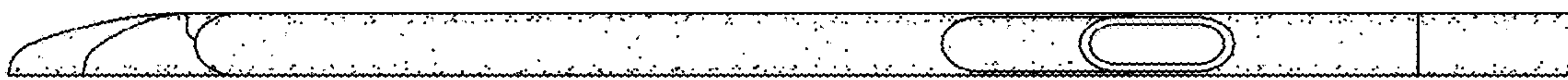


FIG. 6