

US00D800424S

(12) **United States Design Patent**  
**Lomax**

(10) **Patent No.:** **US D800,424 S**  
(45) **Date of Patent:** **\*\* Oct. 24, 2017**

(54) **GARMENT**  
(71) Applicant: **NIKE, Inc.**, Beaverton, OR (US)  
(72) Inventor: **Jessica Lomax**, Portland, OR (US)  
(73) Assignee: **NIKE, Inc.**, Beaverton, OR (US)  
(\*\*) Term: **15 Years**  
(21) Appl. No.: **29/562,363**  
(22) Filed: **Apr. 25, 2016**  
(51) **LOC (10) Cl.** ..... **02-02**  
(52) **U.S. Cl.**  
USPC ..... **D2/828**  
(58) **Field of Classification Search**  
USPC ..... D2/828–831, 833–834, 836, 839–841,  
D2/844–847, 850, 715–717, 728,  
D2/749–751, 753–755; 2/69, 84, 87, 90,  
2/93, 96, 98, 100, 108, 125, 128, 129,  
2/236, 247; D5/47, 57  
CPC . A41D 15/00; A41D 3/00; A41D 3/04; A41D  
3/005; A41D 3/08; A41D 13/001; A41D  
13/0512; A41D 13/0518; A41D 13/00;  
A41D 13/11; A41D 27/10; A41D 27/285;  
A41D 27/201; A41D 27/204; A41D 1/22;  
A41D 1/00  
See application file for complete search history.

(56) **References Cited**

**U.S. PATENT DOCUMENTS**

D109,864 S \* 5/1938 Weisberger ..... D5/47  
D117,191 S \* 10/1939 Mostertz ..... D5/47  
D128,667 S \* 8/1941 Kalman ..... D5/47  
D161,369 S \* 12/1950 Petzold ..... D5/47  
D162,572 S \* 3/1951 Orloff ..... D2/846  
D182,898 S \* 5/1958 Howell ..... D5/47  
D182,904 S \* 5/1958 Kerkovius ..... D5/47  
D206,367 S \* 11/1966 Hughes ..... 112/410

4,000,342 A \* 12/1976 Rochelle ..... D06C 23/02  
26/29 R  
4,608,715 A \* 9/1986 Miller ..... A41D 27/285  
2/1  
D580,633 S \* 11/2008 Cross ..... D2/840  
D714,525 S \* 10/2014 Payne ..... D2/828  
D714,527 S \* 10/2014 Borovicka ..... D2/839  
D742,622 S \* 11/2015 Oygarden ..... D2/830  
2008/0289078 A1 \* 11/2008 Mather ..... A41D 1/04  
2/85  
2017/0065005 A1 \* 3/2017 Nordstrom ..... A41D 13/002  
\* cited by examiner

*Primary Examiner* — Eric L Goodman  
*Assistant Examiner* — Amy C Wierenga  
(74) *Attorney, Agent, or Firm* — Shook, Hardy & Bacon  
L.L.P.

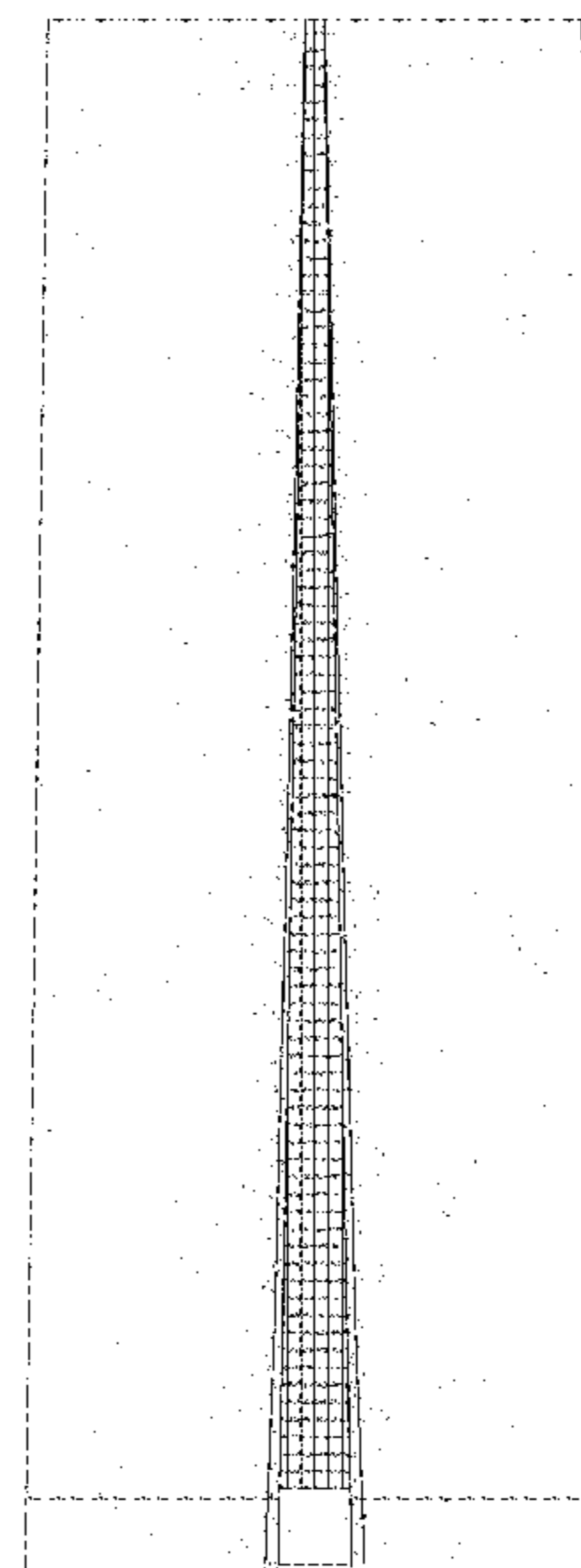
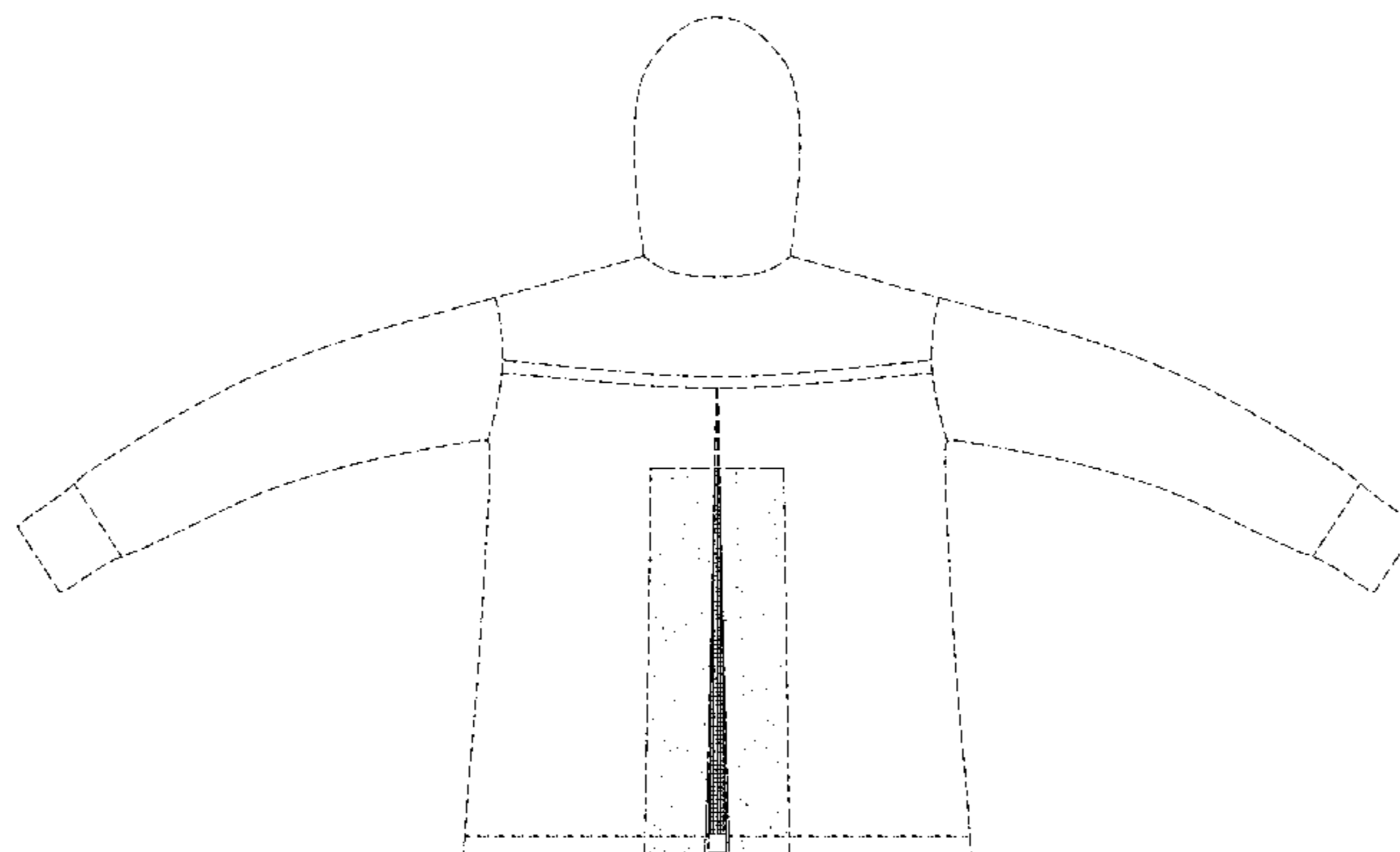
(57) **CLAIM**

The ornamental design for a garment, as shown and described.

**DESCRIPTION**

FIG. 1 is a back view of a garment in a first configuration according to the present design;  
FIG. 2 is a magnified view of the claimed portion depicted in FIG. 1 by uneven broken lines;  
FIG. 3 is a back view of the garment of FIG. 1 in a second configuration;  
FIG. 4 is a magnified view of the claimed portion depicted in FIG. 3 by uneven broken lines; and,  
FIG. 5 is a magnified view of callout area 5 of the garment taken from FIG. 4.  
The evenly spaced broken lines shown in the drawings depict environment only and form no part of the claimed design.  
The long and short broken lines depict boundary lines that form no part of the claim.

**1 Claim, 4 Drawing Sheets**



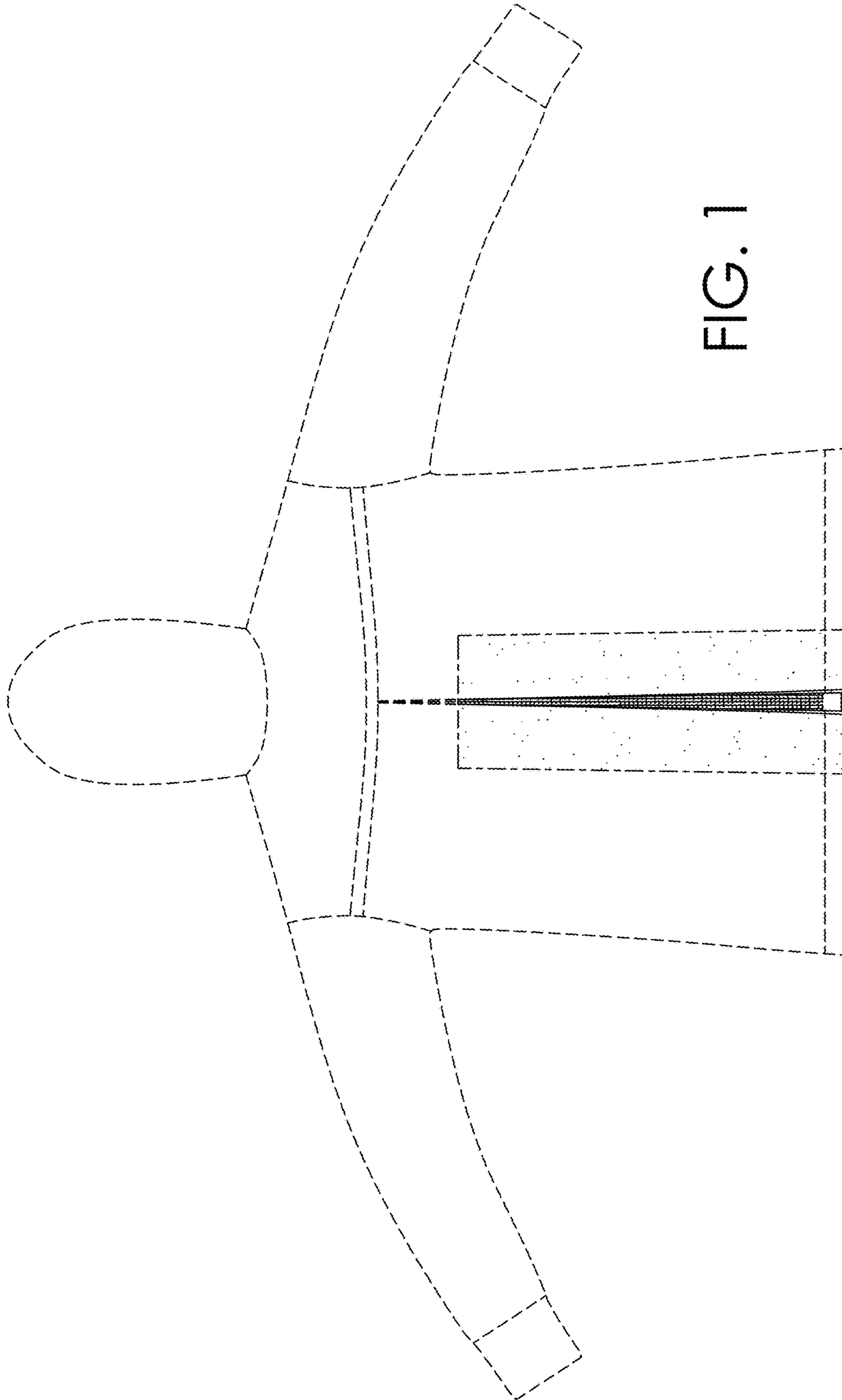


FIG. 1

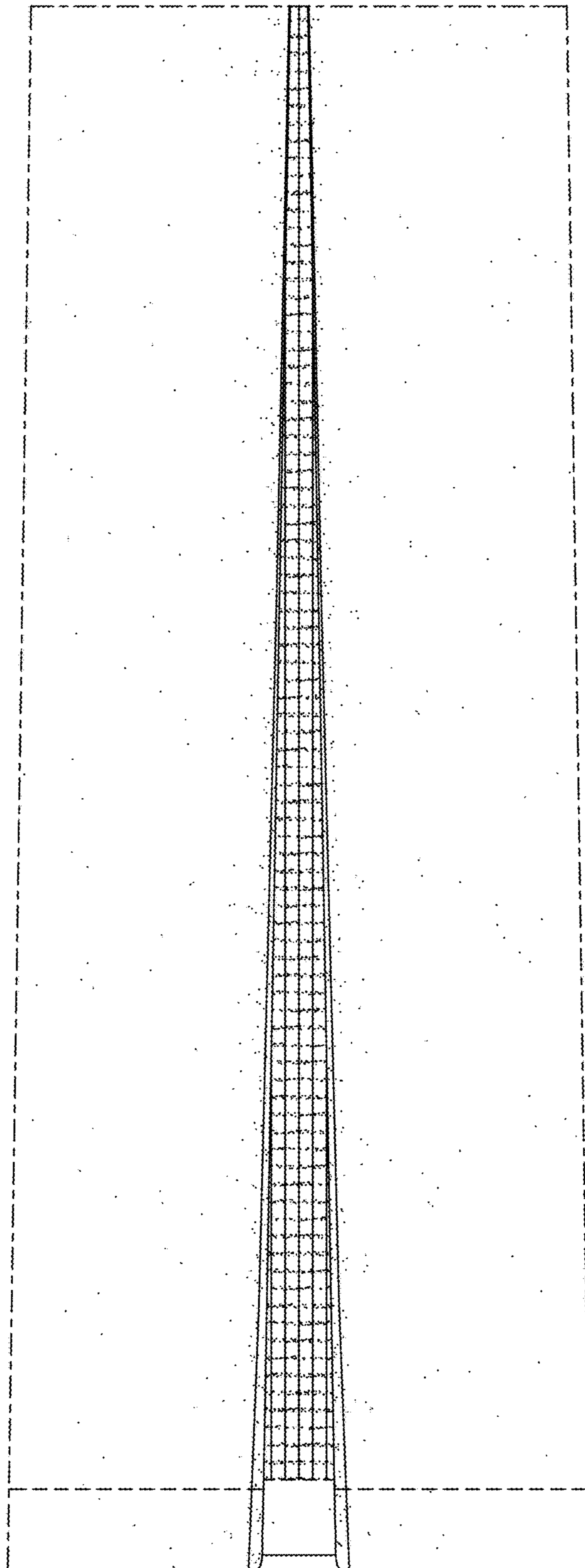


FIG. 2

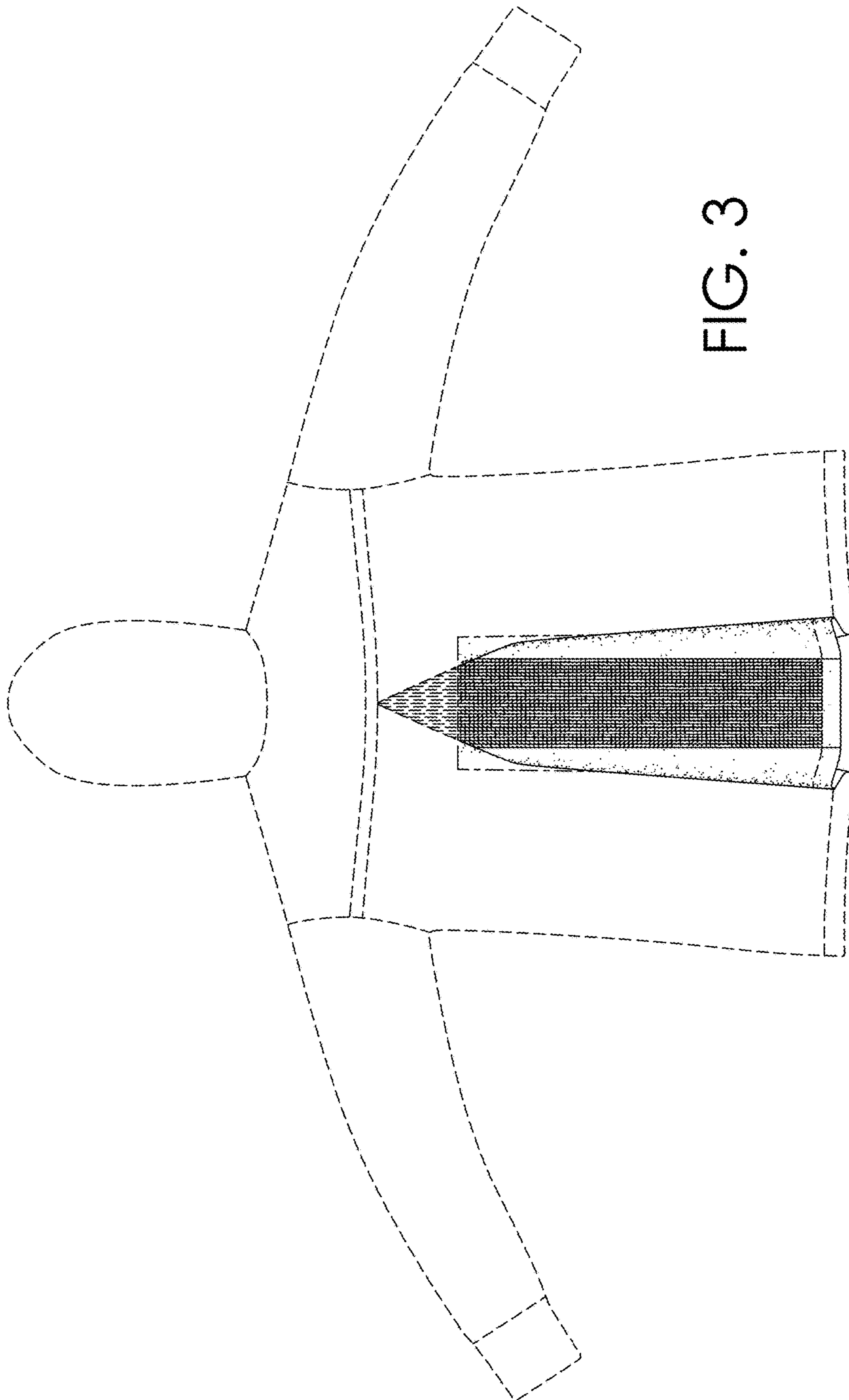


FIG. 3

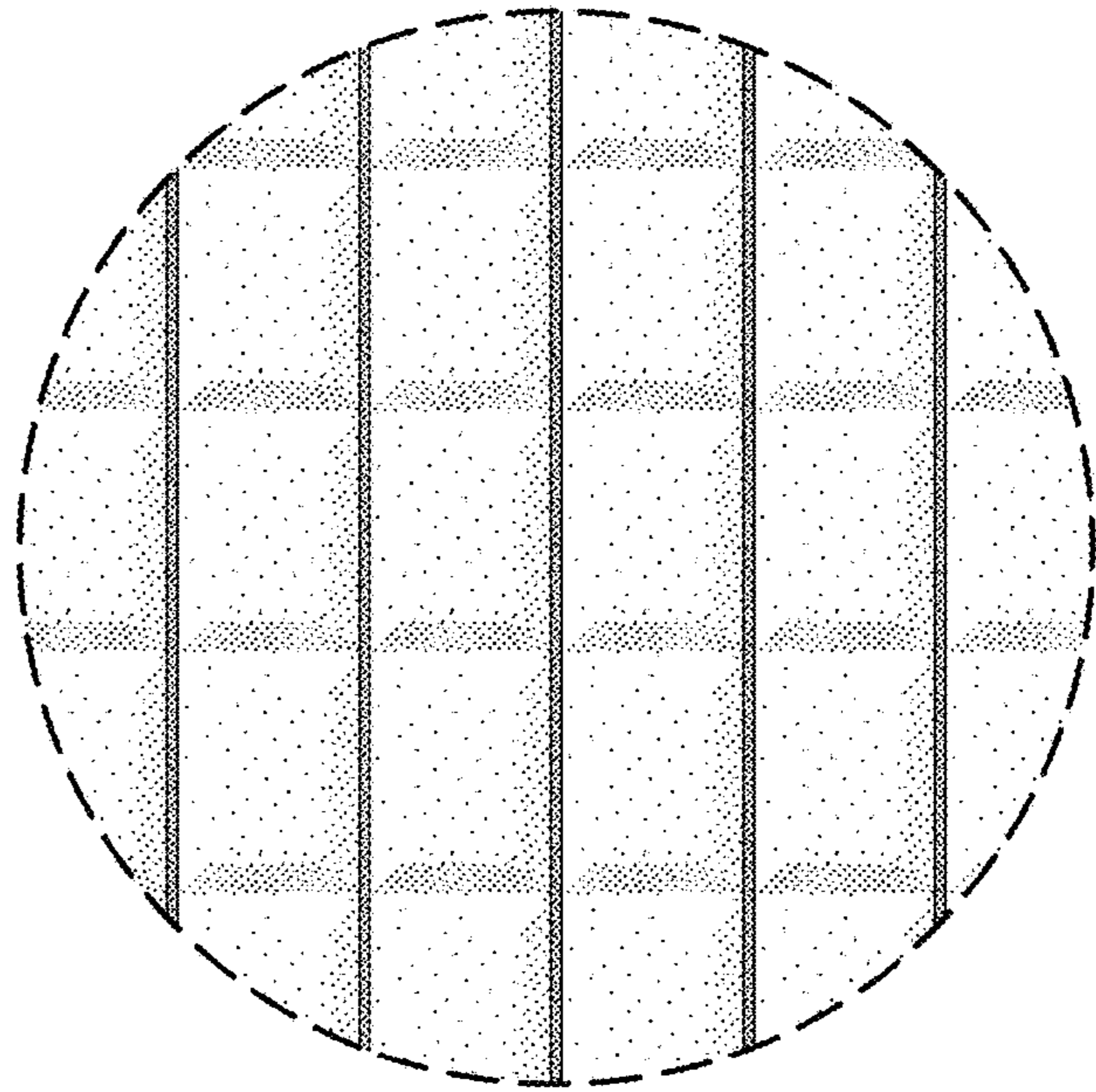


FIG. 5

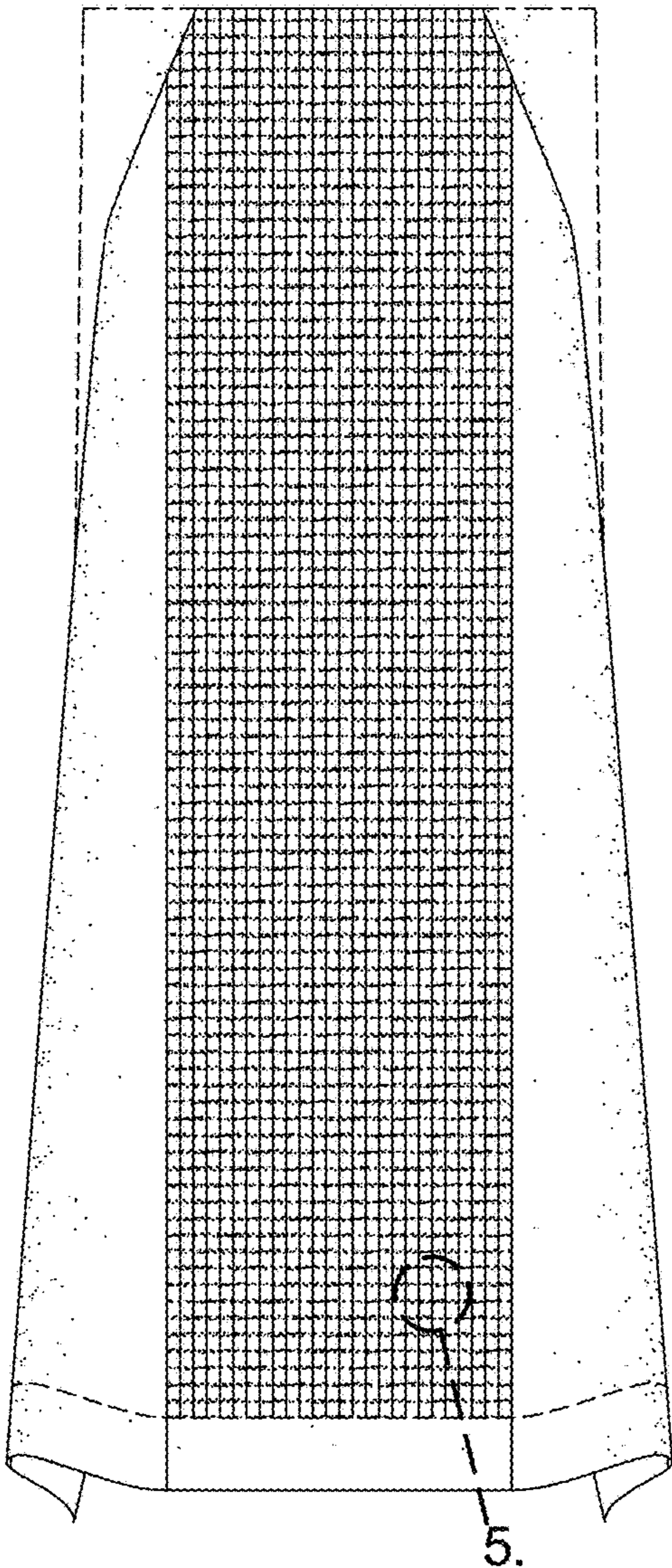


FIG. 4