



US00D800420S

(12) **United States Design Patent** (10) **Patent No.:** **US D800,420 S**
Rivera (45) **Date of Patent:** **** Oct. 24, 2017**

(54) **PADDED ARM COMPRESSION SLEEVE**

D293,495 S * 12/1987 Berryman D2/732
D296,595 S * 7/1988 Flosi D29/101.3
5,031,240 A * 7/1991 Nierhaus A41D 13/0568
2/24

(71) Applicant: **Obstacle Guard LLC**, Cranford, NJ
(US)

(Continued)

(72) Inventor: **Michael Rivera**, Cranford, NJ (US)

FOREIGN PATENT DOCUMENTS

(73) Assignee: **OBSTACLE GUARD LLC**, Cranford,
NJ (US)

EM 00243846-001 * 5/2014
WO 0072708 A1 12/2000

(**) Term: **15 Years**

OTHER PUBLICATIONS

(21) Appl. No.: **29/544,505**

Core Compression Sleeve, Announced Nov. 27, 2012 [Site Visited
Aug. 4, 2016]<https://www.shockdoctor.com/core-compression-sleeve-42>.*

(22) Filed: **Nov. 4, 2015**

(Continued)

Related U.S. Application Data

(63) Continuation-in-part of application No. 14/789,845,
filed on Jul. 1, 2015.

(51) **LOC (10) Cl.** **02-02**

(52) **U.S. Cl.**
USPC **D2/731**

(58) **Field of Classification Search**
USPC D2/731, 732, 840; D29/101.3, 100, 120,
D29/121.1; 2/24, 227, 125, 16; 602/6,
602/75

CPC A63B 71/11225; A41D 13/0568; A41D
1/08; A41D 13/06; A41D 19/01523; A61F
13/04; A61F 9/005; A61F 5/0169

See application file for complete search history.

Primary Examiner — Eric Goodman

Assistant Examiner — Amy Wierenga

(74) *Attorney, Agent, or Firm* — Henry J. Cittone; Cittone
& Chinta LLP

(57) **CLAIM**

The ornamental design for a padded arm compression
sleeve, as described.

DESCRIPTION

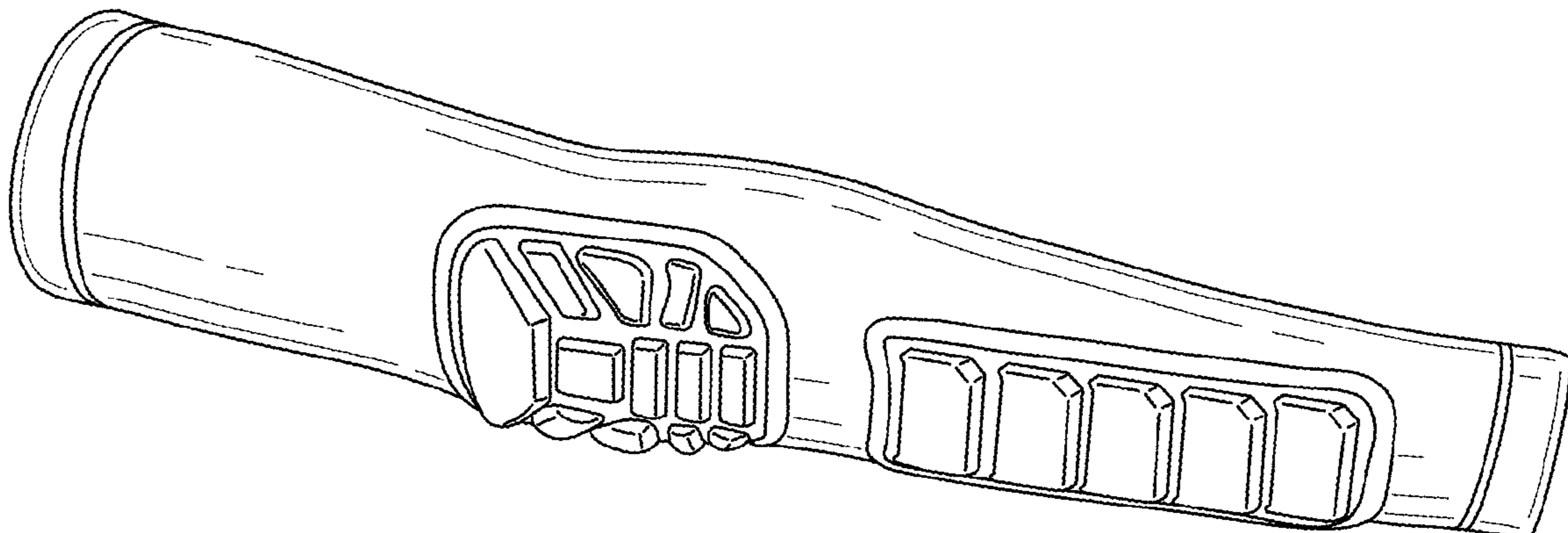
FIG. 1 is a perspective view from below of padded arm
compression sleeve, showing my new design; and
FIG. 2 is front view thereof;
FIG. 3 is a back view thereof;
FIG. 4 is a side view thereof;
FIG. 5 is a side view thereof;
FIG. 6 is a top view thereof;
FIG. 7 is a bottom view thereof; and,
FIG. 8 is a perspective view from the side thereof.
The broken line illustration of environmental and other
structures in the drawings are not part of the design sought
to be patented.

(56) **References Cited**

U.S. PATENT DOCUMENTS

1,420,361 A 6/1922 Bennett
2,552,177 A 5/1951 Hurt
3,266,058 A 8/1966 Guttman
3,322,118 A 5/1967 Sotherlin
4,068,312 A * 1/1978 Ledesma A63B 71/1225
2/24
4,150,442 A 4/1979 Boone
D270,776 S * 10/1983 Dawson D29/100
4,688,269 A 8/1987 Maeshima

1 Claim, 5 Drawing Sheets



(56)

References Cited

U.S. PATENT DOCUMENTS

5,077,837 A 1/1992 Meistrell
 5,418,980 A 5/1995 Kelly
 5,551,082 A * 9/1996 Stewart A41D 1/08
 2/227
 D402,420 S * 12/1998 Roberts D29/120.1
 5,890,224 A 4/1999 Clark
 5,974,586 A * 11/1999 Reinoso A41D 13/08
 2/125
 D420,467 S 2/2000 Breitbach
 6,092,235 A 7/2000 Santa Cruz
 D431,693 S 10/2000 Urquhart
 6,158,051 A * 12/2000 Belzidsky A41D 13/06
 2/16
 6,192,519 B1 2/2001 Coalter
 6,223,350 B1 * 5/2001 McFarlane A41D 13/0568
 2/24
 6,279,160 B1 8/2001 Chen
 D454,231 S * 3/2002 McFarlane D29/121.1
 6,775,844 B1 * 8/2004 Castillo A41D 13/08
 2/16
 6,880,172 B2 4/2005 Quintero
 6,918,148 B2 7/2005 Auxila
 D535,808 S 1/2007 Beland
 D548,892 S * 8/2007 Wilson D29/120.1
 D551,351 S * 9/2007 Silva D24/190
 7,275,268 B2 * 10/2007 Gait A41D 19/01523
 2/16
 D559,466 S * 1/2008 Crossman D29/100
 7,314,457 B2 * 1/2008 Reaux A61F 13/04
 602/6
 D573,312 S 7/2008 Siepmann
 7,578,004 B2 8/2009 Loyens
 D639,514 S * 6/2011 Lewis D29/120.1
 D640,013 S * 6/2011 Lewis D29/120.1
 8,181,271 B2 * 5/2012 Sasaki A41D 13/0568
 2/24
 D668,396 S 10/2012 Shamis
 D683,908 S 6/2013 Pasloski
 D689,191 S 9/2013 Devito
 D693,559 S 11/2013 Gregoire
 8,667,613 B2 3/2014 Blakely
 8,850,616 B1 10/2014 Hoover
 D720,918 S * 1/2015 Best D2/840
 D728,112 S 4/2015 Higgins

9,352,531 B2 5/2016 Berns
 2002/0007509 A1 1/2002 Kamada
 2002/0029012 A1 3/2002 Gardon-Mollard
 2004/0255356 A1 12/2004 Lesosky
 2006/0079824 A1 4/2006 Munch-Fals
 2007/0118946 A1 5/2007 Spies
 2008/0000002 A1 1/2008 Carrington
 2009/0025126 A1 1/2009 Crossman
 2009/0113593 A1 5/2009 Mastronardi
 2010/0056973 A1 3/2010 Farrow
 2010/0287690 A1 11/2010 Kanavage
 2010/0312160 A1 12/2010 Creighton
 2011/0056004 A1 3/2011 Landi
 2011/0167529 A1 7/2011 Anderson
 2012/0010551 A1 * 1/2012 Farrow A61H 9/005
 602/75
 2012/0180181 A1 7/2012 Best
 2012/0240317 A1 9/2012 Diamond
 2013/0017933 A1 1/2013 Foster
 2013/0198922 A1 8/2013 Wittman
 2013/0227755 A1 9/2013 Bisailon
 2013/0283491 A1 10/2013 Clement
 2014/0100502 A1 * 4/2014 Chandler, Jr. A61F 5/0109
 602/26
 2014/0115747 A1 5/2014 Spruill

OTHER PUBLICATIONS

Firma Energy: Arm Sleeve Compression Band, Announced Nov. 4, 2014 [Site Visited Aug. 4, 2016] <http://www.firmaenergywear.com/product/arm-sleeve-compression-band/>.
 Alleson Bounce Shooters Padded Compression Sleeve—closeout, Announced Feb. 11, 2014 [Site Visited Aug. 4, 2016] <http://basketball.epicsports.com/prod/90197/index.html>.
 Caribbean Arm Sleeves <http://store.runningshirts.com/caribbean-arm-sleeves> accessed on Jan. 22, 2015.
 Kimberly Bogin RecoFit Shin-Splint Therapy Compression Sleeves, <http://www.examiner.com/review/recofit-compression-sleeves-with-icing-pockets-help-runners-kick-shin-splints> accessed on Jan. 22, 2015.
 Alchemy Arm Sleeve—Pair <http://110playharder.com/products/alchemy-arm-sleeve-pair/> accessed on Jan. 22, 2015.
 Apocalypse Equipped, Announced May 4, 2014 [site visited May 29, 2014] http://apocalypseequipped.blogspot.com/2014_05_01archive.html.

* cited by examiner

FIG. 1

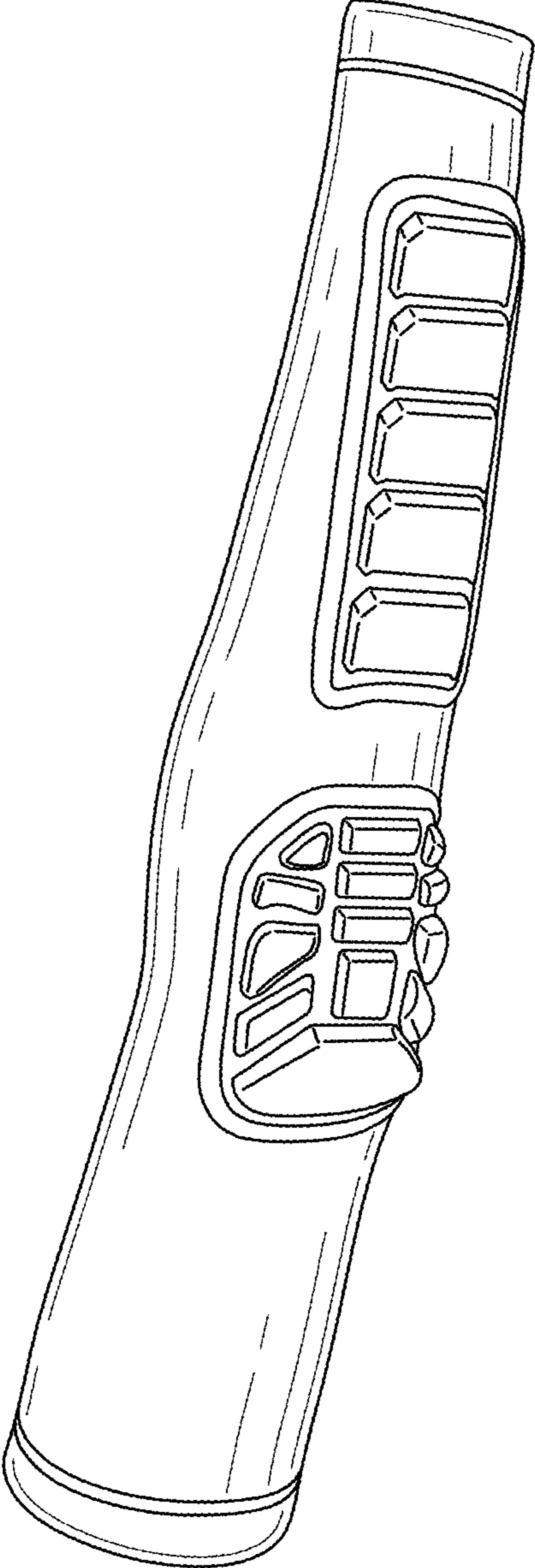


FIG. 2

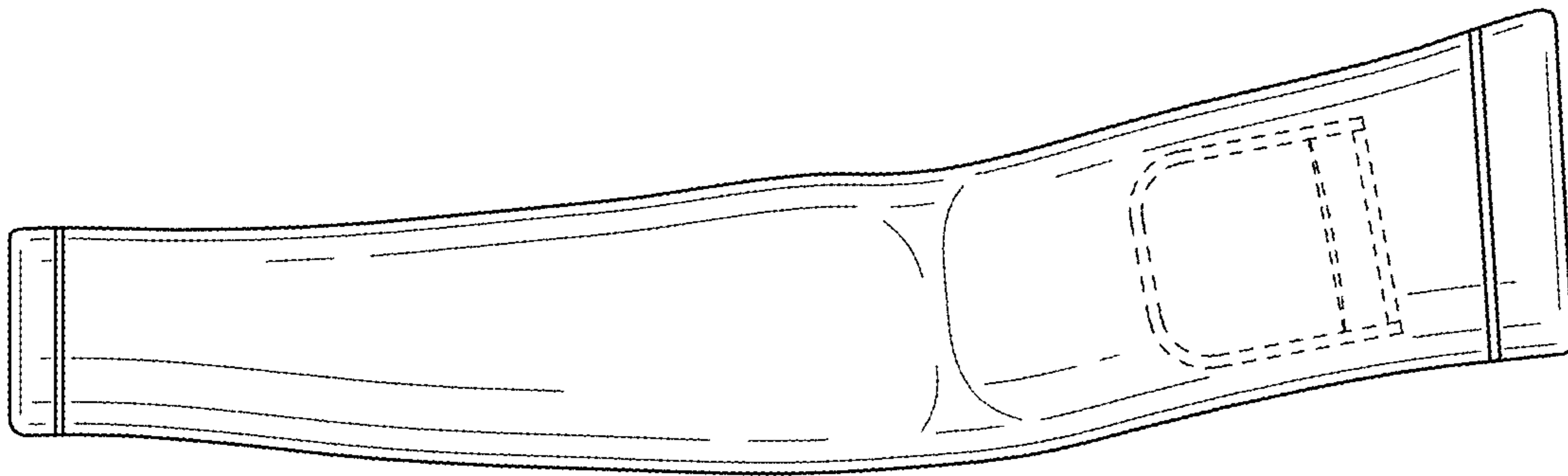


FIG. 3

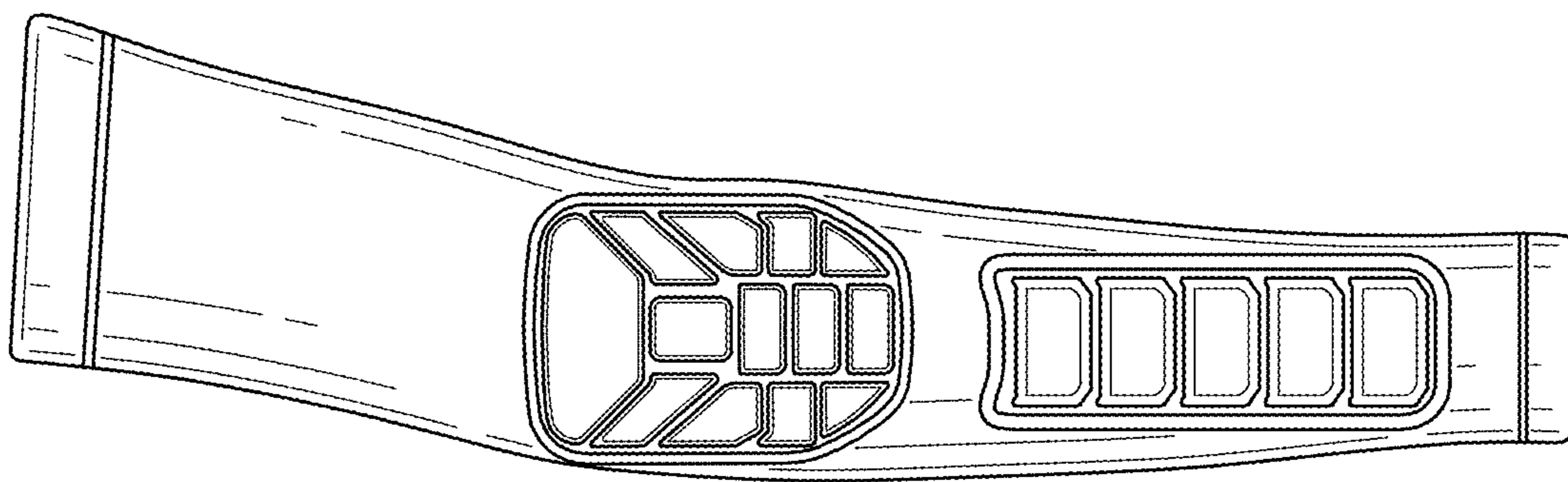


FIG. 4

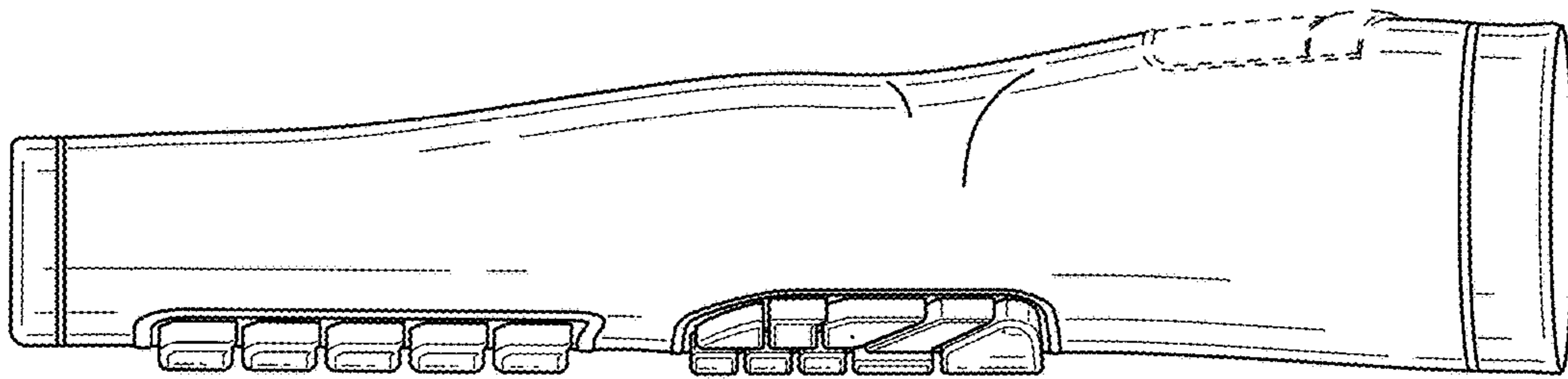


FIG. 5

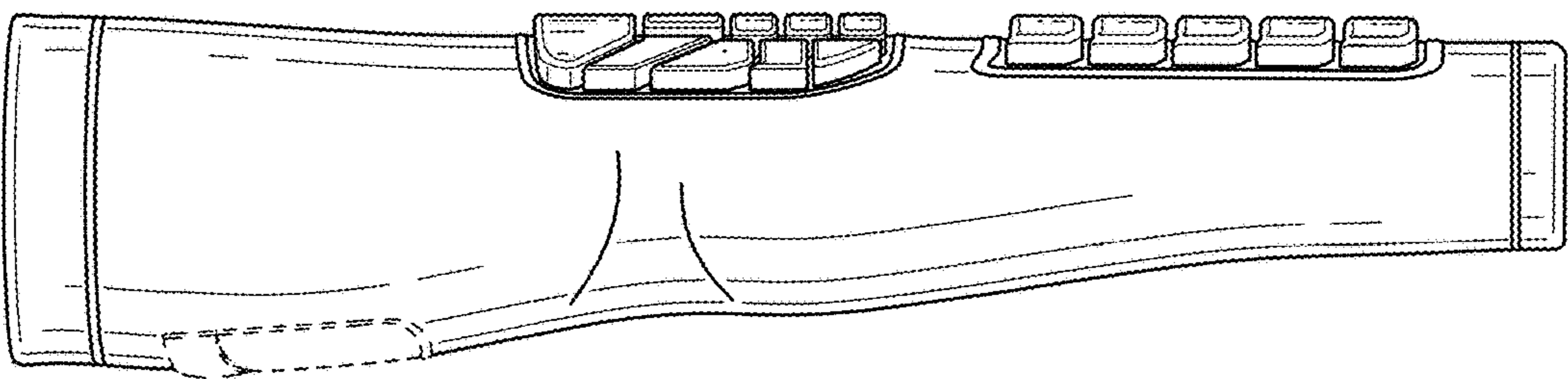


FIG. 6

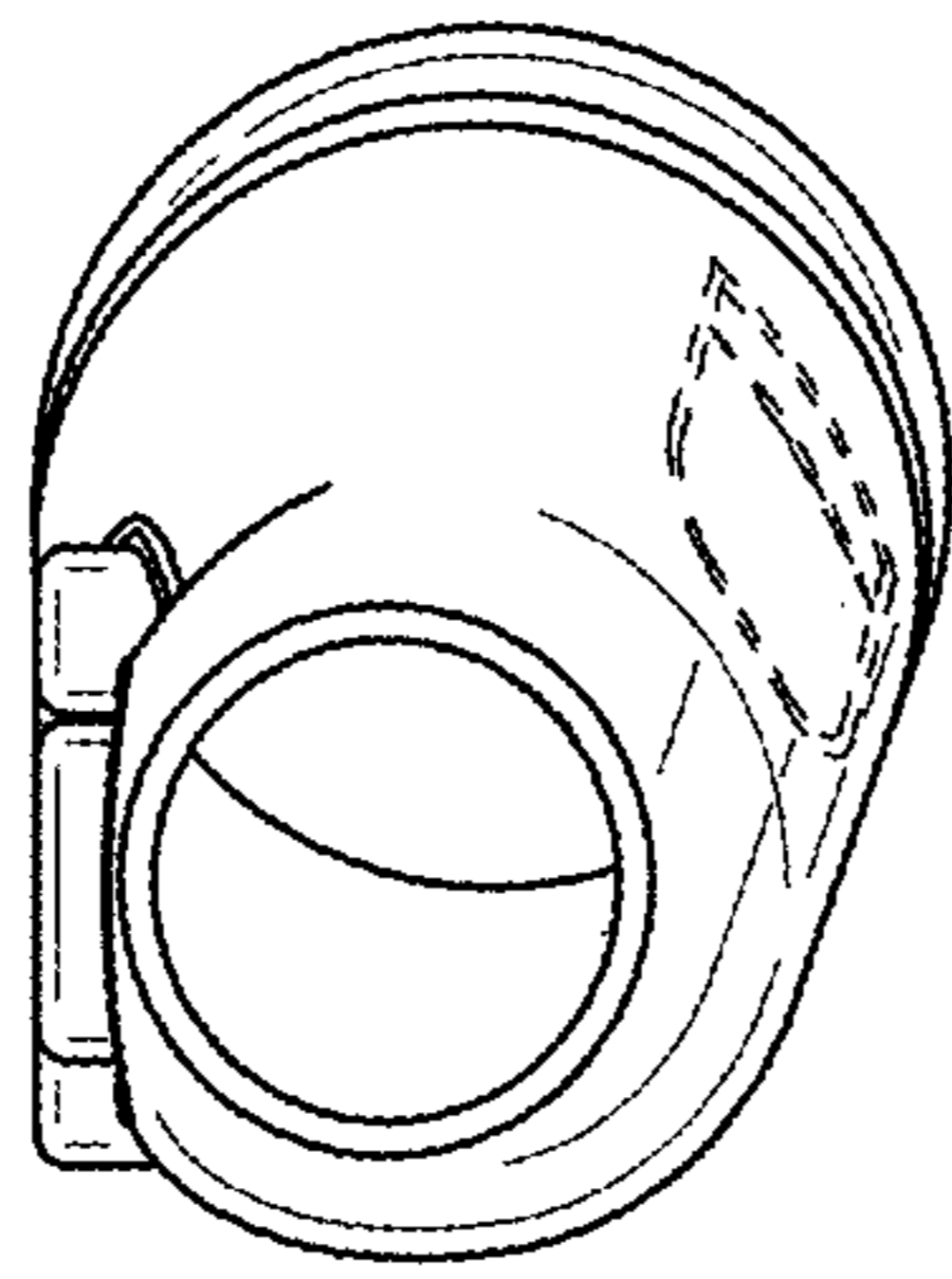


FIG. 7

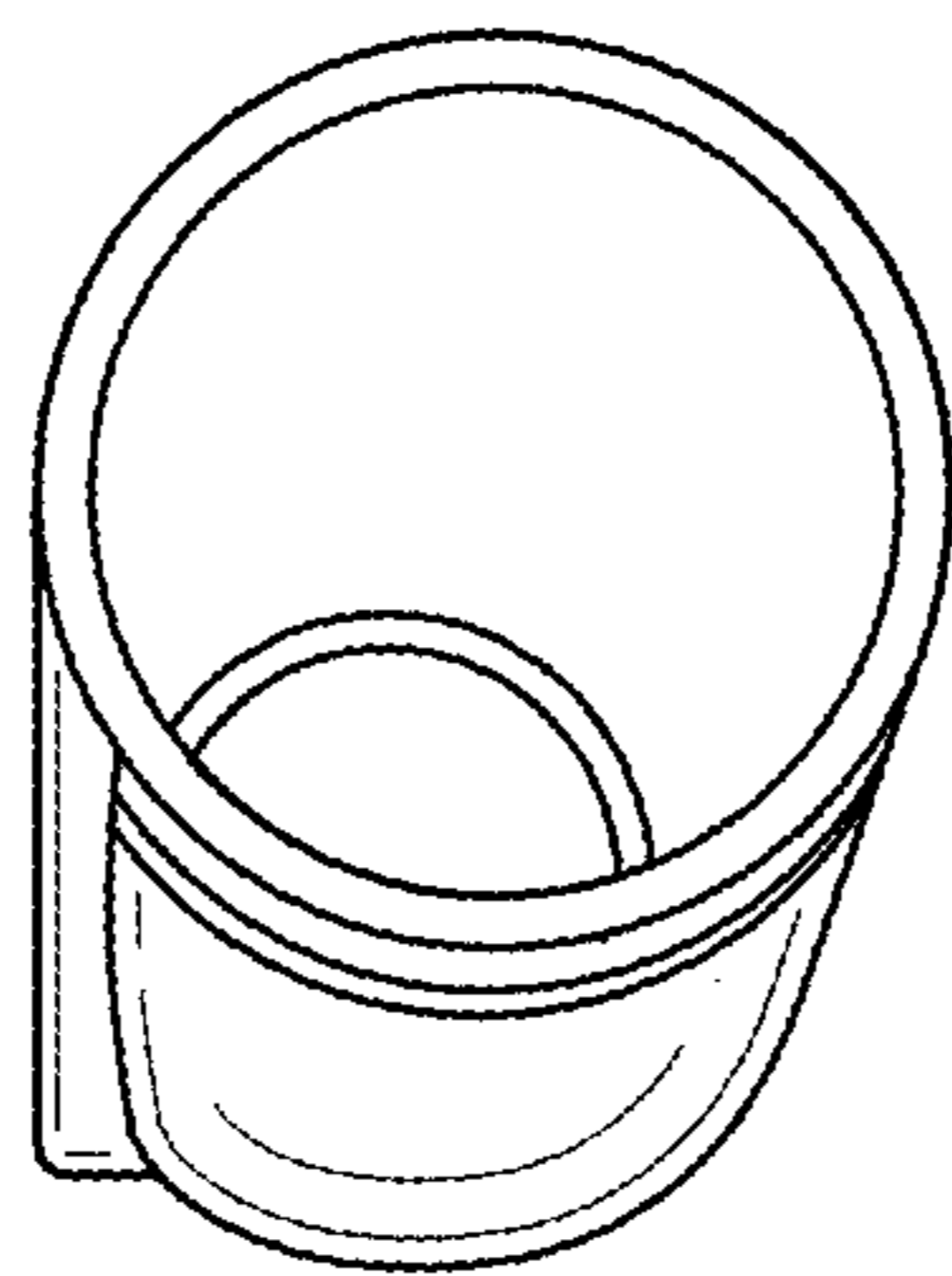


FIG. 8

