



US00D800419S

(12) **United States Design Patent** (10) **Patent No.:** **US D800,419 S**
Ingram (45) **Date of Patent:** **** Oct. 24, 2017**

(54) **GARMENT**

(71) Applicant: **NIKE, Inc.**, Beaverton, OR (US)

(72) Inventor: **Jeffrey K. Ingram**, Portland, OR (US)

(73) Assignee: **NIKE, Inc.**, Beaverton, OR (US)

(**) Term: **15 Years**

(21) Appl. No.: **29/571,675**

(22) Filed: **Jul. 20, 2016**

(51) **LOC (10) Cl.** **02-02**

(52) **U.S. Cl.**
USPC **D2/728; D2/731**

(58) **Field of Classification Search**
USPC D2/728, 750, 759-760, 769, 782, 731;
D5/1, 34
CPC ... A41D 1/00; A41D 1/02; A41D 1/04; A41D
3/00; A41D 27/201; A41D 2300/322;
A41D 2300/30
See application file for complete search history.

(56) **References Cited**

U.S. PATENT DOCUMENTS

D99,619 S	*	5/1936	Daniels	D5/1
D259,746 S	*	7/1981	Dahlgard	D2/750
D506,303 S	*	6/2005	Rocha	2/69
D627,950 S	*	11/2010	Carpentier	D2/750
D744,199 S	*	12/2015	Roscoe	D2/750
D745,250 S	*	12/2015	McClain	D2/731
D745,769 S	*	12/2015	Borovicka	D2/750
D763,582 S	*	8/2016	McClain	D5/1
D770,129 S	*	11/2016	Lomax	D2/731
D772,534 S	*	11/2016	Borovicka	D2/731
D784,657 S	*	4/2017	Adrovic	D2/731
D784,706 S	*	4/2017	McClain	D5/1
D787,160 S	*	5/2017	Crowe	D2/750

(Continued)

Primary Examiner — Robin V Webster
Assistant Examiner — James C Thorn, Sr.

(74) *Attorney, Agent, or Firm* — Shook, Hardy and Bacon L.L.P.

(57) **CLAIM**

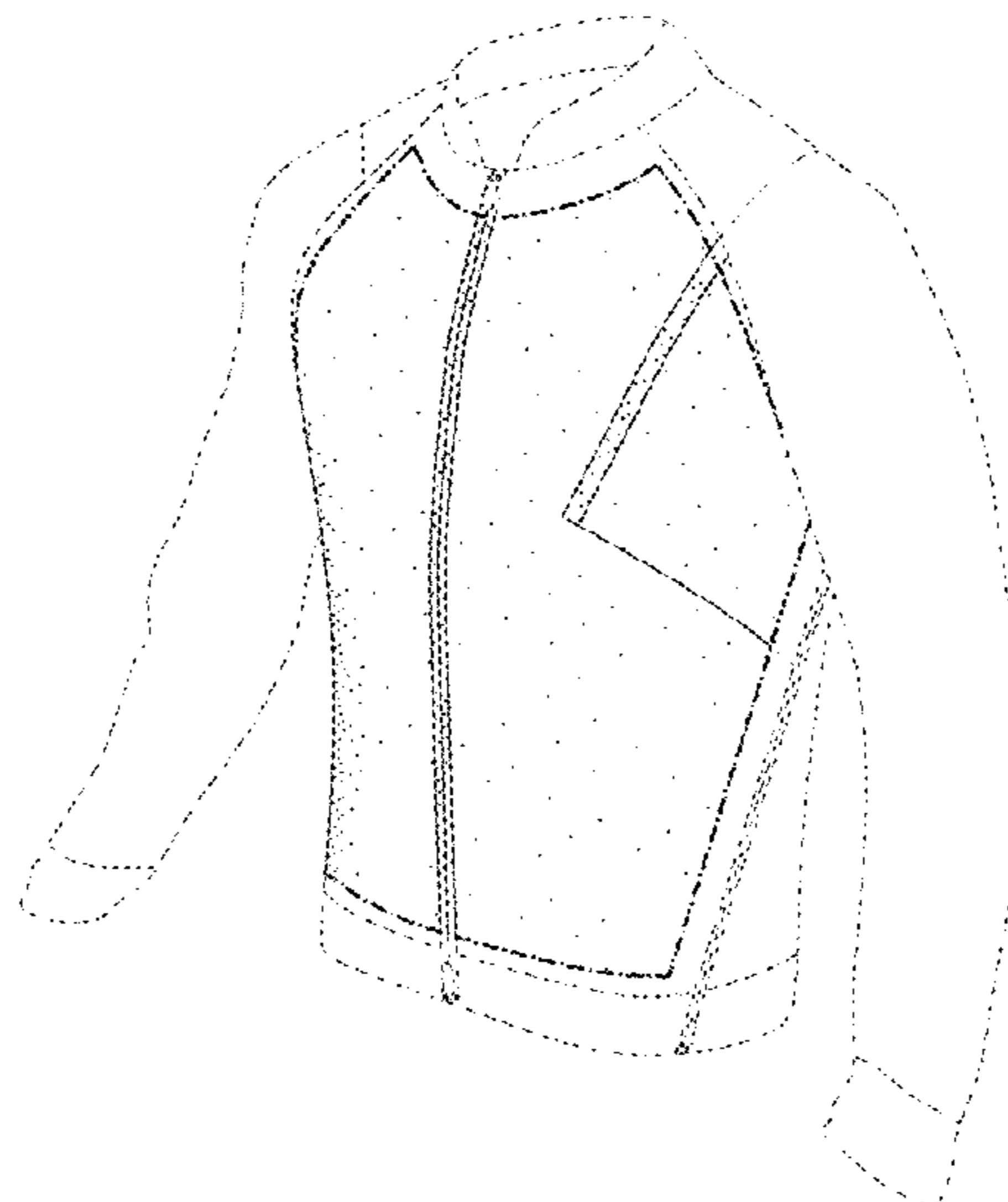
The ornamental design for a garment, as shown and described.

DESCRIPTION

FIG. 1 is a front, right perspective view of a garment, showing the present design in a first in-use configuration; FIG. 2 is front, right perspective view of the garment of FIG. 1 in a second in-use configuration in which a chest-pocket flap is partially folded back to reveal a location of a chest pocket; FIG. 3 is front view of the garment of FIG. 1; FIG. 4 is a back view thereof; FIG. 5 is a side view thereof; FIG. 6 is a second side view thereof; FIG. 7 is a front view of the garment of FIG. 1 wherein the garment is in a laid-flat configuration; FIG. 8 is a back view thereof; and, FIG. 9 is a magnified view taken at the area indicated in FIG. 8.

The broken lines with alternating dashes and dots, immediately adjacent to the shaded area, represent unclaimed boundaries of the design. The unshaded regions, demarcated by broken lines, represent unclaimed portions of the garment and form no part of the claimed design. The broken lines, which include even-length segments, that show the remainder of the garment or that are within the shaded area, are for environmental purposes only and form no part of the claimed design. The broken lines comprising an alternating pattern of two dashes separated by a dot are used to indicate the boundaries of a magnified view as shown in FIG. 9 and form no part of the claimed design. The contrast shading represents a contrast in appearance only and/or represents the character, contour and/or curvature of the surfaces and does not represent any particular color, material, texture, or finish.

1 Claim, 8 Drawing Sheets



(56)

References Cited

U.S. PATENT DOCUMENTS

2015/0107062 A1* 4/2015 Hayashi A44B 19/00
24/403
2016/0135527 A1* 5/2016 Skurla, III A41D 27/18
2/98
2016/0338415 A1* 11/2016 Aihara A41B 1/08
2017/0172237 A1* 6/2017 Martin A41D 27/10

* cited by examiner

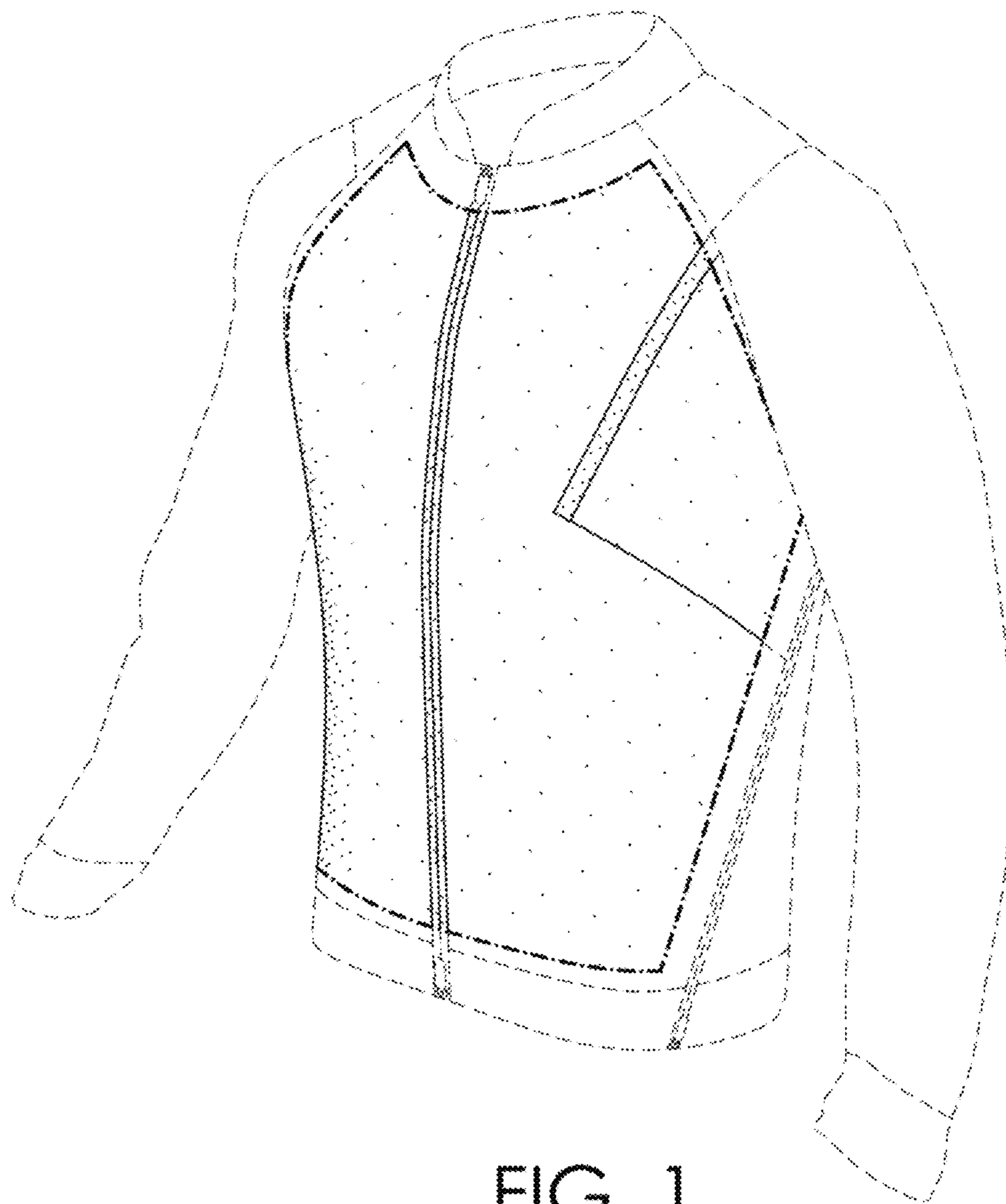


FIG. 1

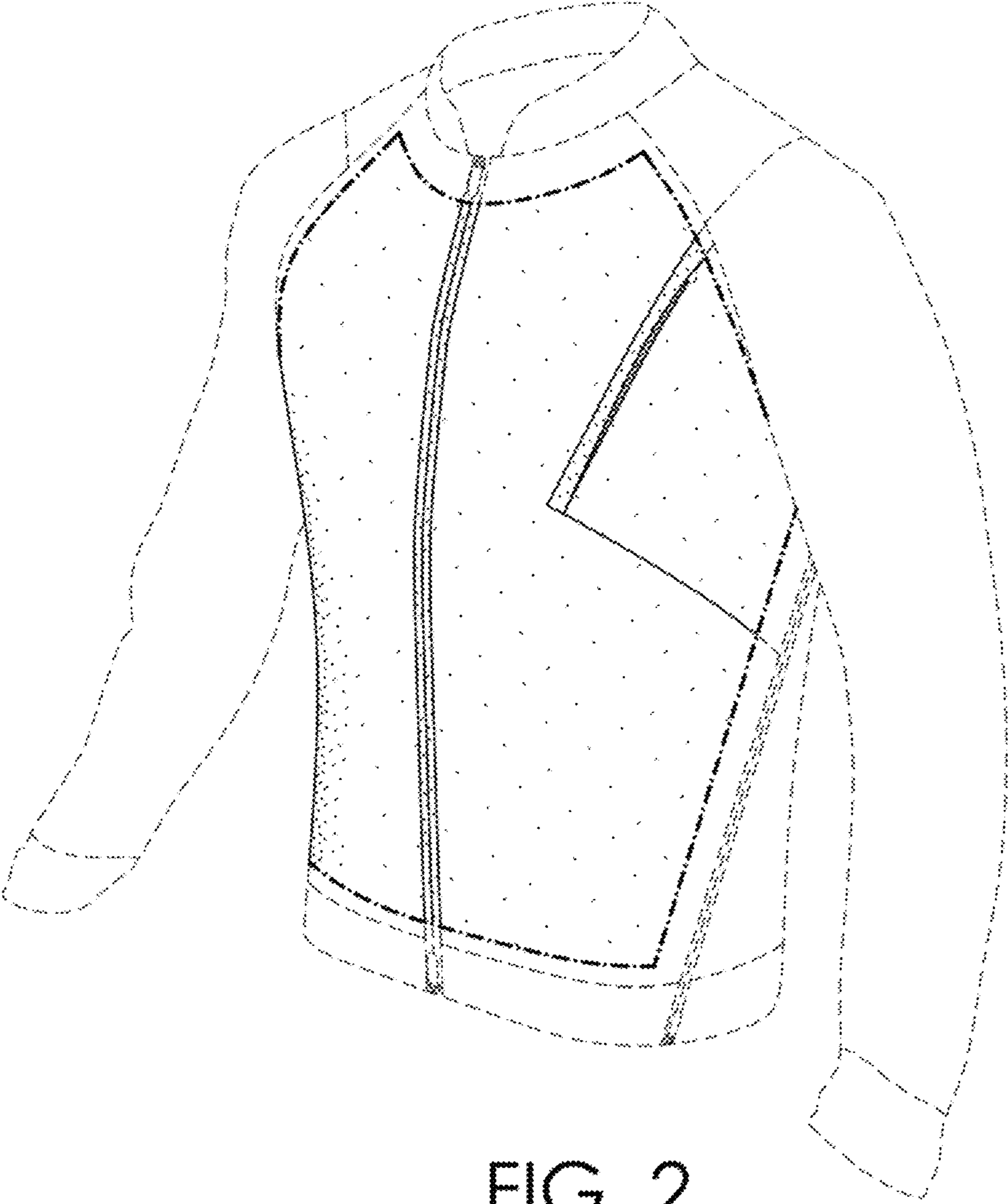


FIG. 2

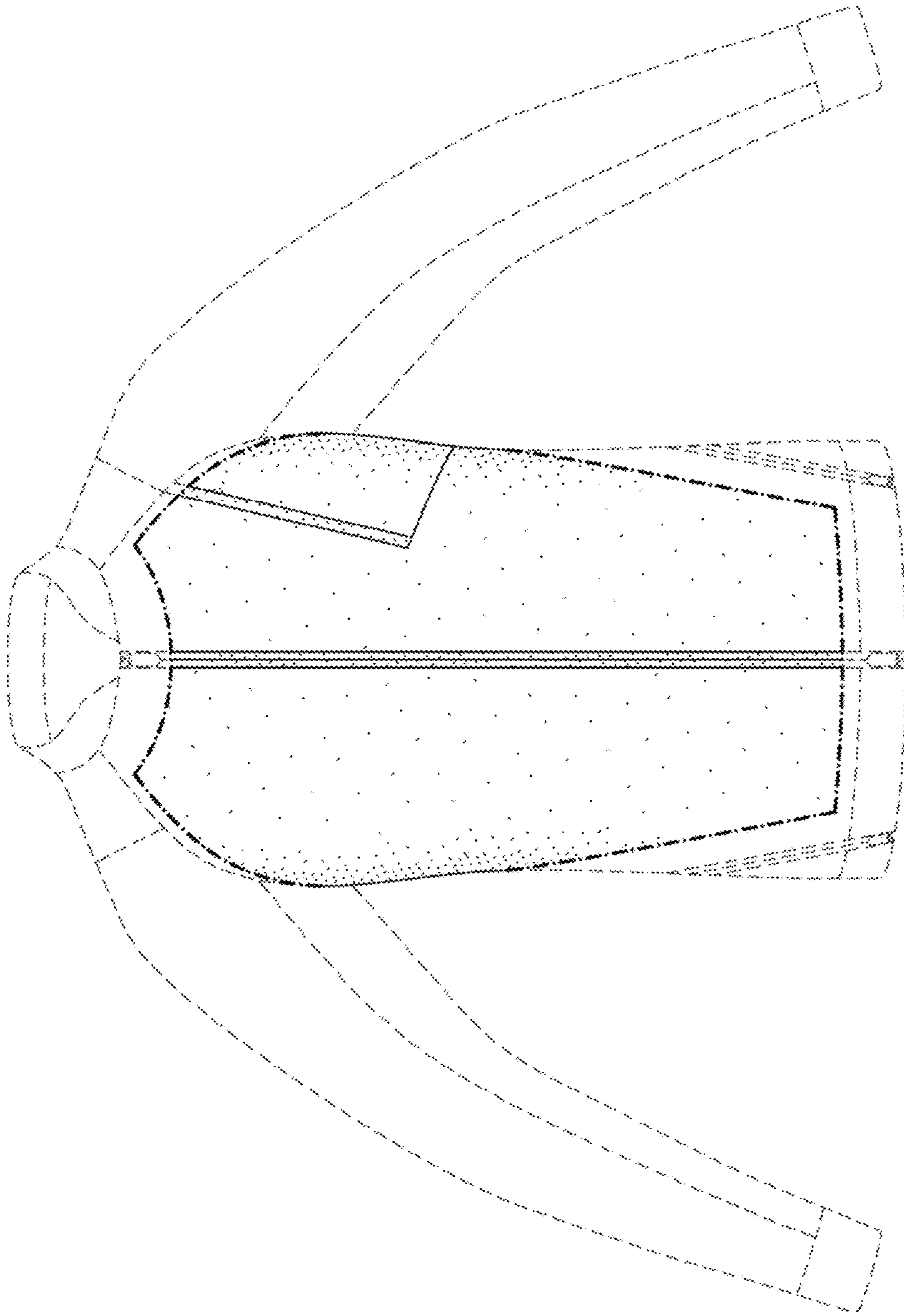


FIG. 3

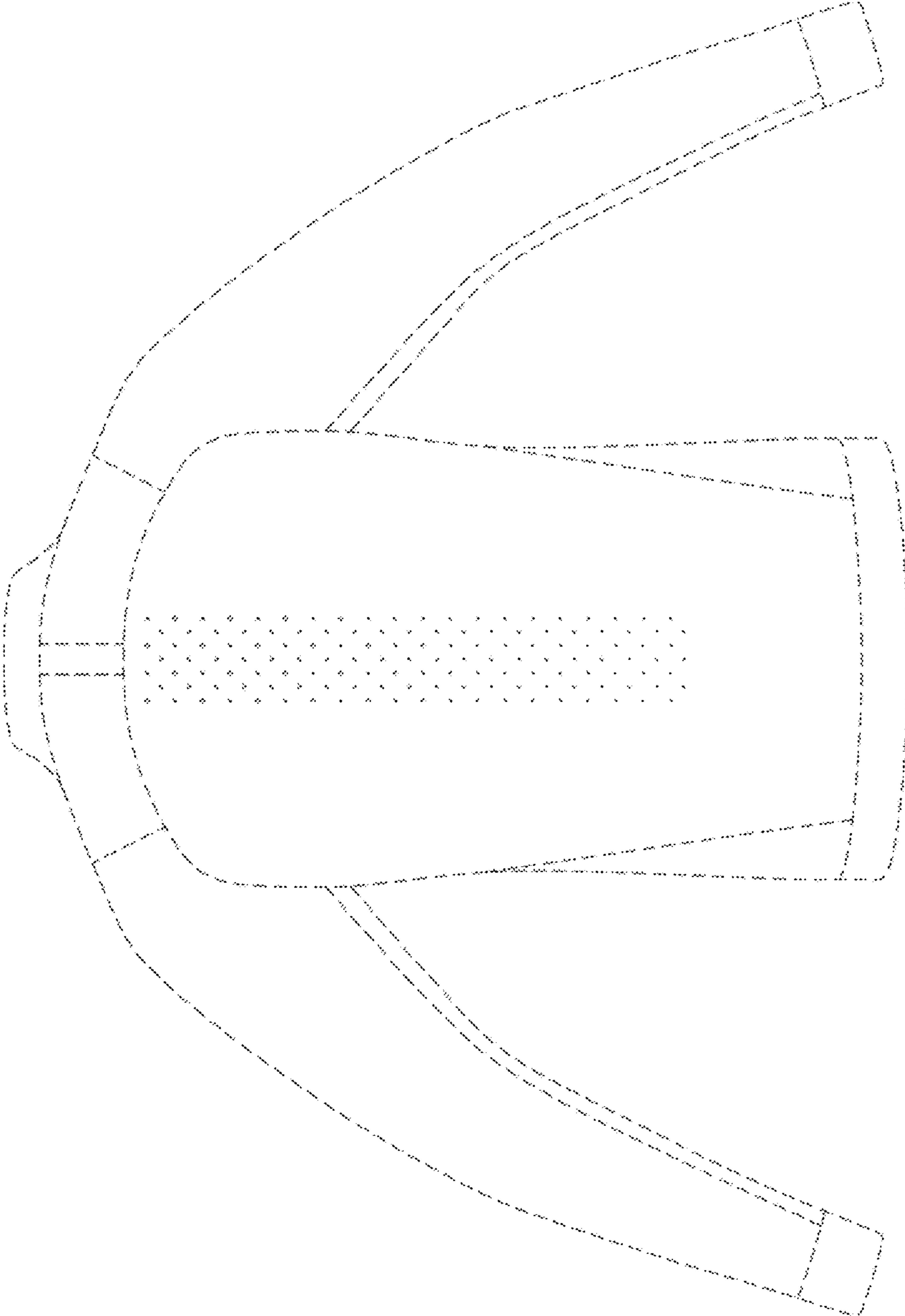


FIG. 4

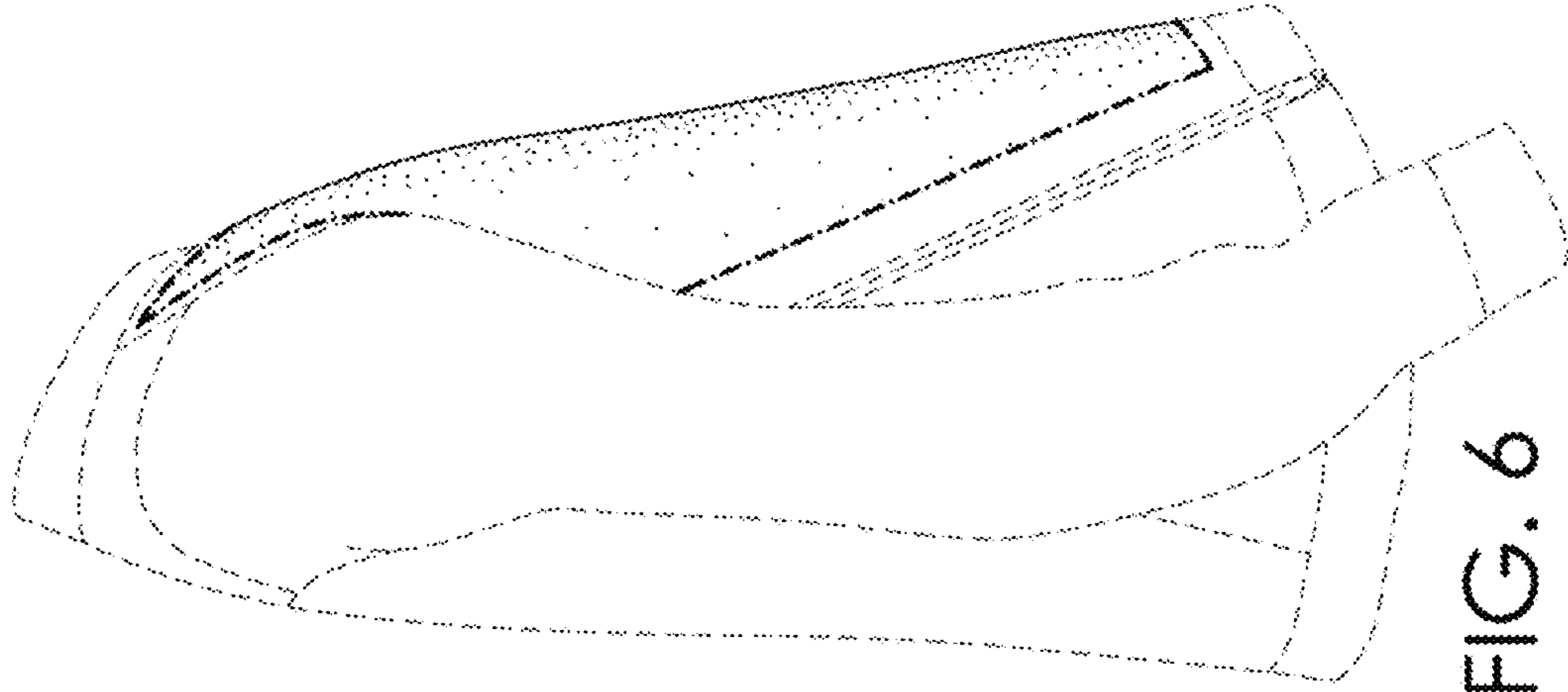


FIG. 6

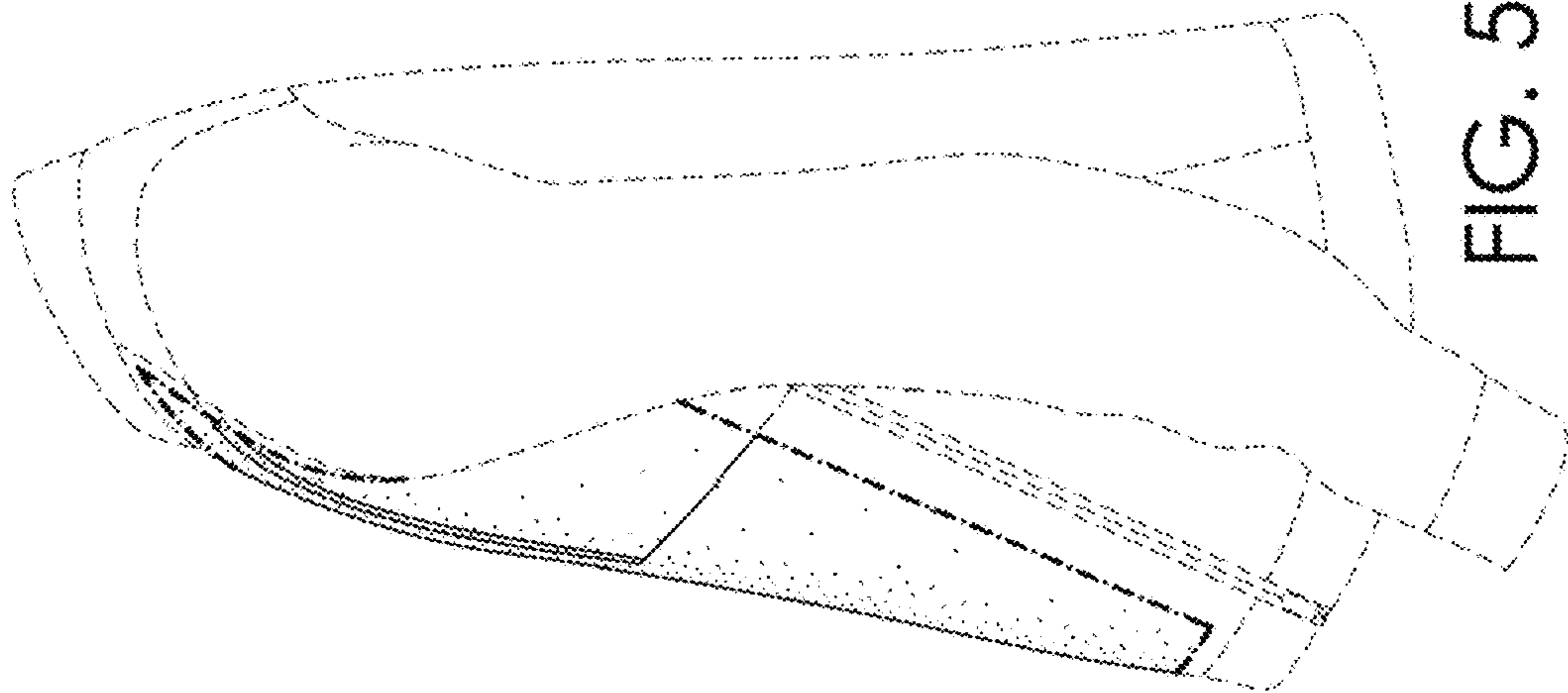


FIG. 5

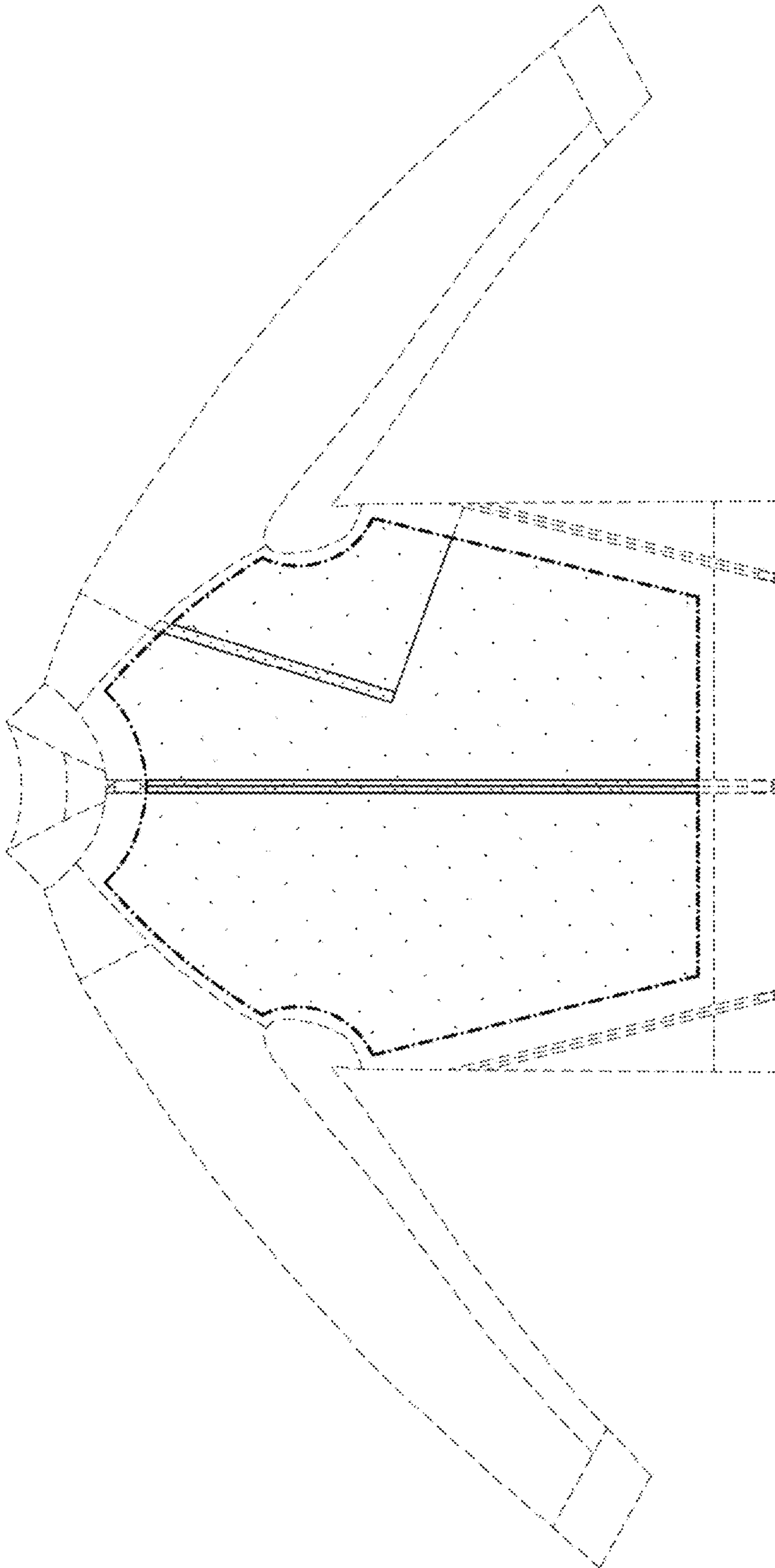


FIG. 7

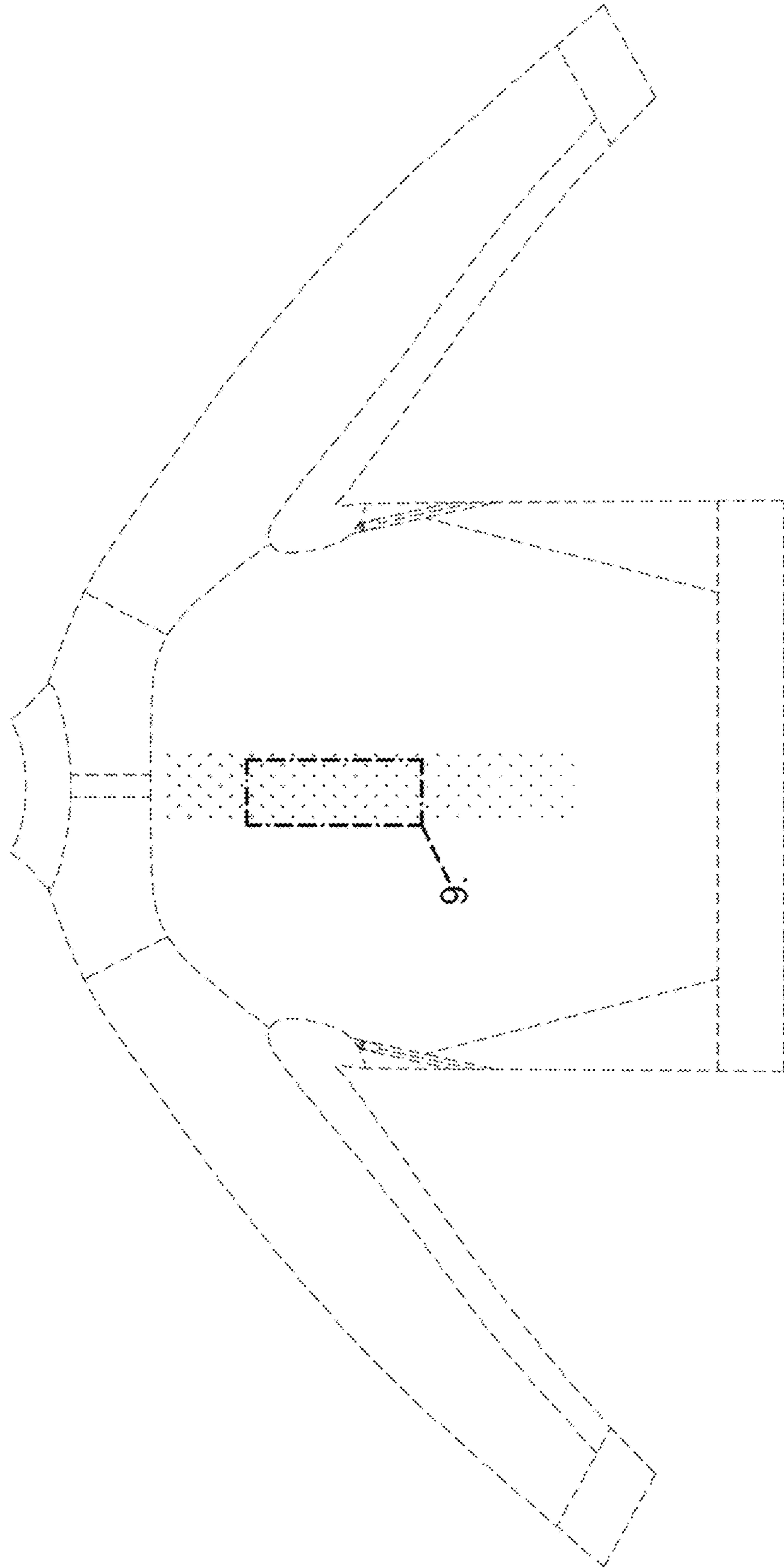


FIG. 8

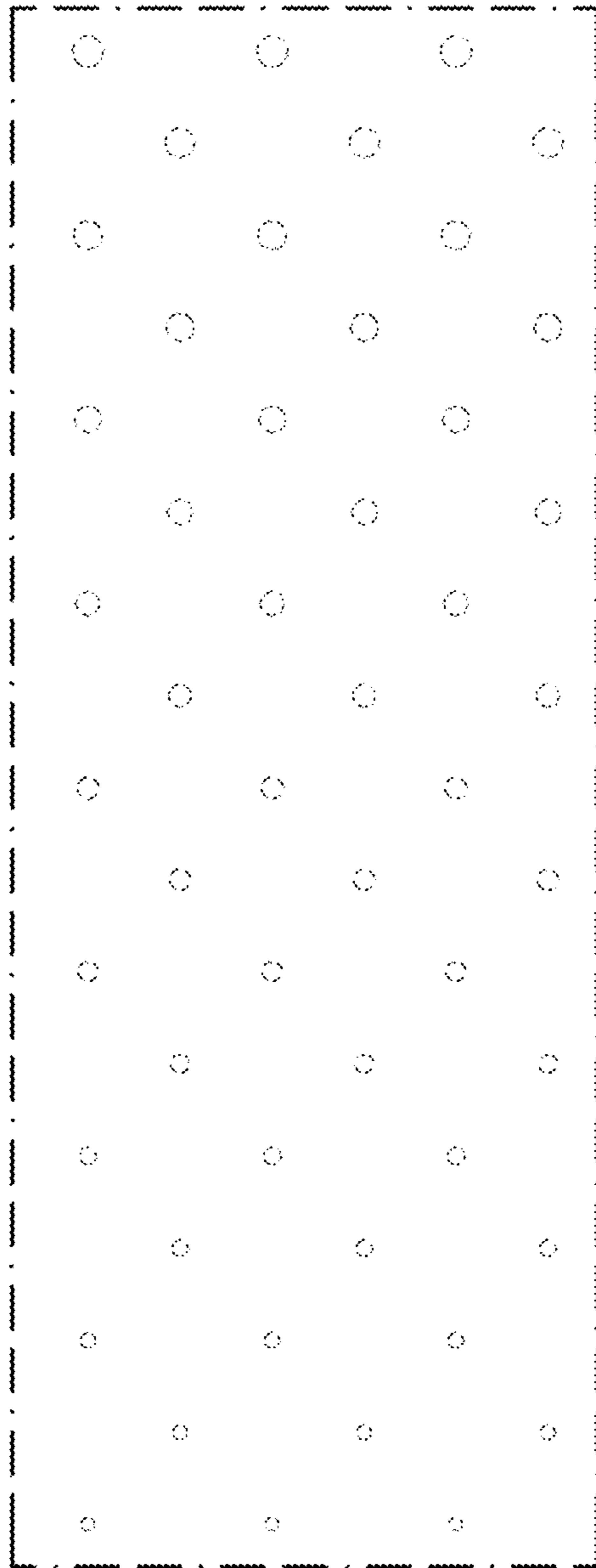


FIG. 9