



US00D800418S

(12) **United States Design Patent** (10) **Patent No.:** **US D800,418 S**  
**Peters** (45) **Date of Patent:** **\*\* Oct. 24, 2017**

(54) **COMBINED FIREARM HOLSTER AND BELT** 3,579,641 A \* 5/1971 Larson ..... A41F 9/002  
2/325  
(71) Applicant: **Paul D Peters**, Concord, OH (US) 4,044,929 A 8/1977 Caruso ..... 224/676  
4,221,063 A \* 9/1980 Charles ..... G09F 3/005  
(72) Inventor: **Paul D Peters**, Concord, OH (US) 4,544,089 A 10/1985 Tabler ..... 224/192  
D361,656 S \* 8/1995 Fogarty ..... D3/222  
(\*\*) Term: **15 Years** D381,787 S \* 8/1997 Littleton ..... D2/627  
5,806,731 A 9/1998 Mark ..... 224/250  
(21) Appl. No.: **29/505,459** 6,408,444 B1 \* 6/2002 Zinna ..... A41F 9/002  
2/312

(22) Filed: **Nov. 6, 2015**  
(51) **LOC (10) Cl.** ..... **02-07**  
(52) **U.S. Cl.**  
USPC ..... **D2/627**  
(58) **Field of Classification Search**  
USPC ..... D2/624-629, 631, 633, 634, 636-640,  
D2/859; D3/215, 222, 224, 226, 228;  
D8/44, 383; D11/200, 210, 217, 218,  
D11/233; D29/101.1, 101.5  
CPC . A41D 27/08; A41F 11/16; A41F 3/02; A41F  
9/002; A44B 11/005; A45F 2003/006;  
A45F 2200/05; A45F 3/005; B60R  
2022/006; F41B 13/00  
See application file for complete search history.

(56) **References Cited**  
U.S. PATENT DOCUMENTS  
84,082 A \* 11/1868 Boylson ..... A41F 9/002  
2/339  
1,234,204 A \* 7/1917 O'Brian ..... A44C 23/00  
434/246  
1,886,208 A \* 11/1932 Mieres ..... A41F 11/16  
24/464  
1,950,257 A \* 3/1934 Mix ..... B44C 1/26  
2/338  
2,194,734 A \* 3/1940 Brenner ..... A41F 9/002  
2/320  
2,434,380 A 1/1948 Williams ..... 224/243  
2,632,894 A \* 3/1953 Louis ..... A41F 9/002  
2/312

(Continued)

*Primary Examiner* — Celia Murphy  
*Assistant Examiner* — Clare Ann Gannon  
(74) *Attorney, Agent, or Firm* — David A. Burge

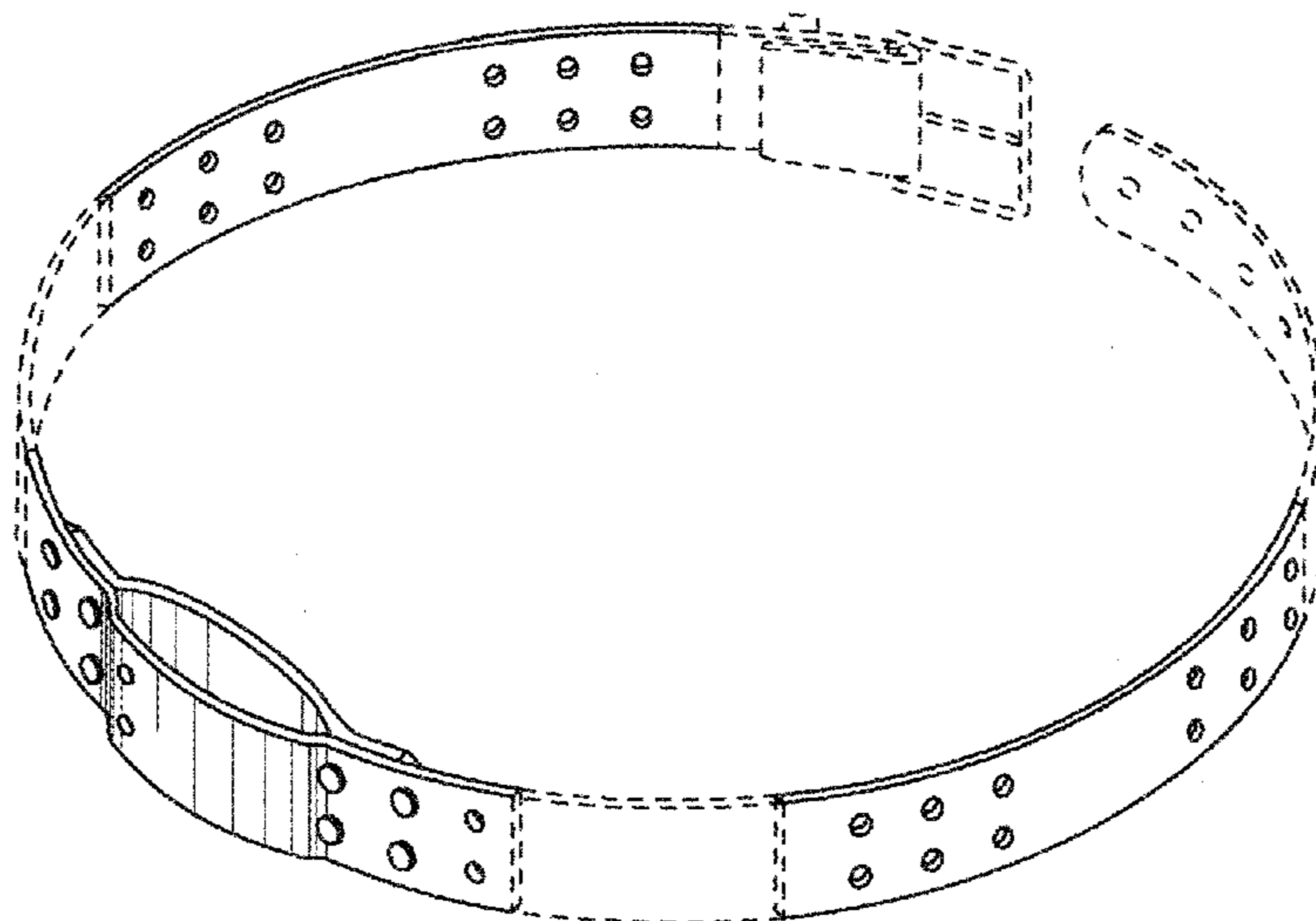
(57) **CLAIM**

I claim the ornamental design for a combined firearm holster and belt, as shown and described.

**DESCRIPTION**

FIG. 1 is a right, top perspective view showing my new design;  
FIG. 2 is an inverted perspective view thereof;  
FIG. 3 is a perspective view thereof, depicting a screw portion;  
FIG. 4 is a left, top perspective view thereof, with the remainder of the design shown broken away for convenience of illustration;  
FIG. 5 is an inverted perspective view thereof;  
FIG. 6 is a top plan view thereof, it being understood that a bottom view is a mirror image thereof;  
FIG. 7 is a rear elevation view thereof; and,  
FIG. 8 is a front elevation view thereof.  
Broken lines directly adjacent to claimed surfaces depict portions of the article of manufacture that are not included in the claim. All other broken lines in the drawings depict environmental subject matter that forms no part of the claimed design.

**1 Claim, 3 Drawing Sheets**



(56)

**References Cited**

U.S. PATENT DOCUMENTS

D533,085 S \* 12/2006 Mourgue ..... D10/32  
D551,427 S \* 9/2007 Handley ..... D2/624  
D710,236 S \* 8/2014 Lee ..... D10/104.2  
D720,097 S \* 12/2014 Littleton ..... D29/101.5  
D753,997 S \* 4/2016 Jones ..... D9/434  
D765,534 S \* 9/2016 Schone ..... D11/3  
D778,533 S \* 2/2017 Chen ..... D2/636  
2016/0100642 A1 4/2016 Swan et al. .... 2/236  
2016/0265875 A1\* 9/2016 Malcolm ..... F41C 33/048

\* cited by examiner

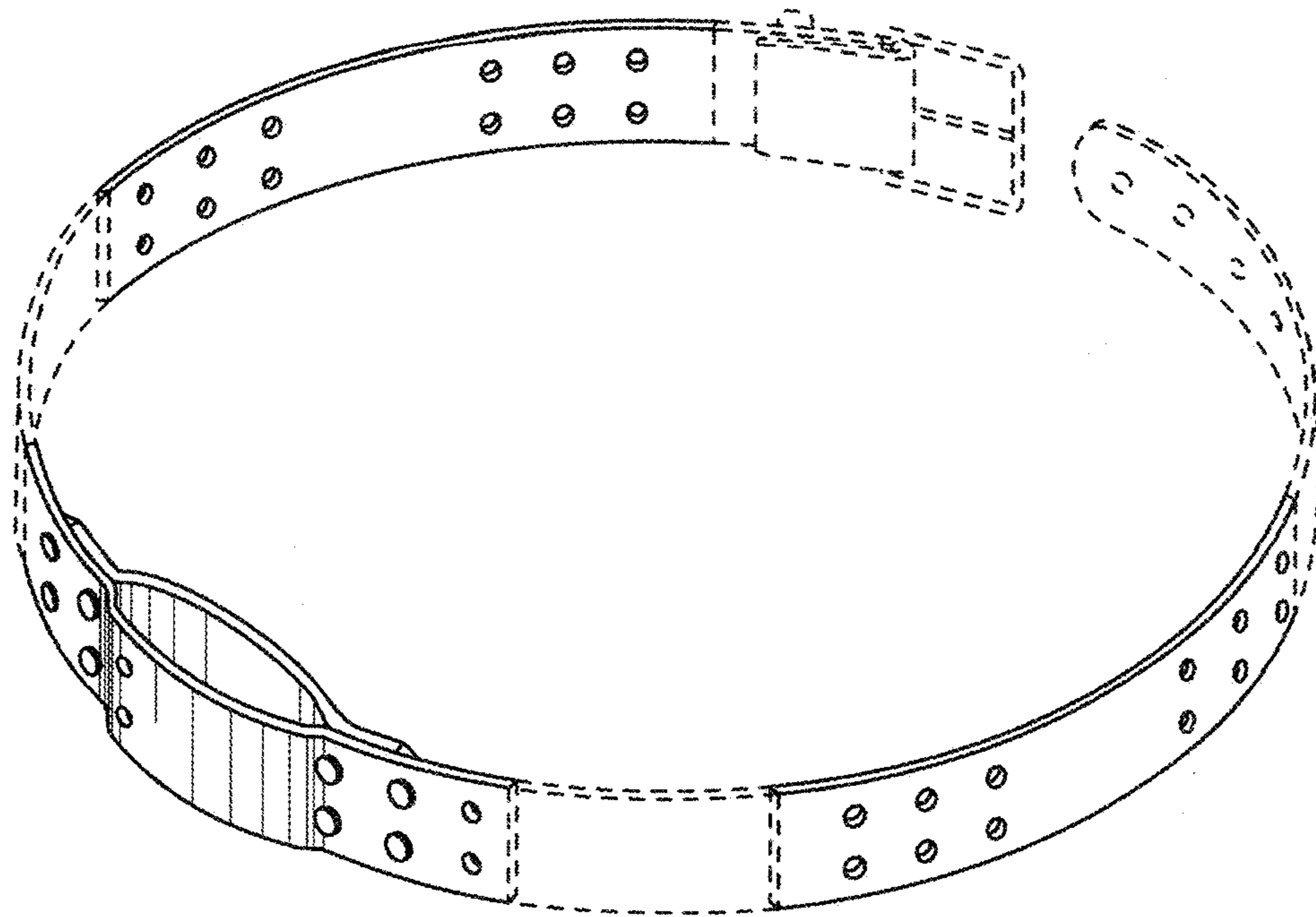


FIG. 1

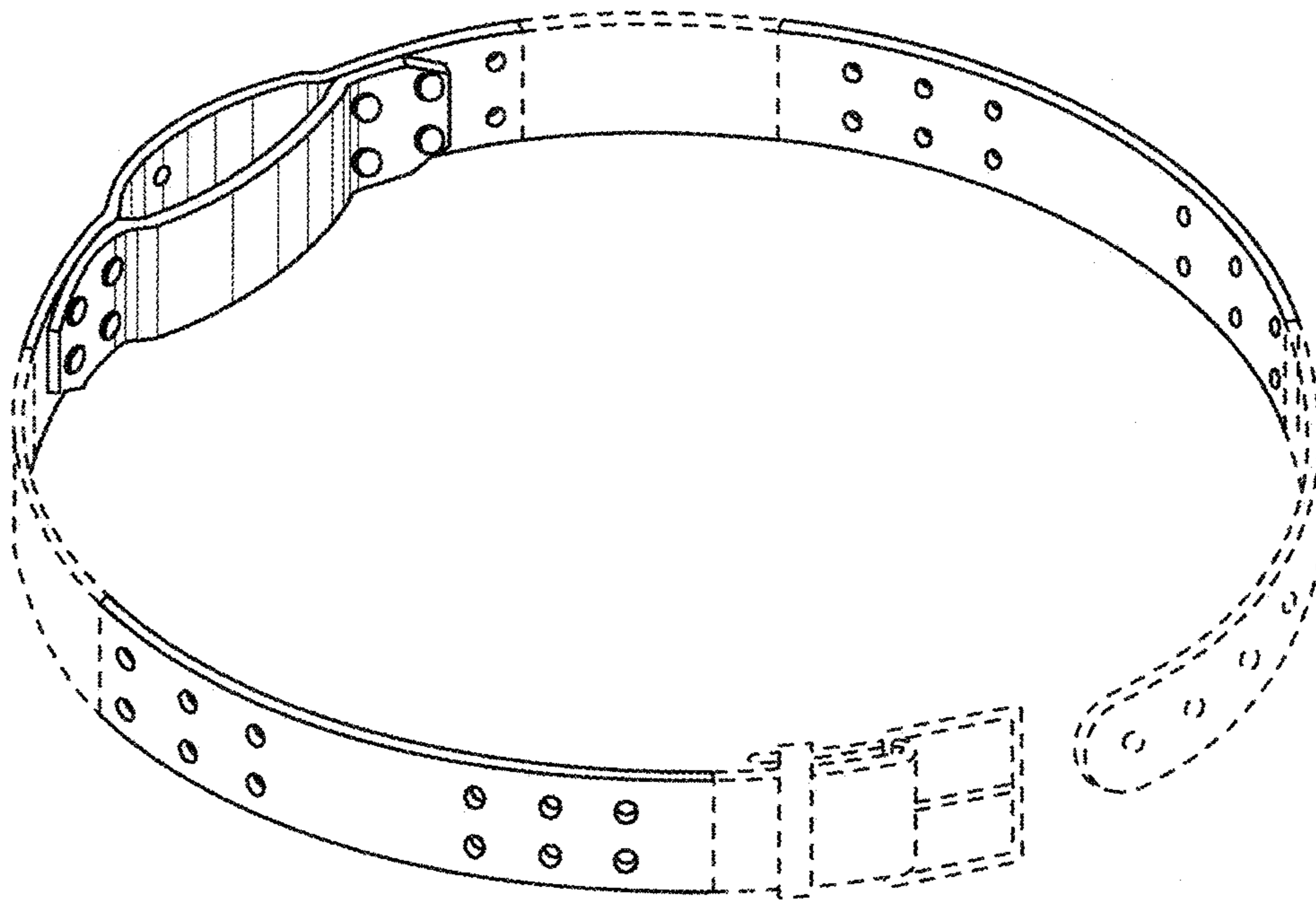


FIG. 2

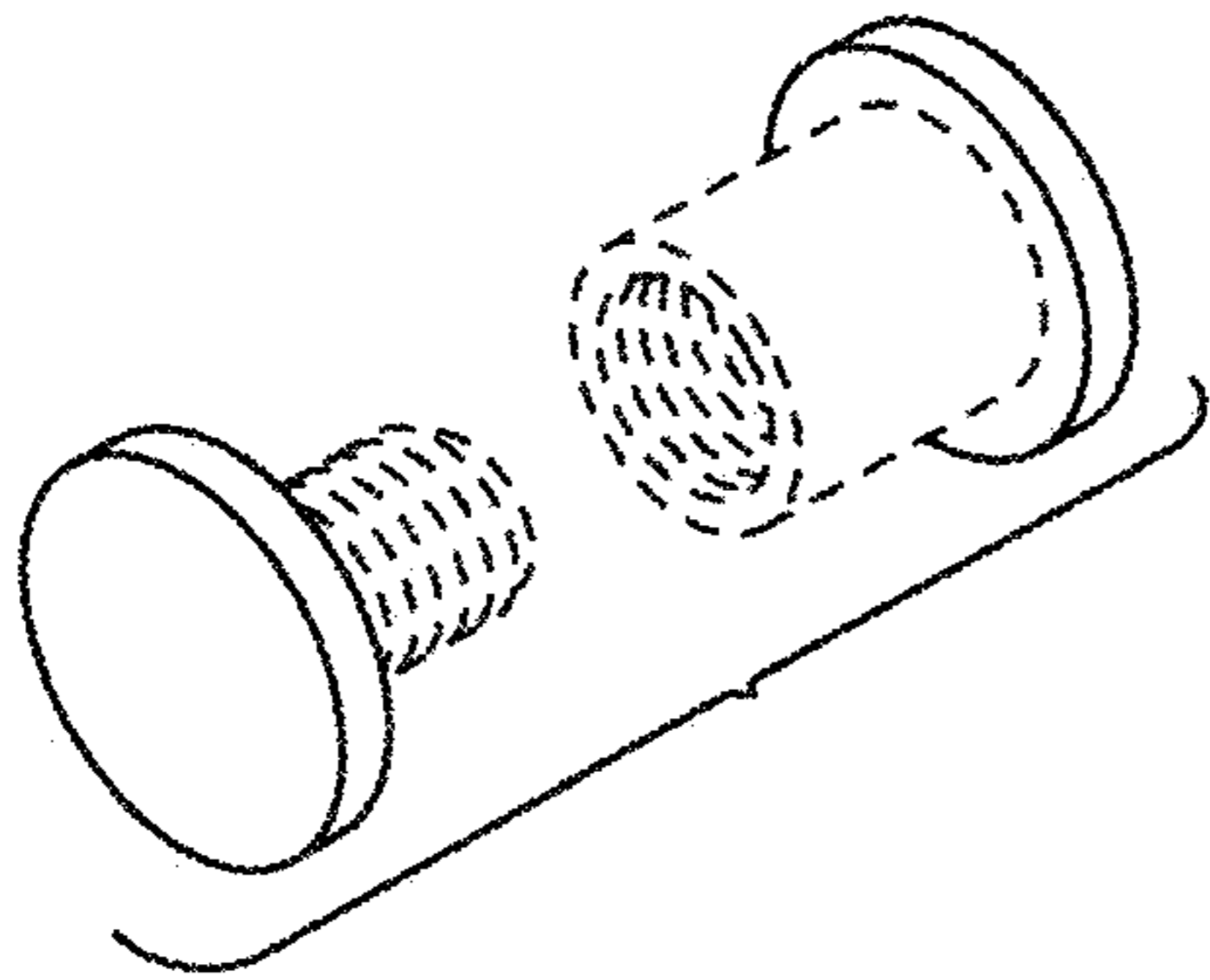


FIG. 3

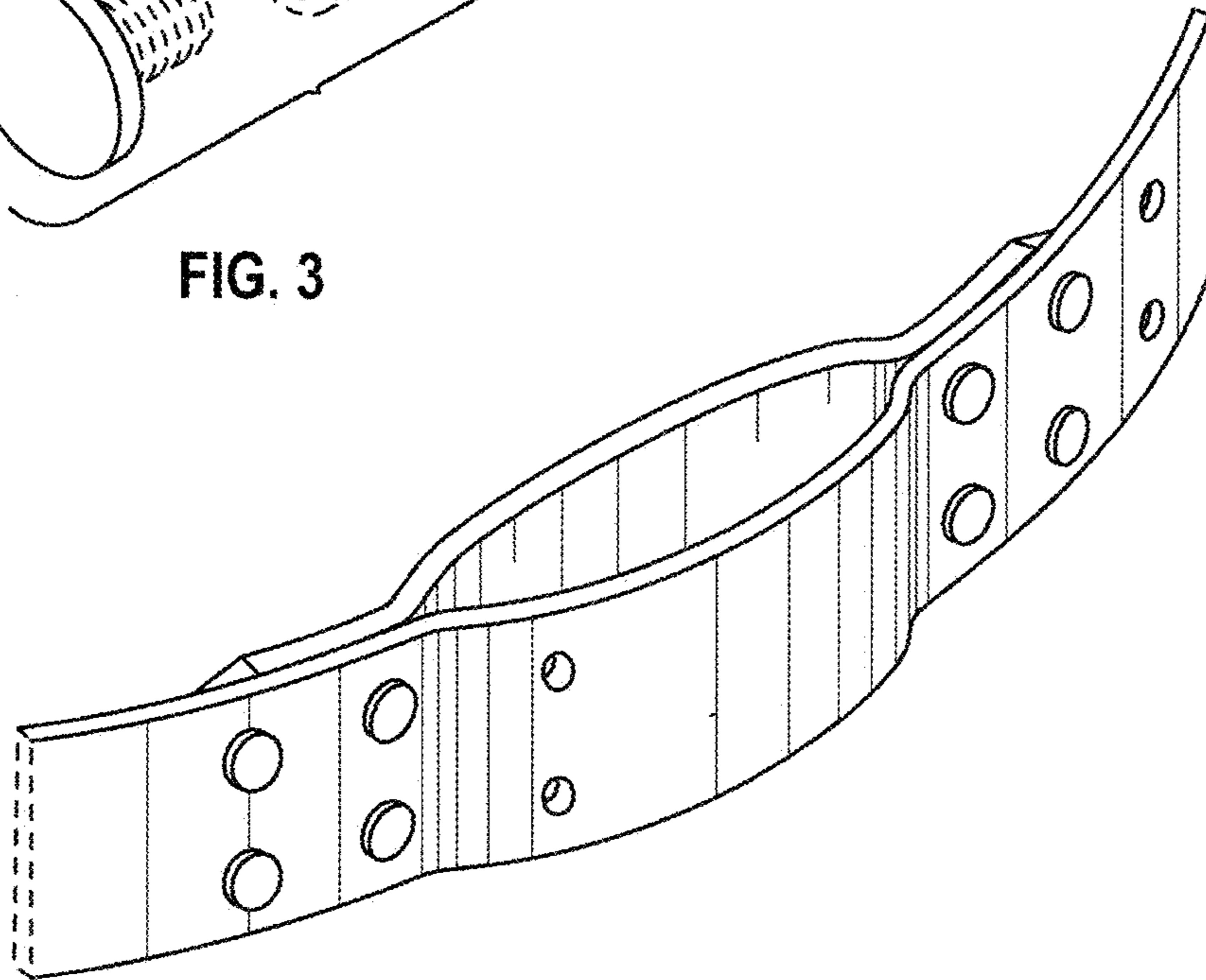


FIG. 4

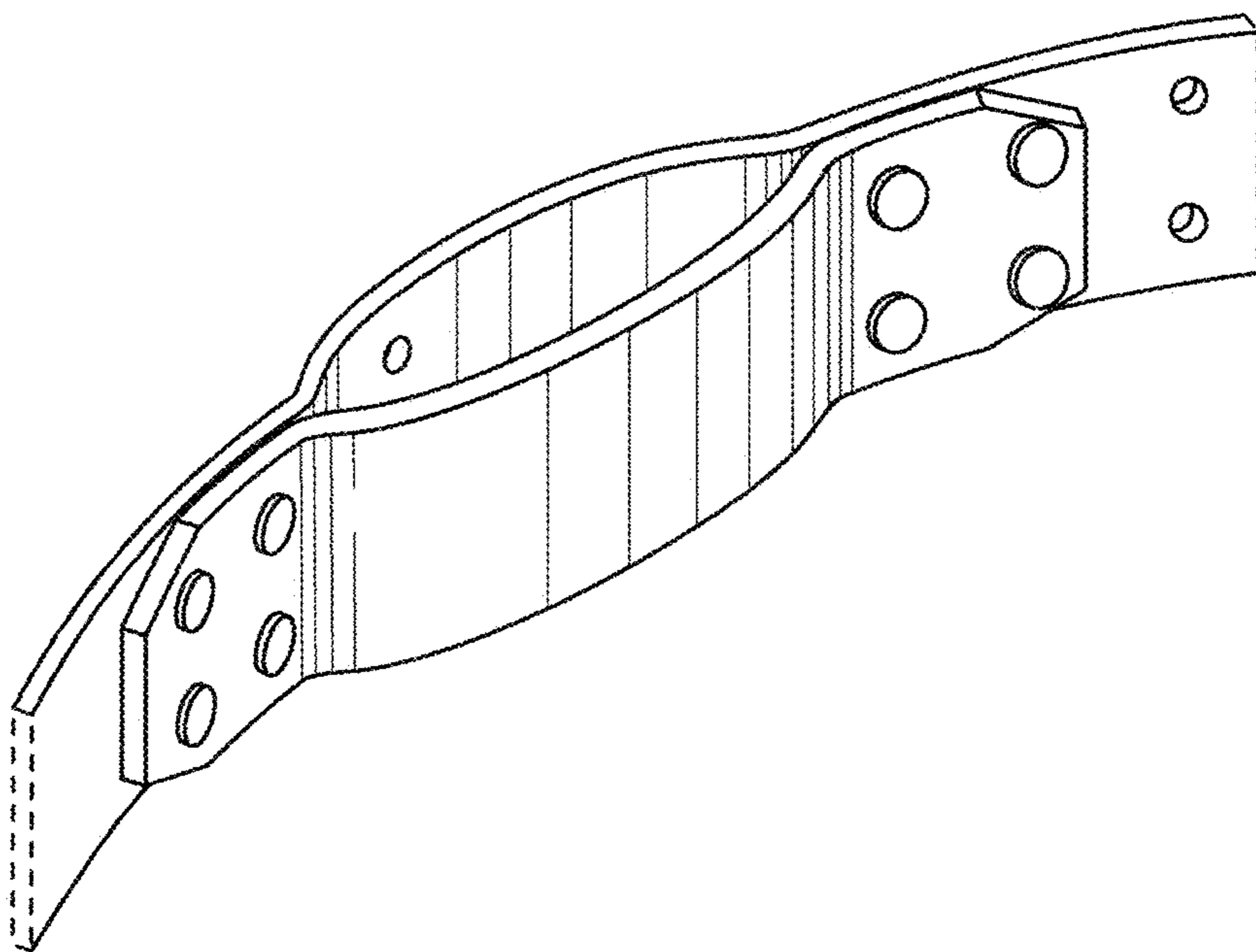


FIG. 5

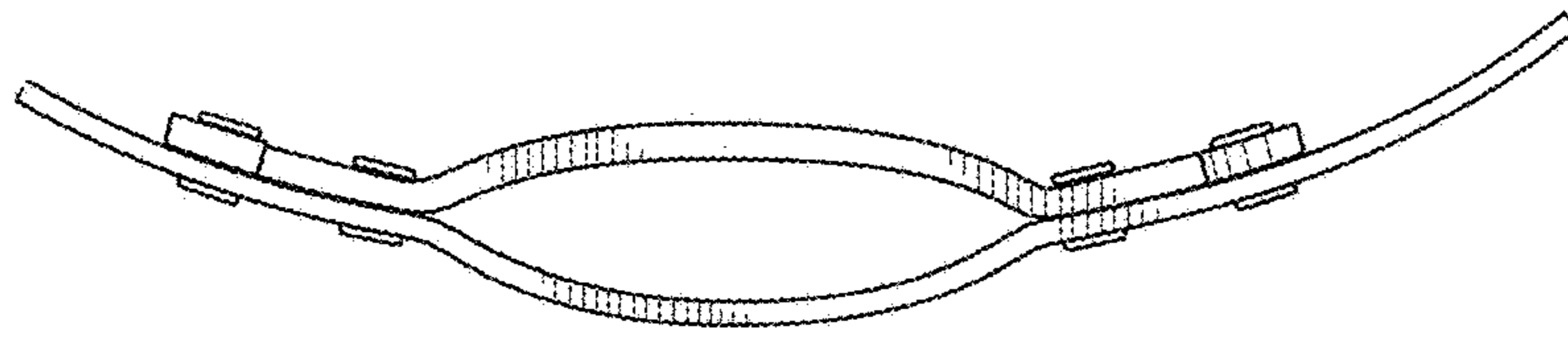


FIG. 6

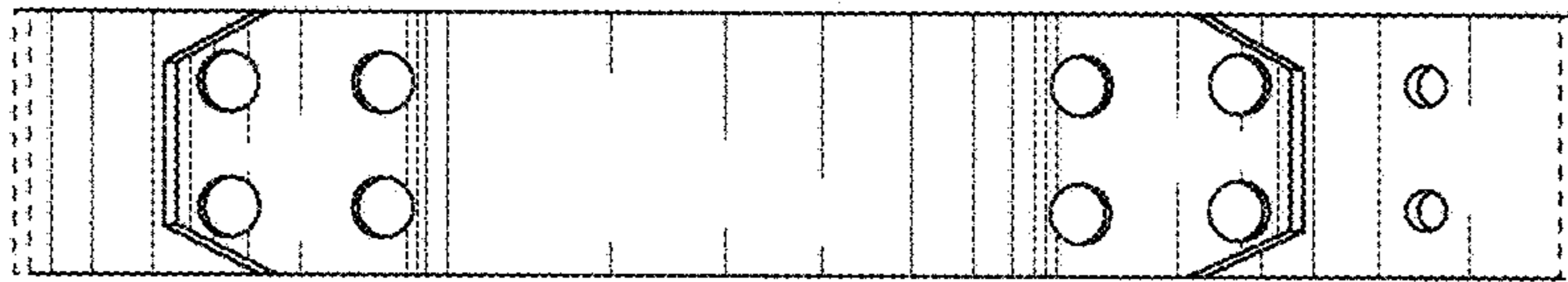


FIG. 7

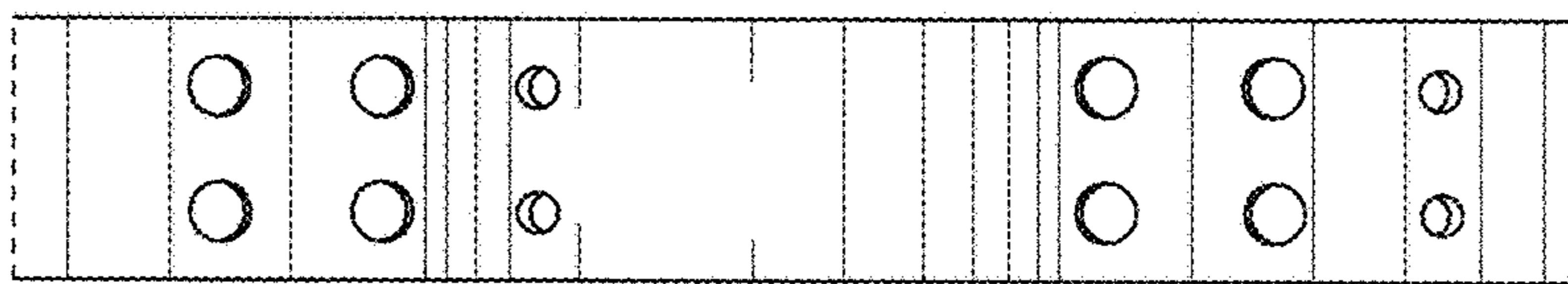


FIG. 8