



US00D800417S

(12) **United States Design Patent**  
**Gagich**

(10) **Patent No.:** **US D800,417 S**

(45) **Date of Patent:** **\*\* Oct. 24, 2017**

- (54) **SUSPENDER FROM BRASSIERE**
- (71) Applicant: **Nancy Gagich**, Chanhassen, MN (US)
- (72) Inventor: **Nancy Gagich**, Chanhassen, MN (US)
- (\*\*) Term: **15 Years**
- (21) Appl. No.: **29/574,094**
- (22) Filed: **Aug. 11, 2016**
- (51) **LOC (10) Cl.** ..... **02-02**
- (52) **U.S. Cl.**  
USPC ..... **D2/626; D2/706; D2/624**
- (58) **Field of Classification Search**  
USPC ..... D2/853, 706, 624, 626; D11/212;  
241/68 R, 69 R  
CPC ..... A41C 3/0028; A44B 19/00; A41F 1/00;  
A41F 1/008; A41F 15/00  
See application file for complete search history.

D783,450 S \* 4/2017 Simmons-Jones ..... D11/200  
 2006/0174459 A1\* 8/2006 Bledsoe ..... A41F 1/008  
 24/634  
 2016/0278463 A1\* 9/2016 Stevenson ..... A41F 19/00  
 \* cited by examiner

*Primary Examiner* — Robin V Webster  
*Assistant Examiner* — James C Thorn, Sr.  
 (74) *Attorney, Agent, or Firm* — Skaar Ulbrich Macari,  
 P.A.

(57) **CLAIM**

The ornamental design for a suspender from brassiere, as shown and described.

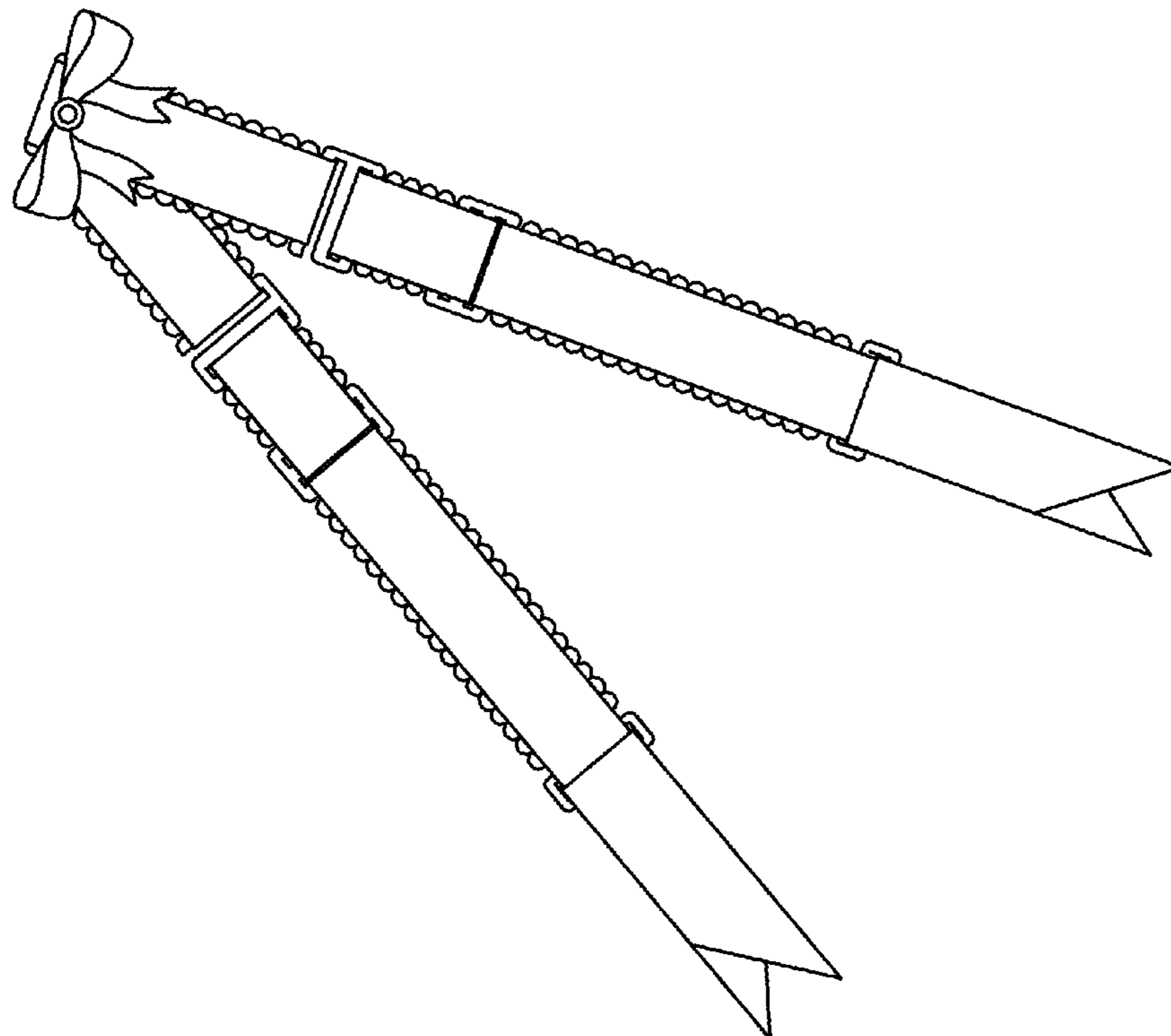
**DESCRIPTION**

FIG. 1 is a front elevation view of a suspender from brassiere, showing my new design;  
 FIG. 2 is a rear elevation view thereof;  
 FIG. 3 is a right side elevation view thereof;  
 FIG. 4 is a left side elevation view thereof;  
 FIG. 5 is a top plan view of FIG. 1;  
 FIG. 6 is a bottom plan view of FIG. 1;  
 FIG. 7 is a front view, shown in an alternate configuration;  
 and,  
 FIG. 8 is a front view thereof, shown with the clips exposed.  
 The broken lines represent the portions of the design that form no part of the claim.

(56) **References Cited**  
 U.S. PATENT DOCUMENTS

D462,710 S	*	9/2002	Babcock	.....	D17/20
D488,288 S	*	4/2004	Eggers	.....	D2/624
D513,034 S	*	12/2005	Boron	.....	D17/20
D519,261 S	*	4/2006	Reis	.....	D11/200
D551,427 S	*	9/2007	Handley	.....	D2/624
D578,732 S	*	10/2008	Samuels	.....	D2/639
D578,733 S	*	10/2008	Samuels	.....	D2/639
D587,433 S	*	3/2009	Ratcliff	.....	D11/16
D658,850 S	*	5/2012	Valentine	.....	D2/624
D707,918 S	*	7/2014	Salcido	.....	D2/624
D767,248 S	*	9/2016	Rogers	.....	D2/624

**1 Claim, 5 Drawing Sheets**



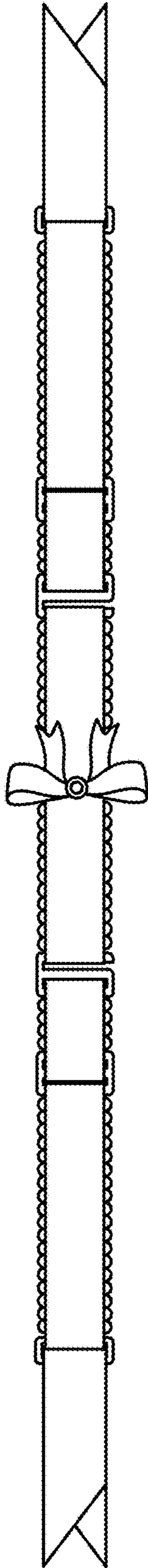


FIG. 1

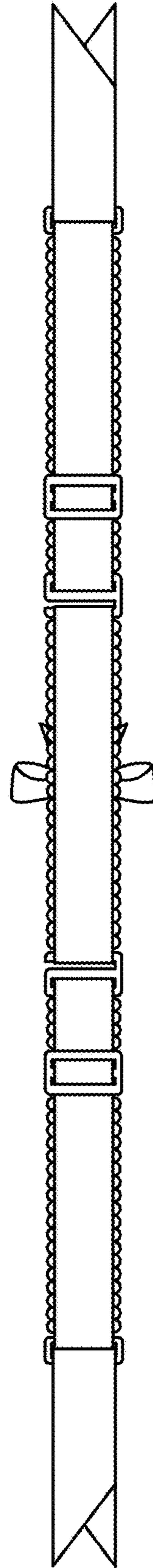


FIG. 2



FIG. 3



FIG. 4



FIG. 5



FIG. 6

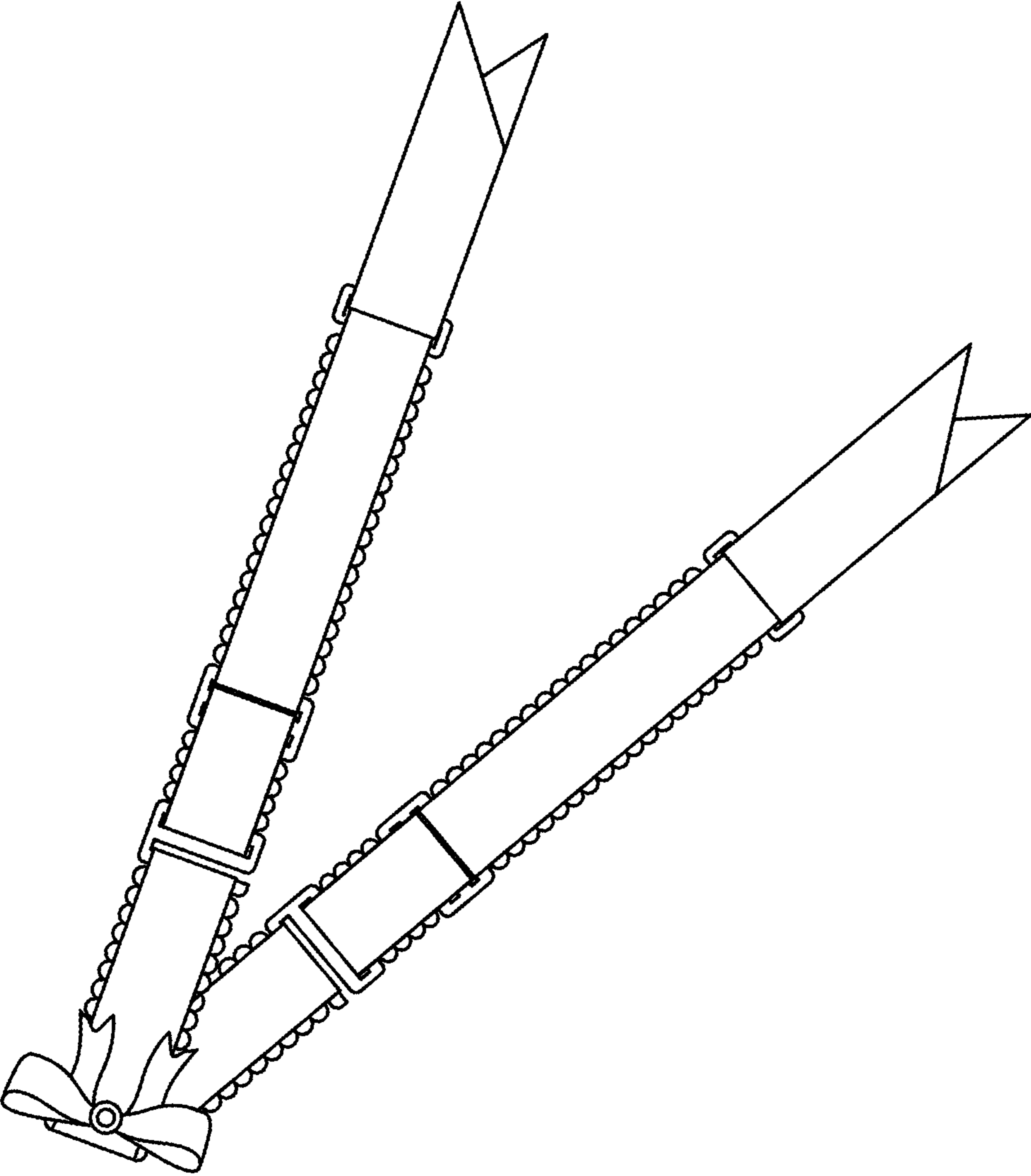


FIG. 7

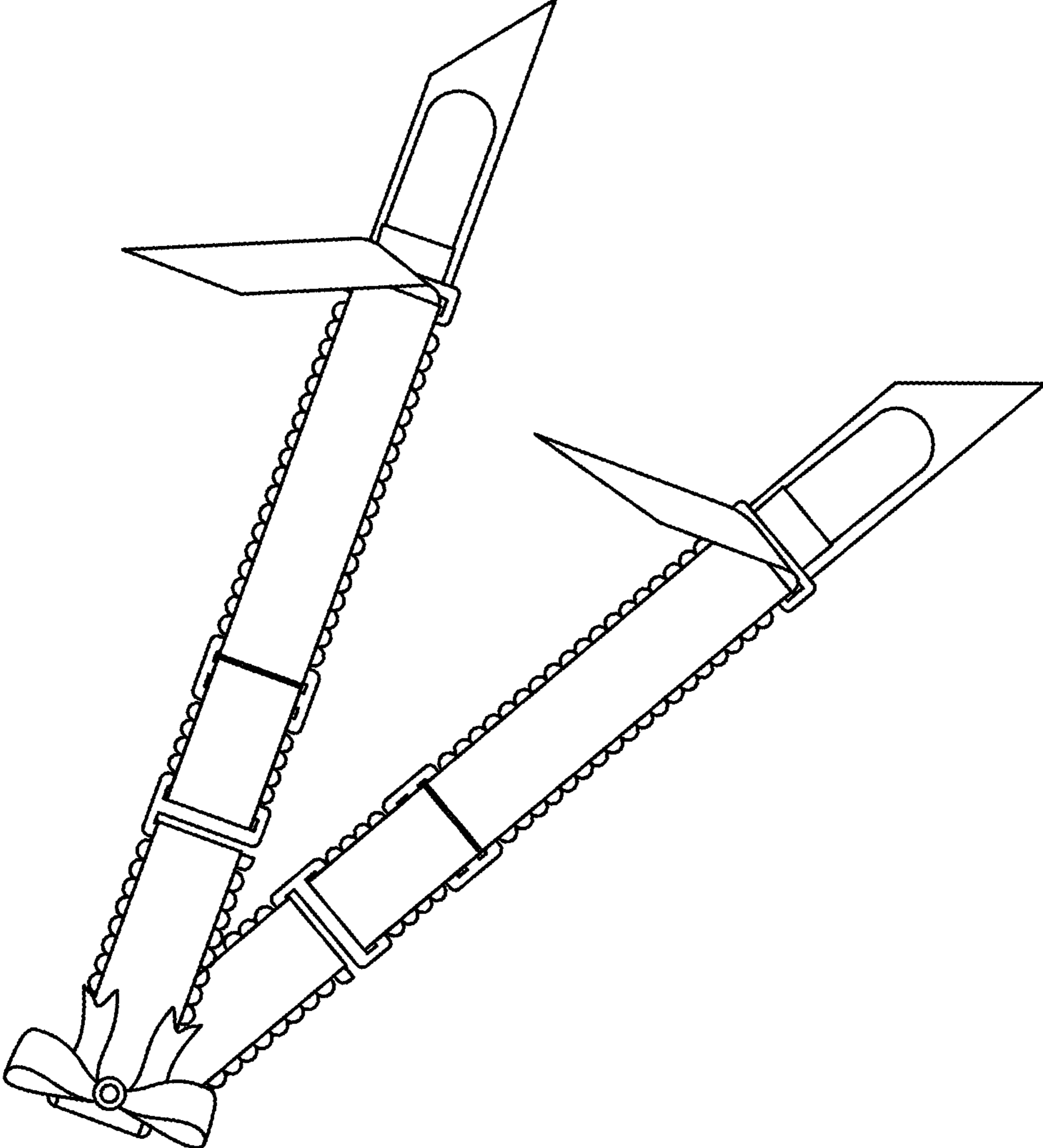


FIG. 8