



US00D800412S

(12) **United States Design Patent**
Ganem

(10) **Patent No.:** **US D800,412 S**

(45) **Date of Patent:** **** Oct. 17, 2017**

(54) **CASKET LID COVER**

(71) Applicant: **Trey Ganem**, Edna, TX (US)

(72) Inventor: **Trey Ganem**, Edna, TX (US)

(**) Term: **14 Years**

(21) Appl. No.: **29/520,282**

(22) Filed: **Mar. 12, 2015**

(51) **LOC (10) Cl.** **99-00**

(52) **U.S. Cl.**
USPC **D99/12**

(58) **Field of Classification Search**
USPC D99/1, 3, 5, 12; D5/5, 8, 13, 20, 28, 35,
D5/43, 53, 64, 65, 99; 27/1, 19; 428/15,
428/153
CPC F24C 3/006; A47B 91/005; G61G 17/08;
A61G 17/08
See application file for complete search history.

(56) **References Cited**

U.S. PATENT DOCUMENTS

- 226,082 A * 3/1880 Lemman B44C 5/00
428/32
- 312,715 A * 2/1885 Gould B32B 27/00
427/257
- 810,172 A * 1/1906 Rathburn A61G 17/00
27/19
- D55,951 S * 8/1920 Lloyd D5/53
- D61,992 S * 2/1923 Bunting D5/62
- D75,484 S * 6/1928 Gebhart D25/138
- D77,116 S * 12/1928 Muckleroy D99/12
- 2,026,428 A * 12/1935 Murphy A61G 17/00
27/35
- 2,030,558 A * 2/1936 White B44C 3/025
428/142
- D103,327 S * 2/1937 Kolb D5/53
- 2,081,308 A * 5/1937 Wallace B31F 1/122
346/33 F
- D105,539 S * 8/1937 Wilde D99/12

- D110,102 S * 6/1938 Zavell D5/99
- D114,258 S * 4/1939 Becker et al. D5/28
- D122,356 S * 9/1940 Hartmann D5/53
- D126,704 S * 4/1941 Kohnken D5/99
- D128,527 S * 7/1941 Cerny D5/99
- D128,803 S * 8/1941 Schiess D5/53
- D141,335 S * 5/1945 Walther D5/99
- D148,924 S * 3/1948 Freedman D5/28
- D150,646 S * 8/1948 Patterson D5/28
- D166,581 S * 4/1952 Uihlein D5/49
- 2,801,667 A * 8/1957 Curran B60J 11/00
150/166
- 3,066,379 A * 12/1962 Meeks A61G 17/007
27/19
- 3,103,053 A * 9/1963 Nelson E04H 13/00
27/35

(Continued)

Primary Examiner — Paula Greene

(74) *Attorney, Agent, or Firm* — Karen B. Tripp

(57) **CLAIM**

The ornamental design for casket lid cover, as shown and described.

DESCRIPTION

FIG. 1 is a perspective view of a casket lid cover showing my new design.

FIG. 2 is a side view of the casket lid of FIG. 1, showing the casket lid in a closed position on a casket.

FIG. 3 is the opposing side view of the casket lid of FIG. 2.

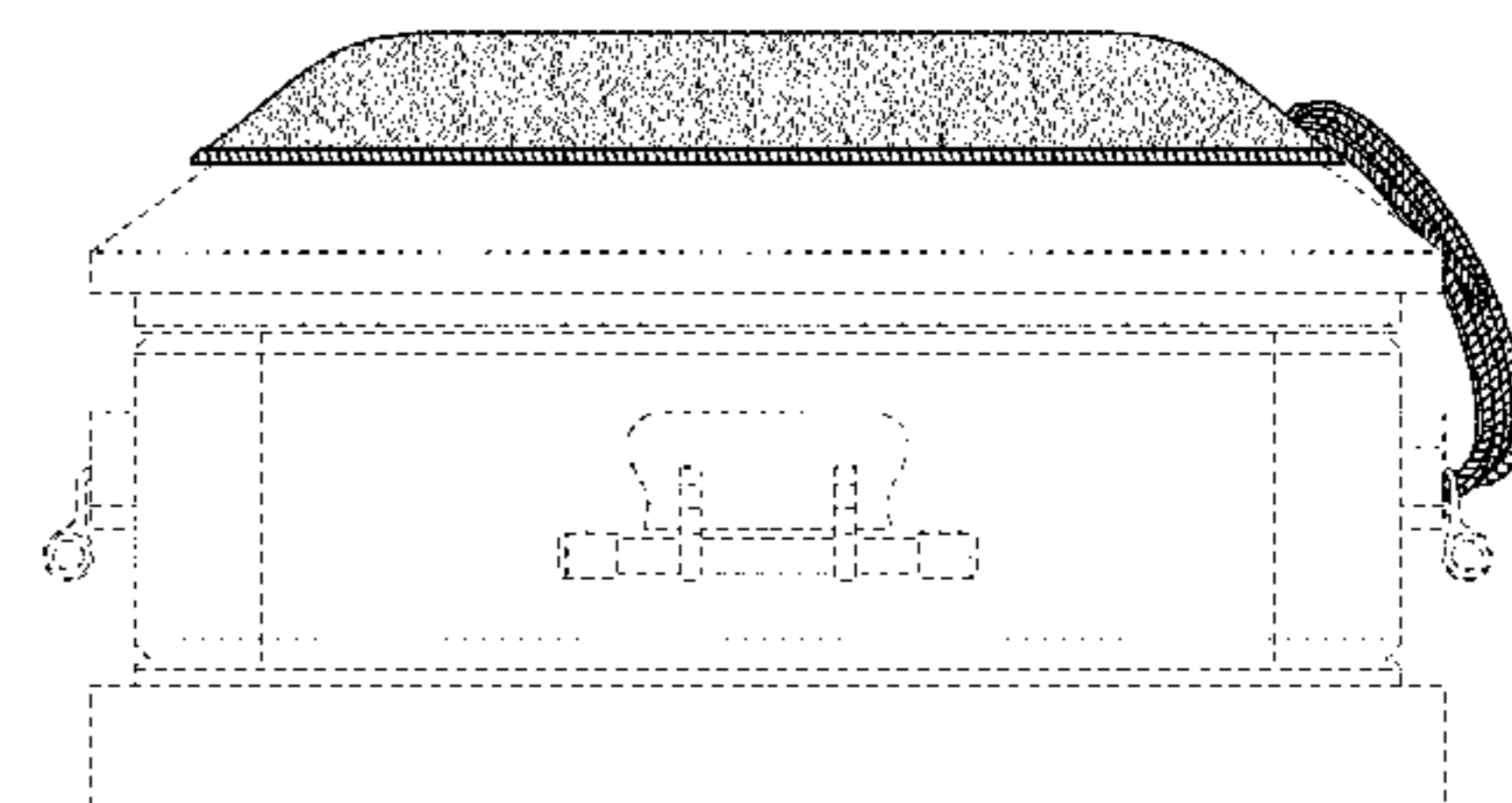
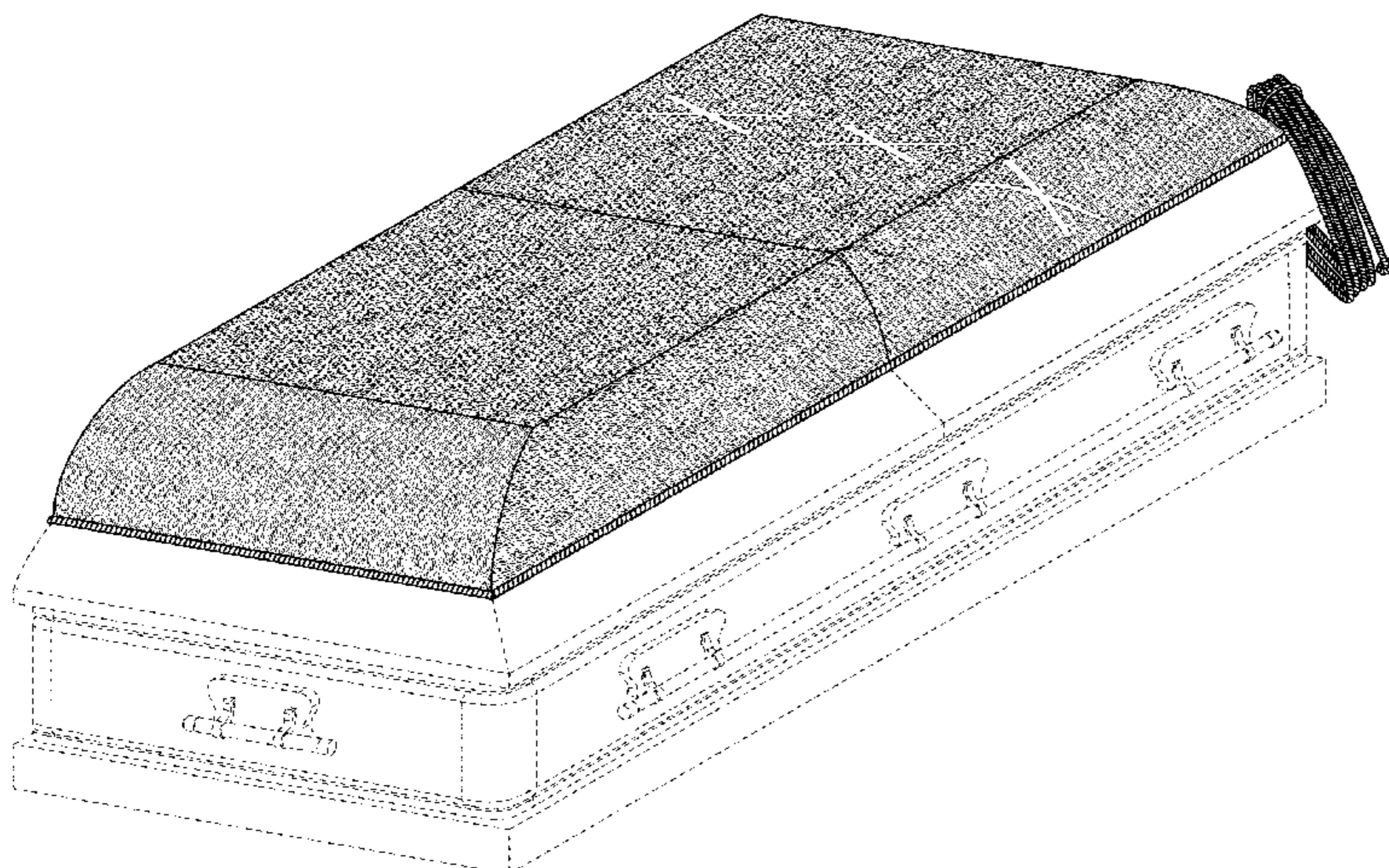
FIG. 4 is an end view of the casket lid of FIG. 1.

FIG. 5 is the opposing end view of the casket lid of FIG. 4.

FIG. 6 is a top view of the casket lid of FIG. 1; and, FIG. 7 is a bottom view of a casket having the casket lid of FIG. 1.

The broken lines depict environment for the purpose of illustration that forms no part of the claimed design.

1 Claim, 6 Drawing Sheets



(56)

References Cited

U.S. PATENT DOCUMENTS

3,295,577 A * 1/1967 Danielson A47B 13/086
108/90
D284,131 S * 6/1986 Czerny D5/53
4,821,785 A * 4/1989 Rolan B60J 11/00
150/166
D313,511 S * 1/1991 Oh D5/28
D321,597 S * 11/1991 Cerny D5/43
D383,003 S * 9/1997 Hepford D5/53
D393,740 S * 4/1998 Stevens D2/893
6,014,935 A * 1/2000 Willett A47G 11/004
108/50.11
D512,194 S * 11/2005 Draeger D99/1
D551,425 S * 9/2007 Layle D99/7
D580,180 S * 11/2008 Tomiyama D5/53
D618,633 S * 6/2010 Lin D13/179
D641,945 S * 7/2011 Henderson D99/1
D692,634 S * 10/2013 Torres D99/12

* cited by examiner

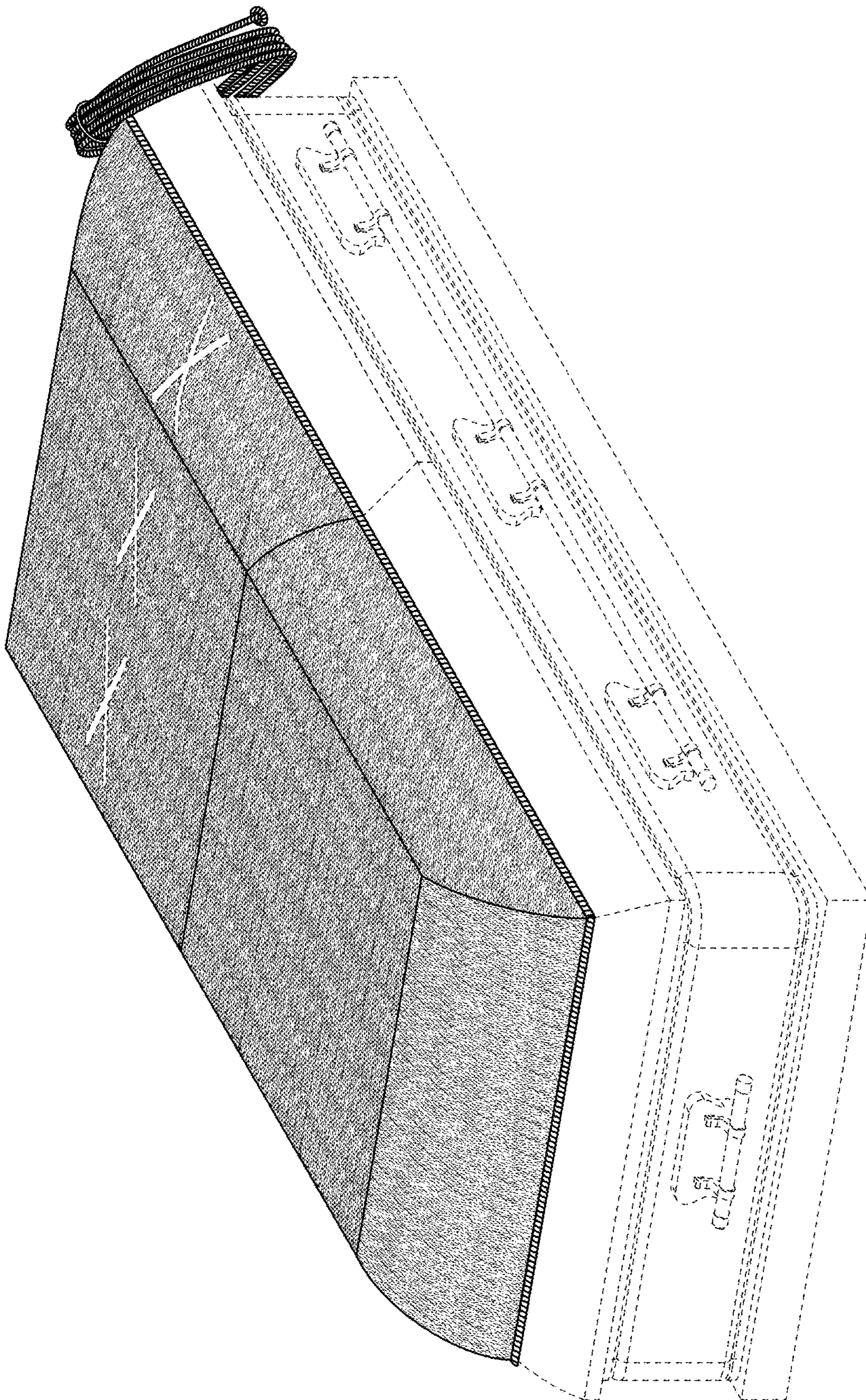


FIG. 1

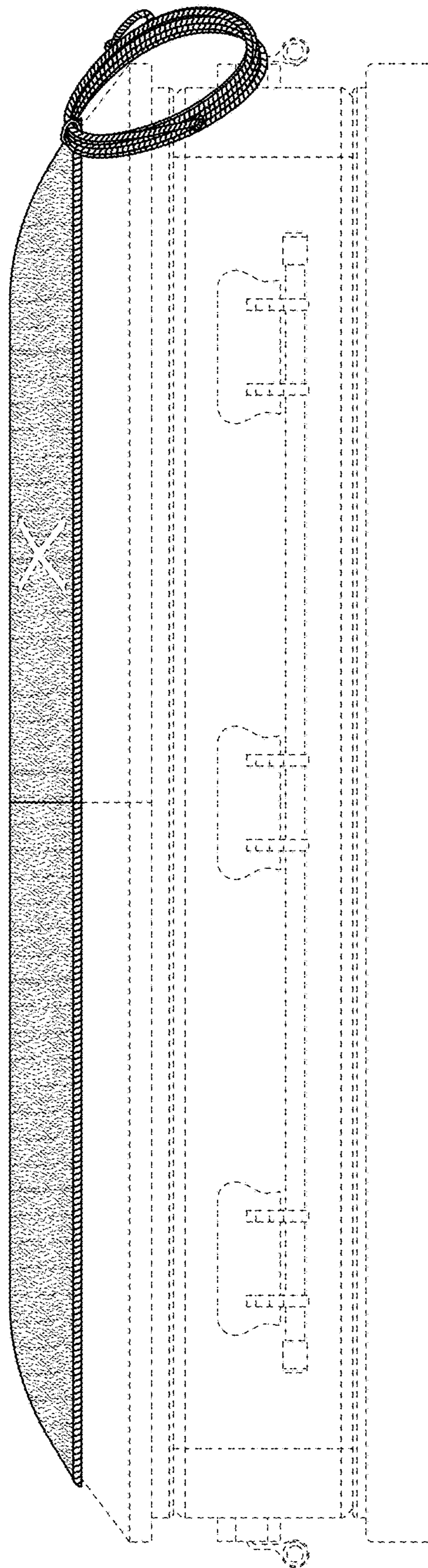


FIG. 2

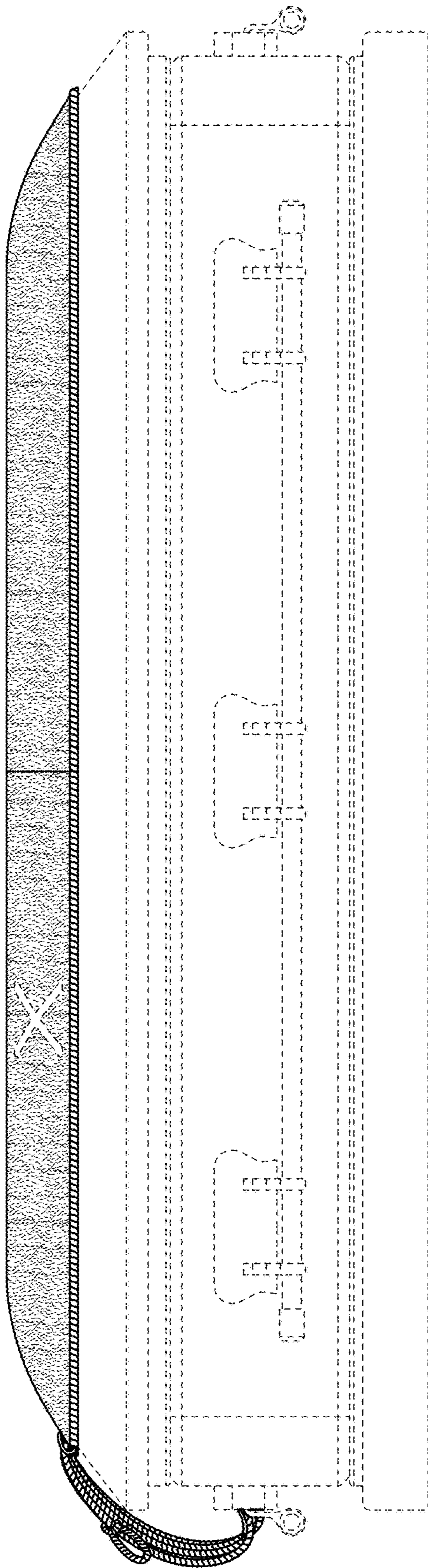


FIG. 3

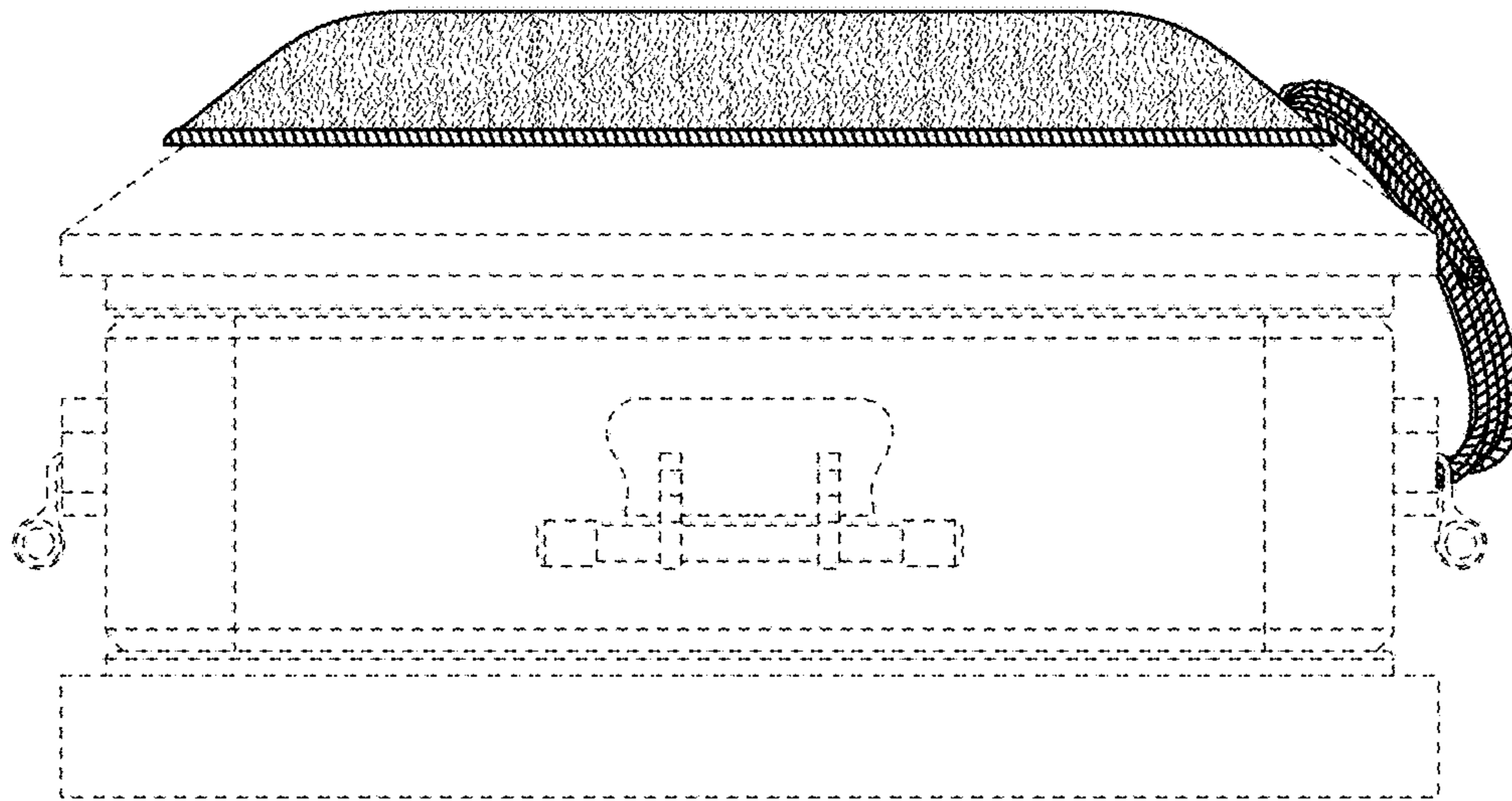


FIG. 4

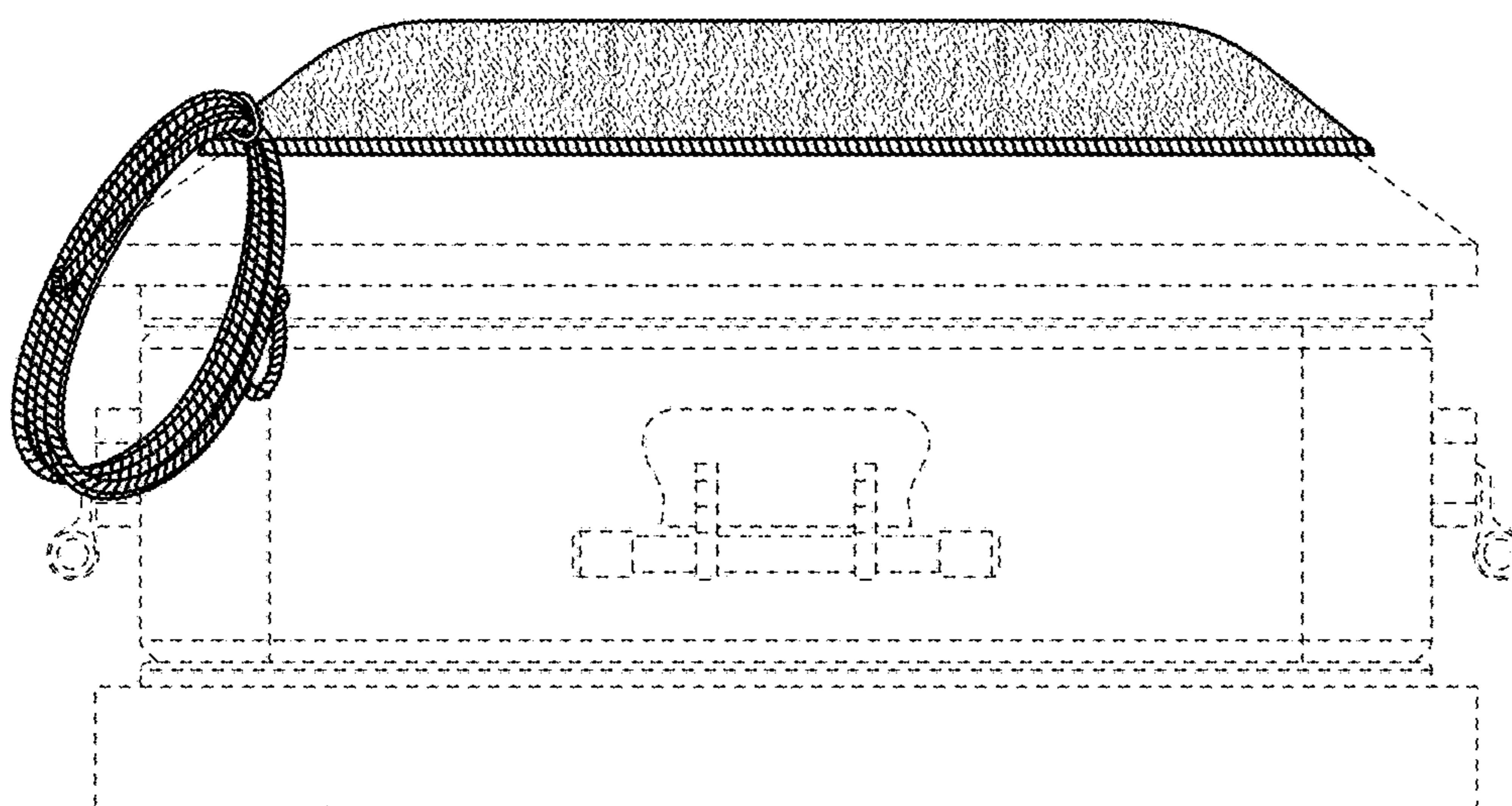


FIG. 5

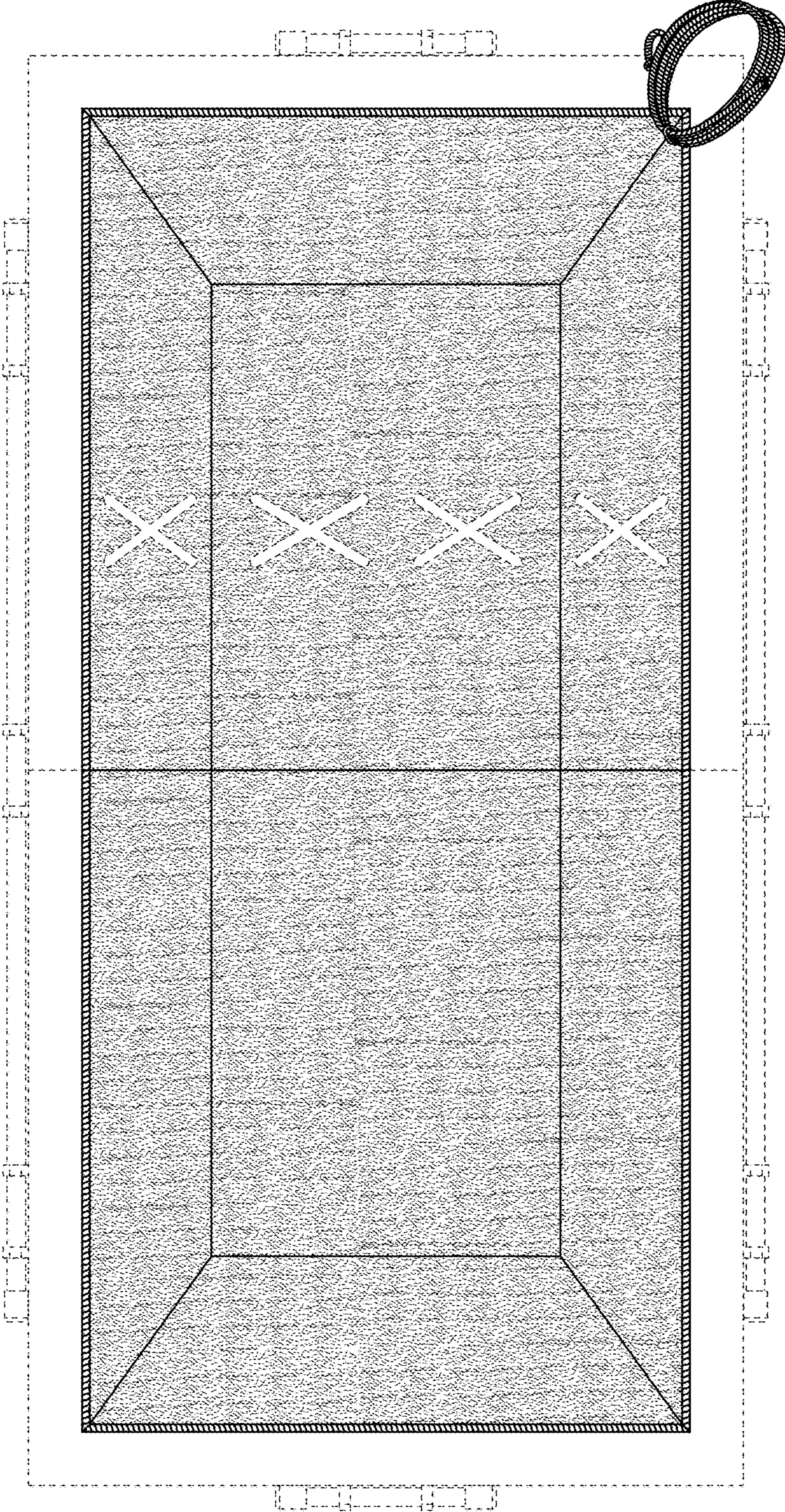


FIG. 6

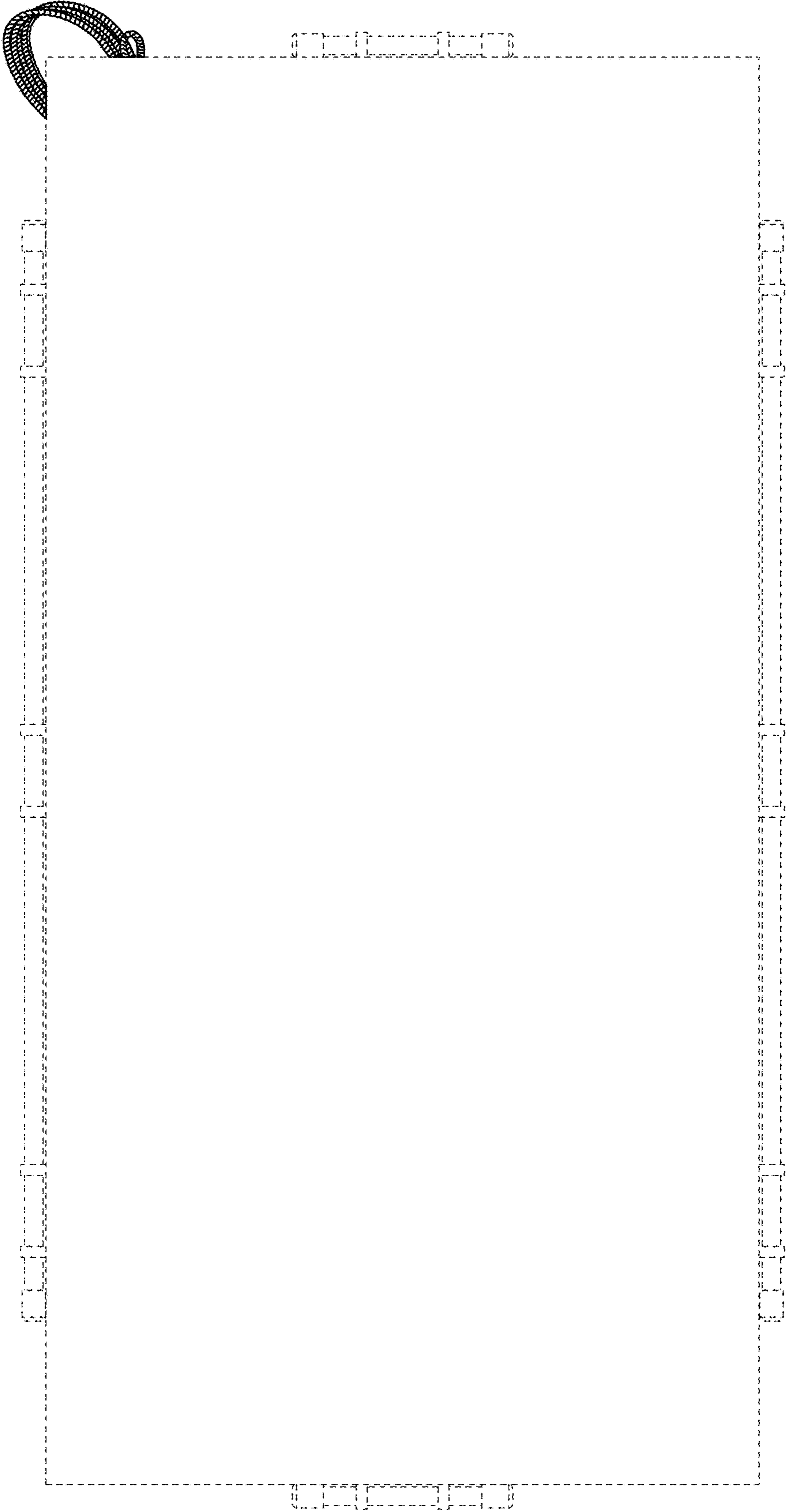


FIG. 7