

US00D800411S

(12) **United States Design Patent**
Cutler

(10) **Patent No.:** **US D800,411 S**

(45) **Date of Patent:** **** Oct. 17, 2017**

- (54) **STRAIGHT-SIDED BARREL**
- (71) Applicant: **Tenn South Distillery LLC**, Lynnville, TN (US)
- (72) Inventor: **Clayton Cutler**, Columbia, TN (US)
- (73) Assignee: **Tenn South Distillery LLC**, Lynnville, TN (US)
- (**) Term: **15 Years**
- (21) Appl. No.: **29/540,099**
- (22) Filed: **Sep. 21, 2015**
- (51) **LOC (10) Cl.** **09-02**
- (52) **U.S. Cl.**
USPC **D34/39**
- (58) **Field of Classification Search**
USPC D34/39; 211/85.22; 220/592.19, 4.04, 220/608, 606, 601, 634, 581, 619, 669, 220/758, 530, 630; 217/4, 49; D10/104.1; D27/148
CPC . B65D 85/72; B65D 1/16; B65D 9/04; B65D 1/46; G08B 15/001
See application file for complete search history.

- 4,489,847 A * 12/1984 Ames B65D 1/46 220/630
- D328,038 S * 7/1992 Bruce D10/104.1
- 5,466,115 A * 11/1995 Thornberg B65D 1/16 220/4.04
- D523,170 S * 6/2006 Xu D27/148
- D628,762 S * 12/2010 Fischer D34/39

* cited by examiner

Primary Examiner — Cynthia Ramirez

Assistant Examiner — Gino Colan

(74) *Attorney, Agent, or Firm* — PatentBest; Andrew McAleavey

(57) **CLAIM**

The ornamental design for a straight-sided barrel, as shown and described.

DESCRIPTION

FIG. 1 is a perspective view of a straight-sided barrel, showing my new design;
FIG. 2 is a front elevational view thereof;
FIG. 3 is a rear elevational view thereof;
FIG. 4 is a top plan view thereof;
FIG. 5 is a bottom plan view thereof;
FIG. 6 is a right elevational view thereof; and,
FIG. 7 is a left elevational view thereof.

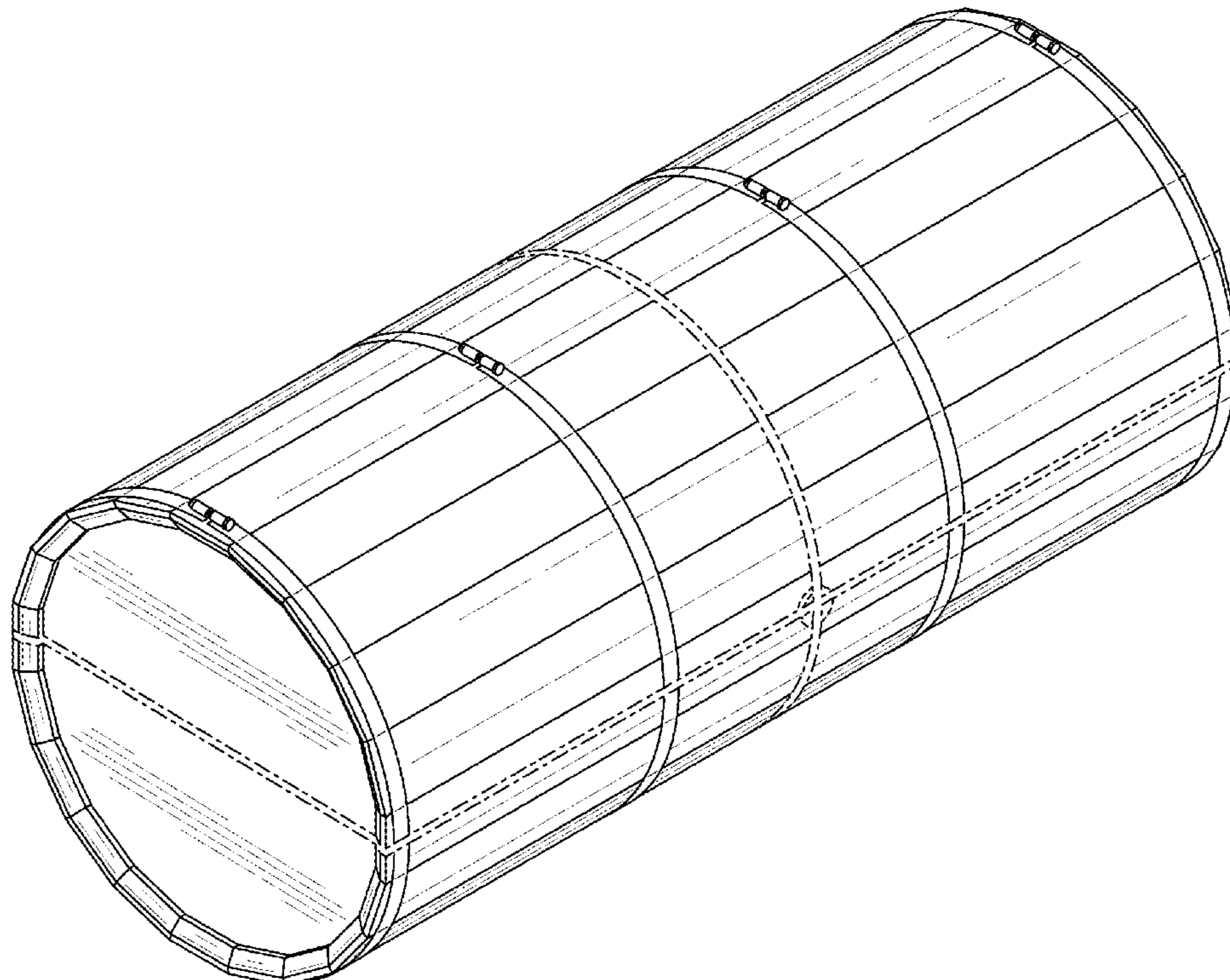
The dash-dash lines shown in the figures are for the purpose of illustrating environment and form no part of the claimed design. The dash-dot lines in the figures are for the purpose of illustrating boundaries of the design and form no part of the claimed design.

(56) **References Cited**

U.S. PATENT DOCUMENTS

- 684,012 A * 10/1901 Walker B65D 9/20 217/49
- D239,505 S * 4/1976 Ward D34/39

1 Claim, 6 Drawing Sheets



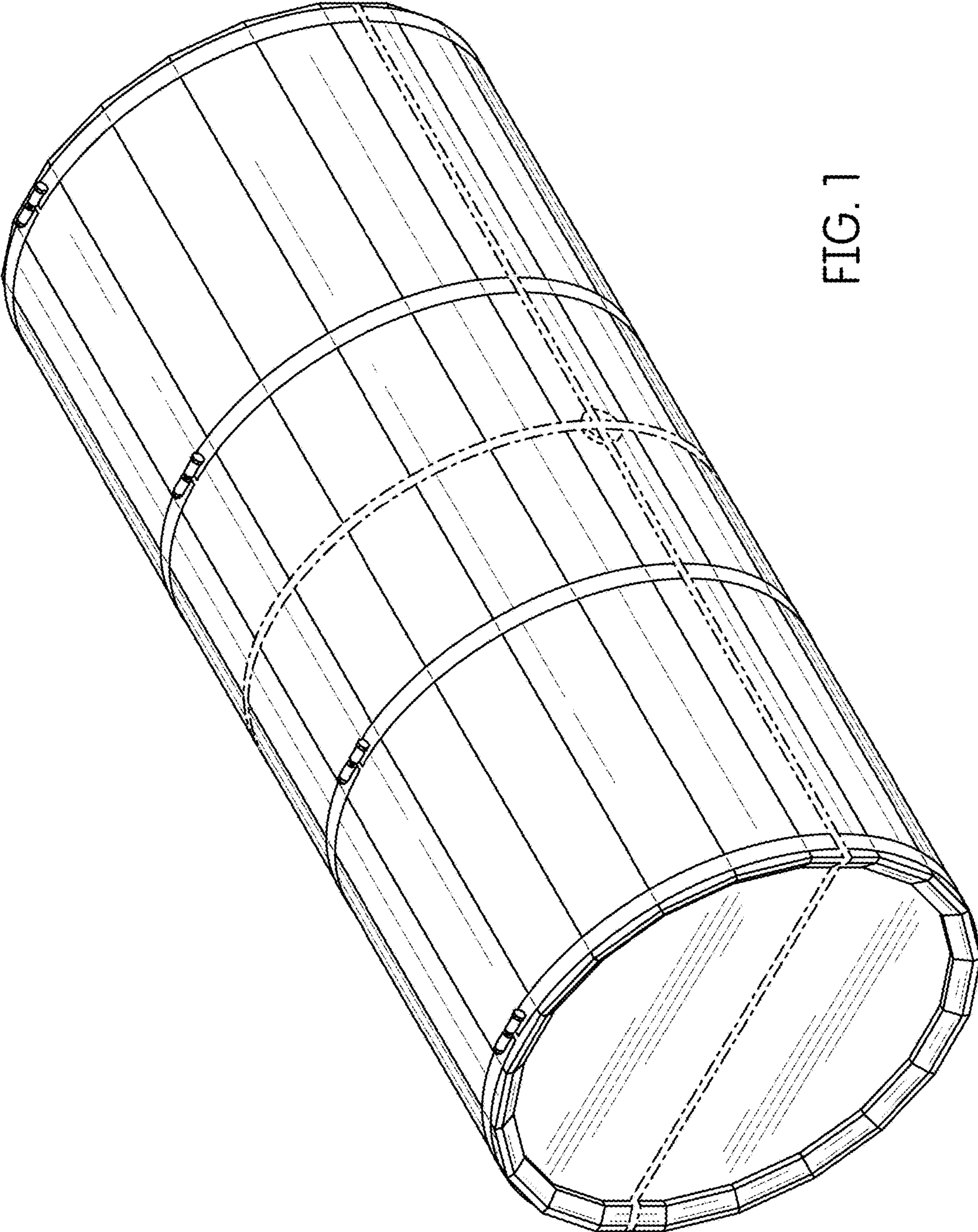


FIG. 1

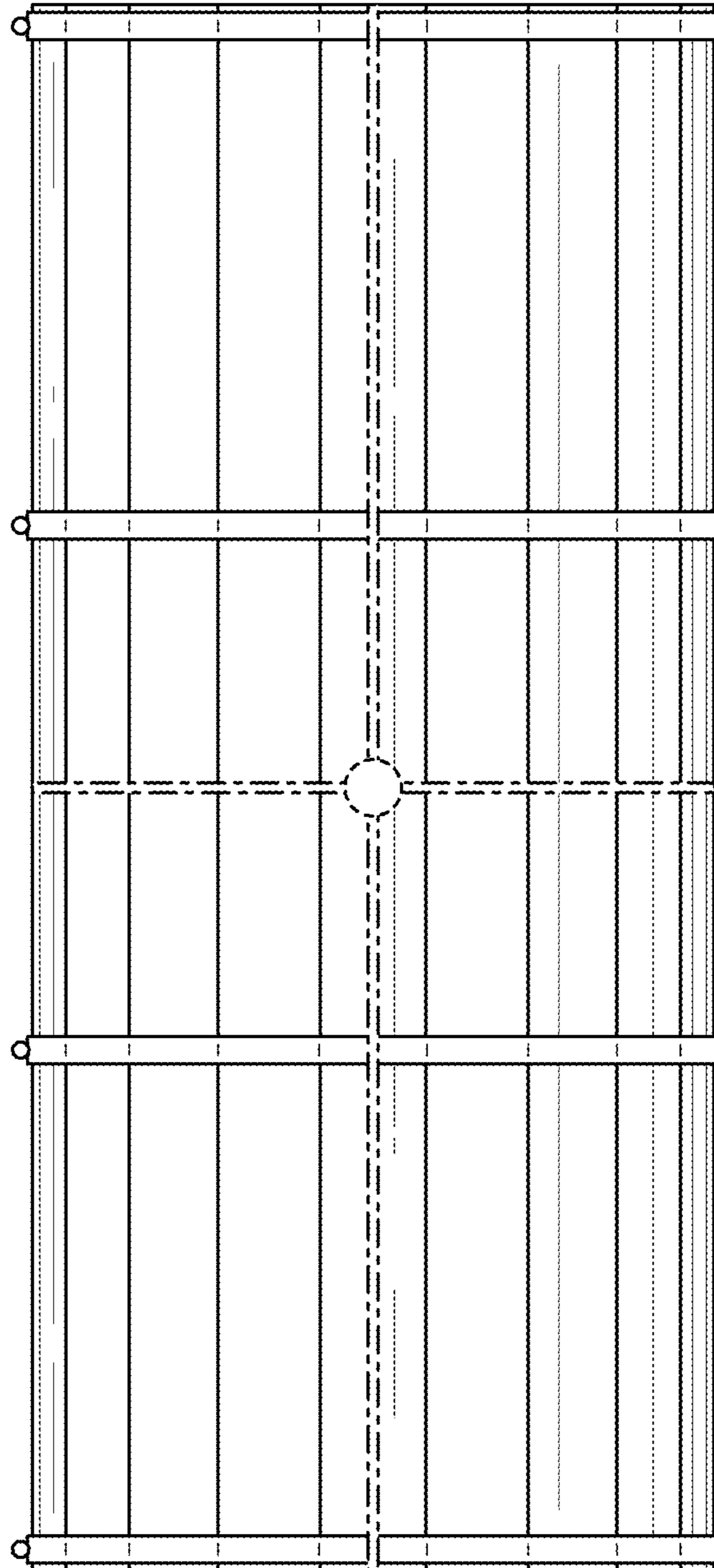


FIG. 2

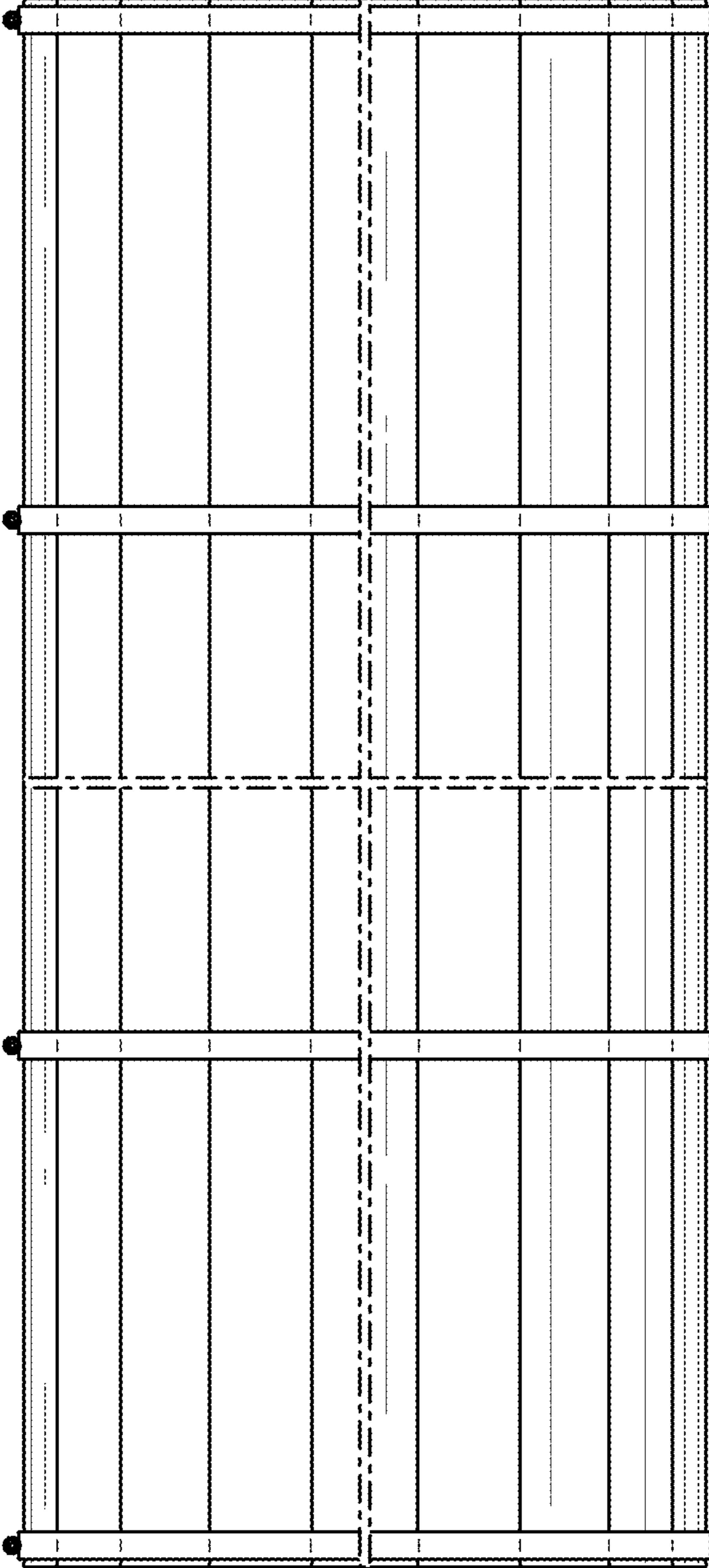


FIG. 3

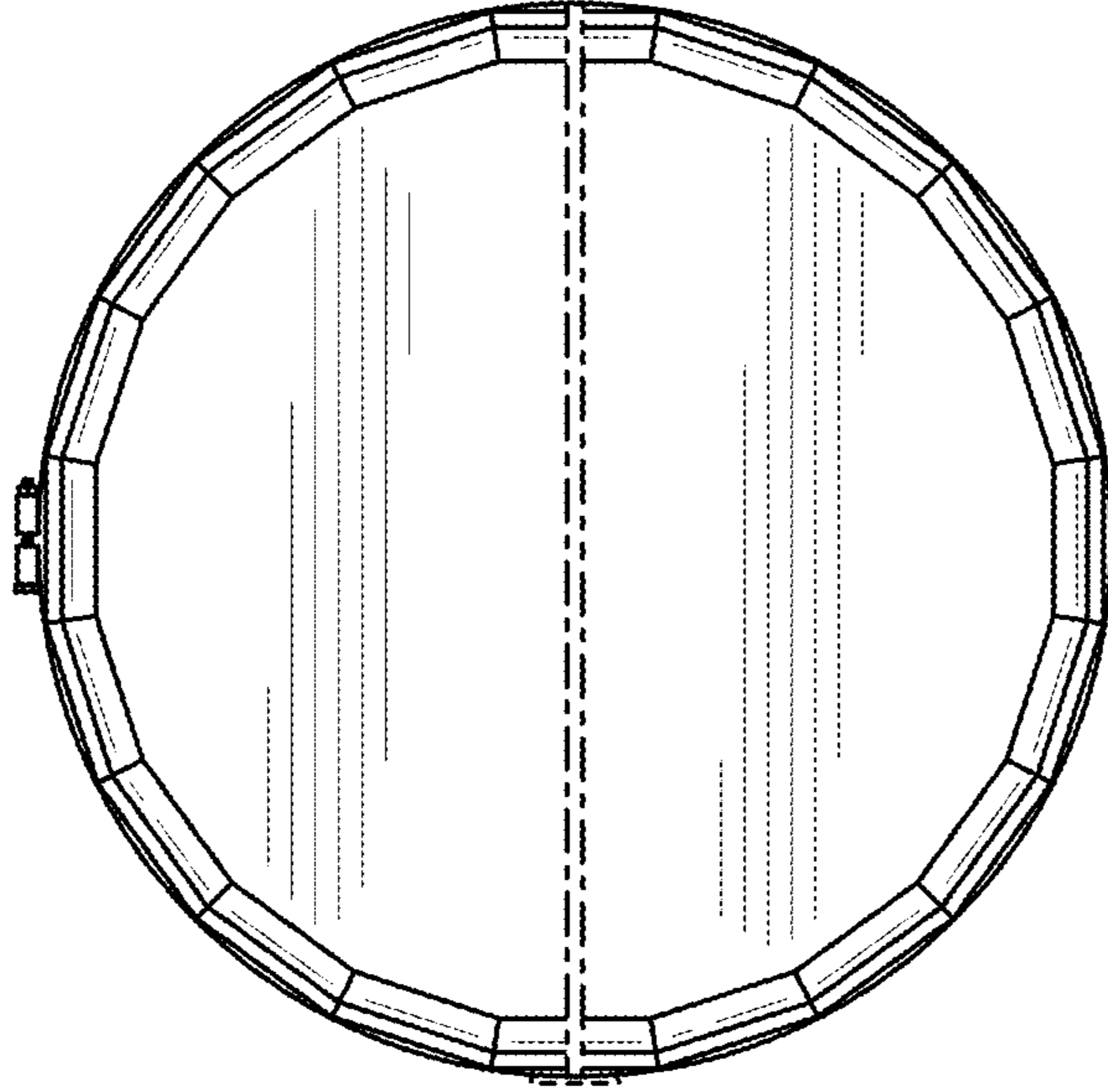


FIG. 5

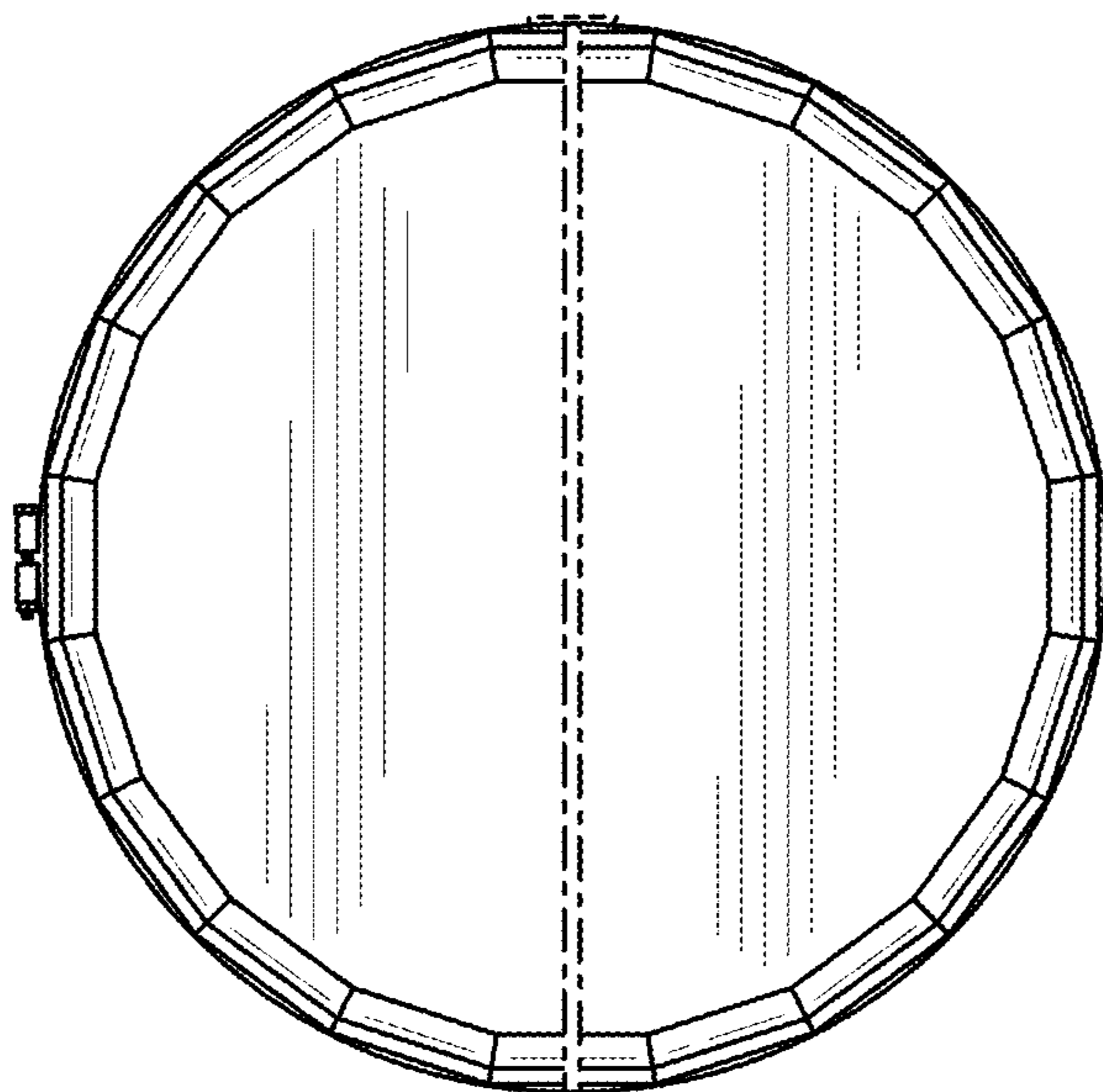


FIG. 4

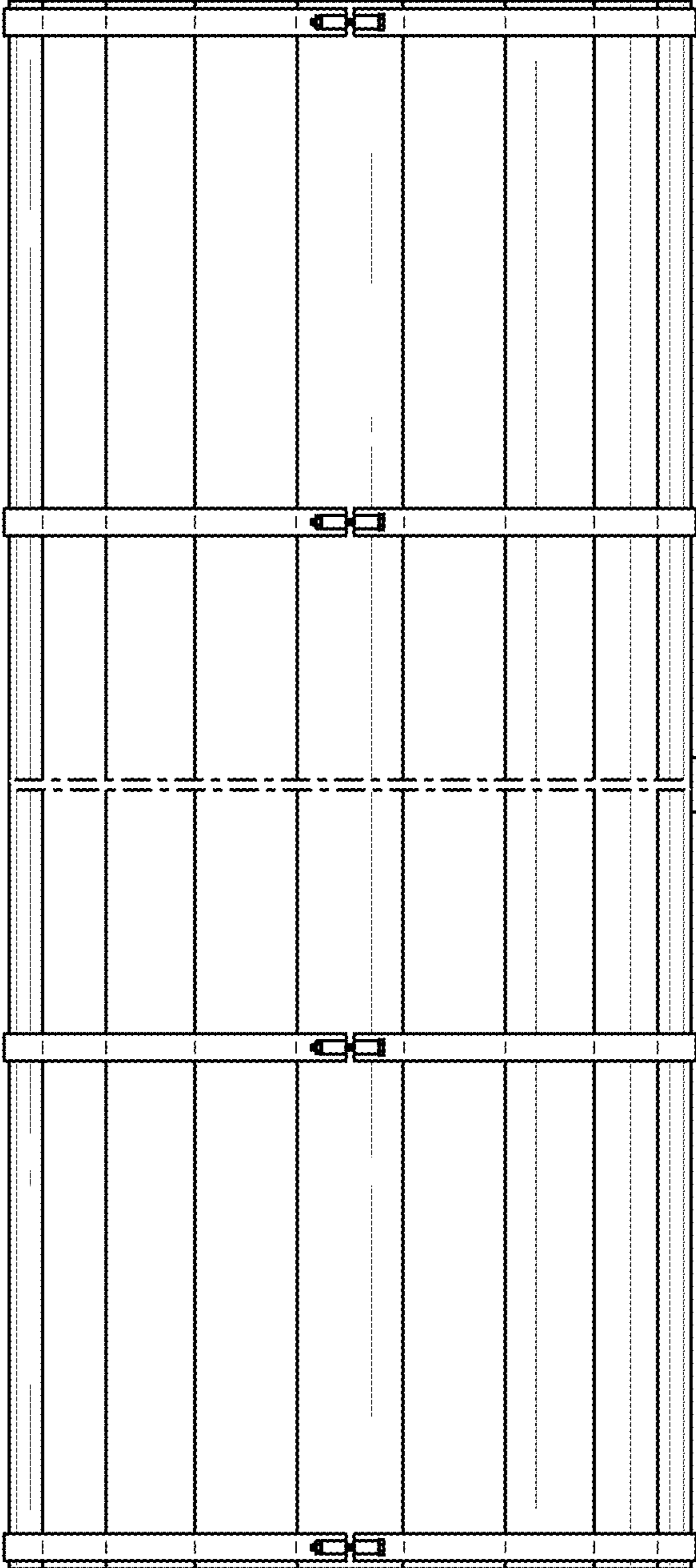


FIG. 6

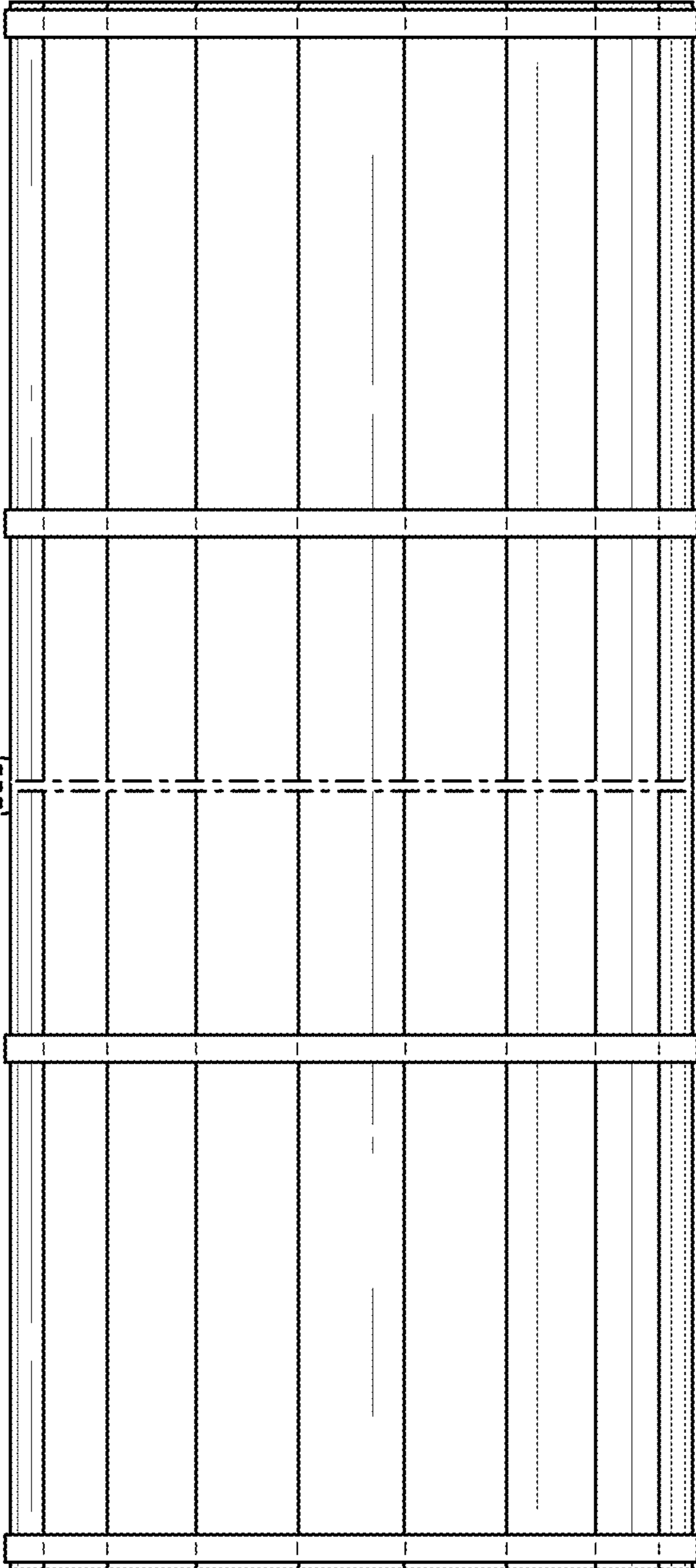


FIG. 7