



US00D800410S

(12) **United States Design Patent** (10) **Patent No.:** **US D800,410 S**
Bussinger et al. (45) **Date of Patent:** **** Oct. 17, 2017**

(54) **MATERIAL HANDLING CART**

FOREIGN PATENT DOCUMENTS

(71) Applicant: **AMIGO MOBILITY INTERNATIONAL, INC.**, Bridgeport, MI (US)

CA 1260842 9/1989
DE 93244 7/1897
(Continued)

(72) Inventors: **Allen Louis Bussinger**, Bridgeport, MI (US); **Jeremiah Vincent Schultz**, Bridgeport, MI (US)

OTHER PUBLICATIONS

Amigo Brochure a Revolutionary Concept in Wheelchair Design 5 pages.

(73) Assignee: **AMIGO MOBILITY INTERNATIONAL, INC.**, Bridgeport, MI (US)

(Continued)

(**) Term: **15 Years**

Primary Examiner — Cynthia Ramirez

Assistant Examiner — Gino Colan

(21) Appl. No.: **29/546,542**

(74) *Attorney, Agent, or Firm* — Rivenoak Law Group, P.C.

(22) Filed: **Nov. 23, 2015**

(57) **CLAIM**

(51) **LOC (10) Cl.** **12-05**

The ornamental design for a material handling cart, as shown and described.

(52) **U.S. Cl.**

USPC **D34/37; D34/34**

(58) **Field of Classification Search**

USPC D34/12, 17, 20, 21, 23, 26, 28, 18, 33,

D34/34, 36, 37; 280/79.11, 79.3, 33.997,

280/47.19, 47.34, 47.35, 47.17;

180/65.51, 11, 19.3, 14.1, 65.1; 414/604,

414/814; 410/4

CPC B62B 3/10; B62B 3/00; B62B 3/04; B62B

5/0093; B62B 5/0438

See application file for complete search history.

DESCRIPTION

FIG. 1 is a top perspective view of a material handling cart showing our new design;

FIG. 2 is a bottom perspective view thereof;

FIG. 3 is a left side elevational view thereof;

FIG. 4 is a right side elevational view thereof;

FIG. 5 is a front elevational view thereof;

FIG. 6 is a rear elevational view thereof;

FIG. 7 is a top plan view thereof;

FIG. 8 is a bottom plan view thereof;

FIG. 9 is a top perspective view thereof, in a storage condition; and,

FIG. 10 is a left side elevational view thereof, in a storage condition.

The broken lines in the drawings are included for the purpose of illustrating portions of the material handling cart and form no part of the claimed design.

(56) **References Cited**

U.S. PATENT DOCUMENTS

678,122 A 7/1901 Maxham et al.

1,492,487 A 4/1924 Stokes

1,565,719 A 12/1925 Dunkley

2,448,992 A 9/1948 Love et al.

2,461,401 A 2/1949 Trombley

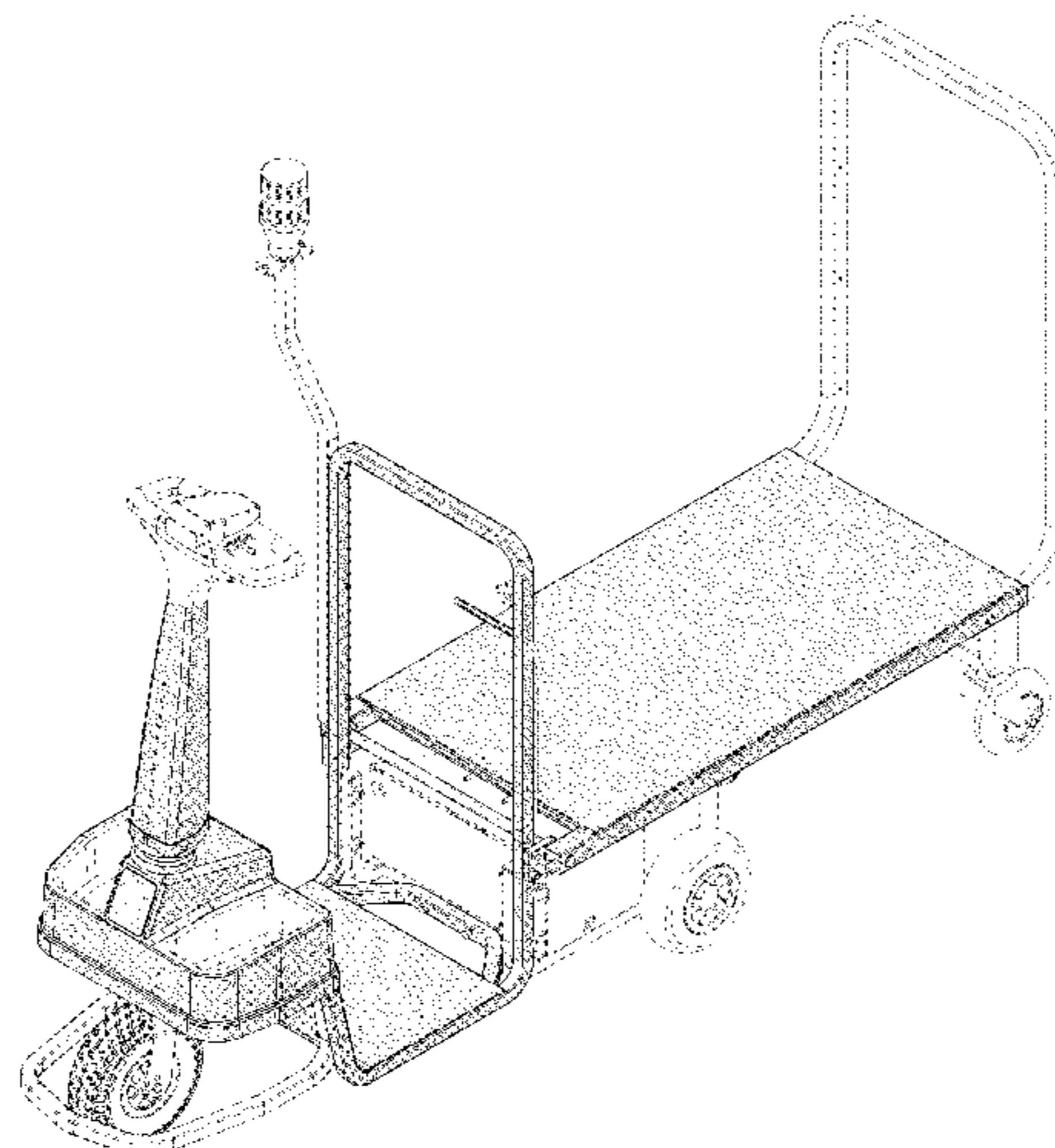
2,468,801 A 5/1949 Beall

2,495,573 A 1/1950 Duke

2,649,309 A 6/1951 Deissner

(Continued)

1 Claim, 8 Drawing Sheets



(56)

References Cited

U.S. PATENT DOCUMENTS

2,629,611 A 2/1953 Covington
 2,635,703 A 4/1953 Goeller
 2,639,785 A 5/1953 Vickers
 2,710,659 A 6/1955 Moederle
 2,782,076 A 2/1957 Miller
 2,782,870 A 2/1957 Sill
 D185,438 S * 6/1959 Jones D34/37
 2,919,756 A 1/1960 Knipe
 2,947,425 A 8/1960 Nichols
 2,978,053 A 4/1961 Schmidt
 2,993,550 A 7/1961 Klappert
 3,061,031 A 10/1962 Packard
 3,078,946 A 2/1963 Young
 3,095,099 A 6/1963 Costello
 3,100,547 A 8/1963 Rosenthal
 3,108,481 A 10/1963 Westmont
 3,117,653 A 1/1964 Altherr
 3,184,258 A 5/1965 Kapusta
 3,198,923 A 8/1965 Tripp
 3,249,171 A 5/1966 Kinghorn
 3,251,630 A 5/1966 Astley
 3,369,629 A 2/1968 Weiss
 3,387,681 A 6/1968 Rabjohn
 3,388,761 A 6/1968 Arpin
 3,412,820 A 11/1968 Wachholz
 D220,835 S 6/1971 Thieme
 3,605,929 A 9/1971 Rolland
 3,656,637 A 4/1972 Lynn et al.
 3,794,132 A 2/1974 Moon
 3,883,126 A 5/1975 Nicholls
 3,889,773 A 6/1975 Chant
 3,905,437 A 9/1975 Kaiho et al.
 3,910,432 A 10/1975 Browne et al.
 3,912,032 A 10/1975 Benz
 3,921,744 A 11/1975 Benoit et al.
 3,930,551 A 1/1976 Cragg
 3,939,931 A 2/1976 Benz
 3,957,164 A 5/1976 Brown
 3,979,137 A 9/1976 Lipscomb, Jr. et al.
 3,982,648 A 9/1976 Luedtke et al.
 D241,929 S 10/1976 Cospers
 4,010,499 A 3/1977 Davis et al.
 4,019,602 A 4/1977 Habiger
 4,039,093 A 8/1977 Schmitz et al.
 4,073,345 A 2/1978 Miller
 4,091,488 A 5/1978 Artzberger
 4,127,200 A 11/1978 Mann
 4,147,373 A 4/1979 Cully
 4,162,711 A 7/1979 Cornelius
 4,204,588 A 5/1980 Kawecki
 4,245,947 A 1/1981 Clement
 4,265,147 A 5/1981 Fox
 4,281,958 A 8/1981 Molski
 4,284,286 A 8/1981 Lewallen
 4,320,818 A 3/1982 Knoche
 4,350,227 A 9/1982 Knoche
 D266,499 S 10/1982 Twitchell et al.
 4,391,379 A 7/1983 Paffrath
 D269,960 S 8/1983 Cospers
 4,398,858 A 8/1983 Paffrath
 4,403,673 A 9/1983 Ball
 4,452,327 A 6/1984 Mowat
 D276,904 S 12/1984 Shepard
 4,503,925 A 3/1985 Palmer et al.
 4,504,094 A 3/1985 Burrows
 4,512,613 A 4/1985 Nassiri
 4,522,420 A 6/1985 Hannappel
 4,570,739 A 2/1986 Kramer
 D283,211 S 4/1986 Palmer et al.
 4,595,214 A 6/1986 Downing
 D285,187 S 8/1986 Piziks et al.
 D285,671 S 9/1986 Thieme et al.
 4,623,163 A 11/1986 Potts
 4,633,962 A 1/1987 Cox et al.
 4,666,008 A 5/1987 Shepard

4,729,447 A 3/1988 Morse
 4,750,578 A 6/1988 Brandenfels
 4,752,539 A 6/1988 Vatter
 4,756,978 A 7/1988 Nitcher et al.
 4,772,037 A 9/1988 Jones
 4,798,255 A 1/1989 Wu
 4,846,295 A 7/1989 Shepard et al.
 D303,101 S 8/1989 Shepard et al.
 4,886,294 A 12/1989 Nahachewski
 4,887,685 A 12/1989 Shepard et al.
 4,892,166 A 1/1990 Gaffney
 4,944,359 A 7/1990 Doman et al.
 4,947,955 A 8/1990 Hopely, Jr.
 4,953,645 A 9/1990 Korber et al.
 5,020,624 A 6/1991 Nesterick et al.
 5,071,150 A 12/1991 Conrad
 5,074,372 A 12/1991 Schepis
 5,090,513 A 2/1992 Bussinger
 5,090,517 A 2/1992 Doughty
 5,121,806 A 6/1992 Johnson
 5,154,251 A 10/1992 Fought
 5,161,630 A 11/1992 Garin, III et al.
 5,181,733 A 1/1993 Tague
 5,207,439 A 5/1993 Mortenson
 5,238,082 A 8/1993 Stegema et al.
 5,316,328 A 5/1994 Bussinger
 5,322,140 A 6/1994 Bussinger
 5,333,702 A 8/1994 Gaffney et al.
 5,388,659 A 2/1995 Pepe
 5,394,968 A 3/1995 Yu-Shu
 5,452,775 A 9/1995 Bussinger
 5,478,196 A * 12/1995 Avitan B62B 3/0612
 414/641
 5,497,844 A 3/1996 Fritzing
 5,695,021 A 12/1997 Schaffner et al.
 5,714,815 A 2/1998 Fritzing et al.
 6,056,077 A 5/2000 Kobayashi
 6,170,592 B1 1/2001 Wu
 6,176,337 B1 1/2001 McConnell et al.
 6,260,643 B1 * 7/2001 Schuchardt B62B 3/1404
 180/14.1
 6,273,206 B1 8/2001 Bussinger
 6,523,661 B1 2/2003 Bussinger
 6,729,421 B1 * 5/2004 Gluck A61G 7/08
 180/11
 6,834,734 B2 12/2004 Wu
 7,023,177 B1 4/2006 Bussinger
 7,389,836 B2 * 6/2008 Johnson B60L 11/18
 180/65.1
 7,451,848 B2 11/2008 Flowers et al.
 7,549,651 B2 * 6/2009 Holtan B62B 3/1404
 180/19.1
 D605,374 S * 12/2009 Nishikawa D34/34
 7,841,436 B2 11/2010 Bussinger
 7,926,606 B2 4/2011 Wang
 8,591,154 B2 * 11/2013 Bartels B60P 3/073
 410/4
 8,684,373 B2 * 4/2014 Holtan B62B 3/1404
 280/33.991
 8,776,932 B1 7/2014 Bussinger et al.
 2003/0231945 A1 * 12/2003 Weatherly B62B 3/1404
 414/604
 2004/0256164 A1 12/2004 Huang
 2004/0256166 A1 * 12/2004 Holtan B60B 33/0007
 180/65.51
 2009/0020350 A1 1/2009 Wu
 2013/0062846 A1 3/2013 Hsiao
 2013/0098698 A1 * 4/2013 Johnson A47L 11/10
 180/65.1

FOREIGN PATENT DOCUMENTS

DE 3133636 3/1983
 EP 0204040 12/1986
 EP 338689 10/1989
 FR 1540324 8/1968
 GB 757275 9/1956
 GB 1149505 4/1966

(56)

References Cited

FOREIGN PATENT DOCUMENTS

GB	1087225	10/1967
GB	1383457	2/1975
GB	1401961	8/1975
GB	1427838	3/1976
GB	1569967	6/1980
IT	537091	12/1955
WO	9006097	6/1990

OTHER PUBLICATIONS

Health Aid Services, Inc. A-Bee Scoota pamphlet 2 pages.
E.F. Brewer Company Portascoot pamphlet 2 pages.
E.F. Brewer Company Portascoot The Alternative pamphlet 4 pages.
Voyager Inc. Voyager II (prior art) 5 pages.
Voyager Inc. Voyager IV (prior art) 4 pages.
Voyager Inc. Voyager VI (prior art) 4 pages.
New Equipment Digest, 6/73, p. 19, Compact Electric Cart, top of page.

* cited by examiner

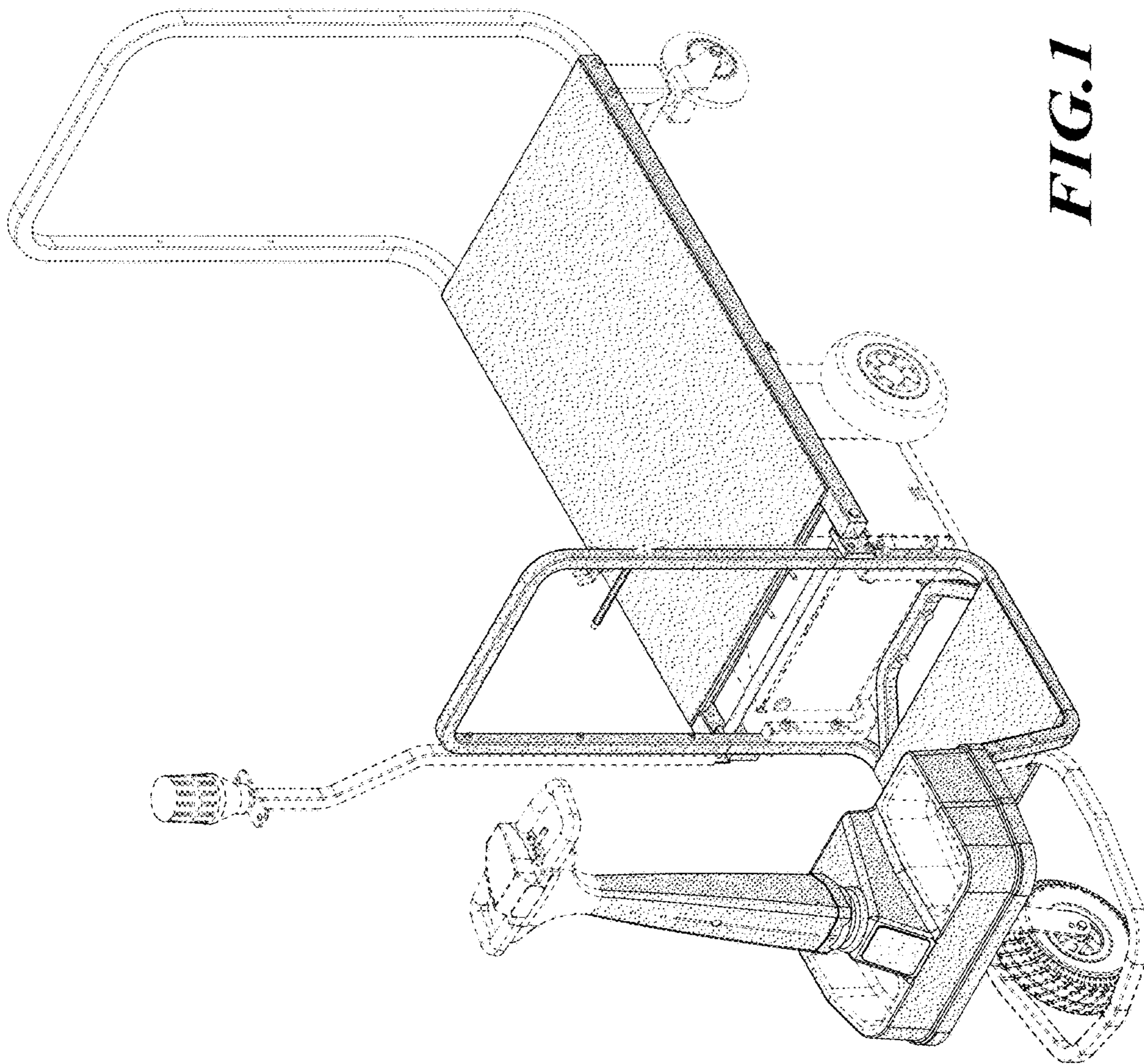


FIG. 1

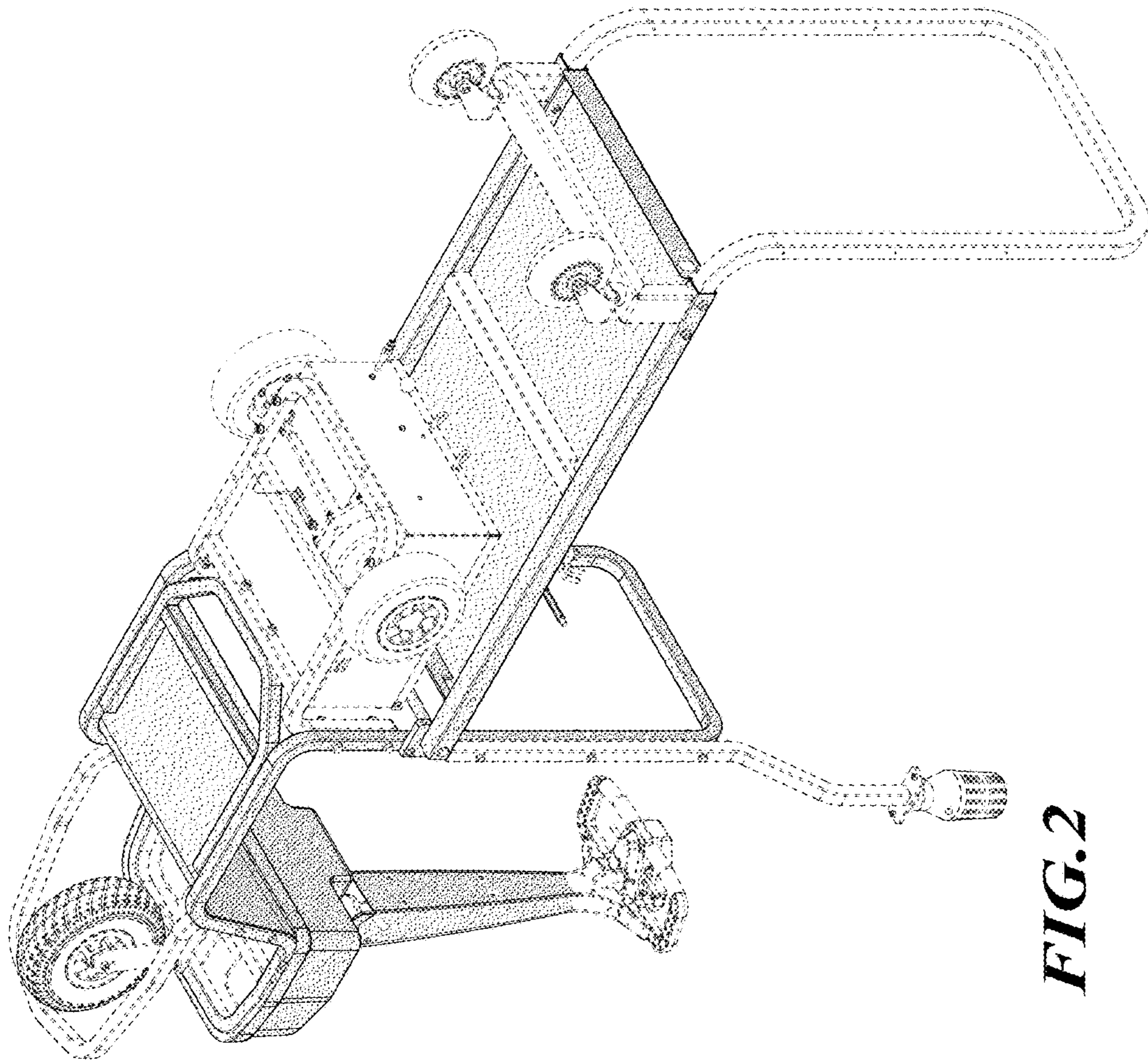


FIG. 2

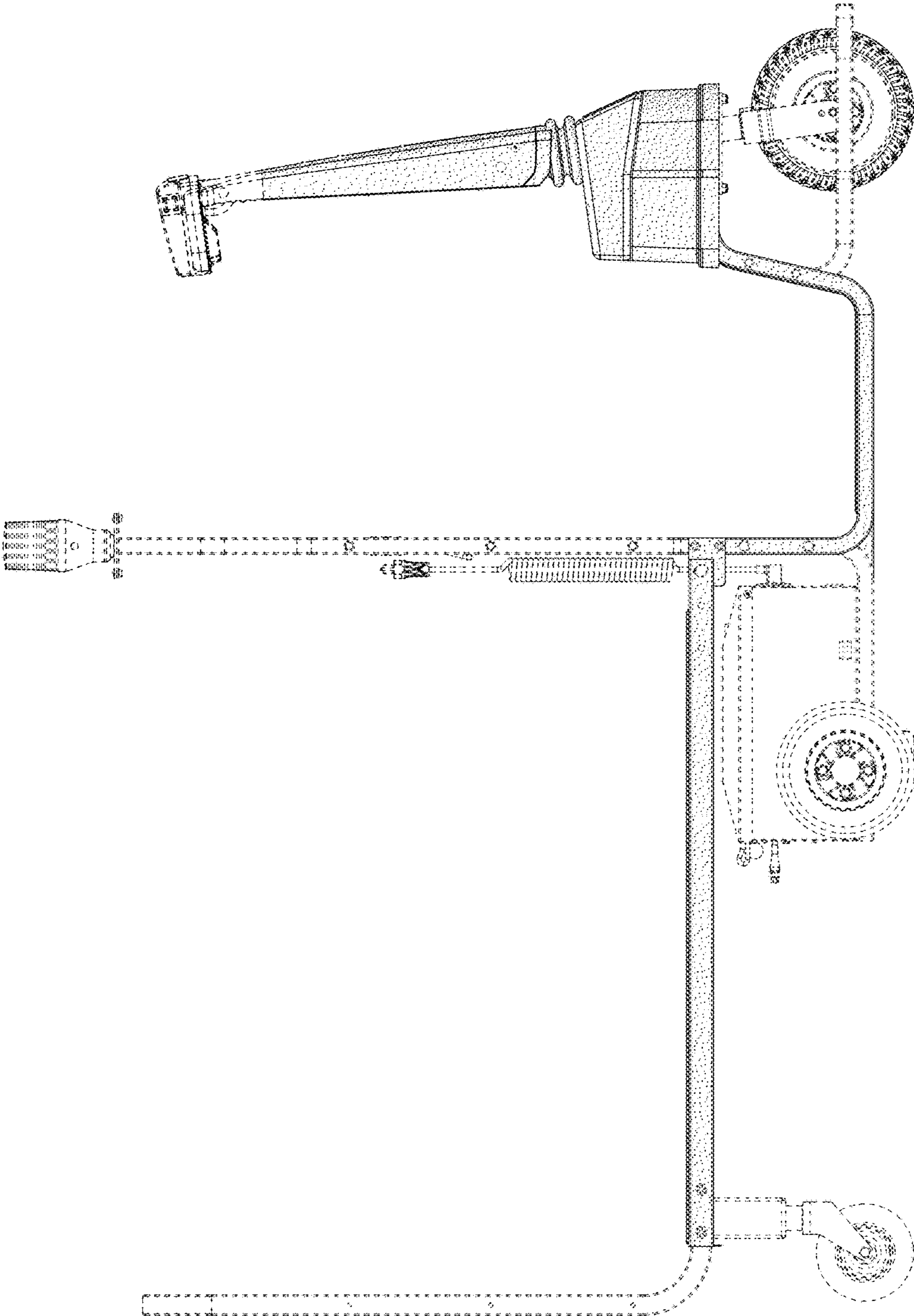


FIG.3

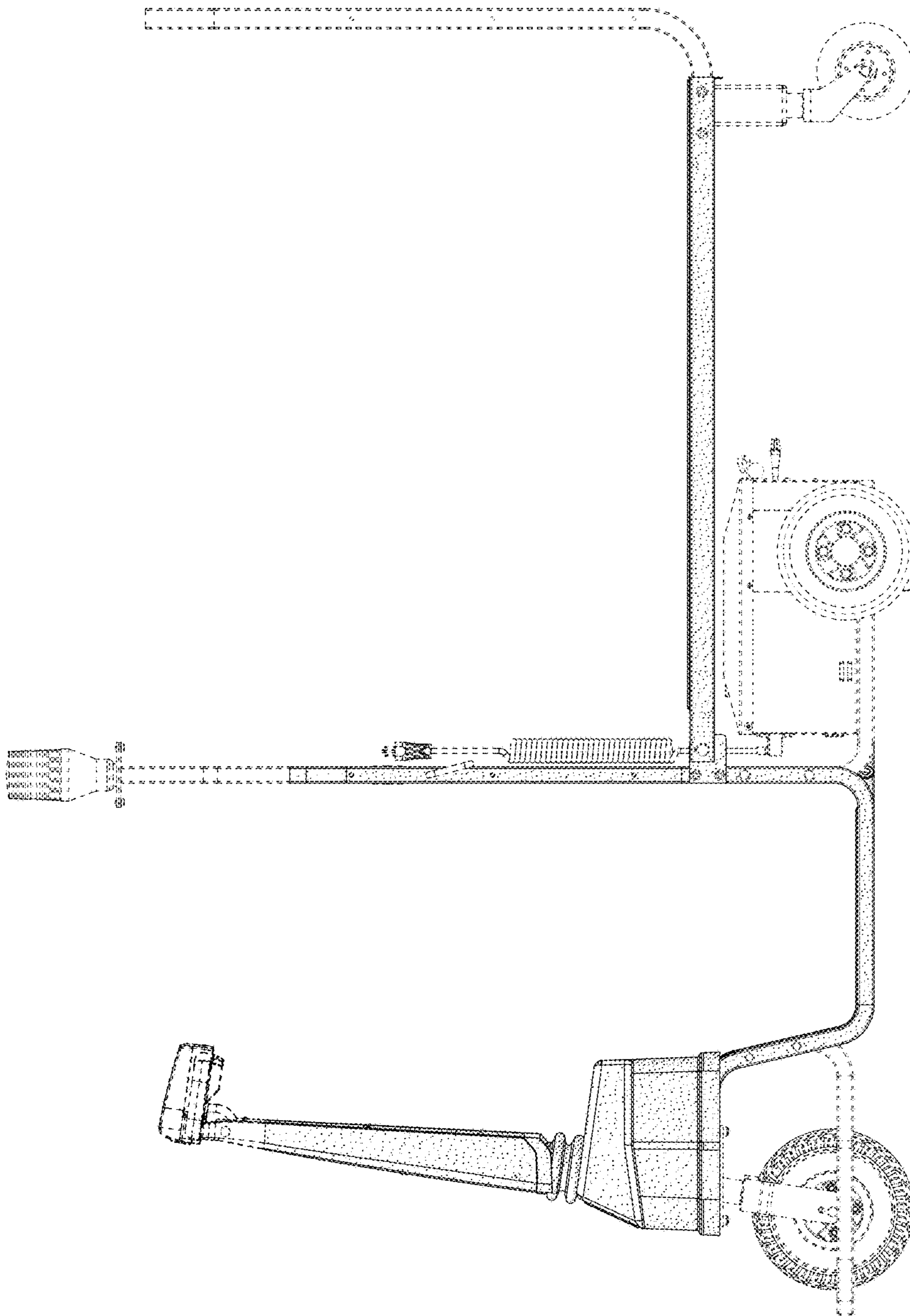


FIG.4

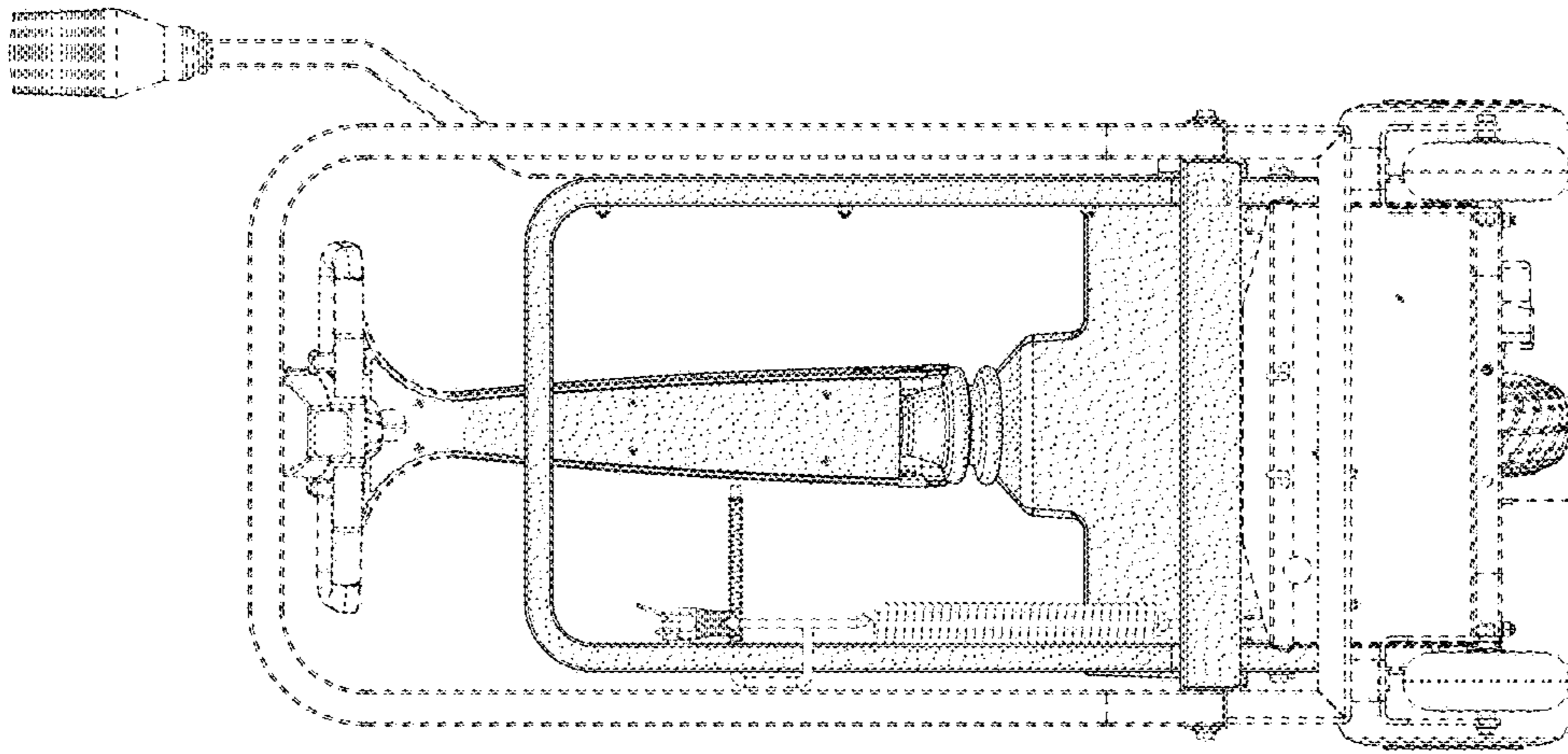


FIG. 6

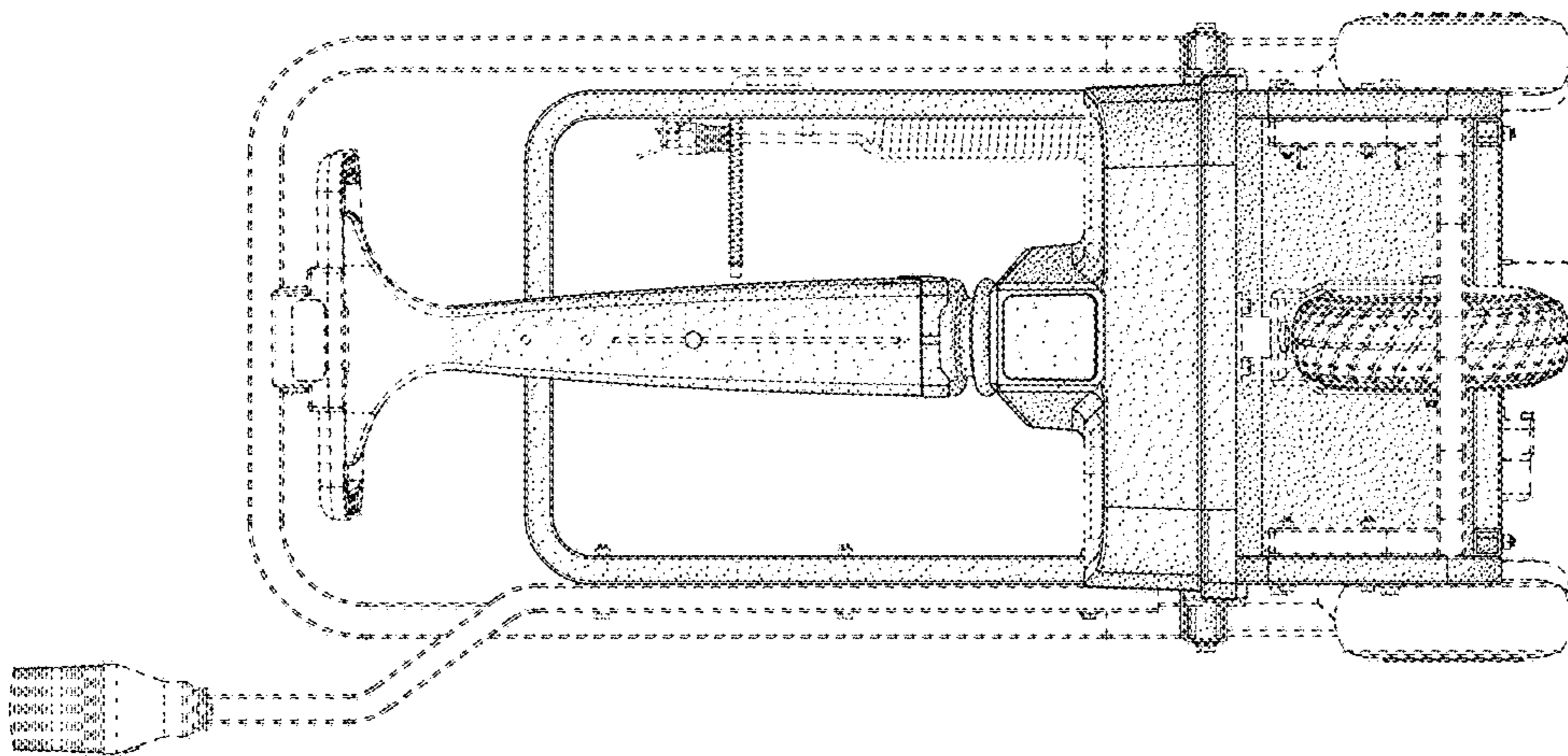


FIG. 5

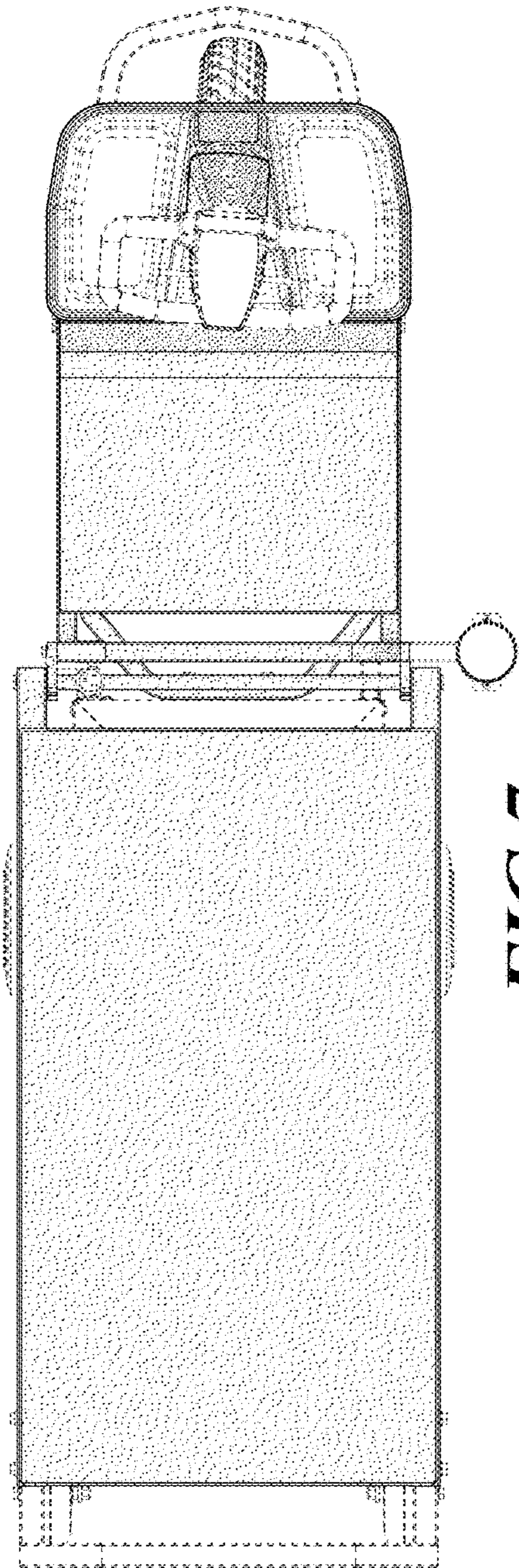


FIG. 7

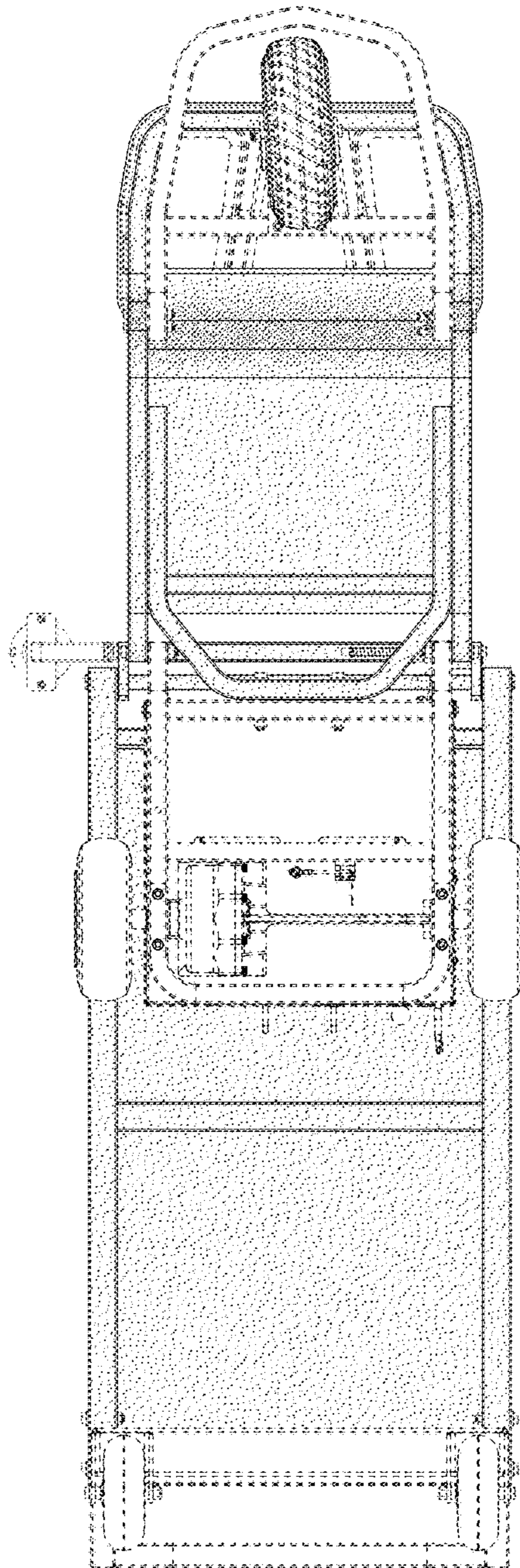


FIG. 8

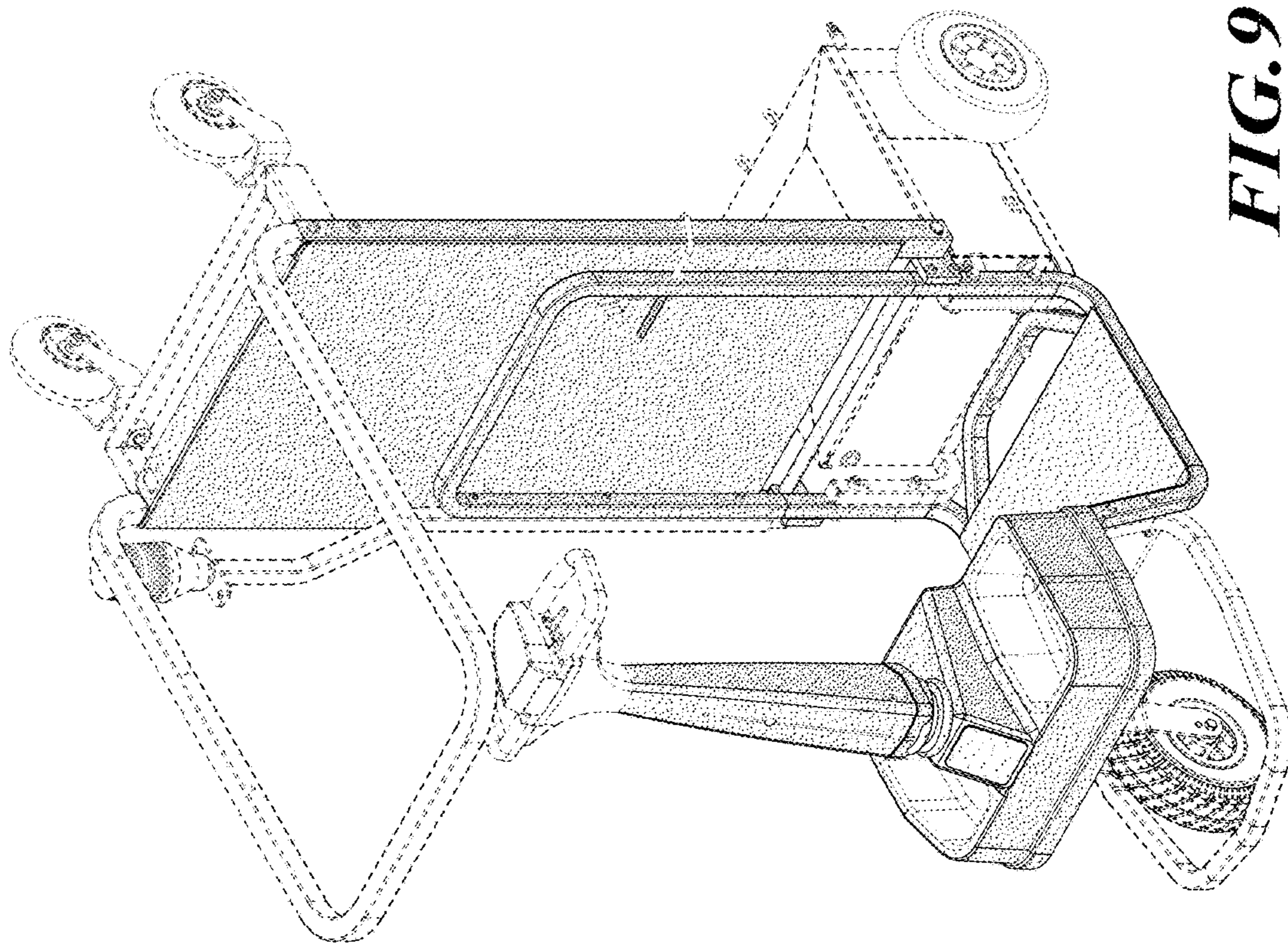


FIG. 9

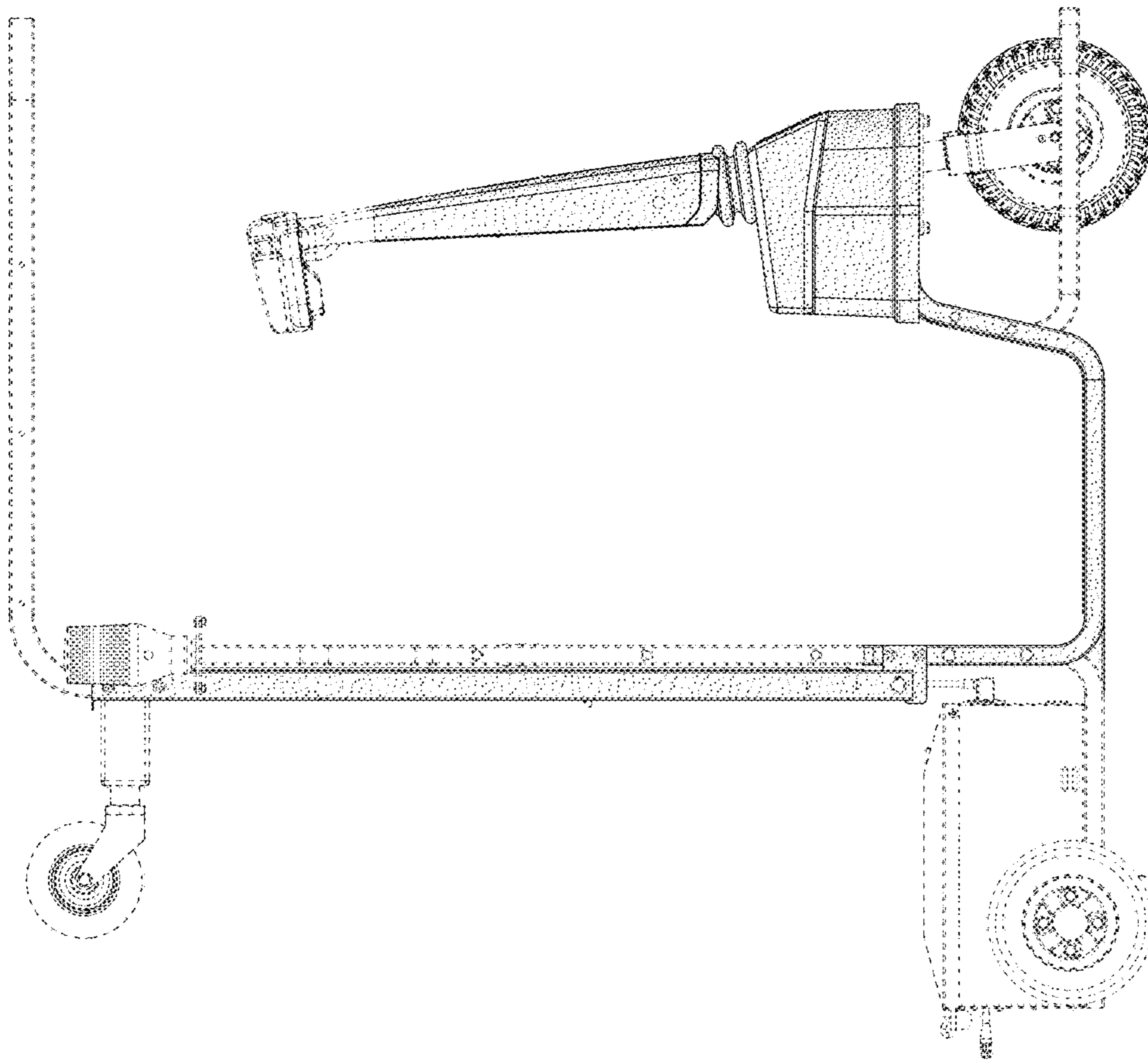


FIG. 10