



US00D800409S

(12) **United States Design Patent**
Bussinger et al.

(10) **Patent No.:** **US D800,409 S**
(45) **Date of Patent:** **** Oct. 17, 2017**

- (54) **MATERIAL HANDLING CART**
- (71) Applicant: **AMIGO MOBILITY INTERNATIONAL, INC.**, Bridgeport, MI (US)
- (72) Inventors: **Allen Louis Bussinger**, Bridgeport, MI (US); **Jeremiah Vincent Schultz**, Bridgeport, MI (US)
- (73) Assignee: **AMIGO MOBILITY INTERNATIONAL, INC.**, Bridgeport, MI (US)

6,260,643	B1 *	7/2001	Schuchardt	B62B 3/1404
					180/14.1
6,729,421	B1 *	5/2004	Gluck	A61G 7/08
					180/11
7,389,836	B2 *	6/2008	Johnson	B60L 11/18
					180/65.1
7,549,651	B2 *	6/2009	Holtan	B62B 3/1404
					180/19.1
D605,374	S *	12/2009	Nishikawa	D34/34
8,591,154	B2 *	11/2013	Bartels	B60P 3/073
					410/4
8,684,373	B2 *	4/2014	Holtan	B62B 3/1404
					280/33.991
2003/0231945	A1 *	12/2003	Weatherly	B62B 3/1404
					414/604

(**) Term: **15 Years**

(Continued)

(21) Appl. No.: **29/572,428**

Primary Examiner — Cynthia Ramirez

(22) Filed: **Jul. 27, 2016**

Assistant Examiner — Gino Colan

Related U.S. Application Data

(74) *Attorney, Agent, or Firm* — Rivenoak Law Group, P.C.

(63) Continuation-in-part of application No. 29/546,542, filed on Nov. 23, 2015.

(51) **LOC (10) Cl.** **12-05**

(52) **U.S. Cl.**
USPC **D34/34**

(58) **Field of Classification Search**
USPC D34/12, 17, 20, 21, 23, 26, 28, 18, 33, D34/34, 36, 37; 280/79.11, 79.3, 33.997, 280/47.19, 47.34, 47.35, 47.17; 180/65.51, 11, 19.3, 14.1, 65.1; 414/604, 414/814; 410/4
CPC B62B 3/10; B62B 3/00; B62B 3/04; B62B 5/0093; B62B 5/0438
See application file for complete search history.

(57) **CLAIM**

The ornamental design for a material handling cart, as shown and described.

DESCRIPTION

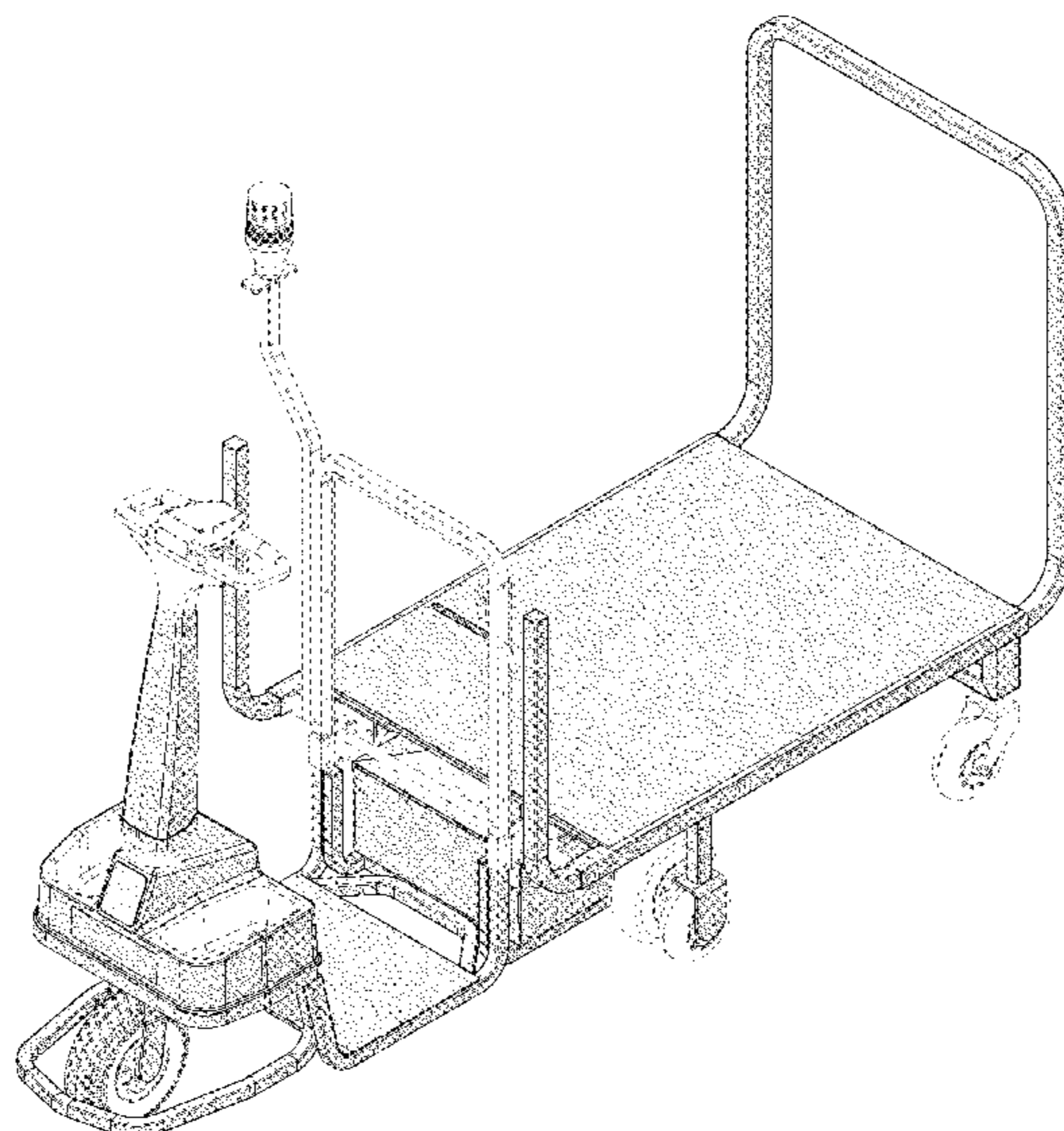
FIG. 1 is a top perspective view of a material handling cart showing our new design;
FIG. 2 is a bottom perspective view thereof;
FIG. 3 is a left side elevational view thereof;
FIG. 4 is a right side elevational view thereof;
FIG. 5 is a front elevational view thereof;
FIG. 6 is a rear elevational view thereof;
FIG. 7 is a top plan view thereof; and,
FIG. 8 is a bottom plan view thereof.
The broken lines in the drawings are included for the purpose of illustrating portions of the material handling cart and form no part of the claimed design.

(56) **References Cited**

U.S. PATENT DOCUMENTS

D185,438	S *	6/1959	Jones	D34/37
5,478,196	A *	12/1995	Avitan	B62B 3/0612
					414/641

1 Claim, 6 Drawing Sheets



(56)

References Cited

U.S. PATENT DOCUMENTS

2004/0256166 A1* 12/2004 Holtan B60B 33/0007
180/65.51
2013/0098698 A1* 4/2013 Johnson A47L 11/10
180/65.1

* cited by examiner

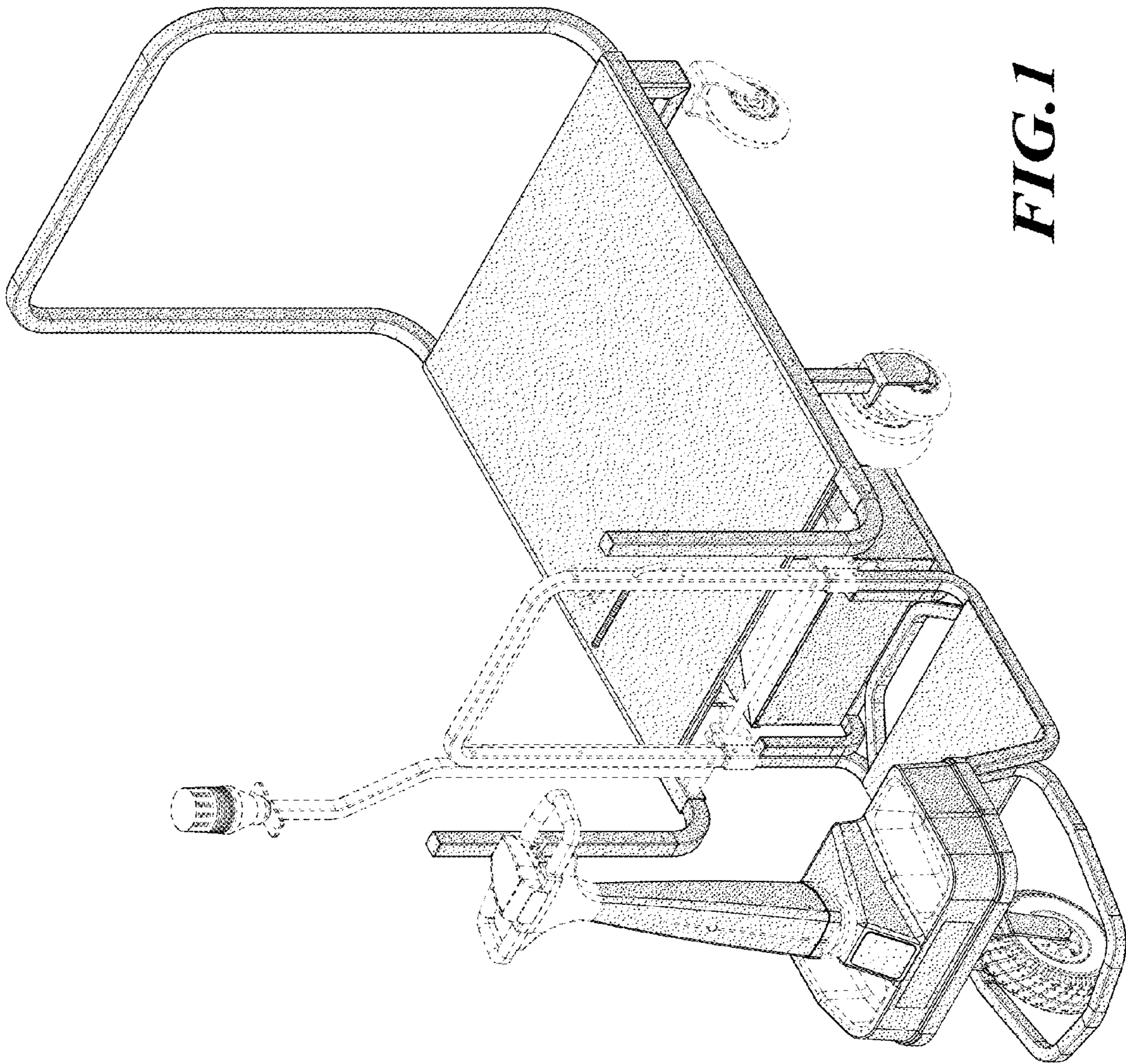


FIG. 1

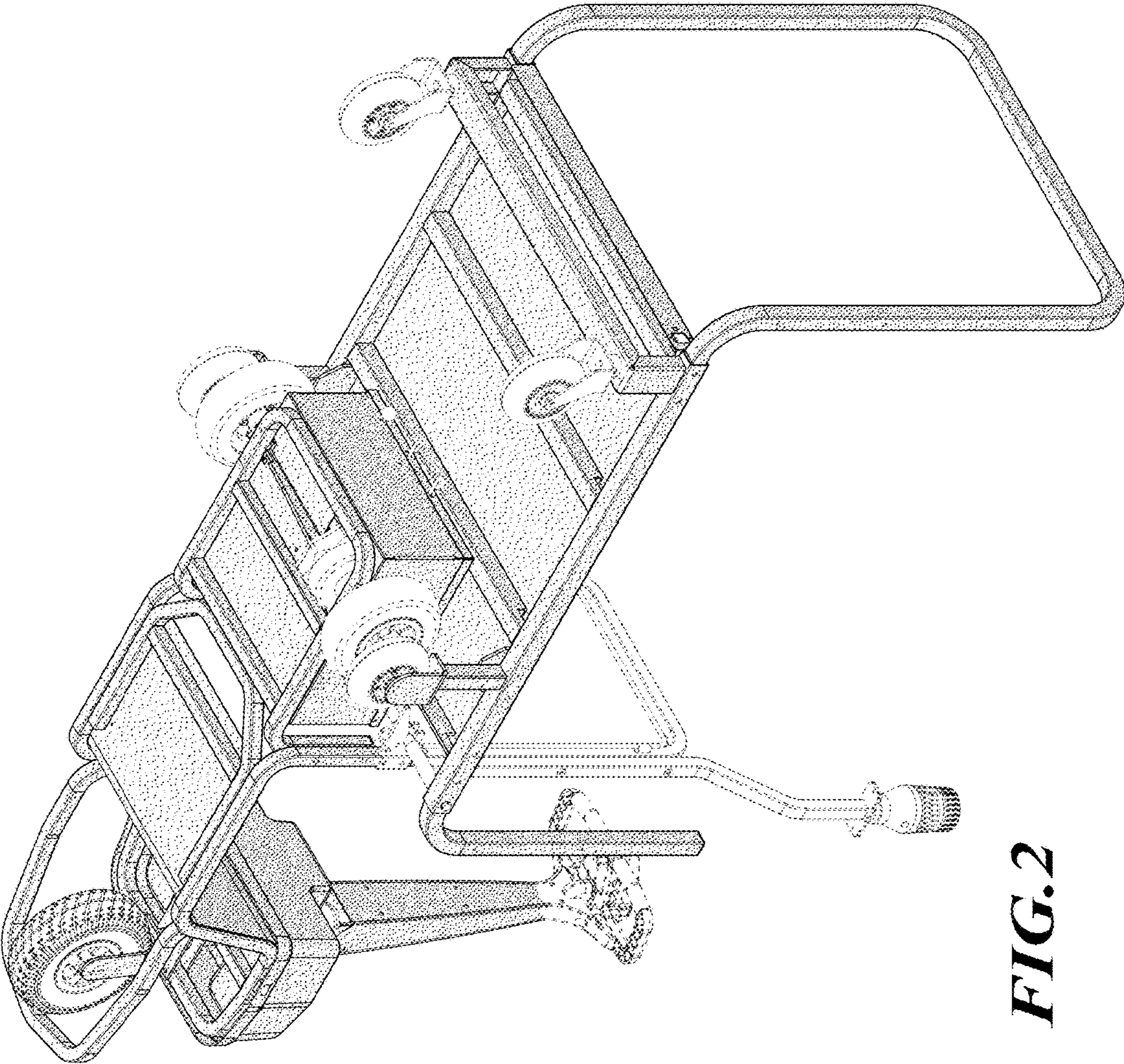


FIG. 2

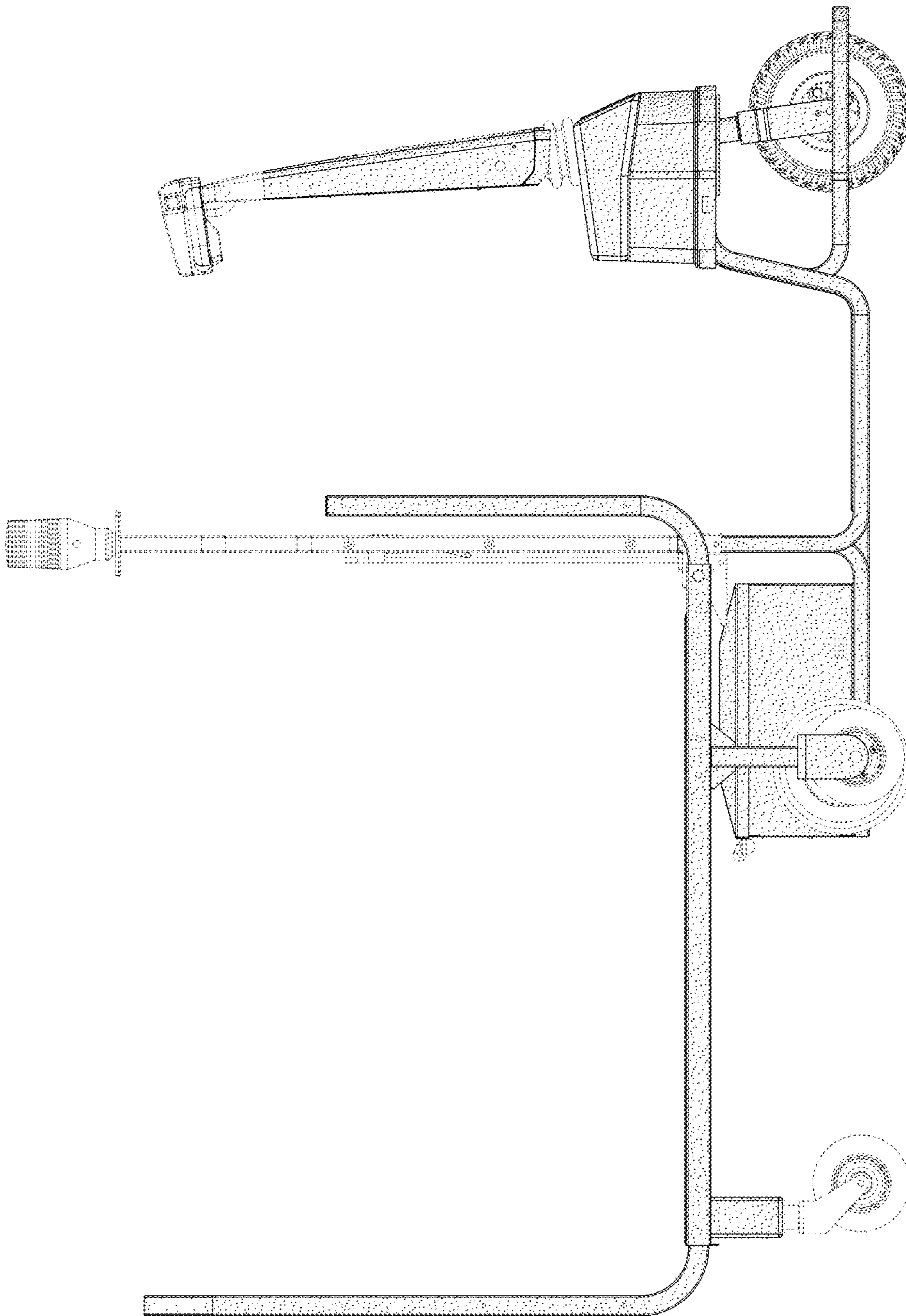


FIG. 3

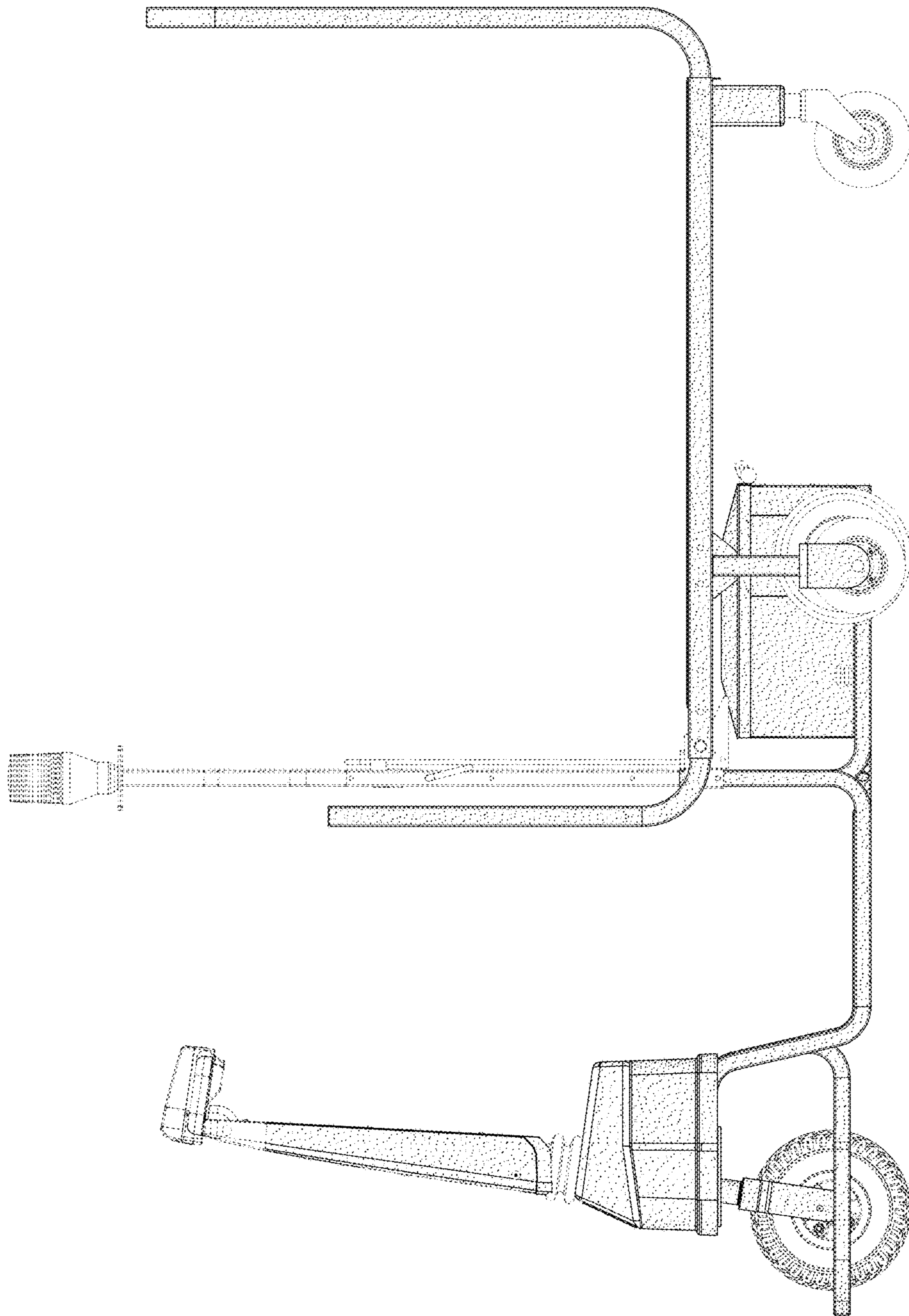


FIG.4

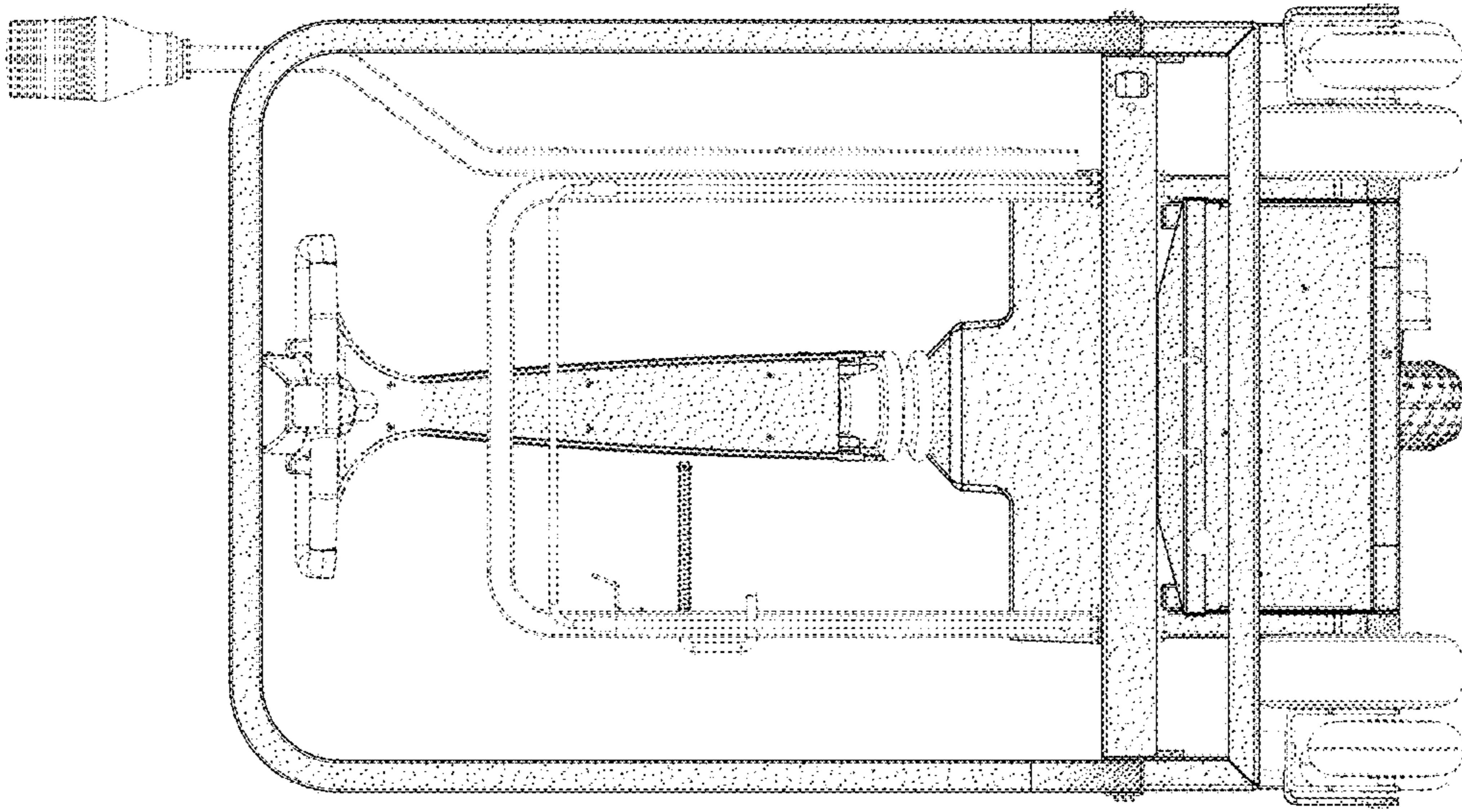


FIG. 6

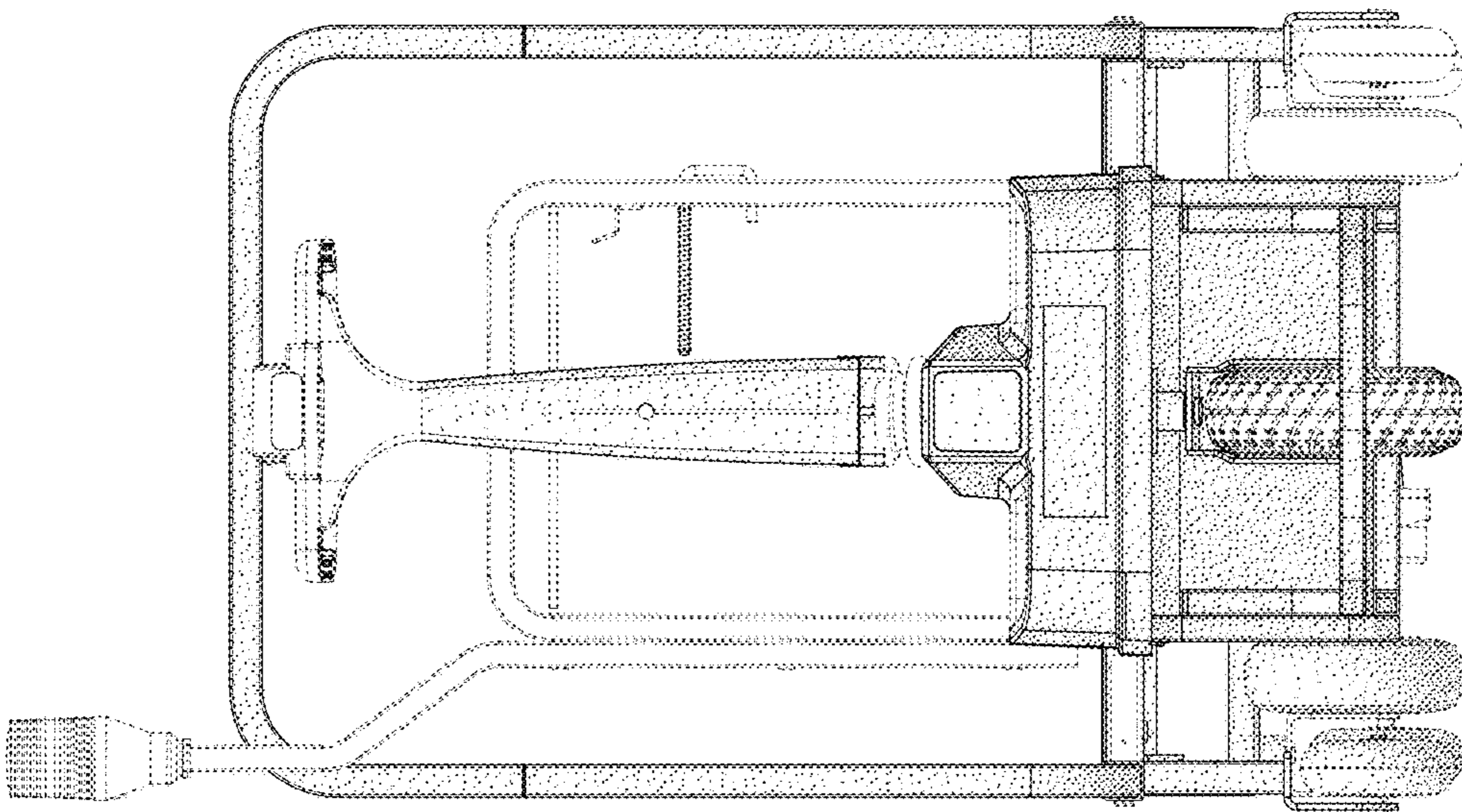


FIG. 5

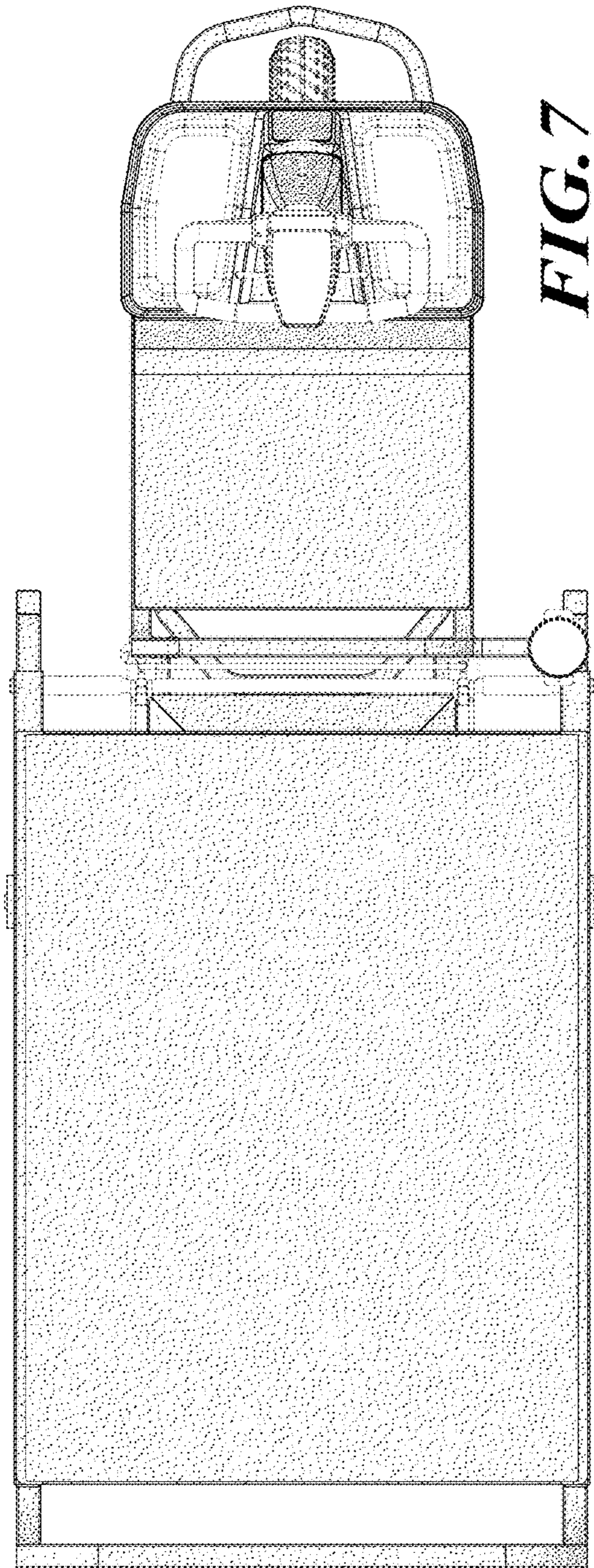


FIG. 7

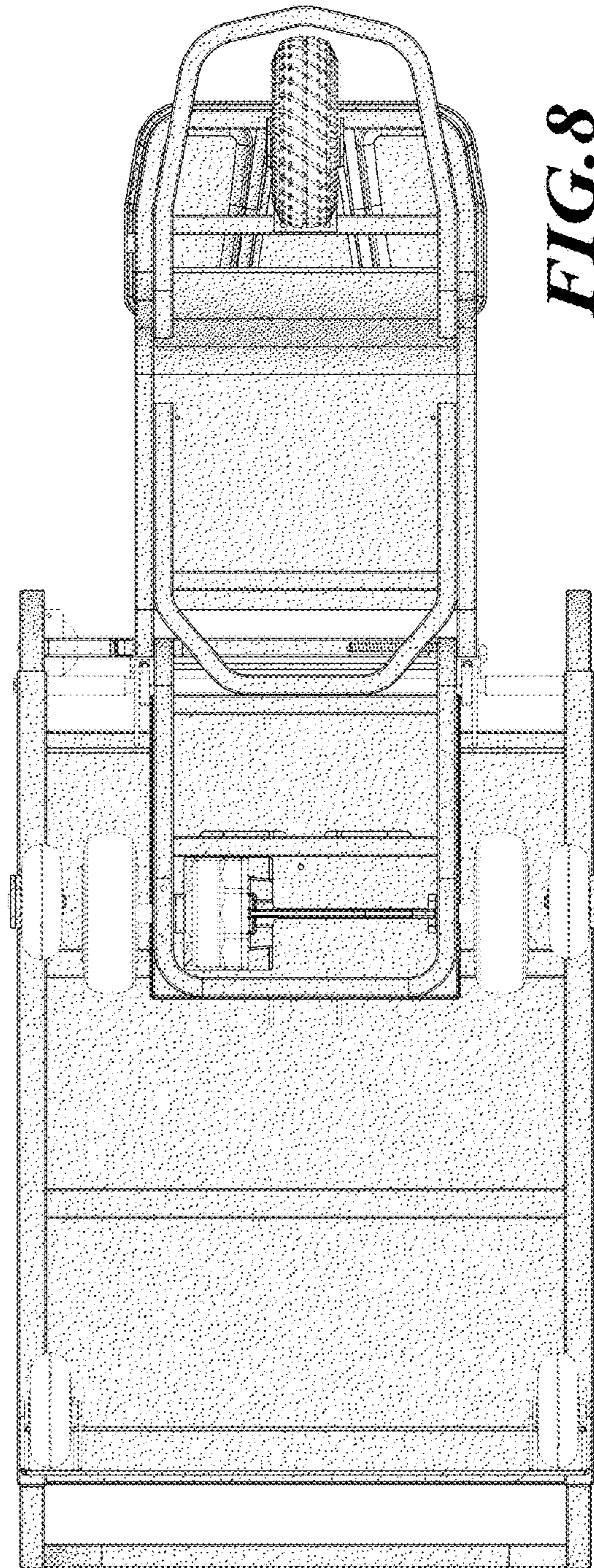


FIG. 8