



US00D800408S

(12) **United States Design Patent** (10) **Patent No.:** **US D800,408 S**  
**Sherman et al.** (45) **Date of Patent:** **\*\* Oct. 17, 2017**

(54) **CART**  
(71) Applicant: **ZIBRA, LLC**, Mooresville, NC (US)  
(72) Inventors: **Michael Milton Sherman**, Mooresville, NC (US); **William Lane Ball**, Statesville, NC (US); **Brent Mitchell Beggs**, North Richland Hills, TX (US)  
(73) Assignee: **ZIBRA, LLC**, Mooresville, NC (US)  
(\*\*) Term: **15 Years**  
(21) Appl. No.: **29/550,895**  
(22) Filed: **Jan. 7, 2016**  
(51) **LOC (10) Cl.** ..... **12-02**  
(52) **U.S. Cl.**  
USPC ..... **D34/21**  
(58) **Field of Classification Search**  
USPC ..... D34/12-27; 280/33.991-33.997, 47.17, 280/47.19, 47.24, 47.26, 47.29, 47.35, 280/47.38, 79.11, 79.2, 79.3; D6/675.2, D6/675.5, 676.2, 677.2, 677.5, 678.4, D6/680.3, 681  
CPC ..... B62B 3/14; B62B 3/144; B62B 3/1496; B62B 3/1404; B62B 2501/065; B62B 5/06; B62B 5/069; B62B 5/0423  
See application file for complete search history.

(56) **References Cited**  
U.S. PATENT DOCUMENTS  
2,479,530 A 8/1949 Watson  
D177,906 S 6/1956 Duchin  
D199,448 S 10/1964 Corbett  
4,116,456 A 9/1978 Stover  
D303,308 S 9/1989 Meitl  
D331,135 S 11/1992 Lewandowski  
5,427,394 A 6/1995 Lauto  
5,435,582 A 7/1995 Davidson  
5,848,797 A 12/1998 Paez  
(Continued)

OTHER PUBLICATIONS  
Applicant's copending U.S. Appl. No. 29/550,894.  
(Continued)

*Primary Examiner* — Cynthia Ramirez  
(74) *Attorney, Agent, or Firm* — Tillman Wright, PLLC; Chad D. Tillman; Jeremy C. Doerre

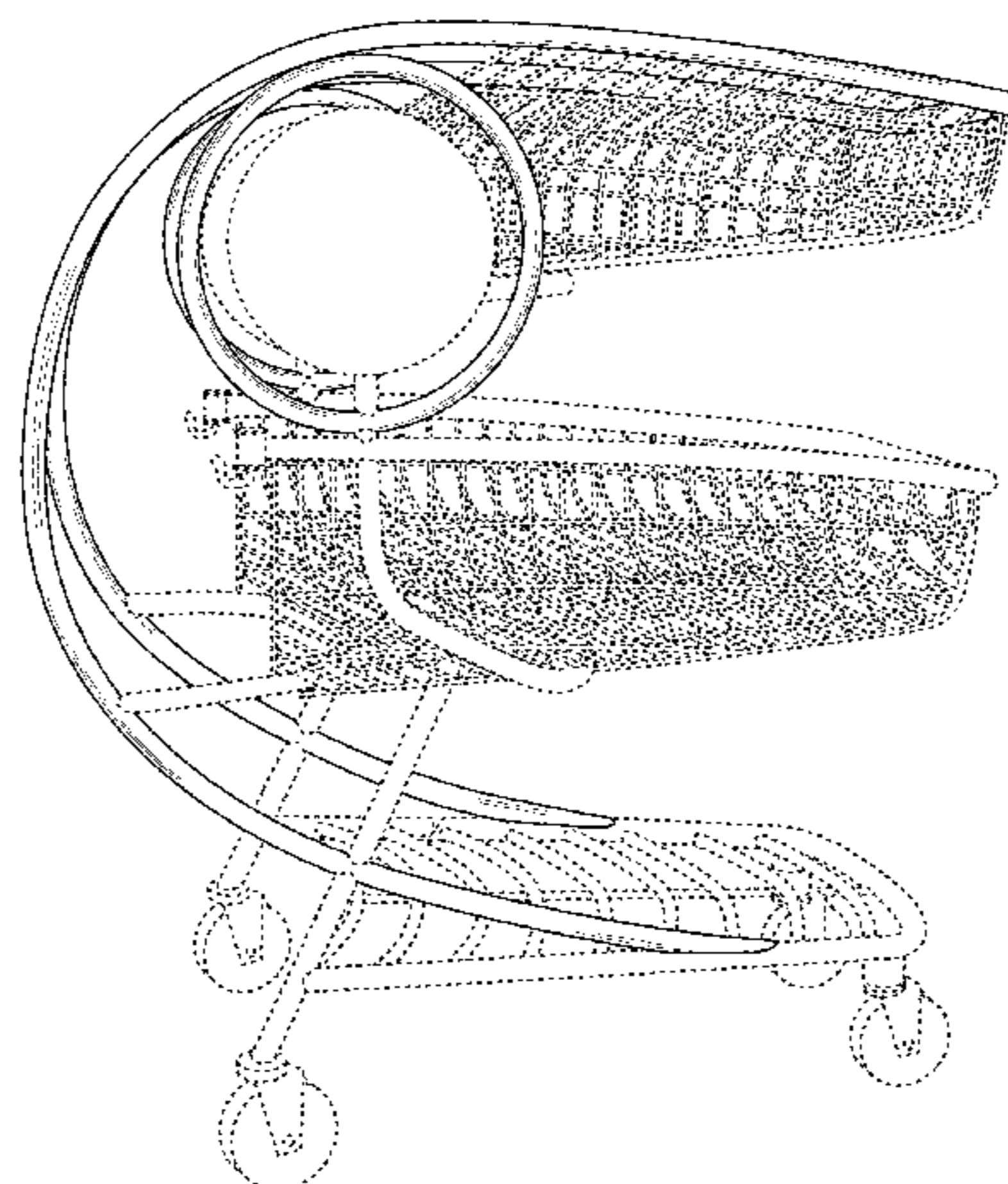
(57) **CLAIM**

The ornamental design for a cart, as shown and described.

**DESCRIPTION**

FIG. 1 is an elevational right side view of a cart showing our new design.  
FIG. 2 is a perspective view of the right side of the cart of FIG. 1.  
FIG. 3 is perspective view of the back right corner of the cart of FIG. 1 following rotation in a counterclockwise direction of the cart from the view of FIG. 2.  
FIG. 4 is a perspective view of the back of the cart of FIG. 1 following continued rotation of the cart from the view of FIG. 3.  
FIG. 5 is a perspective view of the back left corner of the cart of FIG. 1 following continued rotation of the cart from the view of FIG. 4.  
FIG. 6 is a perspective view of the left side of the cart of FIG. 1 following continued rotation of the cart from the view of FIG. 5.  
FIG. 7 is an elevational left side view of the cart of FIG. 1.  
FIG. 8 is another perspective view of the left side of the cart of FIG. 1; and,  
FIG. 9 is another perspective view of the right side of the cart of FIG. 1.  
The broken lines shown in the figures are included for the purpose of illustrating portions of the cart and form no part of the claimed design.

**1 Claim, 9 Drawing Sheets**



(56)

**References Cited**

U.S. PATENT DOCUMENTS

5,865,449 A 2/1999 Castaneda  
5,915,631 A 6/1999 Laxton et al.  
6,126,181 A 10/2000 Ondrasik  
D472,026 S 3/2003 Walter  
D526,107 S 8/2006 Duchene  
7,396,025 B2 7/2008 Ondrasik  
D577,172 S \* 9/2008 Coderre ..... D34/12  
D580,619 S \* 11/2008 Walter ..... D34/21  
7,566,069 B1 7/2009 Ortega et al.  
D606,723 S \* 12/2009 Walter ..... D34/20  
D607,173 S \* 12/2009 Selvig ..... D34/21  
7,681,891 B2 3/2010 Deal et al.  
7,766,347 B2 8/2010 Ryan et al.  
D633,269 S \* 2/2011 Walter ..... D34/21  
9,085,314 B2 7/2015 Selvig  
D742,612 S \* 11/2015 Walter ..... D34/21  
D749,286 S 2/2016 Sherman et al.  
2016/0257329 A1 \* 9/2016 Sherman ..... B62B 3/144

OTHER PUBLICATIONS

Applicant's copending U.S. Appl. No. 15/051,658.  
Applicant's copending U.S. Appl. No. 29/550,896.  
Applicant's copending U.S. Appl. No. 29/550,898.  
Applicant's copending U.S. Appl. No. 29/550,899.  
Applicant's copending U.S. Appl. No. 29/550,900.  
Applicant's copending U.S. Appl. No. 29/554,140.  
Applicant's copending U.S. Appl. No. 29/554,141.

\* cited by examiner

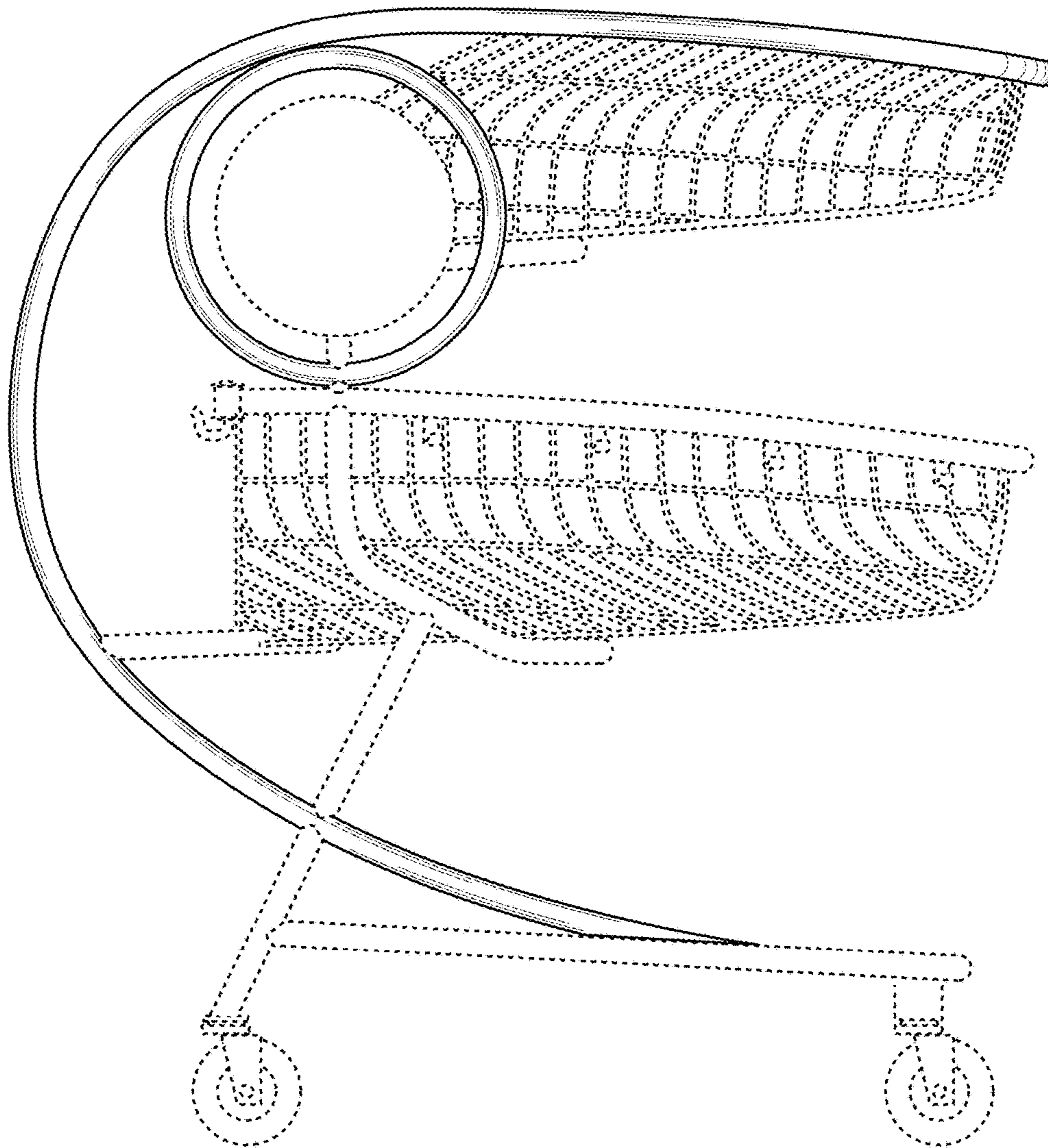


FIG. 1

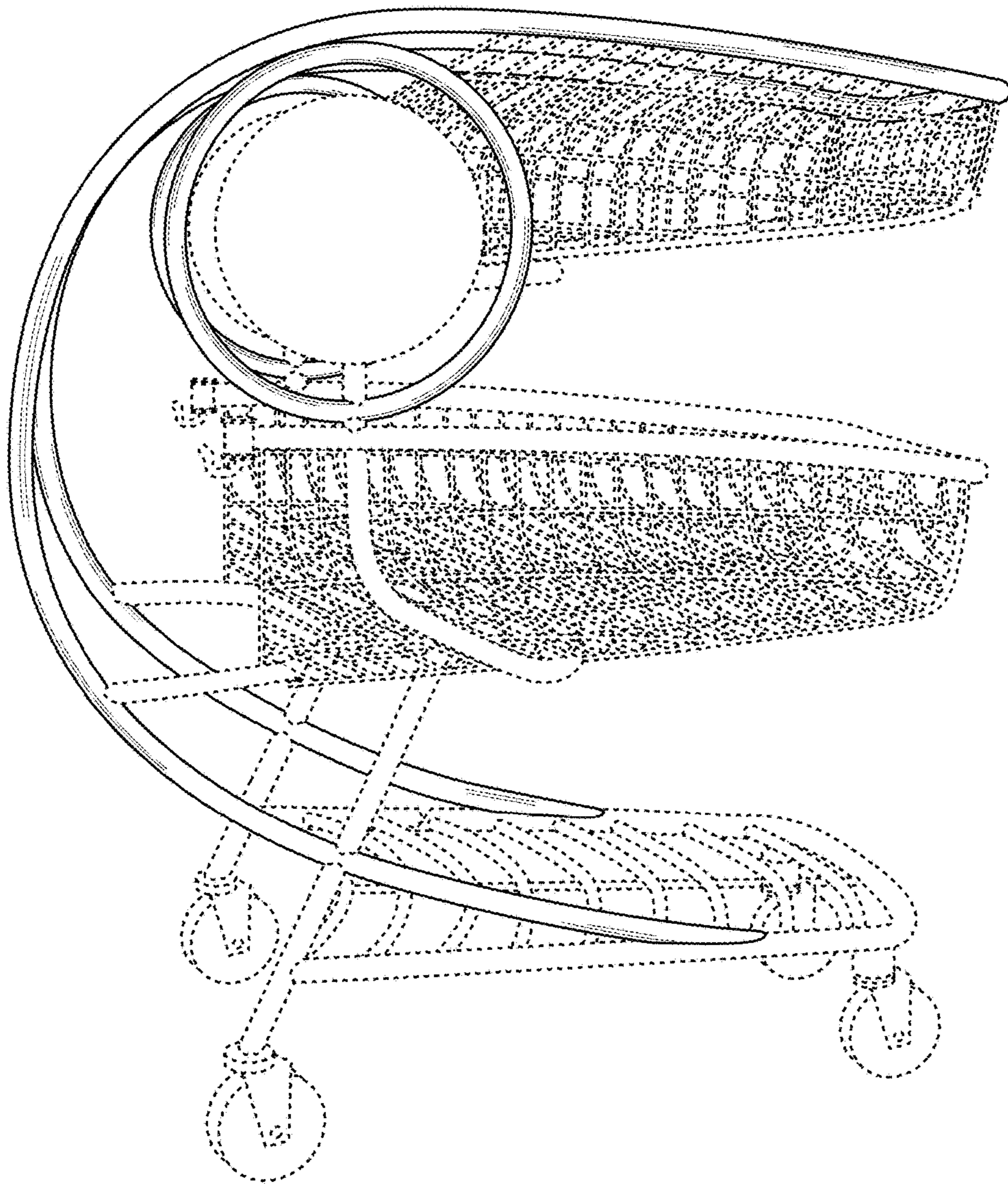


FIG. 2

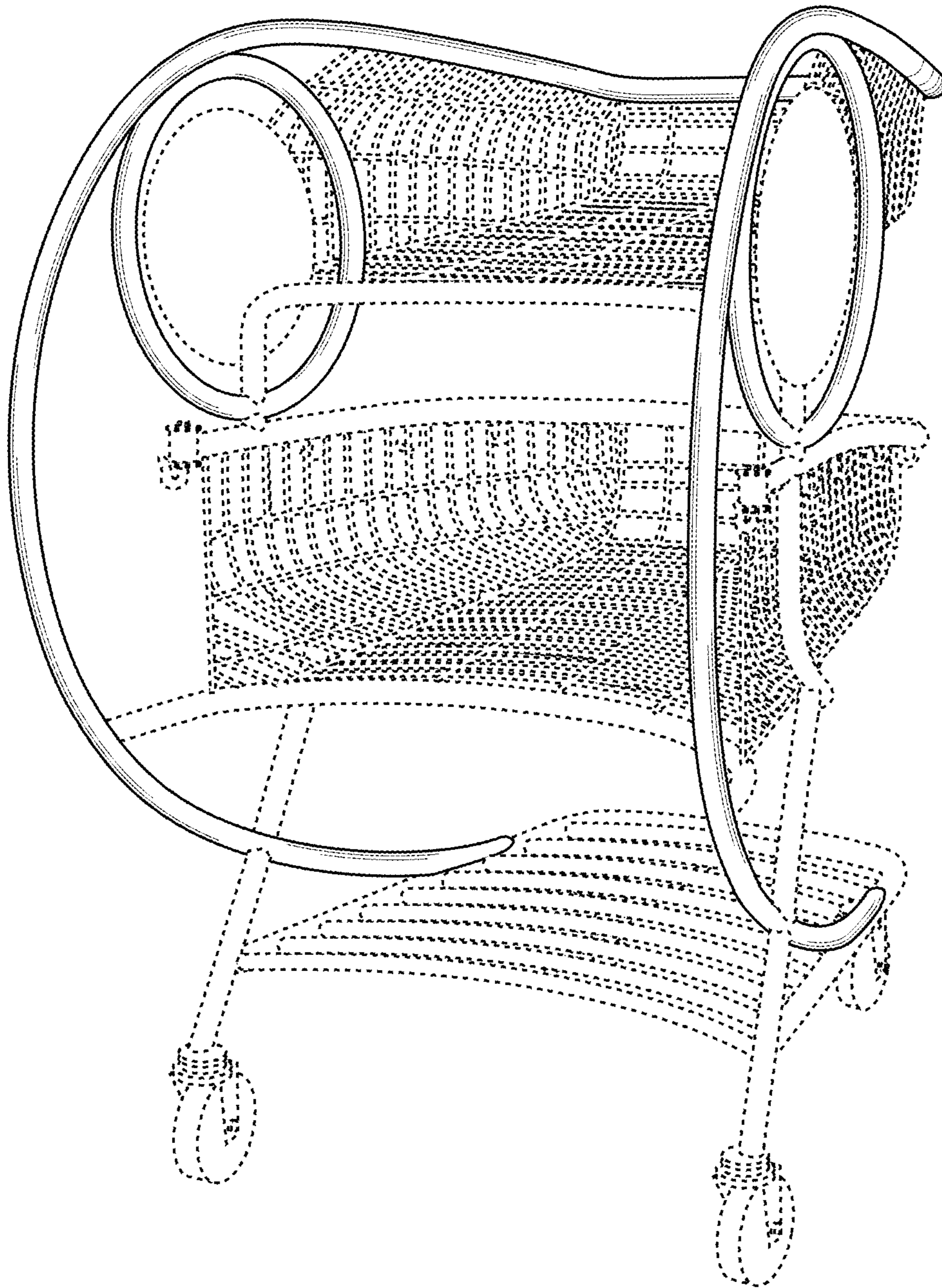


FIG. 3

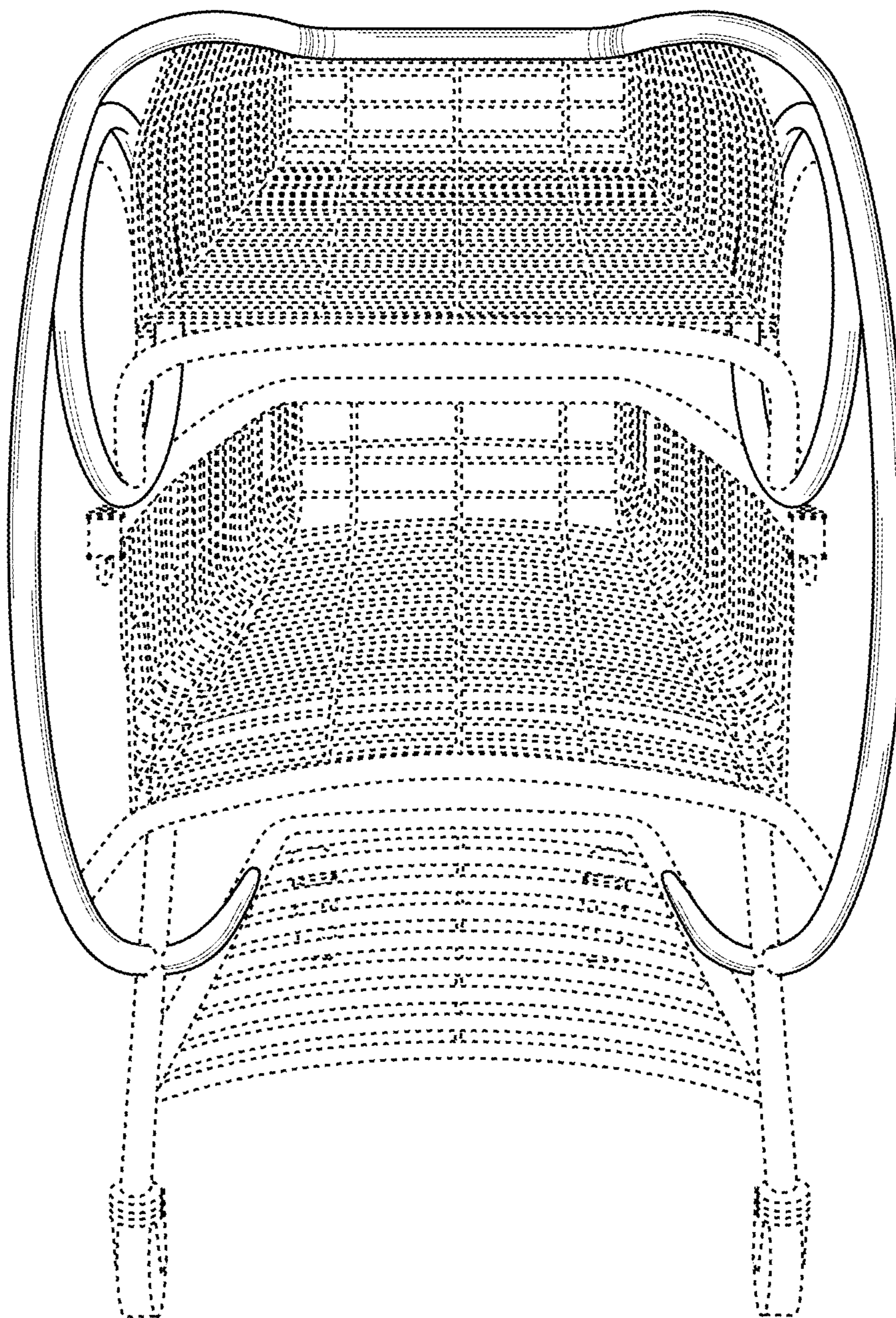


FIG. 4

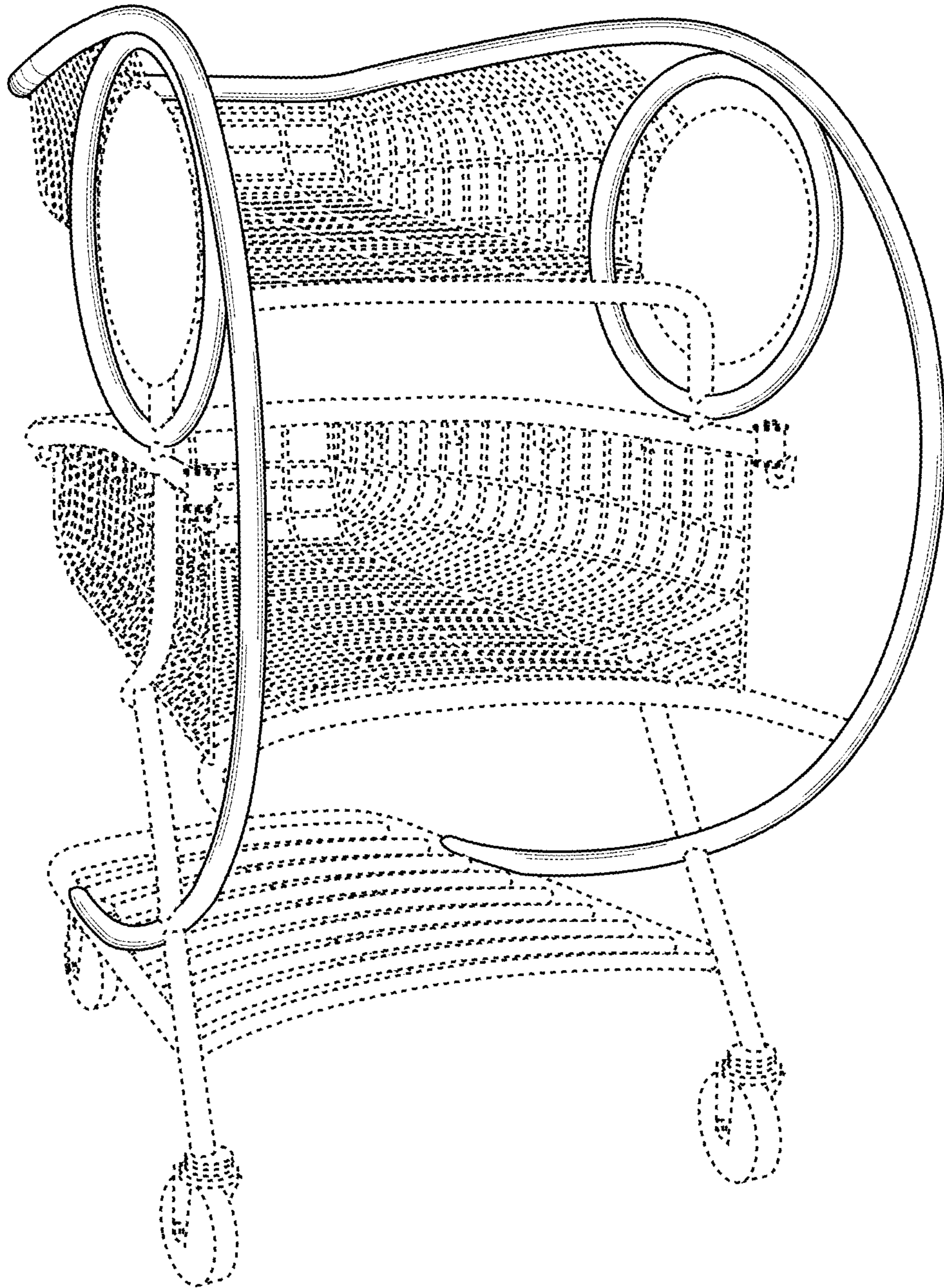


FIG. 5

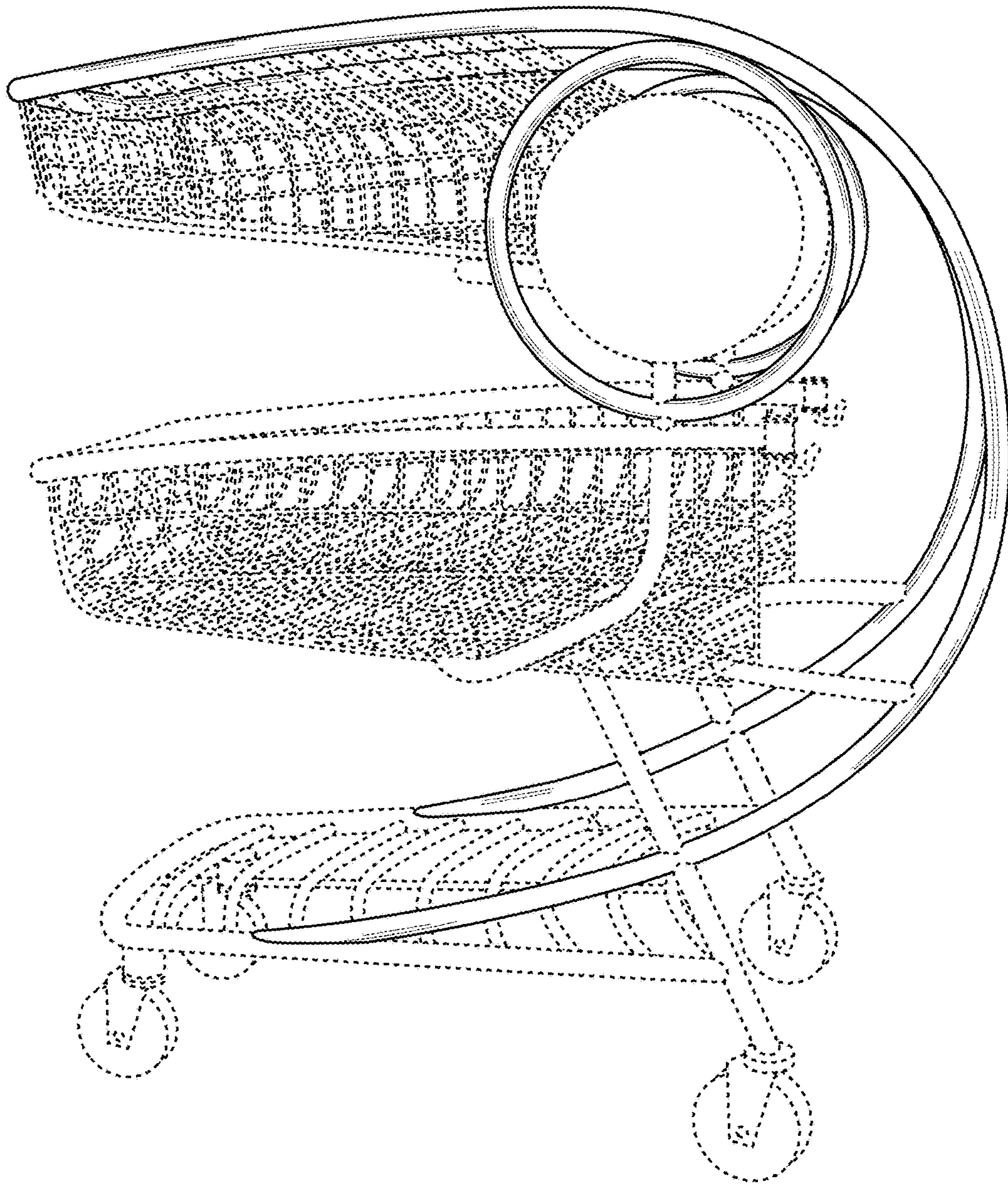


FIG. 6



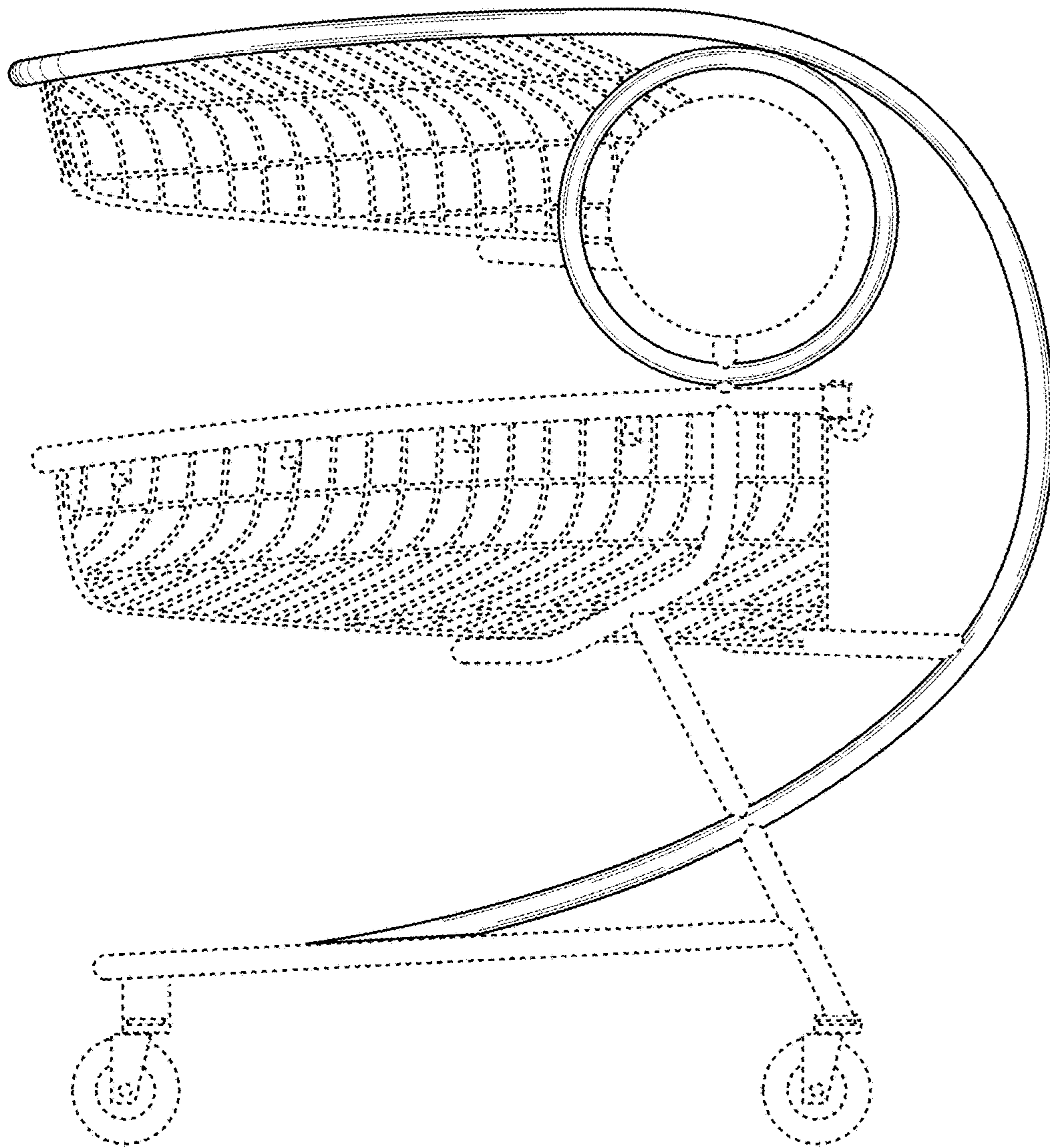


FIG. 7

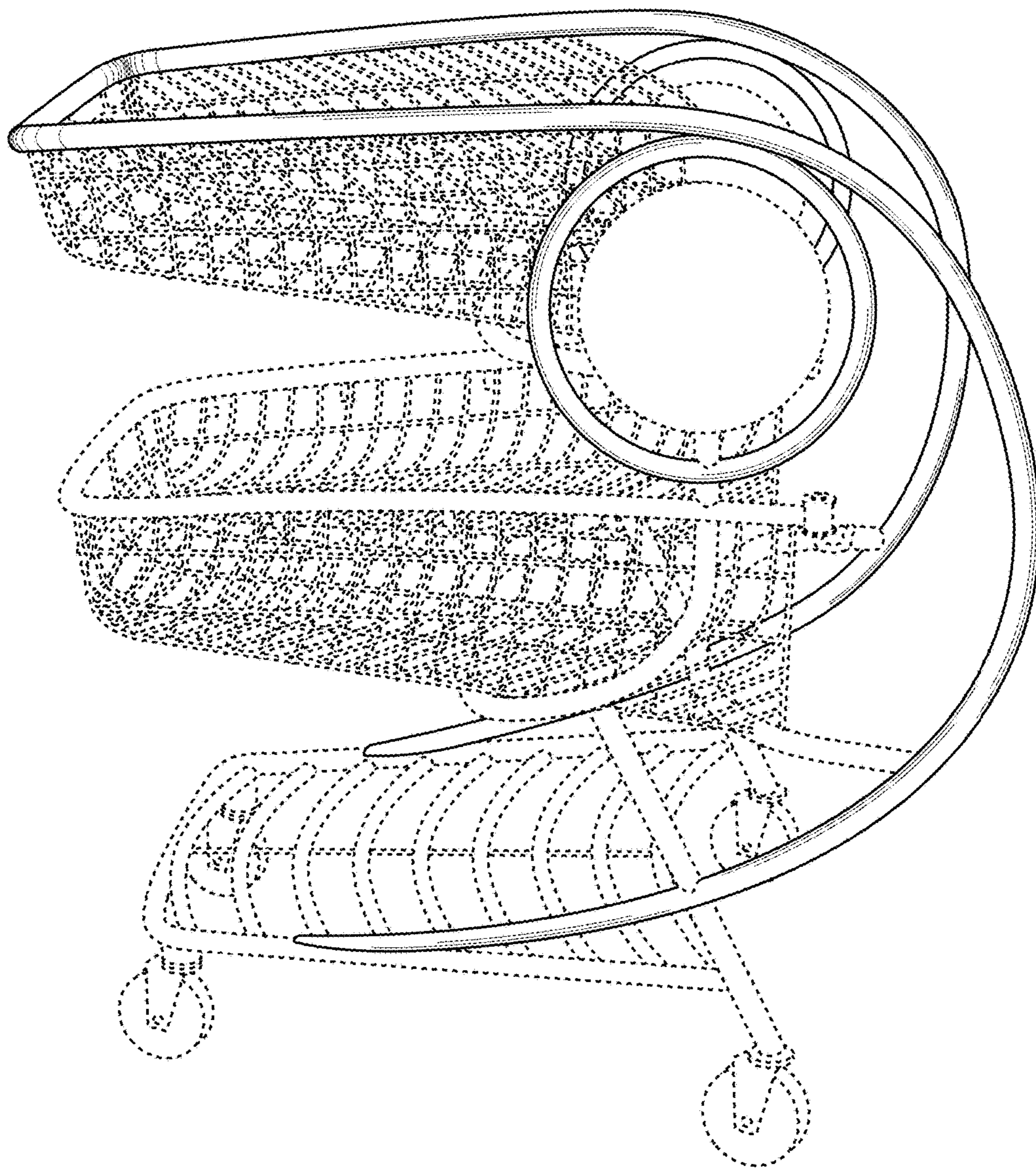


FIG. 8

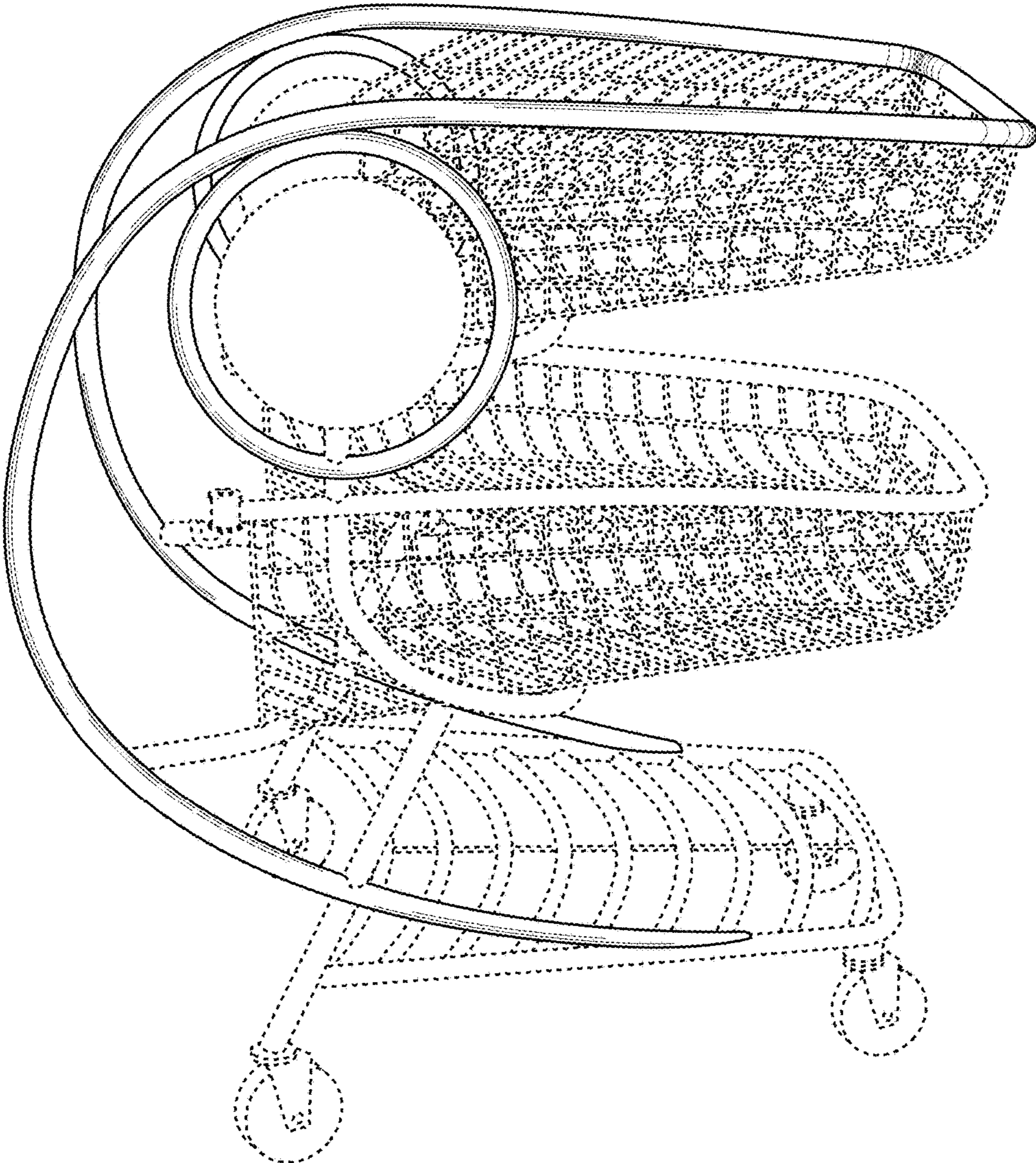


FIG. 9