



US00D800407S

(12) **United States Design Patent** (10) **Patent No.:** **US D800,407 S**
Runzel et al. (45) **Date of Patent:** **** Oct. 17, 2017**

(54) **CABLE DISPENSING CART**

(71) Applicant: **Lake Cable, LLC**, Bensenville, IL (US)

(72) Inventors: **William Runzel**, Bensenville, IL (US);
Tony Kernagis, Bensenville, IL (US);
Cooper Runzel, Bensenville, IL (US);
Emile Tohme, Bensenville, IL (US)

5,501,325 A 3/1996 Mehlretter
5,529,186 A 6/1996 Bass
5,642,812 A 7/1997 Hale
6,003,667 A 12/1999 Barnett et al.
7,204,452 B2 4/2007 Wilkinson
D651,781 S * 1/2012 Geva D34/21
8,136,753 B2 3/2012 Galgano et al.
8,387,099 B2 2/2013 Perlman et al.
8,887,033 B1 11/2014 Varnica et al.
D787,147 S * 5/2017 Petrovich D34/17
2007/0295847 A1 12/2007 Weck et al.
2014/0326625 A1 11/2014 Copp et al.

(73) Assignee: **Lake Cable, LLC**, Bensenville, IL (US)

FOREIGN PATENT DOCUMENTS

(**) Term: **15 Years**

EP 1564175 6/2012
GB 2031834 4/1980
WO 00/44661 8/2000
WO 02/085753 10/2002

(21) Appl. No.: **29/564,064**

(22) Filed: **May 10, 2016**

* cited by examiner

(51) **LOC (10) Cl.** **12-02**

Primary Examiner — Cynthia Ramirez

(52) **U.S. Cl.**
USPC **D34/14**

(74) *Attorney, Agent, or Firm* — Neal, Gerber & Eisenberg LLP

(58) **Field of Classification Search**

(57) **CLAIM**

USPC D34/12-27; 280/33.991, 47.35, 47.18, 280/47.24, 47.27

The ornamental design for a cable dispensing cart, as shown and described.

CPC .. B62B 1/12; B62B 1/002; B62B 1/20; B62B 1/18; B62B 1/10

See application file for complete search history.

DESCRIPTION

(56) **References Cited**

U.S. PATENT DOCUMENTS

3,587,840 A 6/1971 Hultberg
3,680,810 A 8/1972 Jarmalow
4,369,881 A 1/1983 Ditchfield
4,431,144 A 2/1984 Foster
4,771,889 A 9/1988 Bauer
5,013,103 A * 5/1991 Addison A47B 21/00 248/316.3
5,086,919 A 2/1992 Toral et al.
D326,023 S * 5/1992 Hurn 312/324

FIG. 1 is a front view of a cable dispensing cart showing our new design;

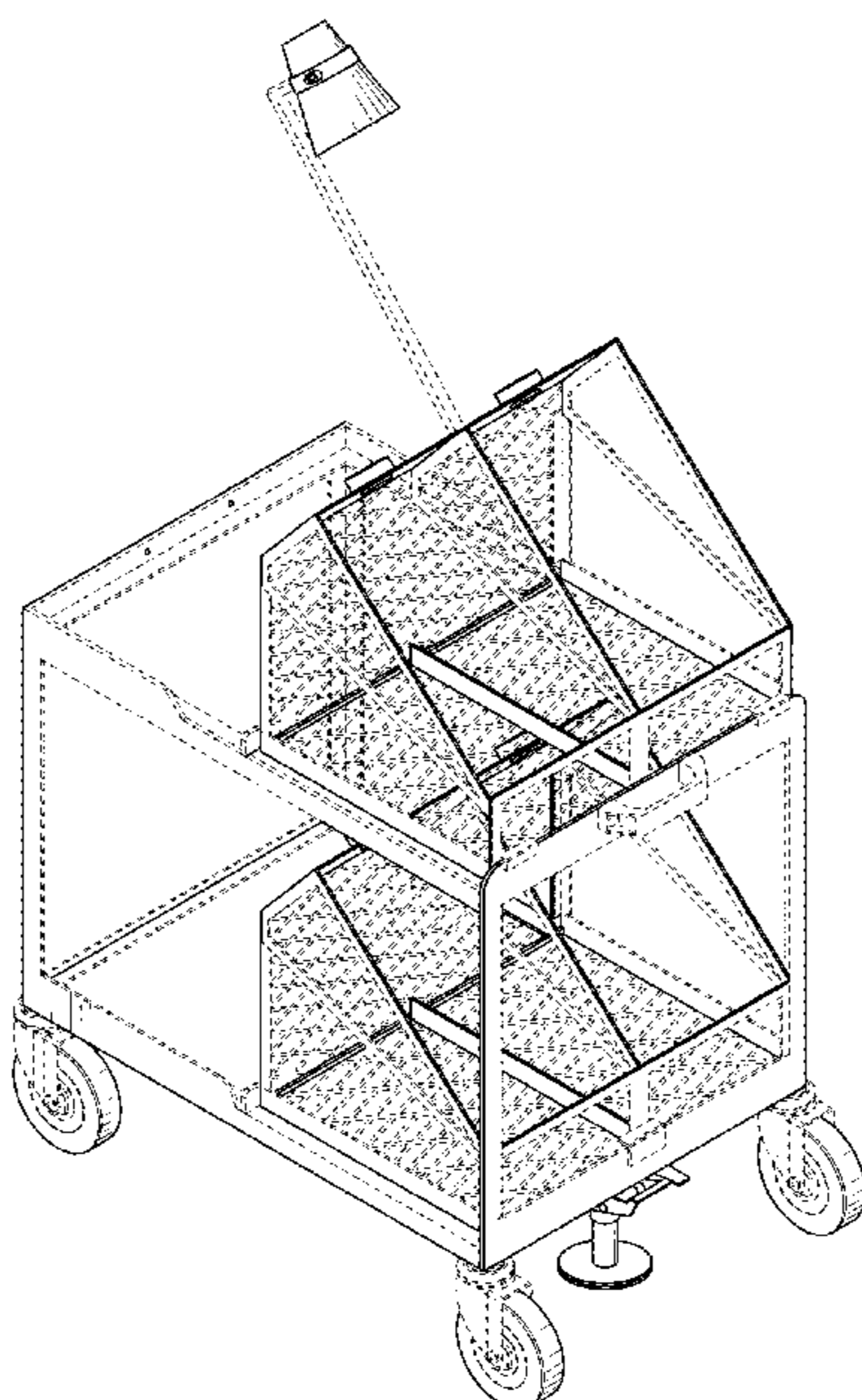
FIG. 2 is a side view of the cable dispensing cart;

FIG. 3 is an elevated perspective view of the cable dispensing cart, showing a front corner; and,

FIG. 4 is an elevated perspective view of the cable dispensing cart, showing a rear corner.

The broken lines in the figures are to show environment only and form no part of the claimed design.

1 Claim, 4 Drawing Sheets



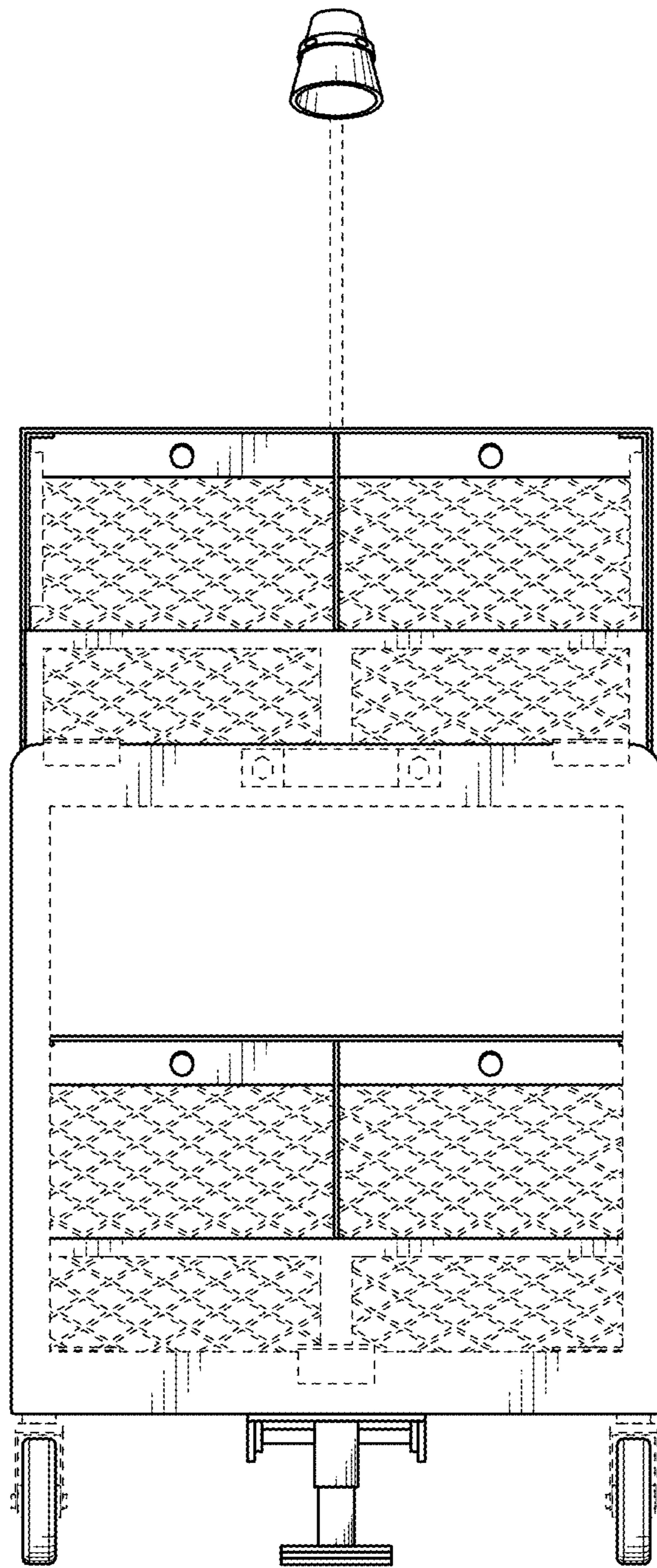


FIG. 1

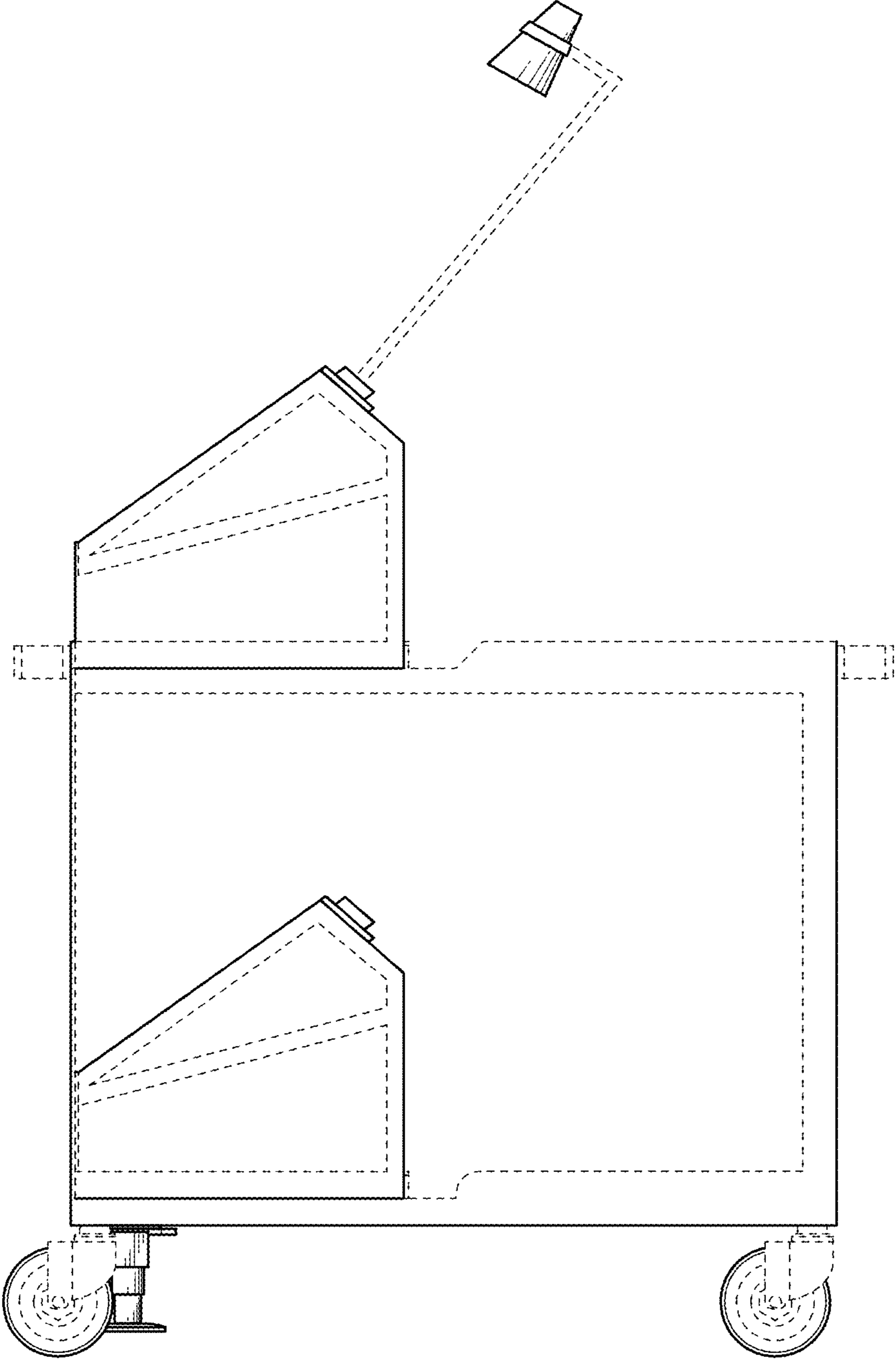


FIG. 2

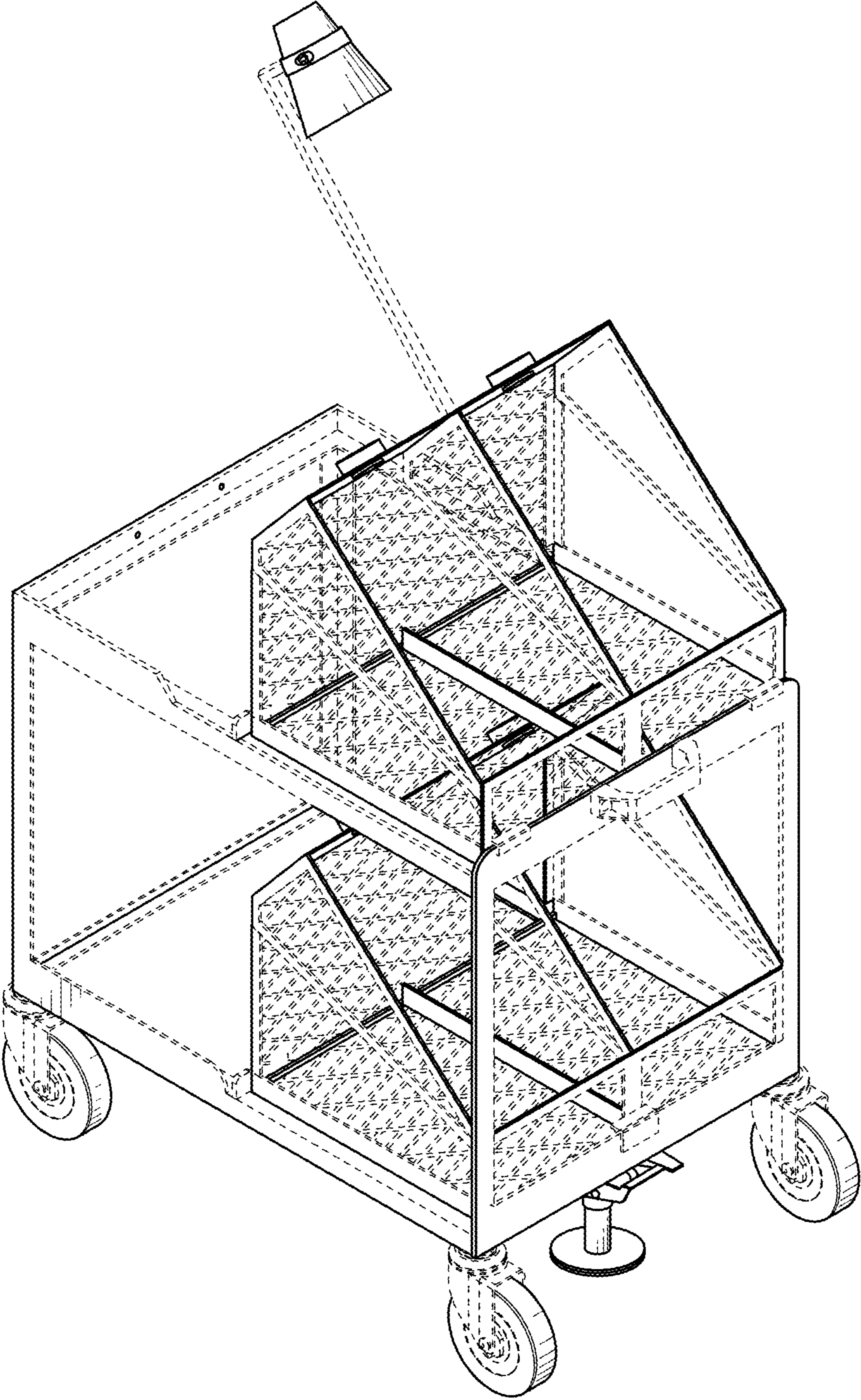


FIG. 3

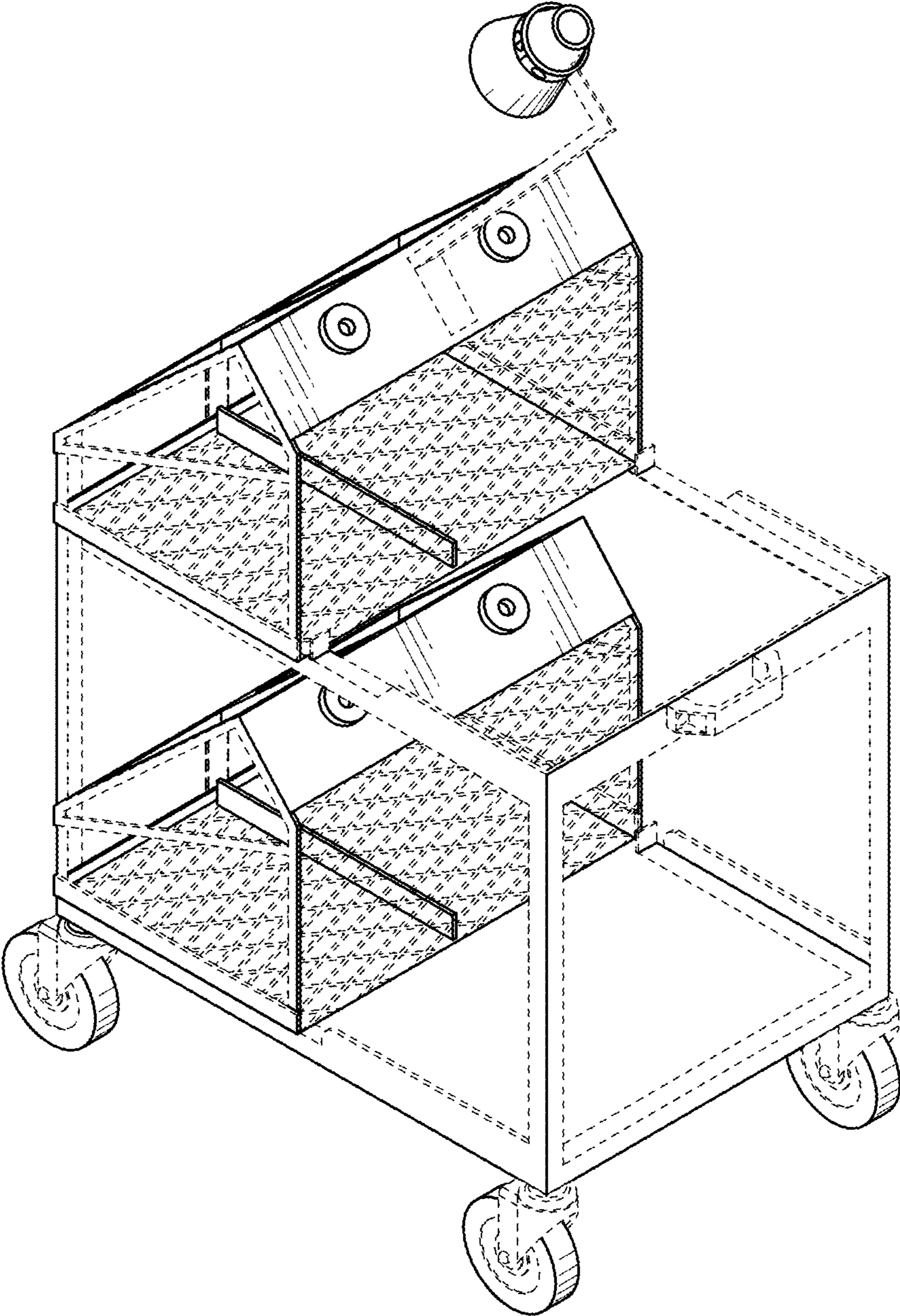


FIG. 4