



US00D800406S

(12) **United States Design Patent** (10) **Patent No.:** **US D800,406 S**  
**Runzel et al.** (45) **Date of Patent:** **\*\* Oct. 17, 2017**

(54) **CABLE DISPENSING CART**  
(71) Applicant: **Lake Cable, LLC**, Bensenville, IL (US)  
(72) Inventors: **William Runzel**, Bensenville, IL (US);  
**Tony Kernagis**, Bensenville, IL (US);  
**Cooper Runzel**, Bensenville, IL (US);  
**Emile Tohme**, Bensenville, IL (US)

5,501,325 A 3/1996 Mehlretter  
5,529,186 A 6/1996 Bass  
5,642,812 A 7/1997 Hale  
6,003,667 A 12/1999 Barnett et al.  
7,204,452 B2 4/2007 Wilkinson  
D651,781 S \* 1/2012 Geva ..... D34/21  
8,136,753 B2 3/2012 Galgano et al.  
8,387,099 B2 2/2013 Perlman et al.  
8,887,033 B1 11/2014 Varnica et al.  
D787,147 S \* 5/2017 Petrovich ..... D34/17  
2007/0295847 A1 12/2007 Weck et al.  
2014/0326625 A1 11/2014 Copp et al.

(73) Assignee: **Lake Cable, LLC**, Bensenville, IL (US)

**FOREIGN PATENT DOCUMENTS**

(\*\*) Term: **15 Years**

EP 1564175 6/2012  
GB 2031834 4/1980  
WO 00/44661 8/2000  
WO 02/085753 10/2002

(21) Appl. No.: **29/564,062**

(22) Filed: **May 10, 2016**

\* cited by examiner

(51) **LOC (10) Cl.** ..... **12-02**

*Primary Examiner* — Cynthia Ramirez

(52) **U.S. Cl.**  
USPC ..... **D34/14**

(74) *Attorney, Agent, or Firm* — Neal, Gerber & Eisenberg LLP

(58) **Field of Classification Search**

(57) **CLAIM**

USPC ..... D34/12-27; 280/33.991, 47.35, 47.18,  
280/47.24, 47.27  
CPC .. B62B 1/12; B62B 1/002; B62B 1/20; B62B  
1/18; B62B 1/10  
See application file for complete search history.

The ornamental design for a cable dispensing cart, as shown and described.

**DESCRIPTION**

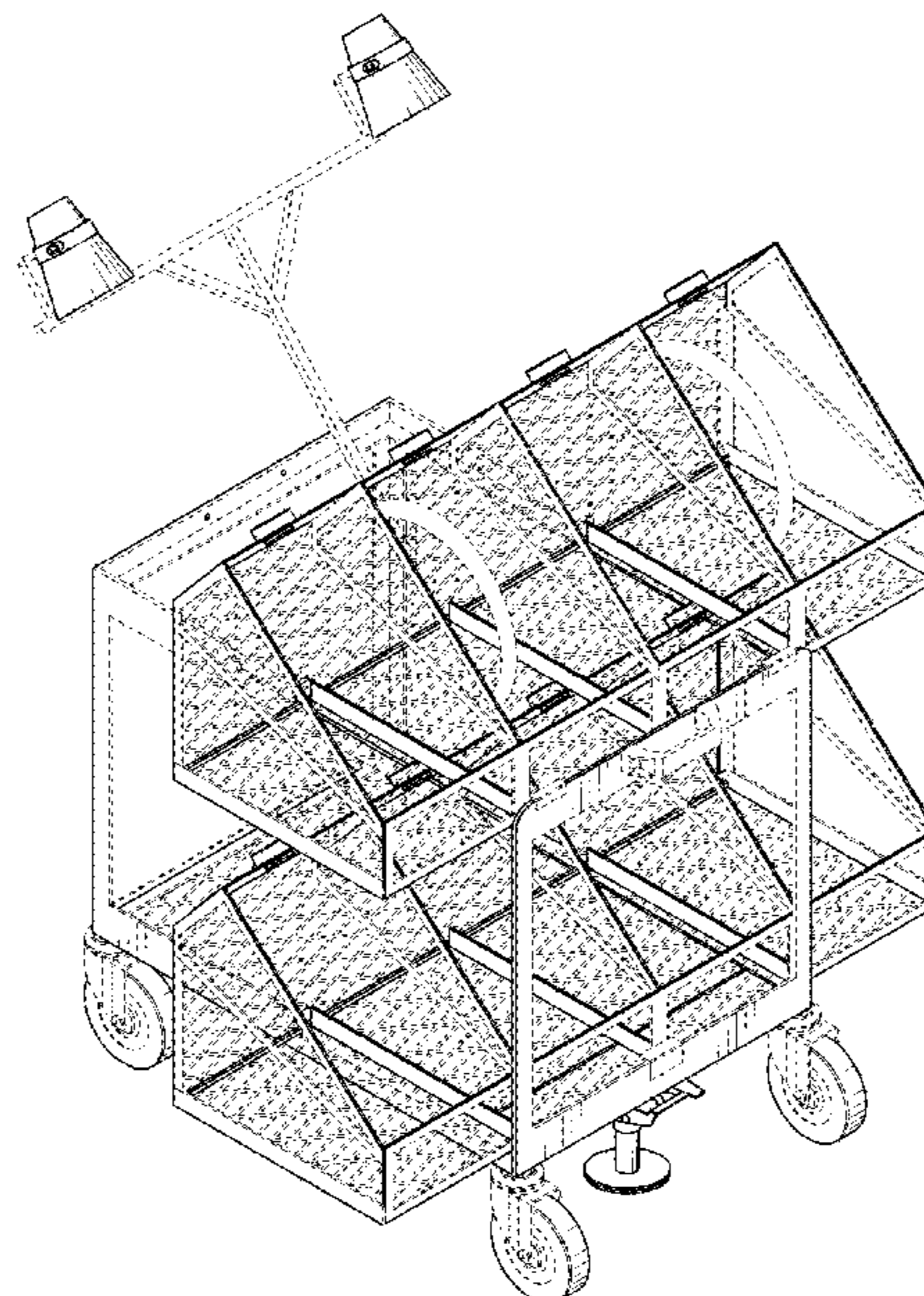
(56) **References Cited**

**U.S. PATENT DOCUMENTS**

3,587,840 A 6/1971 Hultberg  
3,680,810 A 8/1972 Jarmalow  
4,369,881 A 1/1983 Ditchfield  
4,431,144 A 2/1984 Foster  
4,771,889 A 9/1988 Bauer  
5,013,103 A \* 5/1991 Addison ..... A47B 21/00  
248/316.3  
5,086,919 A 2/1992 Toral et al.  
D326,023 S \* 5/1992 Hurn ..... 312/324

FIG. 1 is a front view of a cable dispensing cart showing our new design;  
FIG. 2 is a side view of the cable dispensing cart;  
FIG. 3 is an elevated perspective view of the cable dispensing cart, showing a front corner; and,  
FIG. 4 is an elevated perspective view of the cable dispensing cart, showing a rear corner.  
The broken lines in the figures are to show environment only and form no part of the claimed design.

**1 Claim, 4 Drawing Sheets**



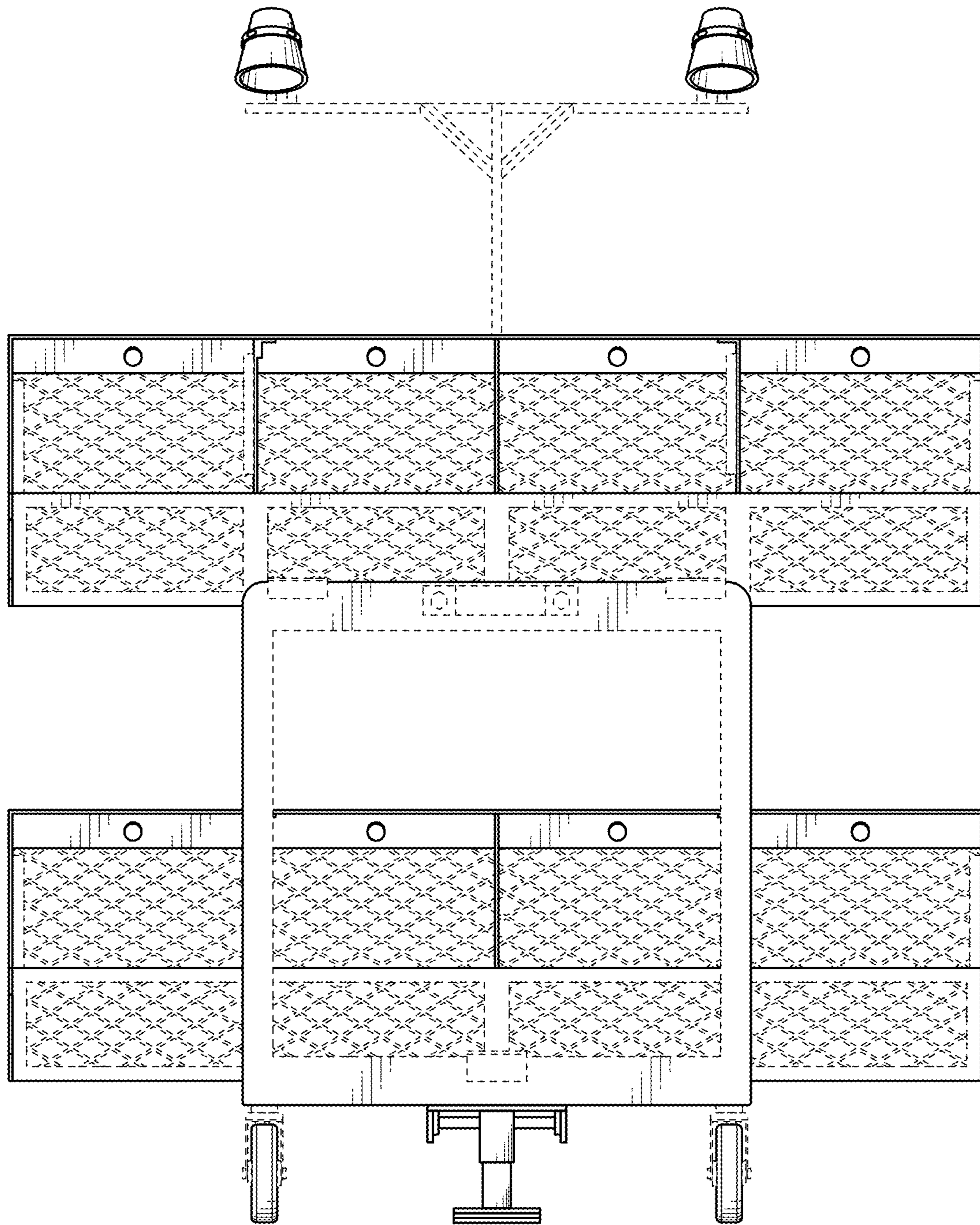


FIG. 1

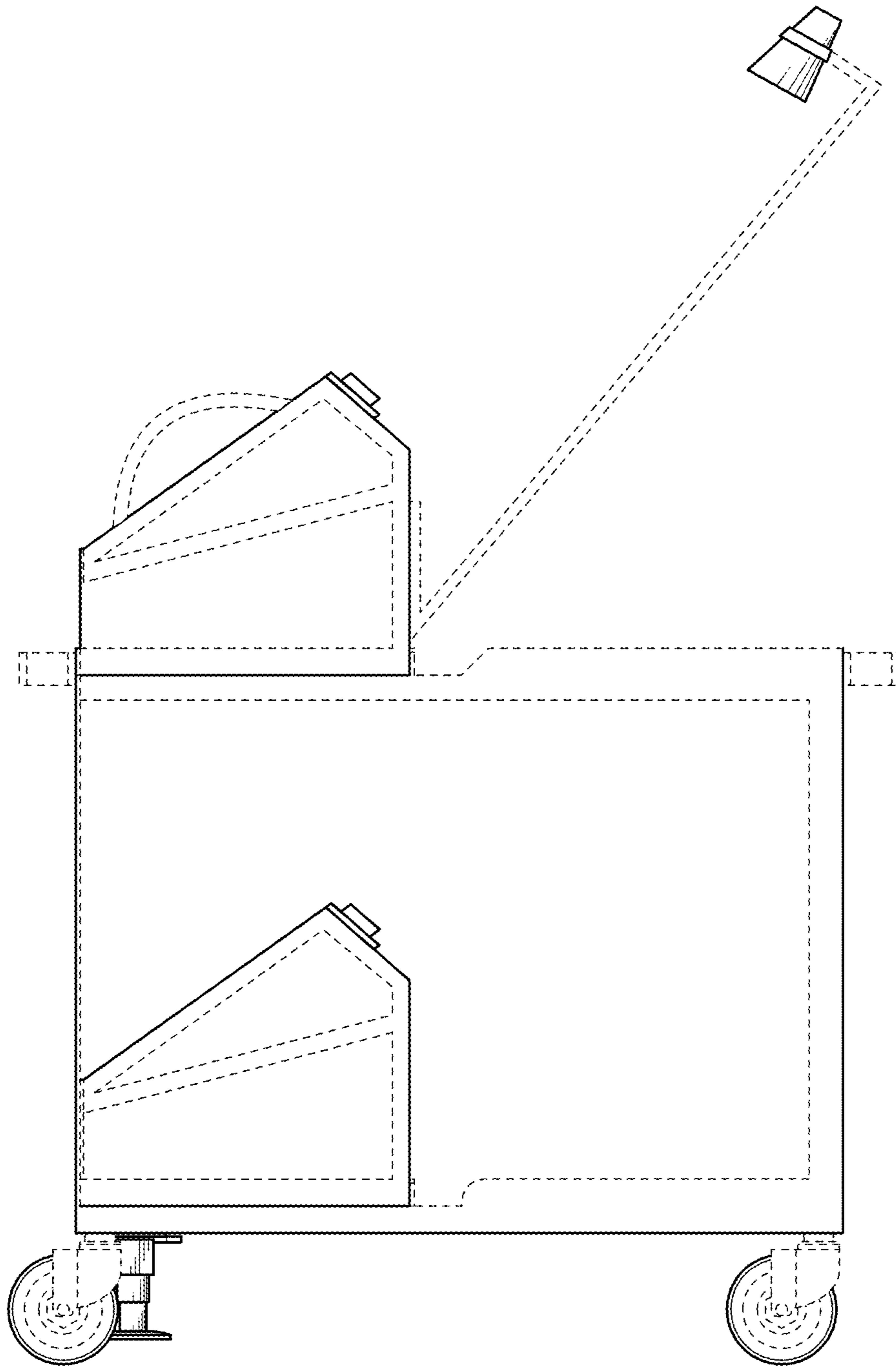


FIG. 2

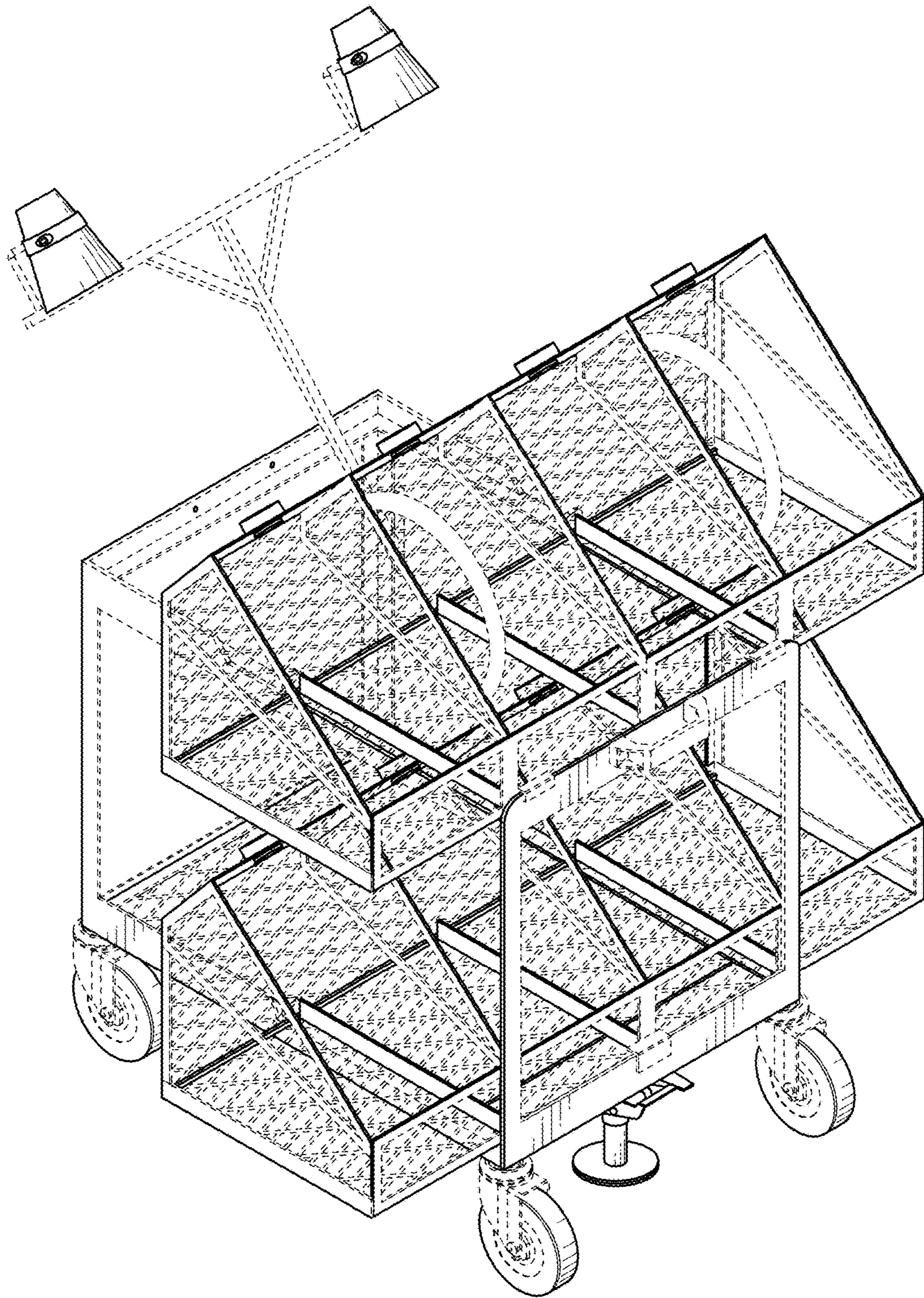


FIG. 3

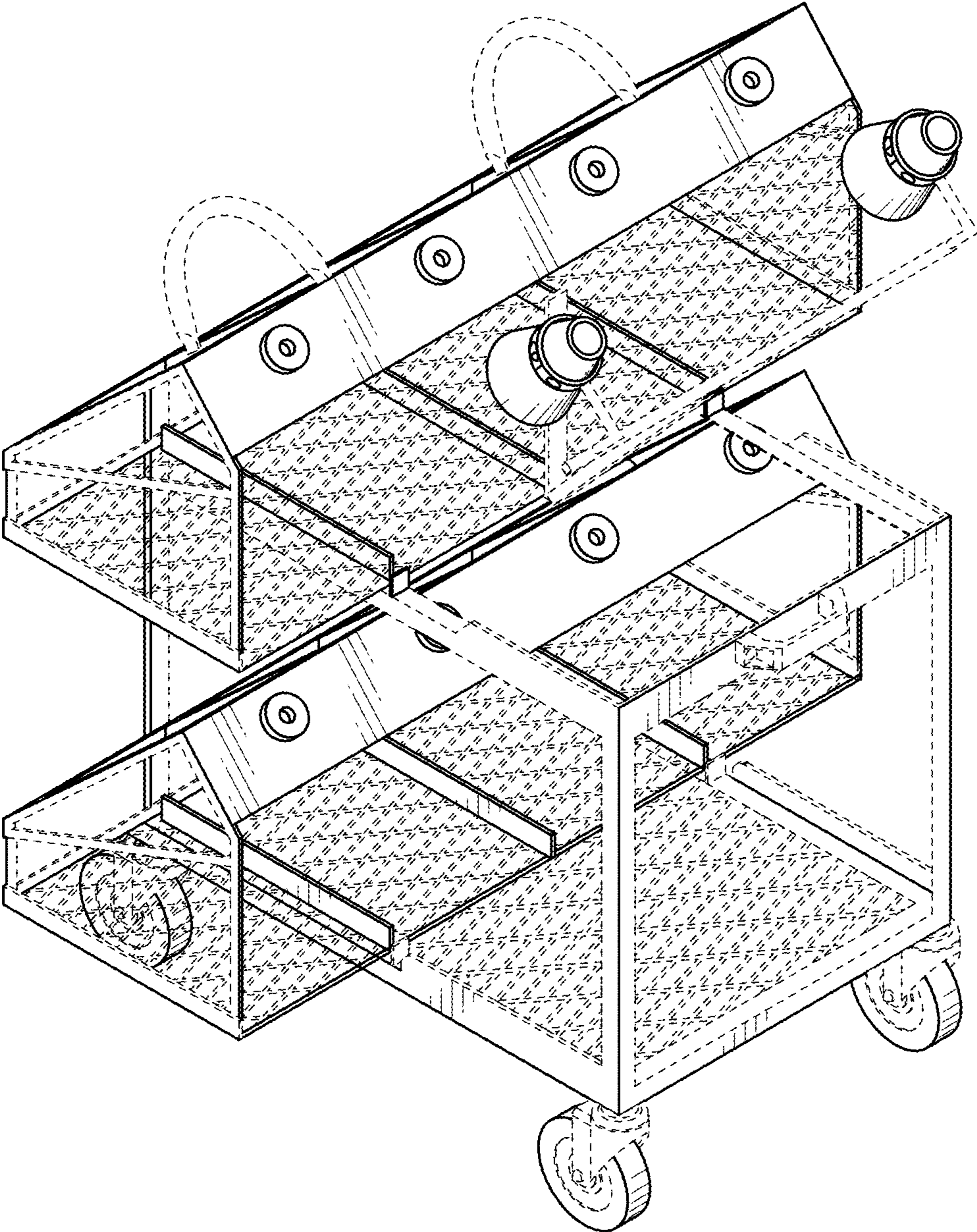


FIG. 4