



US00D800405S

(12) **United States Design Patent** (10) **Patent No.:** **US D800,405 S**
Slaughenhaupt et al. (45) **Date of Patent:** **** Oct. 17, 2017**

(54) **COMBINED LITTER AND RECYCLING RECEPTACLE**
(71) Applicant: **VICTOR STANLEY, INC.**, Dunkirk, MD (US)
(72) Inventors: **Bryan Slaughenhaupt**, Deale, MD (US); **Gerald Skalka**, Potomac, MD (US)
(73) Assignee: **VICTOR STANLEY, INC.**, Dunkirk, MD (US)
(**) Term: **15 Years**

D549,418 S 8/2007 Boydston et al.
D555,863 S 11/2007 Weiss
D606,721 S 12/2009 Moore
D643,986 S 8/2011 Soto et al.
D643,987 S 8/2011 Soto et al.
D655,473 S 3/2012 Moore
D672,109 S 12/2012 Moore
D724,807 S 3/2015 Gerard
D734,583 S 7/2015 Gerard
D783,919 S * 4/2017 Slaughenhaupt D34/1
D785,269 S * 4/2017 Slaughenhaupt D34/1

(21) Appl. No.: **29/587,095**
(22) Filed: **Dec. 9, 2016**

Related U.S. Application Data

(62) Division of application No. 29/527,702, filed on May 21, 2015, now Pat. No. Des. 783,919.
(51) **LOC (10) Cl.** **09-09**
(52) **U.S. Cl.**
USPC **D34/1**
(58) **Field of Classification Search**
USPC D34/1-11; 220/908, 908.1, 911, 913
CPC B65F 1/06; B65F 1/08; B65F 1/163; B65F 1/1607; B65F 1/106; B65F 1/1615; B65F 1/068
See application file for complete search history.

References Cited

U.S. PATENT DOCUMENTS

3,793,756 A 2/1974 Kay et al.
D417,053 S 11/1999 Skalka
D473,361 S 4/2003 Englert et al.
D476,456 S 6/2003 Englert et al.
D484,661 S 12/2003 Englert et al.
D547,019 S 7/2007 Weiss

OTHER PUBLICATIONS

“Ironsites® SD-242 Recycling Station,” Victor Stanley, Inc., 2014 (4 pages).

(Continued)

Primary Examiner — Cynthia Ramirez
(74) *Attorney, Agent, or Firm* — Westerman, Hattori, Daniels & Adrian, LLP

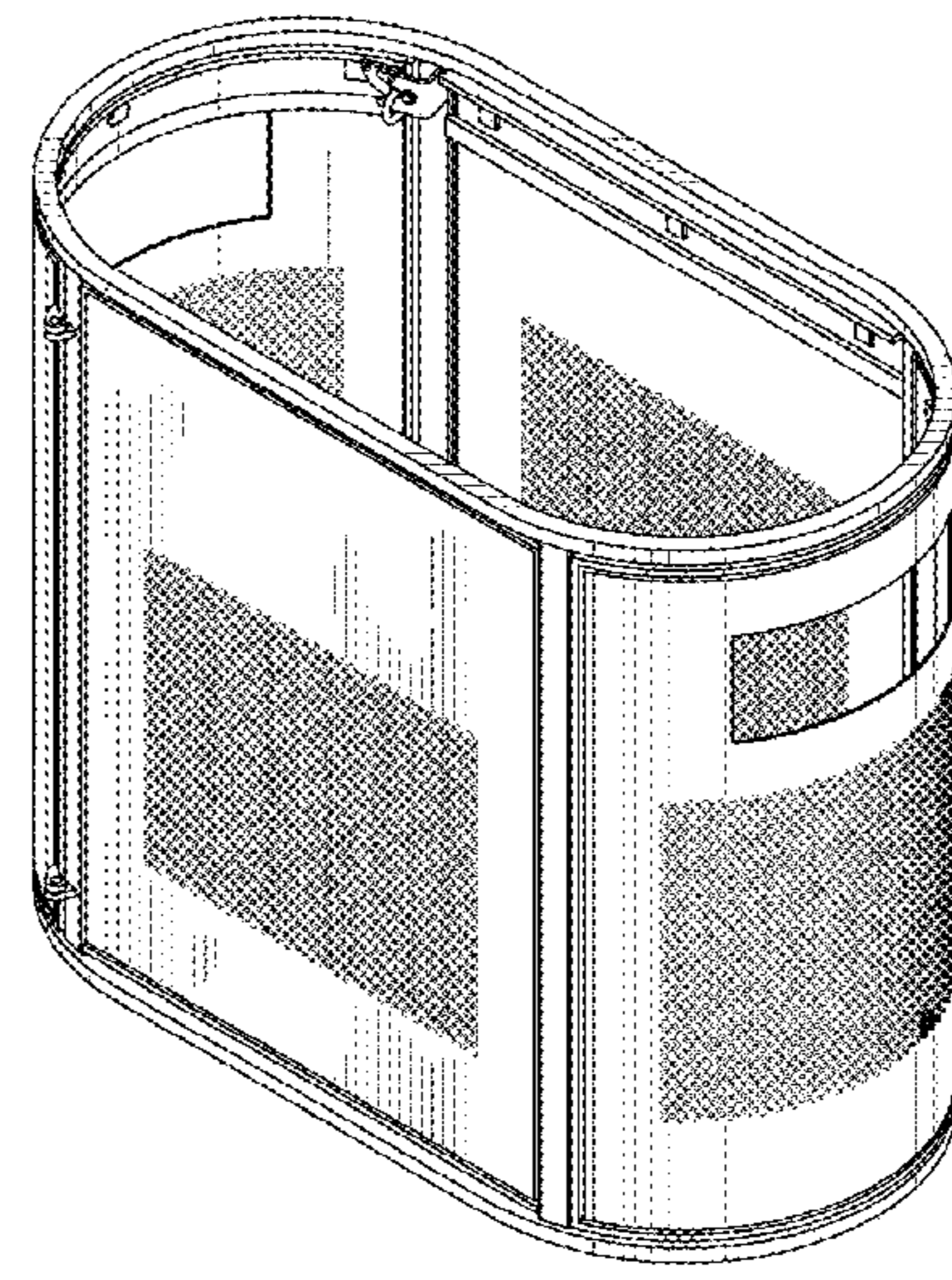
(57) **CLAIM**

The ornamental design for a combined litter and recycling receptacle, as shown and described.

DESCRIPTION

FIG. 1 is a perspective view of a combined litter and recycling receptacle showing our new design.
FIG. 2 is a front elevational view of the combined litter and recycling receptacle of FIG. 1, the rear elevational view being a mirror image thereof.
FIG. 3 is a top plan view of the combined litter and recycling receptacle of FIG. 1.
FIG. 4 is a bottom plan view of the combined litter and recycling receptacle of FIG. 1; and,
FIG. 5 is a left side elevational view of the combined litter and recycling receptacle of FIG. 1, the right side elevational view being a mirror image thereof.

1 Claim, 2 Drawing Sheets



(56)

References Cited

OTHER PUBLICATIONS

“RSDC-36 Steelsites™ Series,” Rev. Jun. 10, 2011, Victor Stanley, Inc., 2011 (1 page).

“SD-242 Ironsites® Series,” Rev. Jun. 4, 2014, Victor Stanley, Inc., 2014 (1 page).

“SD-242 Ironsites® Series Side-Door Recycling Station,” Rev. Jun. 2, 2014, Victor Stanley, Inc., 2014 (1 page).

“Steelsites™ Side-Deposit Receptacles,” Victor Stanley, Inc. 2014 (4 pages).

“Recycling Solutions,” 07/08 MP 50M SM731, Rubbermaid® Commercial Products, 2008 (5 pages).

* cited by examiner

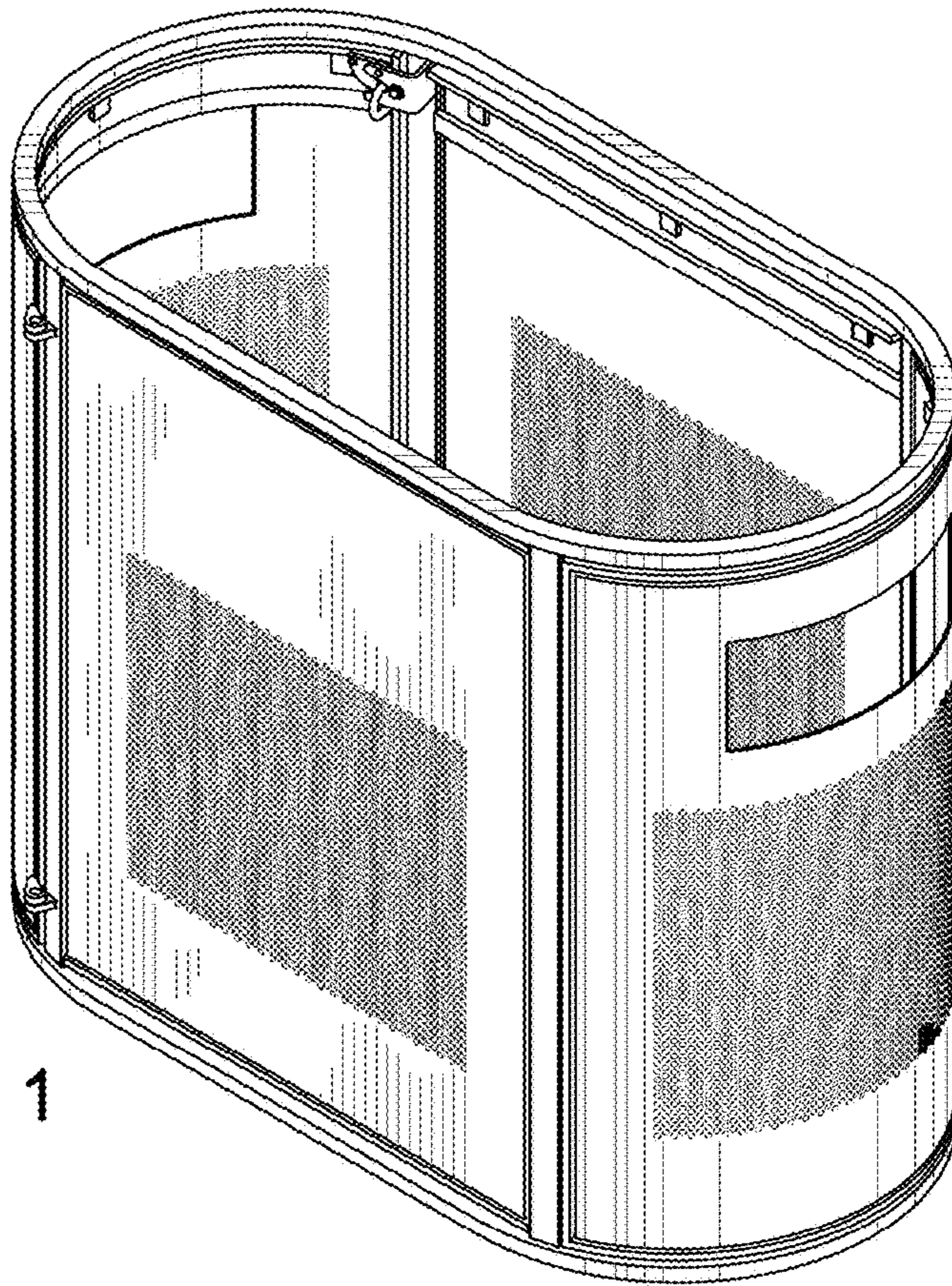


FIG. 1

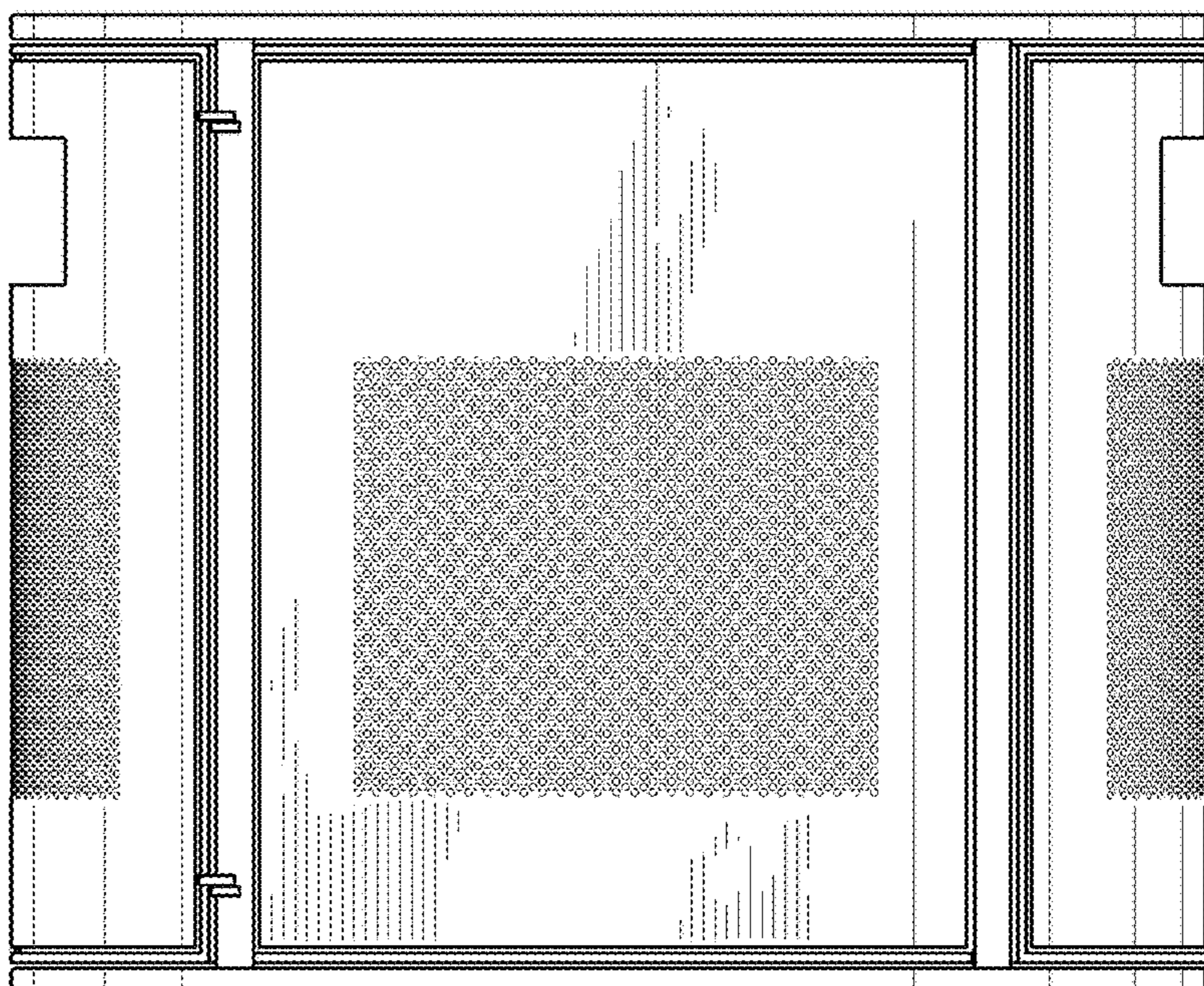


FIG. 2

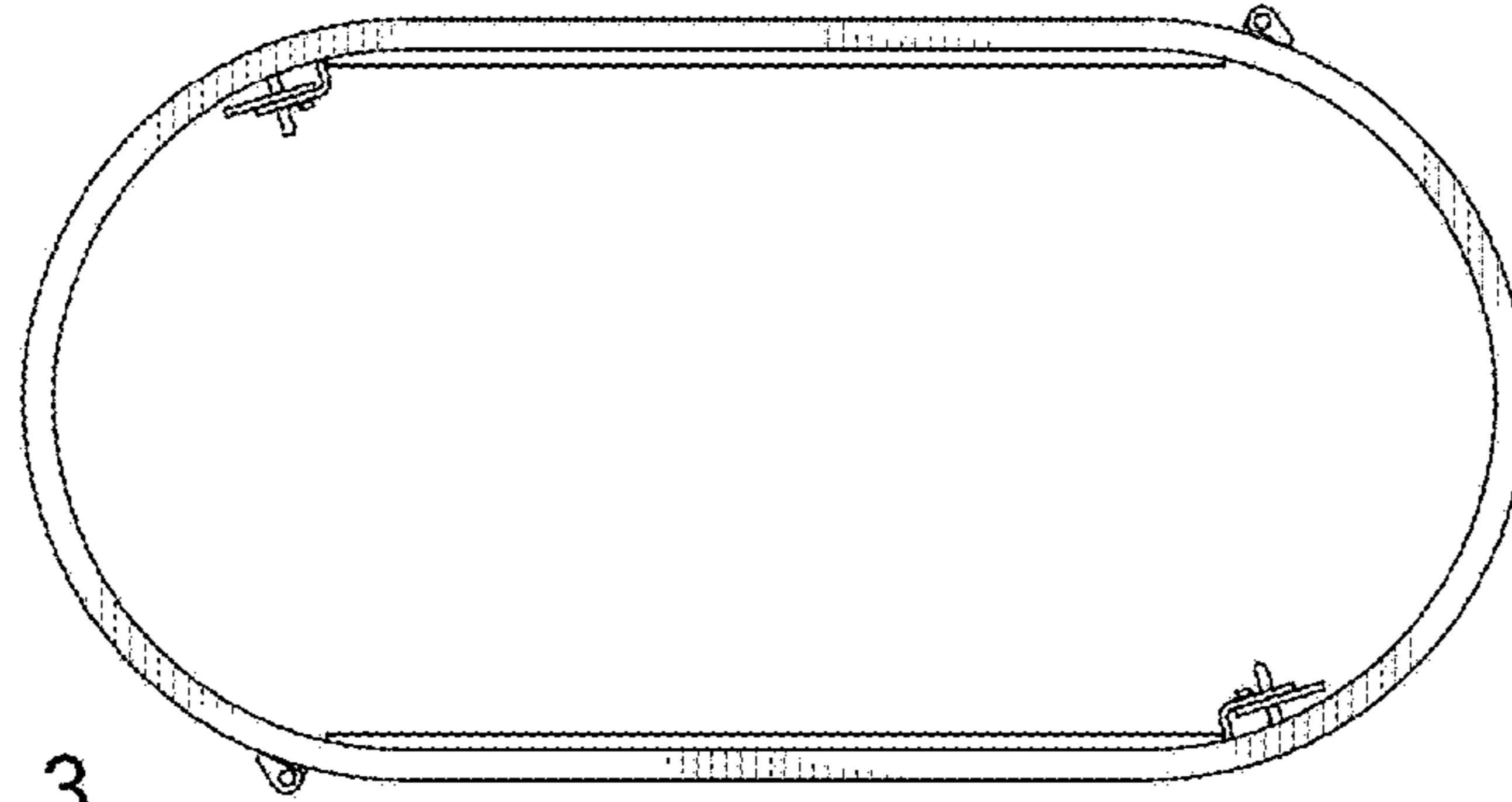


FIG. 3

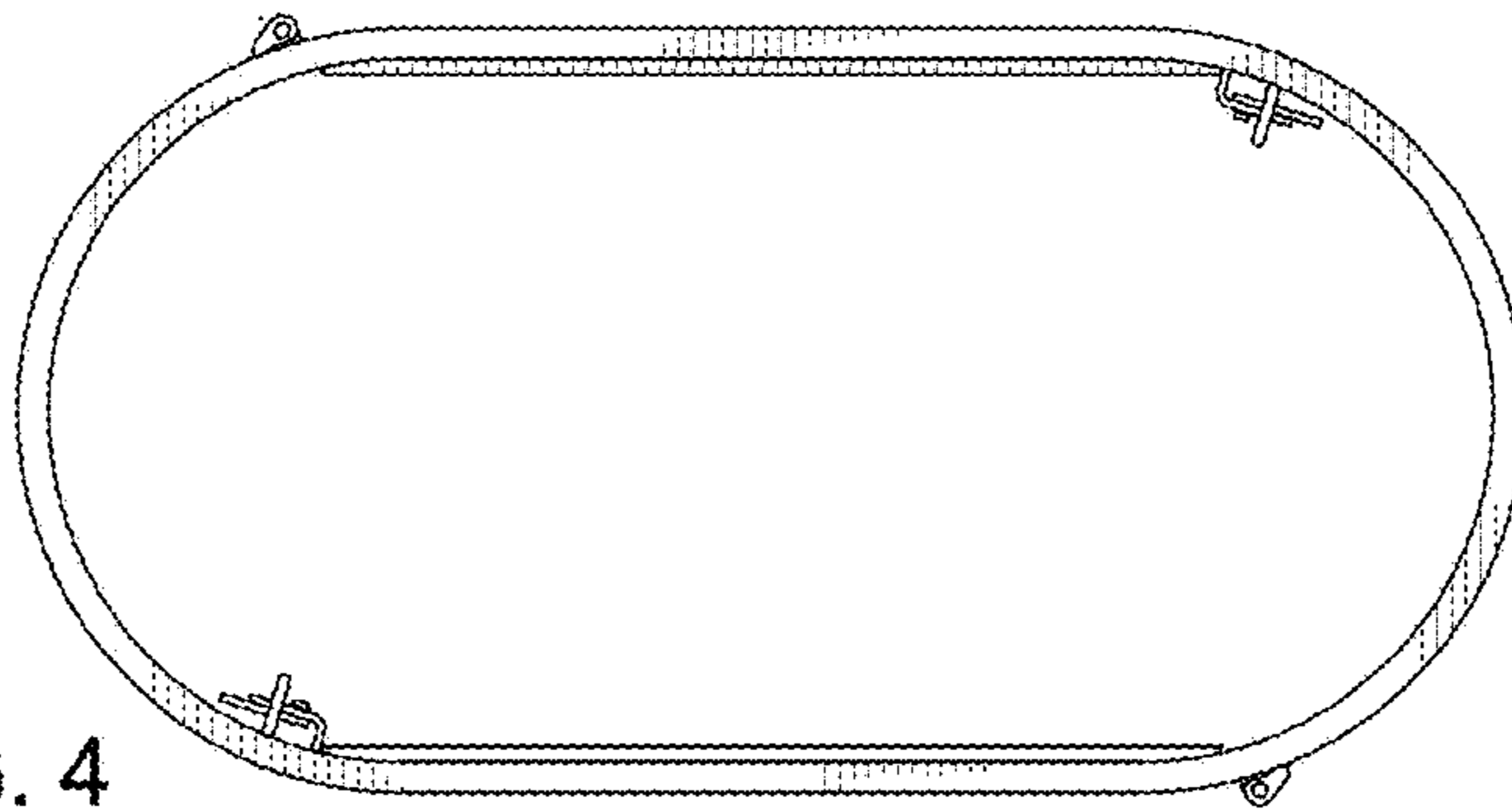


FIG. 4

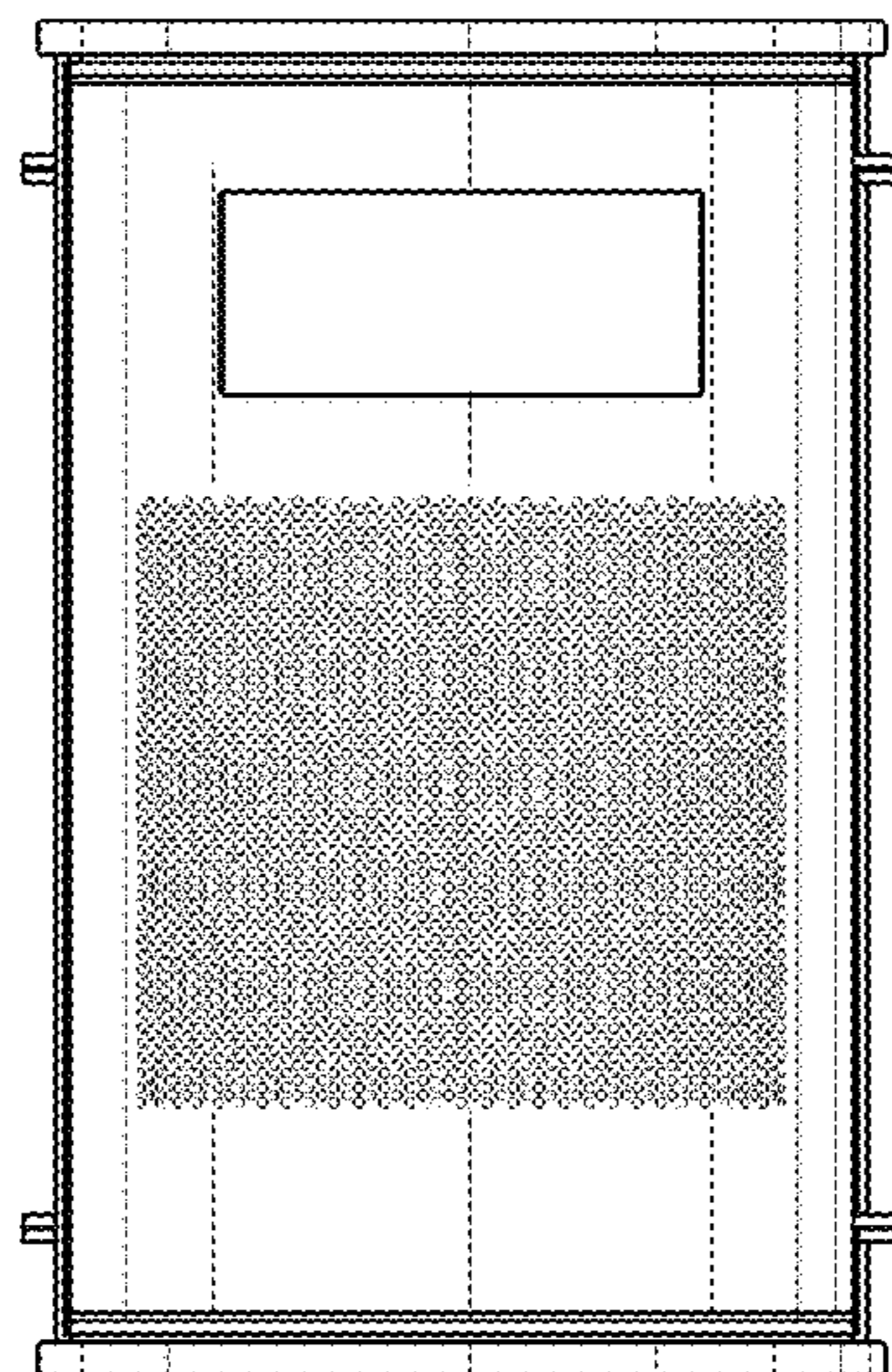


FIG. 5