



US00D800400S

(12) **United States Design Patent** (10) **Patent No.:** **US D800,400 S**
Tinius (45) **Date of Patent:** **** *Oct. 17, 2017**

(54) **BACKPACK BLOWER**
(71) Applicant: **Andreas Stihl AG & Co. KG**,
Waiblingen (DE)
(72) Inventor: **Michael Tinius**, Ulm (DE)
(73) Assignee: **Andreas Stihl AG & Co. KG**,
Waiblingen (DE)

(*) Notice: This patent is subject to a terminal disclaimer.

(**) Term: **14 Years**

(21) Appl. No.: **29/525,083**

(22) Filed: **Apr. 27, 2015**

(30) **Foreign Application Priority Data**

Dec. 23, 2014 (EM) 002604991-0002

(51) **LOC (10) Cl.** **15-05**

(52) **U.S. Cl.**
USPC **D32/16**

(58) **Field of Classification Search**
USPC D3/216; D15/11, 12, 15, 17; D32/1,
D32/15-19, 21, 25; D23/213, 383
CPC ... A47L 5/14; A47L 9/32; A01G 1/125; F04B
17/00; F04B 35/04
See application file for complete search history.

(56) **References Cited**

U.S. PATENT DOCUMENTS

D147,125 S 7/1947 Harvuot
3,940,818 A 3/1976 Anderson
D258,908 S 4/1981 Satoh
4,325,163 A 4/1982 Mattson et al.
D266,355 S 9/1982 Mariol
D266,587 S 10/1982 Satoh
D279,319 S 6/1985 McCloskey et al.
D285,848 S * 9/1986 Iida D32/15

D297,274 S 8/1988 Komiya et al.
D359,603 S 6/1995 Rakocy et al.
D375,822 S 11/1996 Lessig et al.
5,673,457 A 10/1997 Webster et al.
D393,506 S 4/1998 Ohi et al.
5,813,088 A * 9/1998 Wagner A47L 5/36
15/327.5

D400,322 S 10/1998 Webster et al.
D405,570 S 2/1999 Broecking

(Continued)

Primary Examiner — Michael A. Pratt

Assistant Examiner — Michelle E Wilson

(74) *Attorney, Agent, or Firm* — McGuireWoods LLP

(57) **CLAIM**

I claim the ornamental design for a backpack blower, as shown and described.

DESCRIPTION

The present application also relates to U.S. design patent application Ser. No. 29/523,105, titled "Operating Handle" and U.S. design patent application Ser. No. 29/523,110, titled "Operating Handle".

FIG. 1 is a left-rear perspective view of the backpack blower;

FIG. 2 is a front view of the backpack blower shown in FIG. 1;

FIG. 3 is a rear view of the backpack blower shown in FIG. 1;

FIG. 4 is a left side view of the backpack blower shown in FIG. 1;

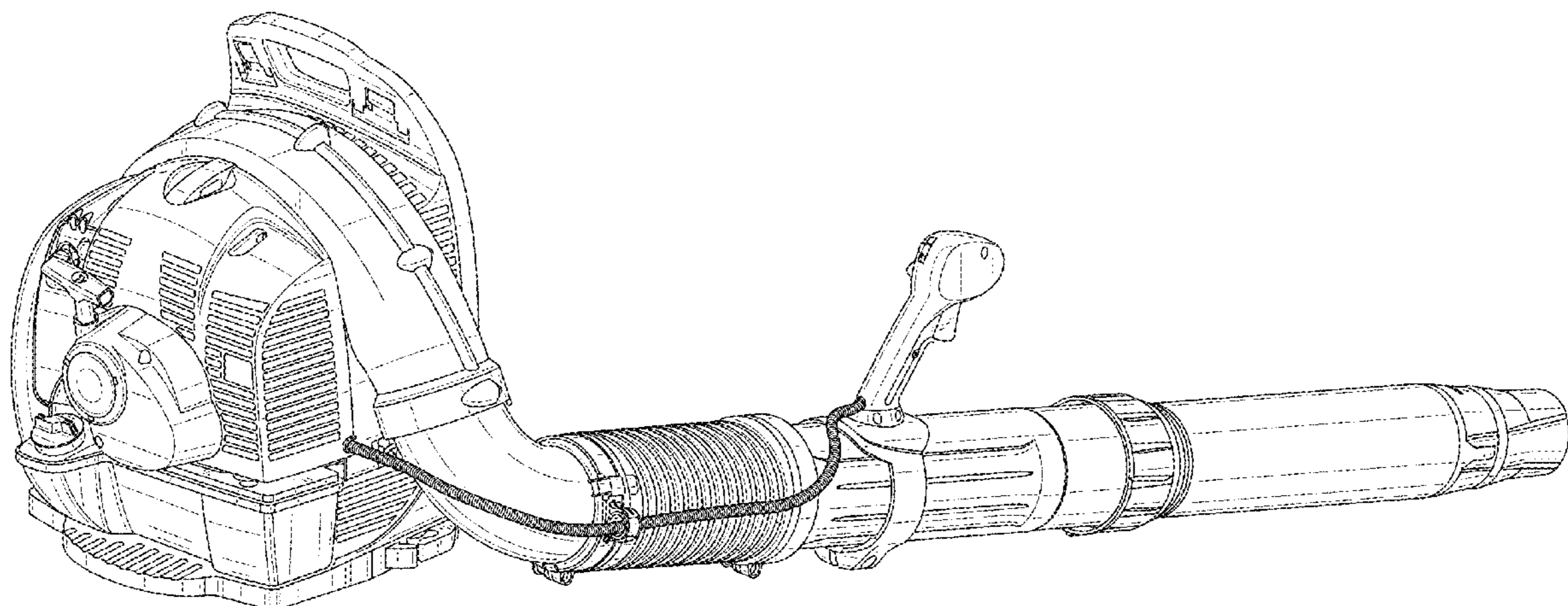
FIG. 5 is a right side view of the backpack blower shown in FIG. 1;

FIG. 6 is a top view of the backpack blower shown in FIG. 1; and,

FIG. 7 is a bottom view of the backpack blower shown in FIG. 1.

The subject matter shown in dashed lines, and any surfaces of the design not shown, including interior surfaces, form no part of the claimed invention.

1 Claim, 7 Drawing Sheets



(56)

References Cited

U.S. PATENT DOCUMENTS

5,950,276 A 9/1999 Everts et al.
 D416,360 S 11/1999 Enkyo et al.
 6,000,096 A 12/1999 Everts et al.
 D427,394 S 6/2000 Yamane et al.
 6,108,865 A 8/2000 Veser et al.
 D431,697 S 10/2000 Hayakawa et al.
 D461,604 S 8/2002 Martin et al.
 6,442,790 B1 9/2002 Svoboda et al.
 6,468,053 B2 10/2002 Wolpert
 D468,874 S 1/2003 Nawrozki et al.
 D469,931 S 2/2003 Nawrozki et al.
 D471,680 S 3/2003 Tokumaru et al.
 6,552,891 B1 4/2003 Prach
 D480,844 S 10/2003 Noma et al.
 D481,497 S * 10/2003 Malmqvist D3/216
 6,629,818 B2 10/2003 Svoboda
 D493,017 S 7/2004 Ito
 D497,459 S 10/2004 Nawrozki et al.
 D497,692 S 10/2004 Nawrozki et al.
 D498,885 S 11/2004 Robson
 6,834,413 B2 12/2004 Sanders et al.
 6,843,639 B2 1/2005 Schutt
 6,928,693 B1 * 8/2005 Ericson A01G 1/125
 134/42
 D521,528 S 5/2006 Kamijo et al.
 7,055,213 B2 * 6/2006 Iida A47L 5/14
 15/330
 D526,750 S 8/2006 Ito
 D529,243 S 9/2006 Noma et al.
 D532,897 S 11/2006 Yoshida et al.
 D533,266 S * 12/2006 Yoshida D23/383
 D556,395 S 11/2007 Martin

D558,939 S 1/2008 Yuasa
 D569,055 S 5/2008 Bochmann et al.
 D577,113 S * 9/2008 Tinius D23/383
 D583,925 S 12/2008 Tinius
 D584,460 S 1/2009 Sweeney
 D584,461 S 1/2009 Sweeney
 7,476,091 B2 1/2009 Saitou et al.
 D588,939 S 3/2009 Falkenstein
 D591,767 S 5/2009 Lee
 D591,916 S * 5/2009 Kosugi D32/15
 D594,961 S * 6/2009 Tinius D23/383
 D599,464 S * 9/2009 Noda D23/383
 D604,917 S * 11/2009 Tinius D32/15
 D605,819 S 12/2009 Tinius
 D615,716 S 5/2010 Tinius
 D637,774 S 5/2011 Li et al.
 D637,776 S 5/2011 Tinius
 D638,035 S 5/2011 Kosugi et al.
 D640,846 S * 6/2011 Tinius D32/15
 D662,951 S 7/2012 Tinius
 D668,822 S 10/2012 Tinius
 D698,106 S 1/2014 Crawley
 D711,056 S 8/2014 Crawley
 D711,057 S 8/2014 Crawley
 D719,307 S 12/2014 Carl et al.
 D741,917 S * 10/2015 Tinius D15/15
 D742,603 S * 11/2015 Tschopp D15/12
 2002/0108211 A1 8/2002 Svoboda
 2003/0233730 A1 12/2003 Sanders et al.
 2006/0130273 A1 * 6/2006 Norinder A01G 1/125
 15/405
 2008/0148513 A1 6/2008 Shaffer
 2009/0126147 A1 * 5/2009 Nakazawa F16L 11/15
 15/405

* cited by examiner

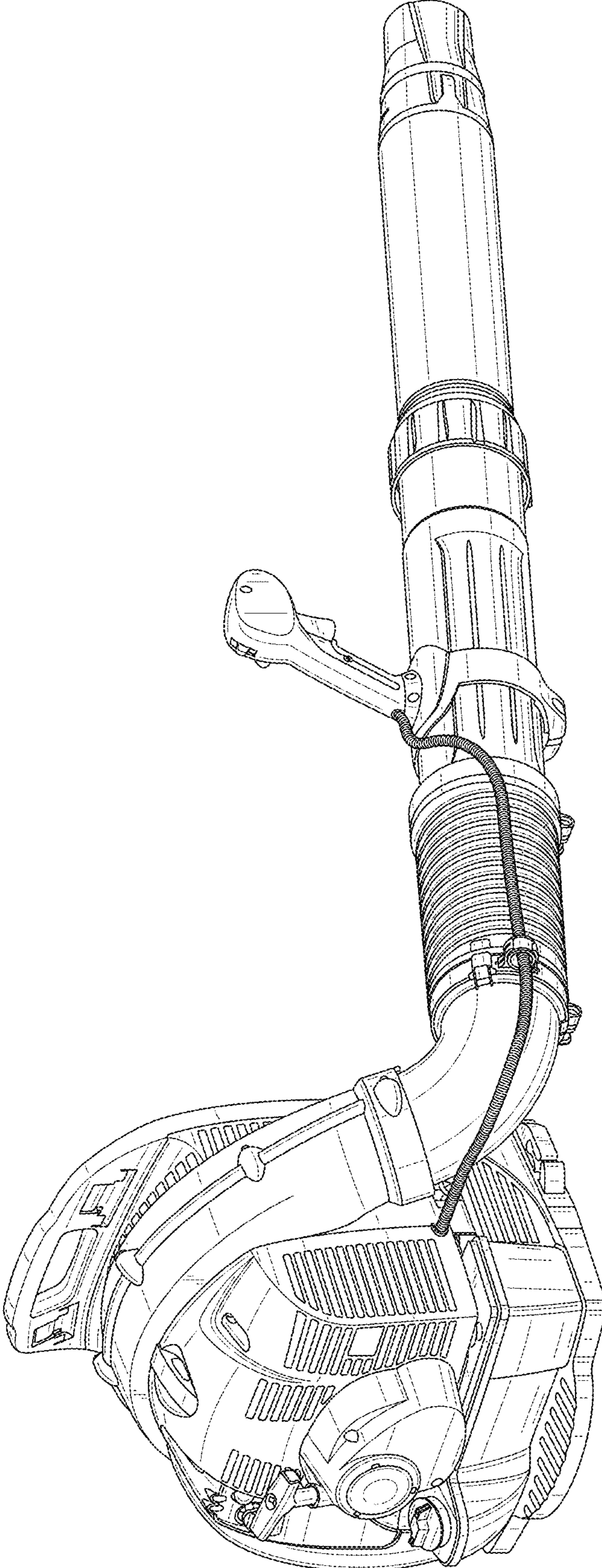


FIG. 1

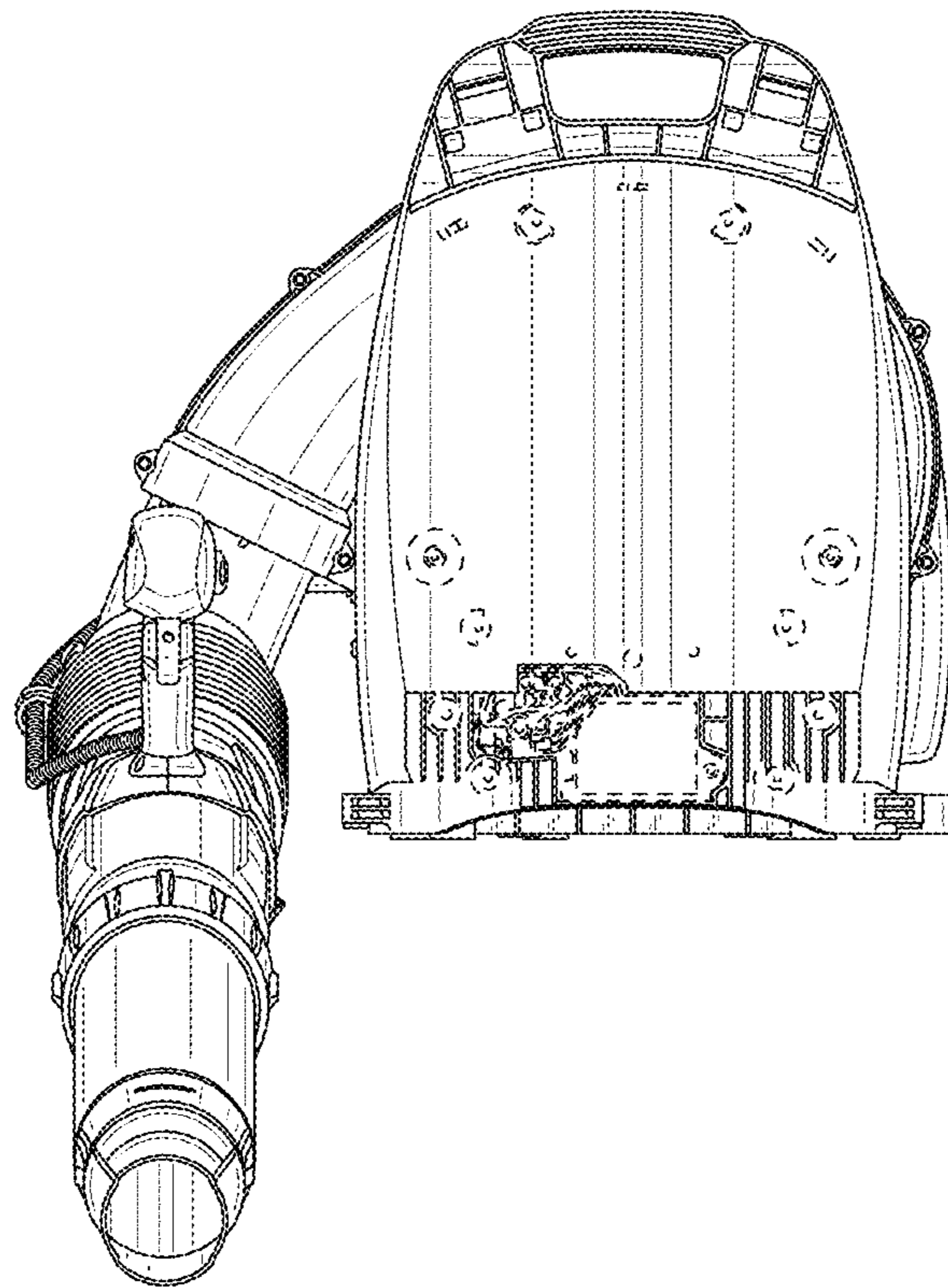


FIG. 2

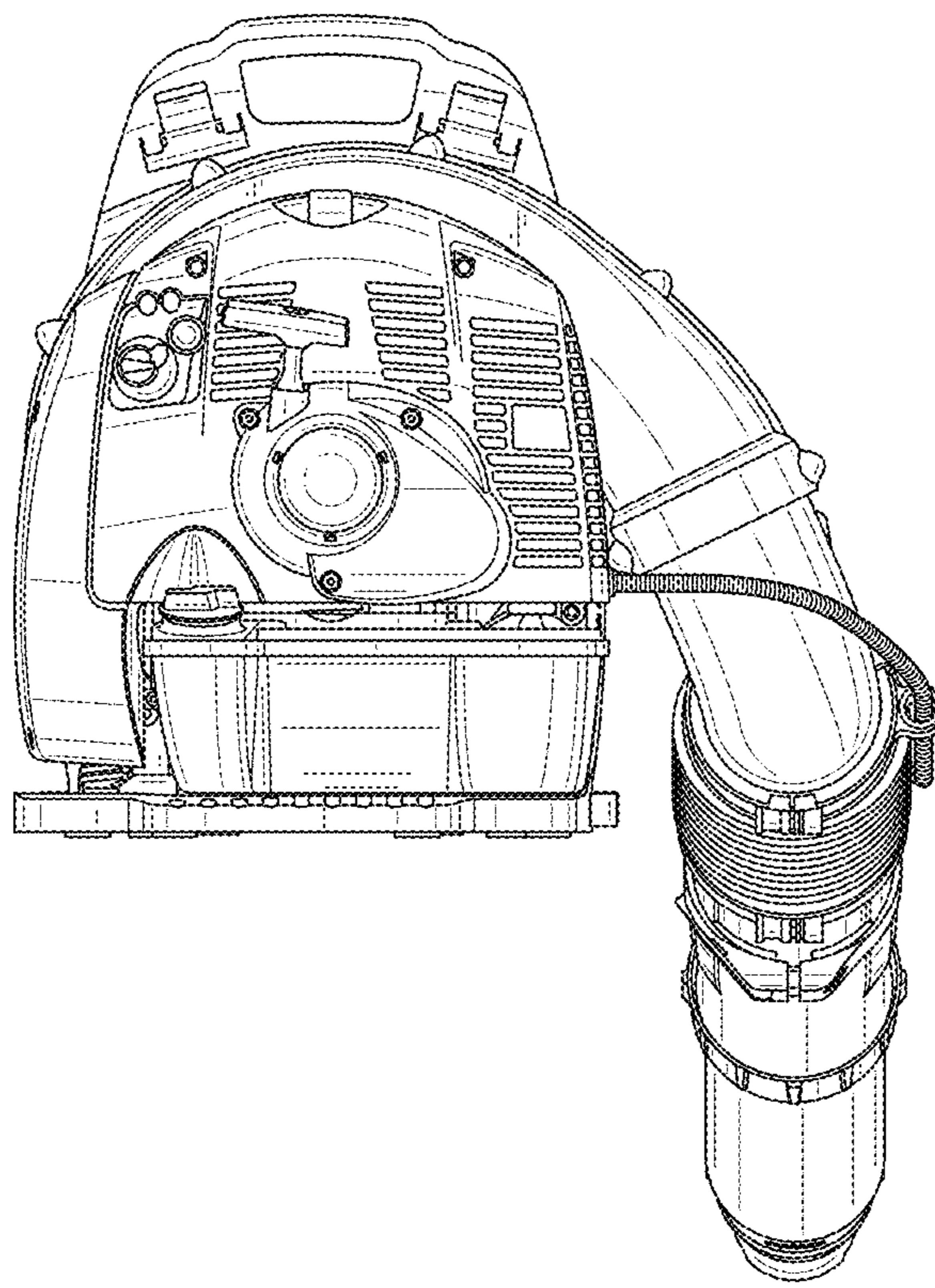


FIG. 3

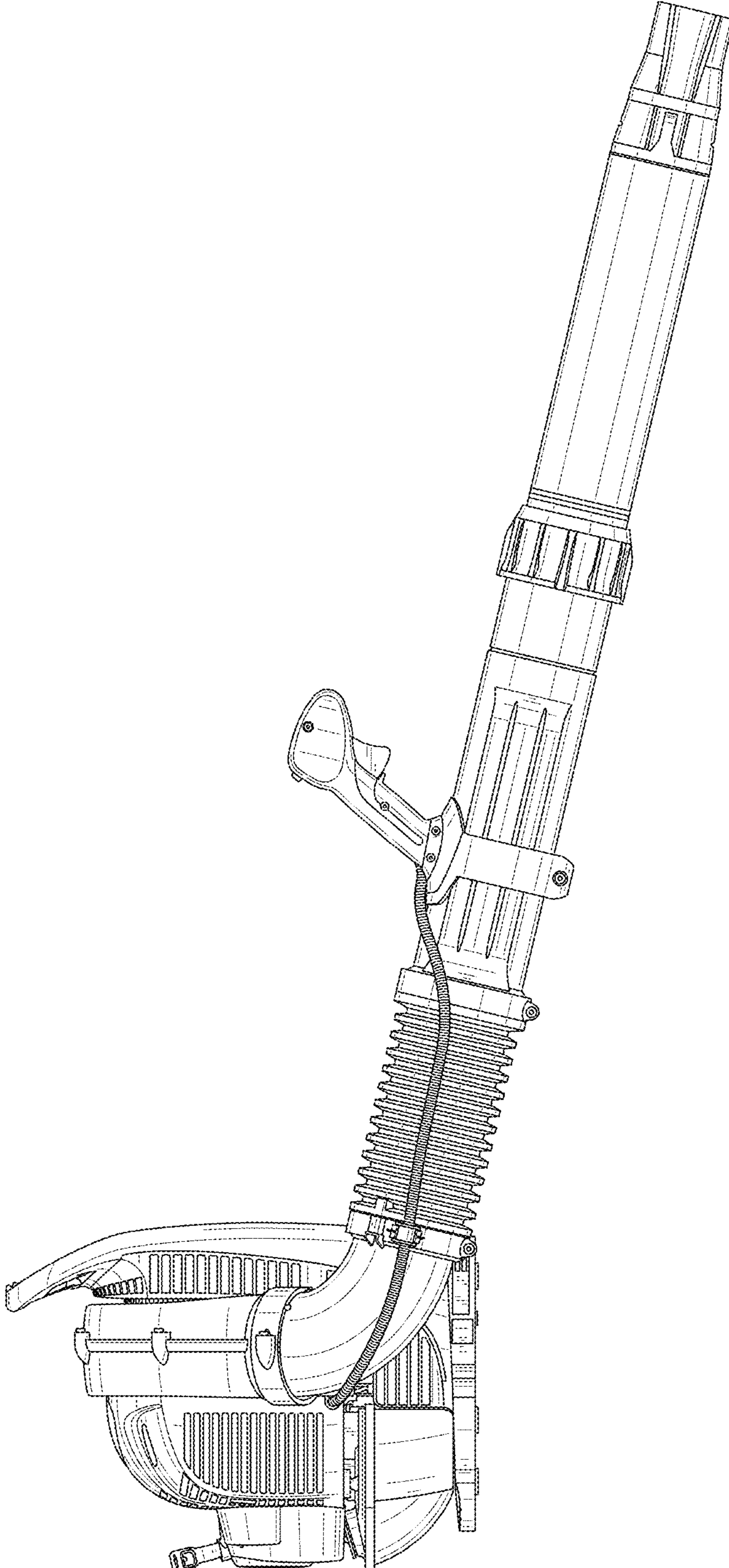


FIG. 4

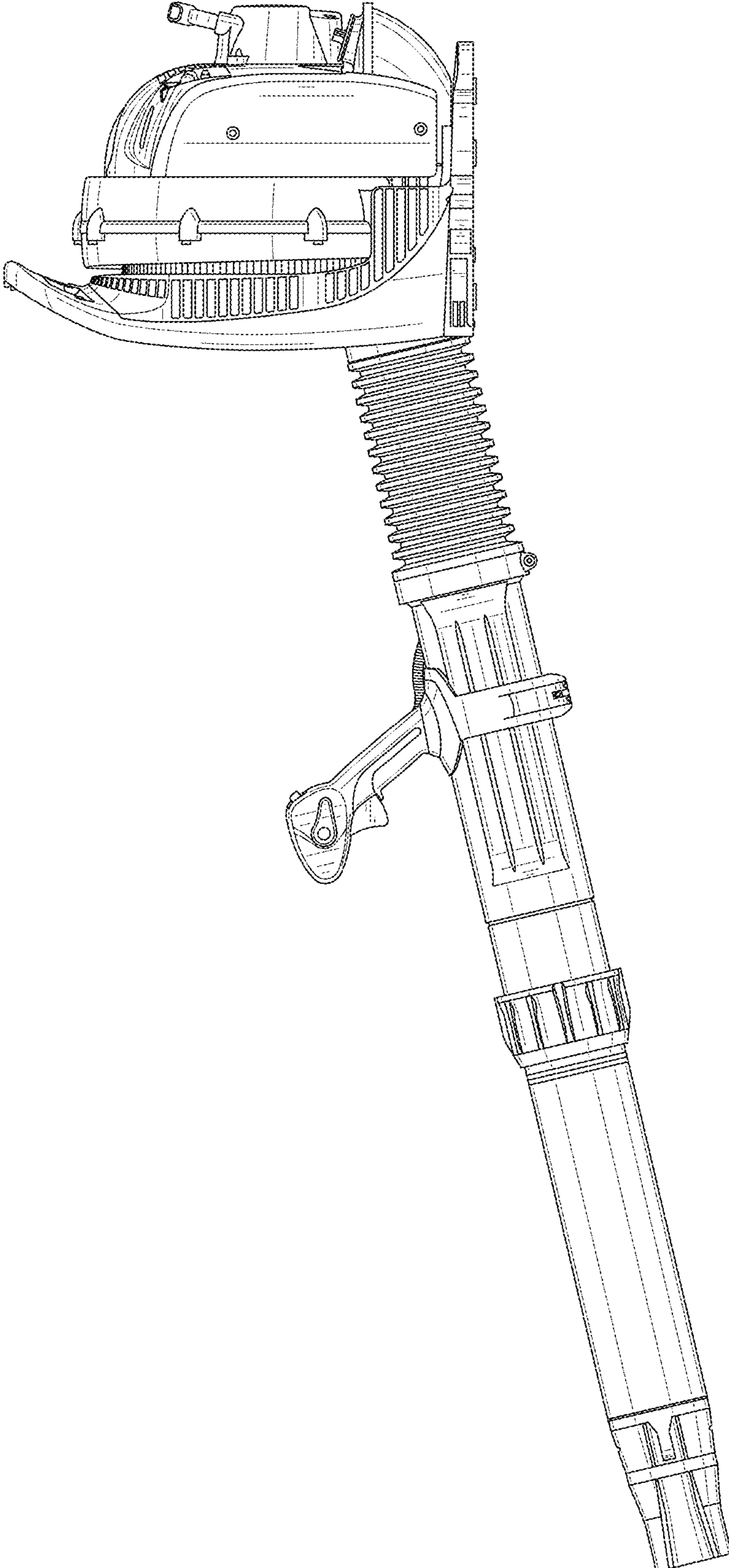


FIG. 5

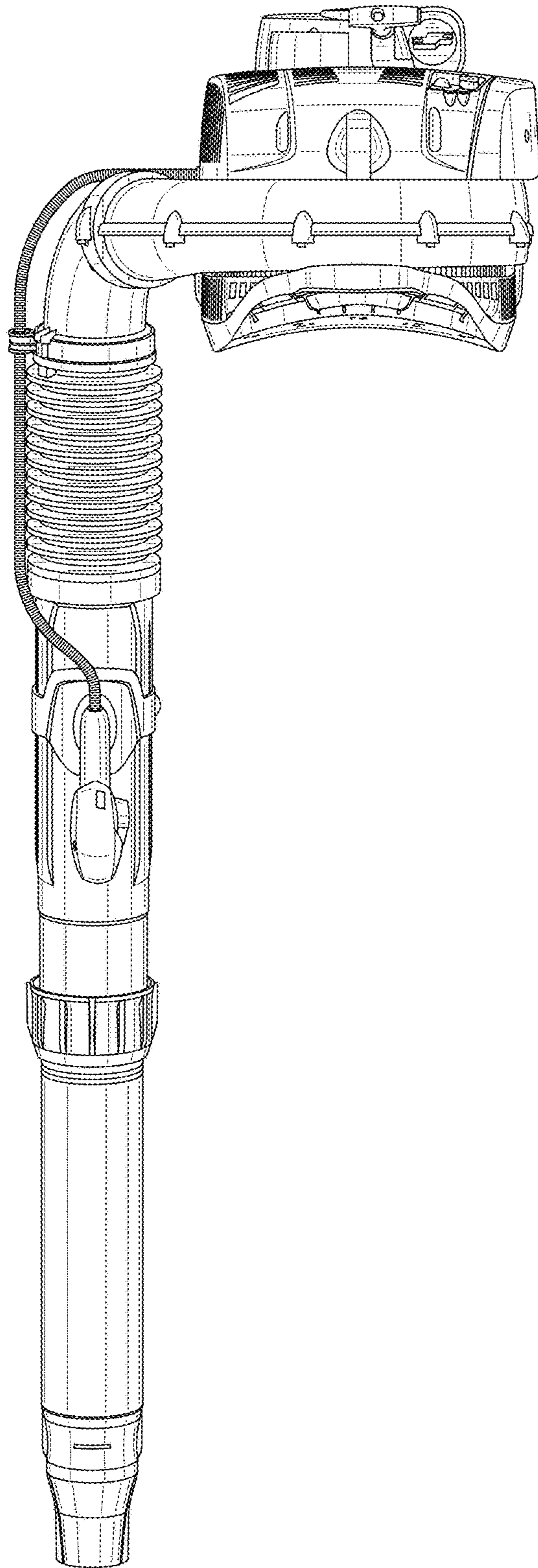


FIG. 6

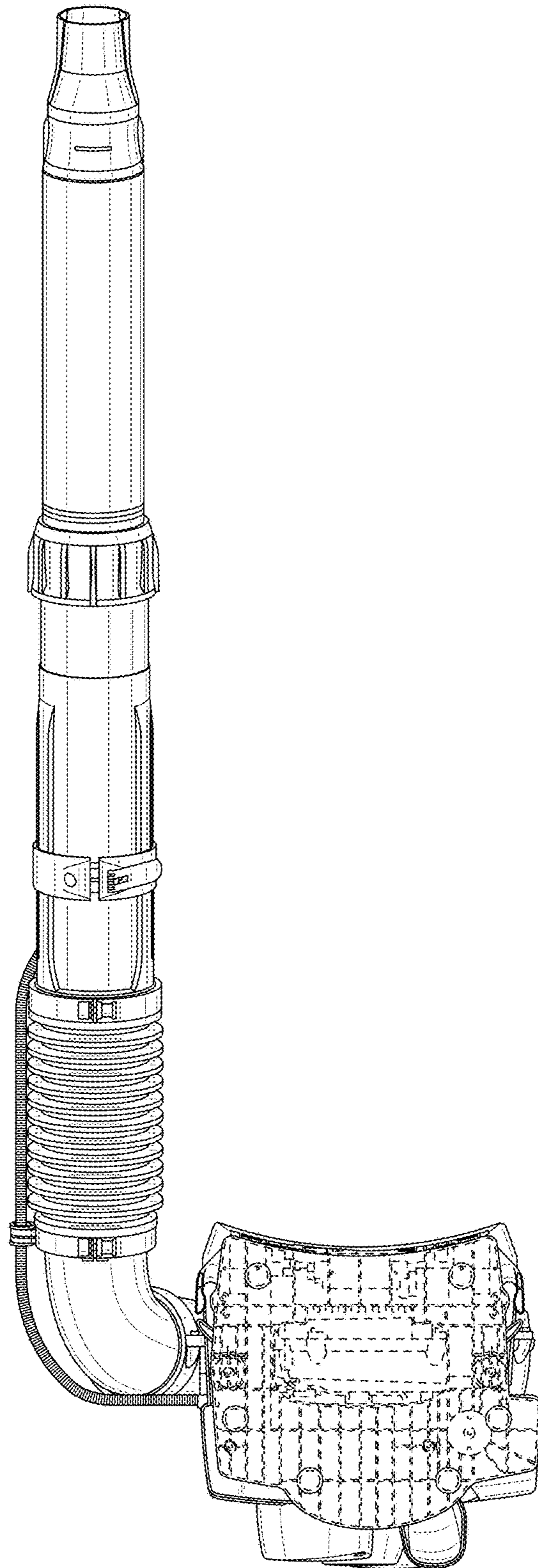


FIG. 7