



US00D800399S

(12) **United States Design Patent** (10) **Patent No.:** **US D800,399 S**  
**Beyda et al.** (45) **Date of Patent:** **\*\* Oct. 17, 2017**

- (54) **PORTABLE GARMENT DRYING APPARATUS**
- (71) Applicant: **Town & Country Living**, New York, NY (US)
- (72) Inventors: **Jeffrey Beyda**, New York, NY (US); **Gina Barnaba**, New York, NY (US); **Robert Passaretti**, New York, NY (US); **Ozcan Caliskanlar**, New York, NY (US)
- (73) Assignee: **TOWN & COUNTRY LIVING**, New York, NY (US)
- (\*\*) Term: **15 Years**
- (21) Appl. No.: **29/578,758**
- (22) Filed: **Sep. 23, 2016**
- (51) **LOC (10) Cl.** ..... **15-05**
- (52) **U.S. Cl.**  
USPC ..... **D32/8**
- (58) **Field of Classification Search**  
USPC ..... D32/1, 5-6, 8-10, 25  
CPC ..... D06F 59/02; D06F 58/14; D06F 73/02;  
D06F 58/10; A41D 13/012; F26B 21/008;  
F26B 9/003  
See application file for complete search history.

- 2,206,148 A 7/1940 Ayler  
 2,301,803 A 11/1942 Davis  
 2,324,072 A 7/1943 Frost  
 2,353,374 A 7/1944 Thompson  
 2,353,741 A 7/1944 Matthews et al.  
 2,363,467 A 11/1944 Stobridge  
 2,443,557 A 6/1948 Fitpold  
 2,445,403 A 7/1948 Mayerman  
 2,463,218 A 3/1949 Travis  
 D153,556 S 4/1949 Russell  
 2,527,642 A 10/1950 McWhorter  
 2,571,918 A 10/1951 Meninger  
 2,626,689 A 1/1953 Davis et al.  
 2,645,033 A 7/1953 Kling et al.

(Continued)

*Primary Examiner* — Michael A. Pratt  
*Assistant Examiner* — Michelle E Wilson  
 (74) *Attorney, Agent, or Firm* — Leason Ellis LLP

(57) **CLAIM**

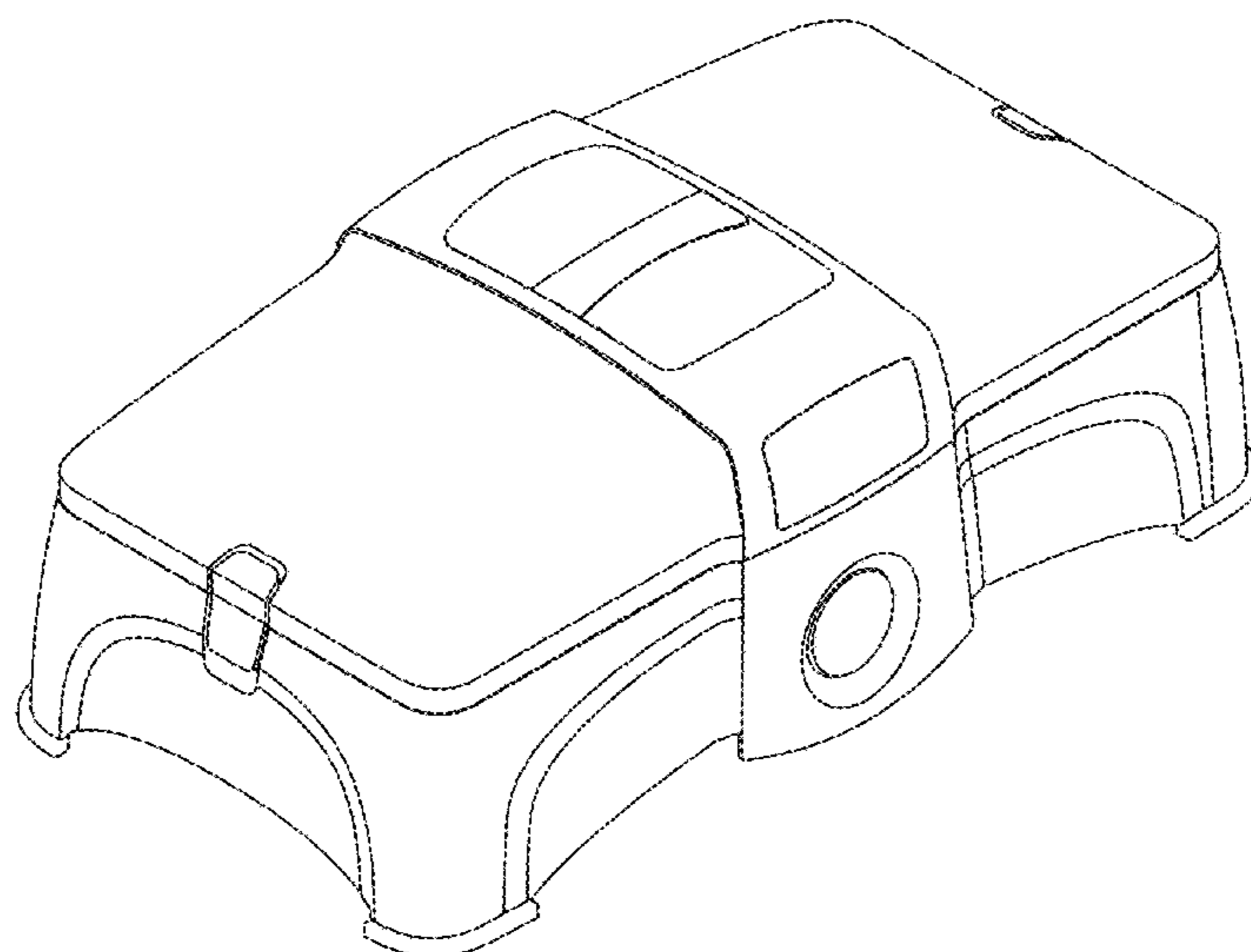
The ornamental design for a portable garment drying apparatus, as shown and described.

**DESCRIPTION**

FIG. 1 is a front and side perspective view of a portable garment drying apparatus showing our new design in a closed position;  
 FIG. 2 is a front elevation view thereof;  
 FIG. 3 is a rear elevation view thereof;  
 FIG. 4 is a top plan view thereof;  
 FIG. 5 is a bottom view thereof;  
 FIG. 6 is a left side elevation view thereof;  
 FIG. 7 is a right side elevation view thereof;  
 FIG. 8 is a front elevation view thereof in which the portable garment drying apparatus is in an open position with a garment enclosure extending between detachable top and bottom parts of the apparatus; and,  
 FIG. 9 is a right side elevation view thereof.  
 The broken lines shown represent unclaimed subject matter and form no part of the claimed design.

**1 Claim, 8 Drawing Sheets**

- (56) **References Cited**  
 U.S. PATENT DOCUMENTS
- |             |         |            |
|-------------|---------|------------|
| 967,346 A   | 8/1910  | Dirkes     |
| 1,833,631 A | 11/1931 | Wilsey     |
| 1,893,398 A | 1/1933  | Chamberlin |
| 2,057,406 A | 10/1936 | Willson    |
| 2,114,776 A | 4/1938  | Davis      |
| D115,502 S  | 7/1939  | Kohl       |
| D117,957 S  | 12/1939 | Novotny    |
| 2,182,156 A | 12/1939 | McCarty    |
| 2,203,422 A | 6/1940  | Stobridge  |



(56)

References Cited

U.S. PATENT DOCUMENTS

2,701,921 A 2/1955 Strongson  
 2,704,896 A 3/1955 Hopkins  
 2,705,377 A 4/1955 Koastandt  
 2,728,996 A 1/1956 Mason  
 2,732,701 A 1/1956 Smith  
 2,751,734 A 6/1956 Ratliff  
 3,577,650 A \* 5/1971 Brahm ..... D06F 58/14  
 219/386  
 3,739,492 A \* 6/1973 Brooks ..... D06F 58/14  
 34/218  
 4,406,071 A \* 9/1983 Buchanan ..... D06F 58/14  
 34/201  
 4,578,881 A \* 4/1986 Karlsson ..... D06F 58/10  
 34/211  
 4,761,896 A \* 8/1988 Miyata ..... D06F 43/088  
 34/611  
 D312,899 S \* 12/1990 Faulkner ..... D3/278  
 5,359,786 A \* 11/1994 Vierling ..... D06F 73/02  
 34/218  
 5,642,572 A \* 7/1997 Manning ..... D06F 58/14  
 34/621  
 5,815,961 A \* 10/1998 Estes ..... D06F 73/02  
 223/67  
 5,829,162 A \* 11/1998 Pace ..... D06F 58/14  
 34/202

D466,657 S \* 12/2002 Van Hauwermeiren ..... D32/10  
 6,726,186 B2 \* 4/2004 Gaaloul ..... D06F 73/02  
 239/102.2  
 6,757,986 B2 \* 7/2004 Miller ..... D06F 58/14  
 34/132  
 6,840,068 B2 \* 1/2005 Pasin ..... D06F 73/02  
 223/51  
 6,922,911 B2 \* 8/2005 Lam ..... A47G 25/443  
 34/237  
 D521,196 S \* 5/2006 Seiffert ..... D32/6  
 D546,006 S \* 7/2007 Stroud ..... D32/8  
 7,444,840 B2 \* 11/2008 Jackson ..... D06F 58/203  
 68/100  
 D584,866 S \* 1/2009 Mangano ..... D32/8  
 D595,460 S \* 6/2009 Mangano ..... D32/8  
 D637,369 S \* 5/2011 Mangano ..... D32/8  
 7,941,936 B2 \* 5/2011 Mangano ..... D06F 58/10  
 206/287  
 D644,383 S \* 8/2011 Mangano ..... D32/8  
 2005/0120757 A1 \* 6/2005 Jackson ..... D06F 73/02  
 68/5 C  
 2008/0256989 A1 \* 10/2008 Jeong ..... D06F 58/14  
 68/5 C  
 2008/0289210 A1 \* 11/2008 Mangano ..... D06F 58/14  
 34/104  
 2009/0282692 A1 \* 11/2009 Seiffert ..... D06F 58/14  
 34/202

\* cited by examiner

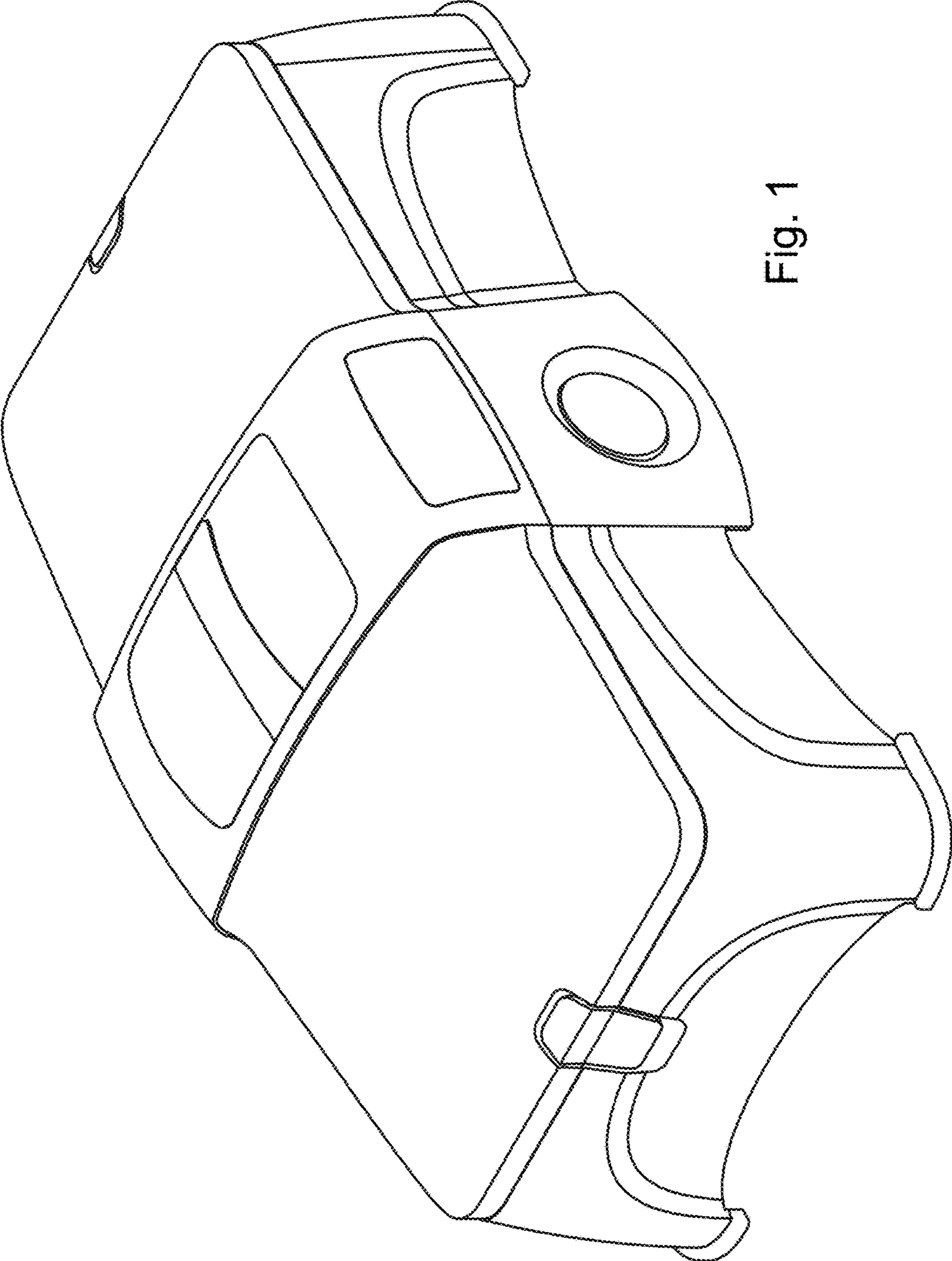


Fig. 1

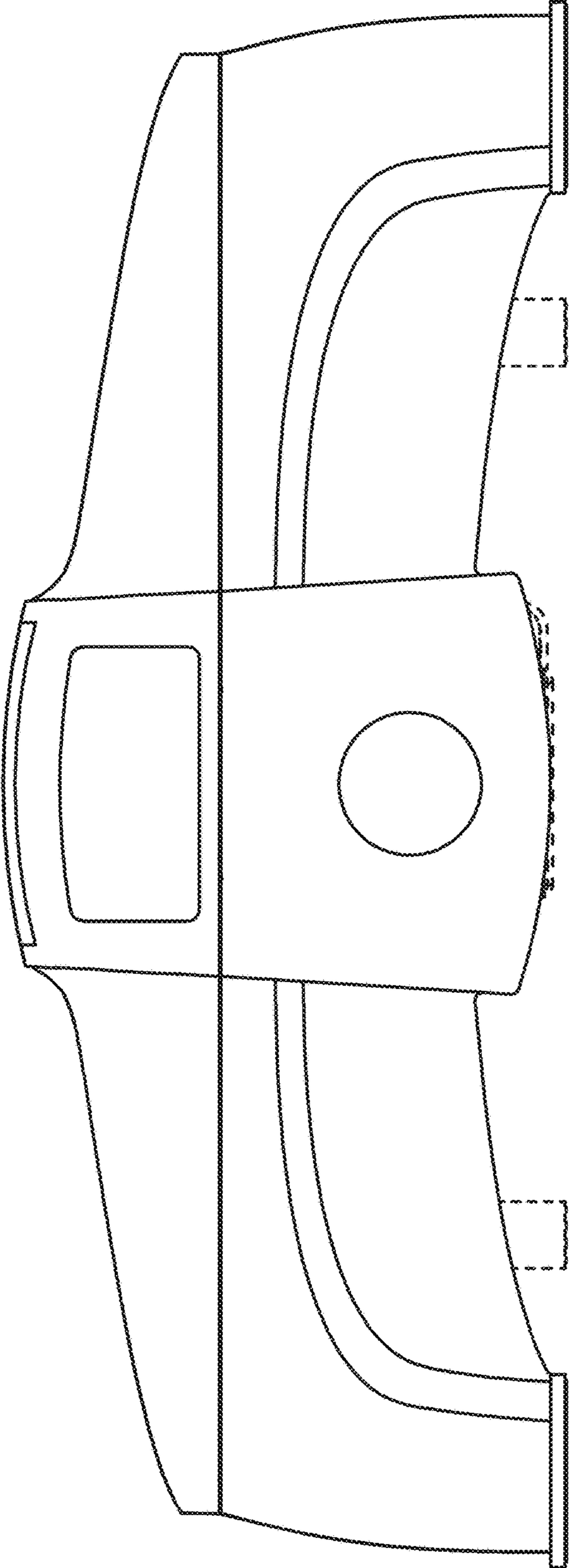


Fig. 2

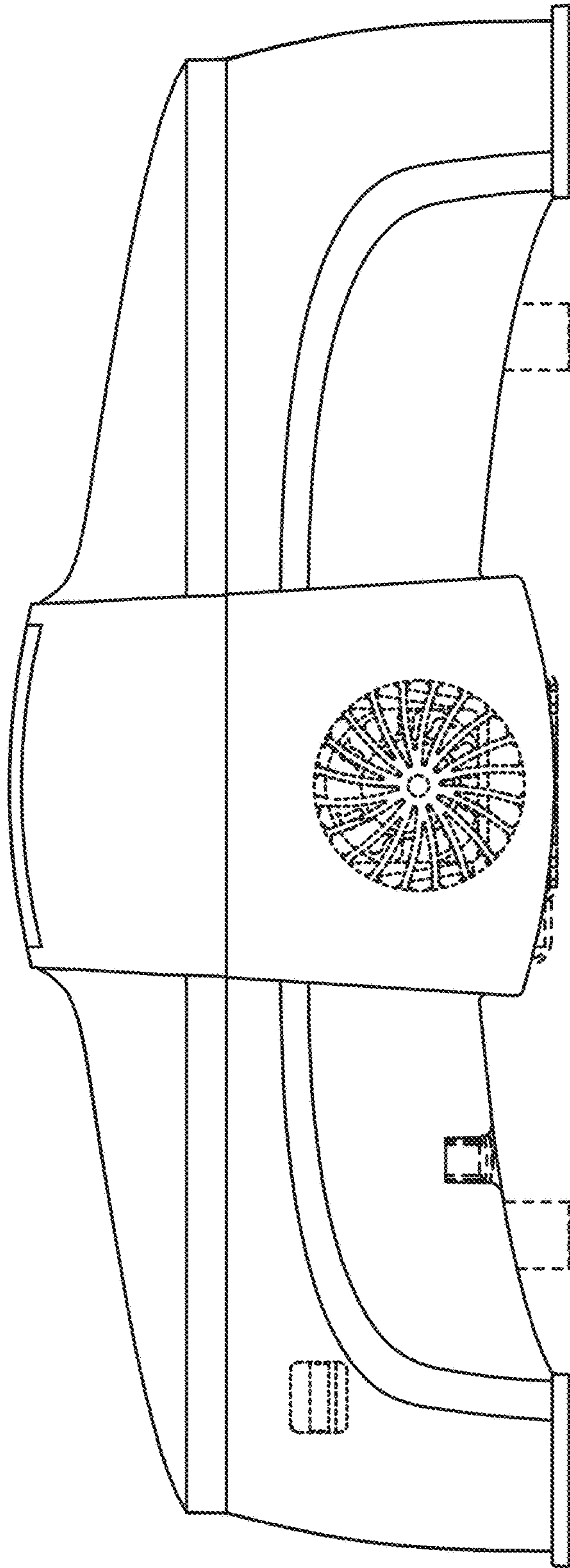


Fig. 3

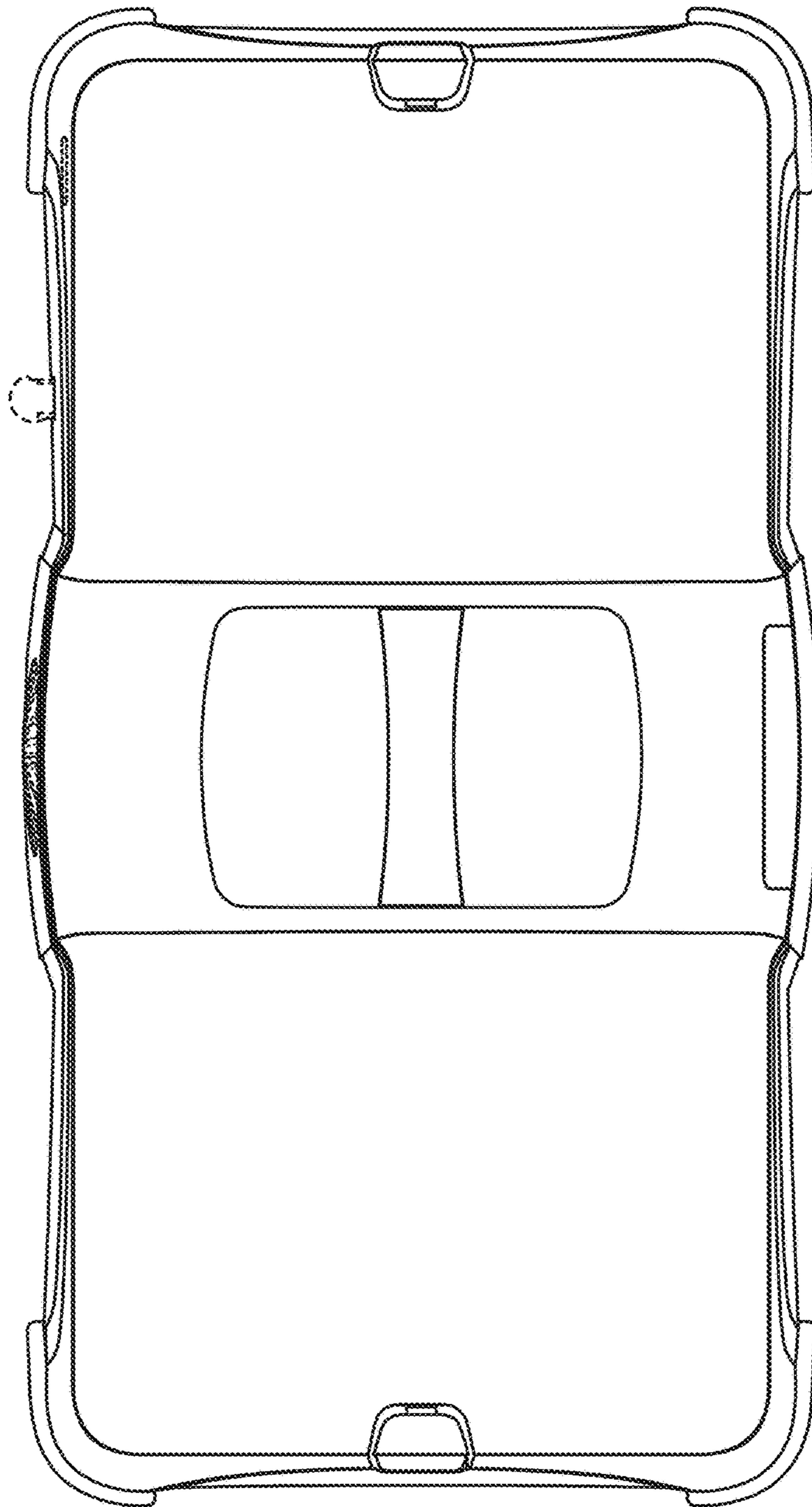


Fig. 4

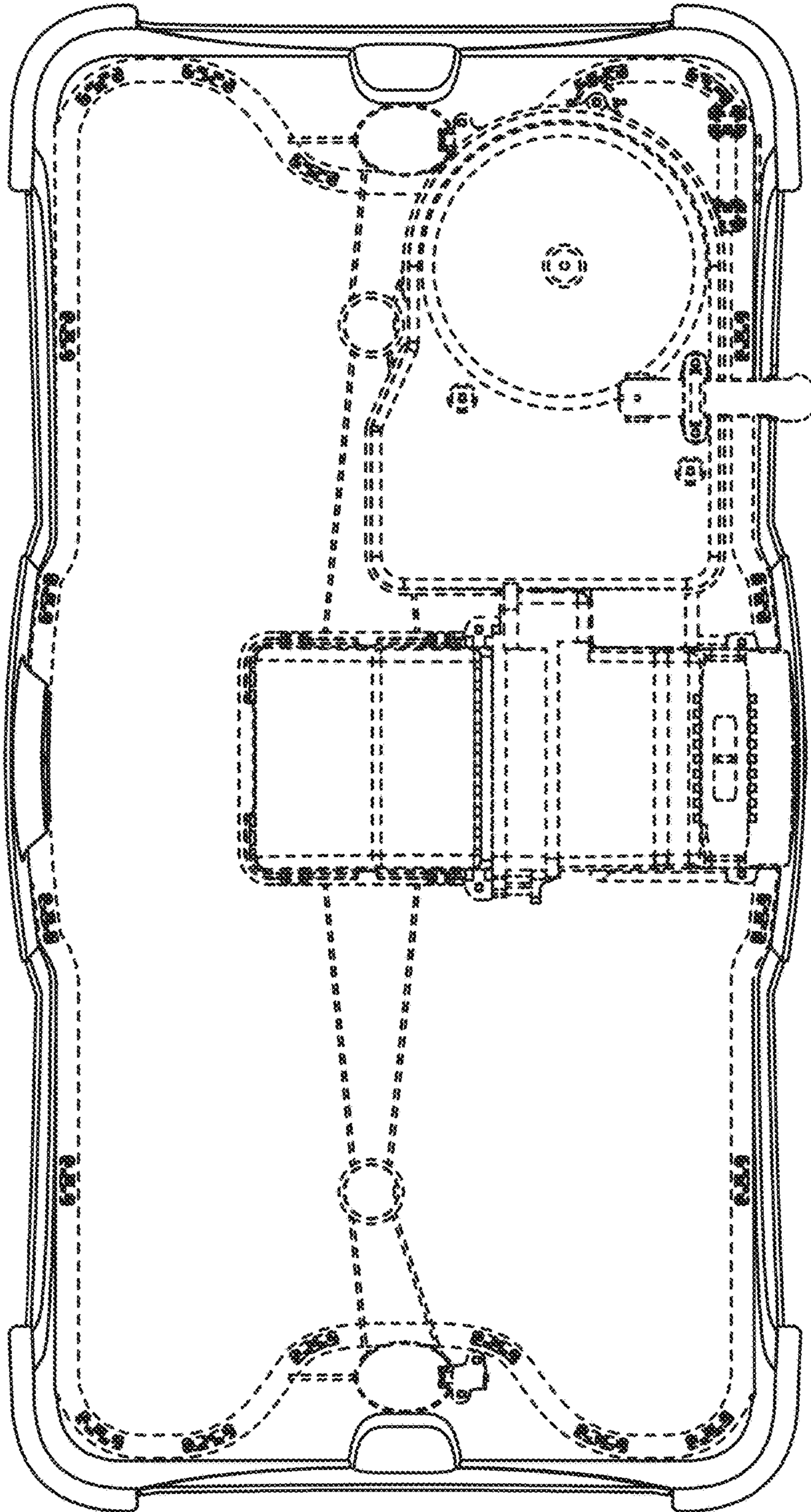


Fig. 5

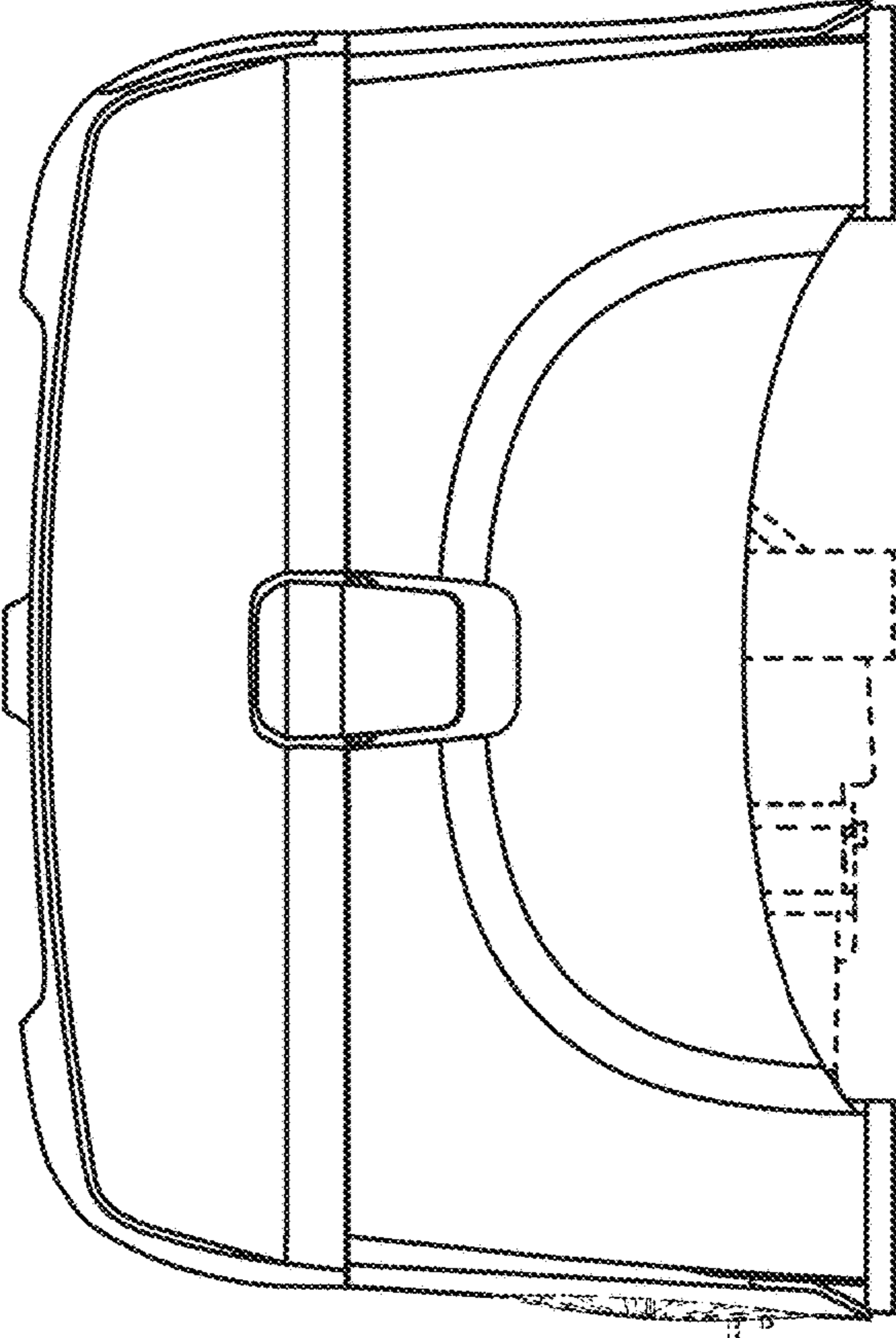


Fig. 6



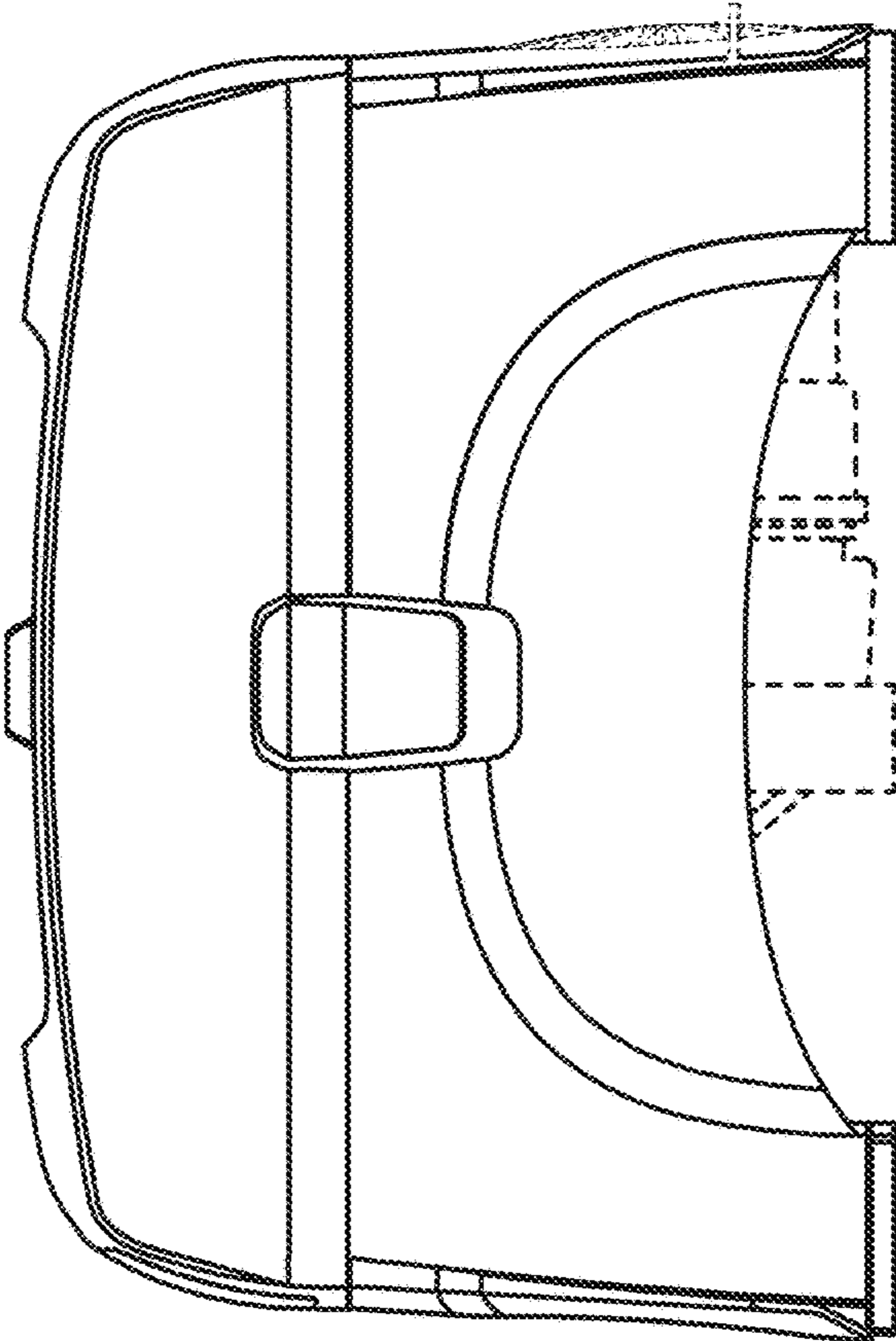


Fig. 7

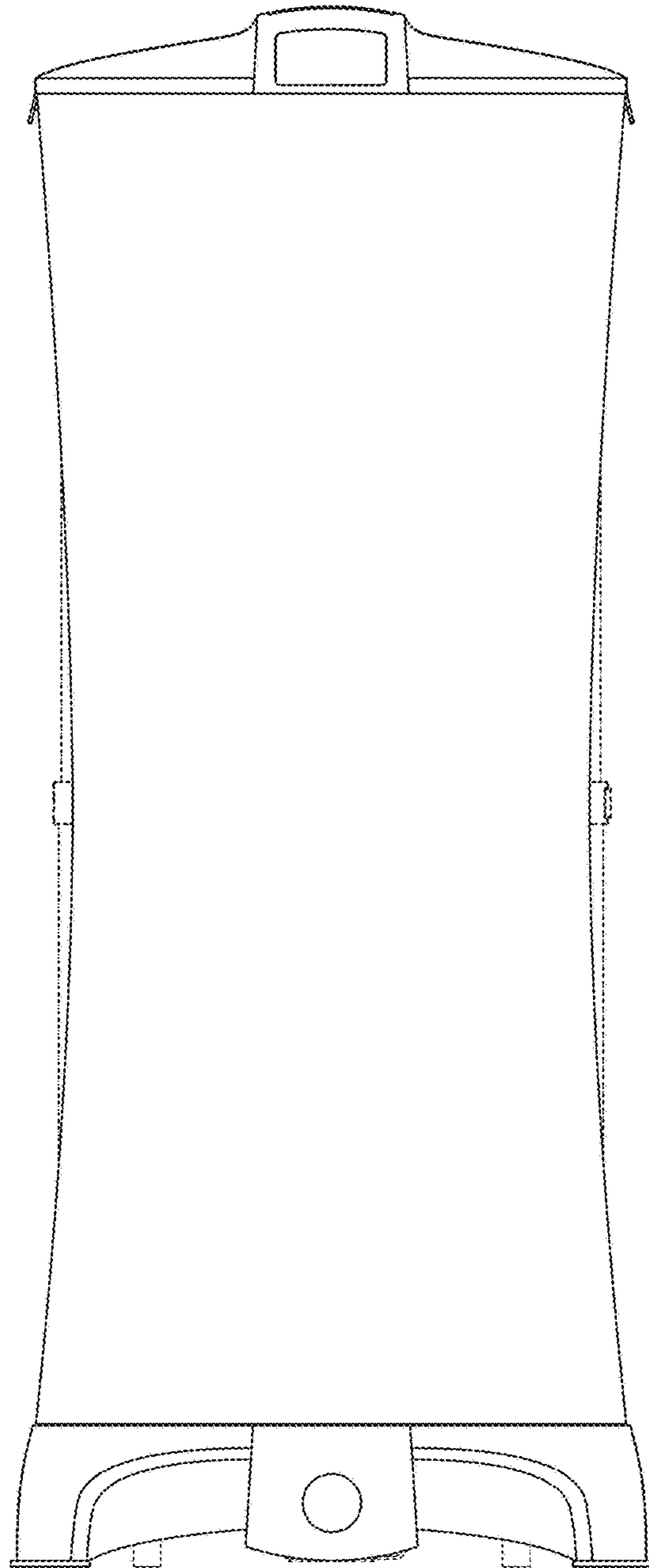


Fig. 8

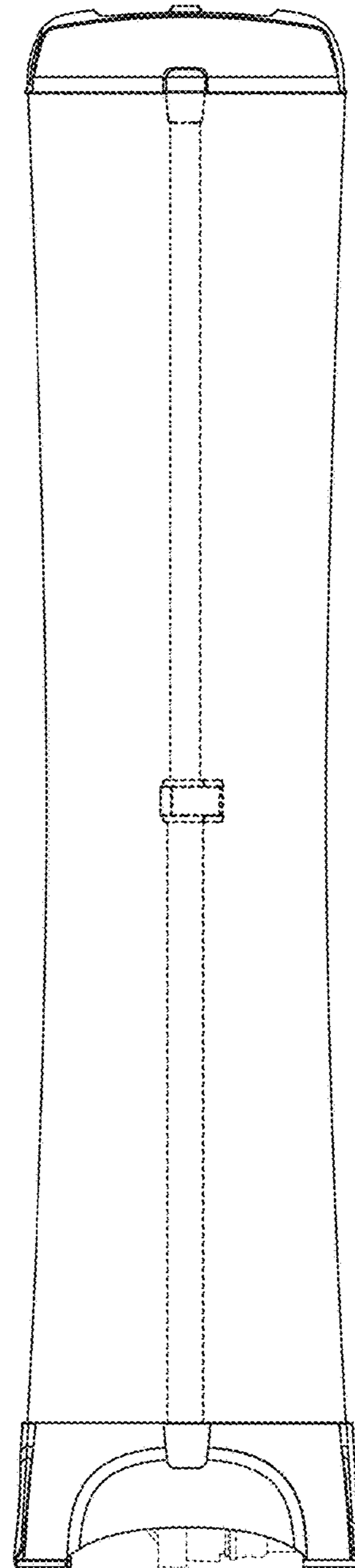


Fig. 9