



US00D800398S

(12) **United States Design Patent**  
**Haft et al.**

(10) **Patent No.:** **US D800,398 S**  
(45) **Date of Patent:** **\*\* Oct. 17, 2017**

- (54) **DISHWASHER TUB BOTTOM**
- (71) Applicant: **Wolf Appliance, Inc.**, Fitchburg, WI (US)
- (72) Inventors: **Thomas Haft**, Madison, WI (US);  
**Gerry Lippincott**, Milton, WI (US);  
**Colin R. Clerkin**, Waunakee, WI (US);  
**Brian Wylie**, Stoughton, WI (US)
- (73) Assignee: **Wolf Appliance, Inc.**, Fitchburg, WI (US)
- (\*\*) Term: **15 Years**
- (21) Appl. No.: **29/585,963**
- (22) Filed: **Nov. 30, 2016**

- 3,817,590 A \* 6/1974 Brezosky ..... A47B 88/437  
312/228.1
- 3,834,783 A \* 9/1974 Jenkins ..... A47L 15/4272  
312/311
- 3,908,854 A \* 9/1975 Long ..... B21D 51/18  
220/656

(Continued)

*Primary Examiner* — Michael A. Pratt  
*Assistant Examiner* — Michelle E Wilson  
(74) *Attorney, Agent, or Firm* — Bell & Manning, LLC

(57) **CLAIM**

We claim the ornamental design for a dishwasher tub bottom, as shown and described.

**DESCRIPTION**

FIG. 1 is a front perspective view of a sixth embodiment of our new design for a dishwasher tub bottom shown in its environment;  
 FIG. 2 is a front, right perspective view of the dishwasher tub bottom of FIG. 1;  
 FIG. 3 is a front elevation view of the dishwasher tub bottom of FIG. 1;  
 FIG. 4 is a back elevation view of the dishwasher tub bottom of FIG. 1;  
 FIG. 5 is a right elevation view of the dishwasher tub bottom of FIG. 1;  
 FIG. 6 is a left elevation view of the dishwasher tub bottom of FIG. 1;  
 FIG. 7 is a top plan view of the dishwasher tub bottom of FIG. 1;  
 FIG. 8 is a bottom plan view of the dishwasher tub bottom of FIG. 1; and,  
 FIG. 9 is a cross-sectional view of the dishwasher tub bottom of FIG. 1.  
 The broken lines in FIGS. 1-9 form no part of the claimed design. FIGS. 2-9 show the dishwasher tub bottom enlarged relative to that shown in FIG. 1 with the dishwasher tub bottom in its environment.

**Related U.S. Application Data**

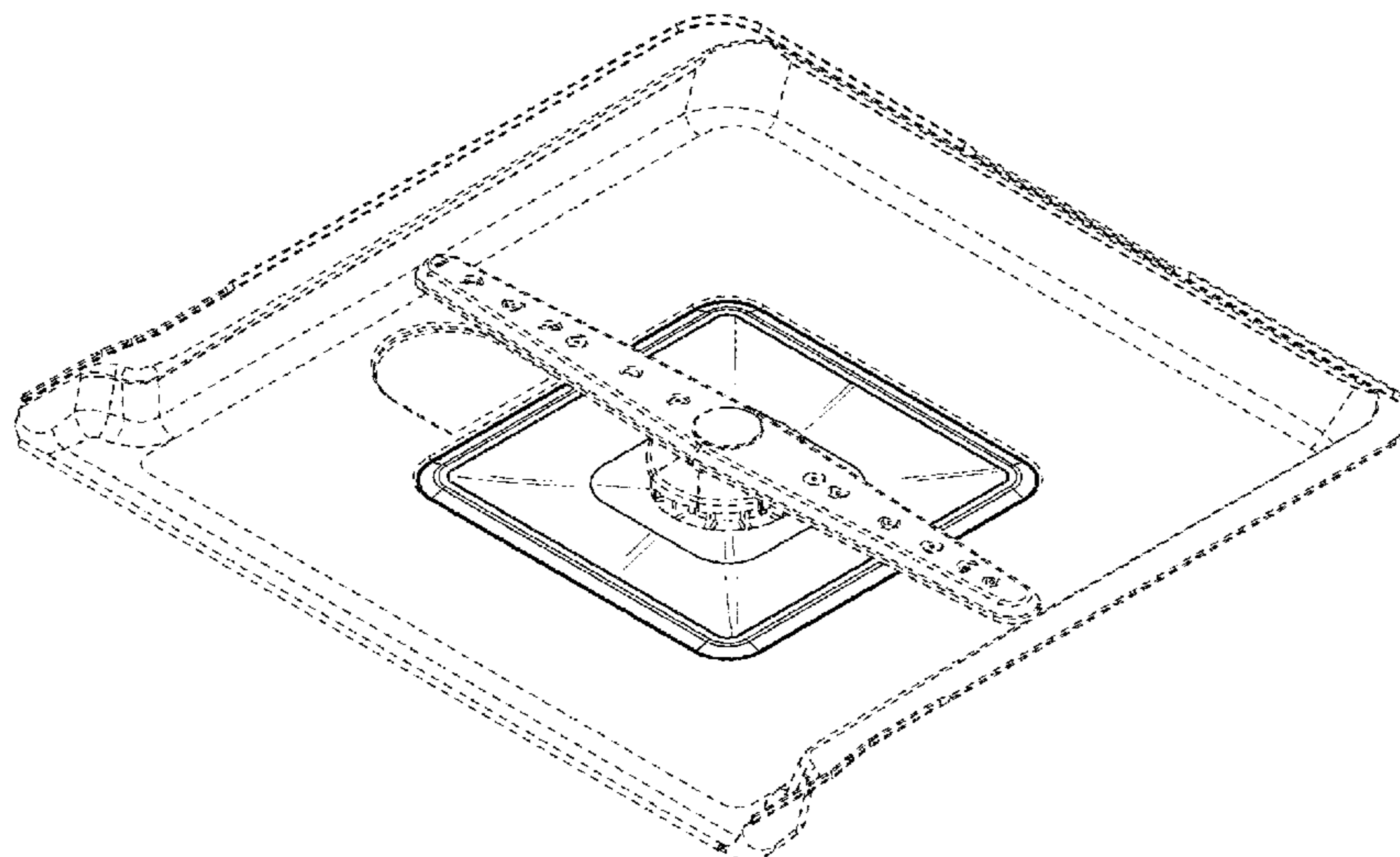
- (62) Division of application No. 29/493,111, filed on Jun. 5, 2014, now Pat. No. Des. 776,372.
- (51) **LOC (10) Cl.** ..... **15-05**
- (52) **U.S. Cl.**  
USPC ..... **D32/3**
- (58) **Field of Classification Search**  
USPC ..... D32/1-3, 25-27; D23/213, 218, 221  
CPC .. A47L 15/00; A47L 15/0002; A47L 15/0005;  
A47L 15/0007; A47L 15/0015; A47L  
15/0023  
See application file for complete search history.

**References Cited**

**U.S. PATENT DOCUMENTS**

- 2,489,485 A \* 11/1949 Franklin ..... A47L 15/16  
134/109
- 2,563,109 A \* 8/1951 Franklin ..... A47L 15/18  
134/148
- 3,732,835 A \* 5/1973 Long ..... B21D 51/18  
72/348

**1 Claim, 4 Drawing Sheets**



(56)

**References Cited**

U.S. PATENT DOCUMENTS

4,028,012 A \* 6/1977 Cushing ..... A47L 15/4225  
 134/183  
 4,295,692 A \* 10/1981 Jenkins ..... A47L 15/4246  
 134/200  
 4,359,250 A \* 11/1982 Jenkins ..... A47L 15/4246  
 312/228  
 4,940,298 A \* 7/1990 Jackson ..... A47L 15/4246  
 312/228  
 5,230,553 A \* 7/1993 Tuller ..... A47L 15/4246  
 312/228  
 D344,819 S \* 3/1994 Schober ..... D32/3  
 5,299,586 A \* 4/1994 Jordan ..... A47L 15/4225  
 134/111  
 5,924,433 A \* 7/1999 Thies ..... A47L 15/4246  
 134/179  
 6,045,203 A \* 4/2000 Marks ..... A47L 15/4246  
 312/228  
 6,045,205 A \* 4/2000 Dingler ..... A47L 15/4272  
 134/201  
 D776,372 S \* 1/2017 Haft ..... D32/3  
 2004/0200507 A1 \* 10/2004 Williams ..... A47L 15/4246  
 134/25.2  
 2004/0201334 A1 \* 10/2004 Williams ..... A47L 15/4272  
 312/228  
 2009/0007944 A1 \* 1/2009 Haeberle ..... A47L 15/4246  
 134/201

\* cited by examiner

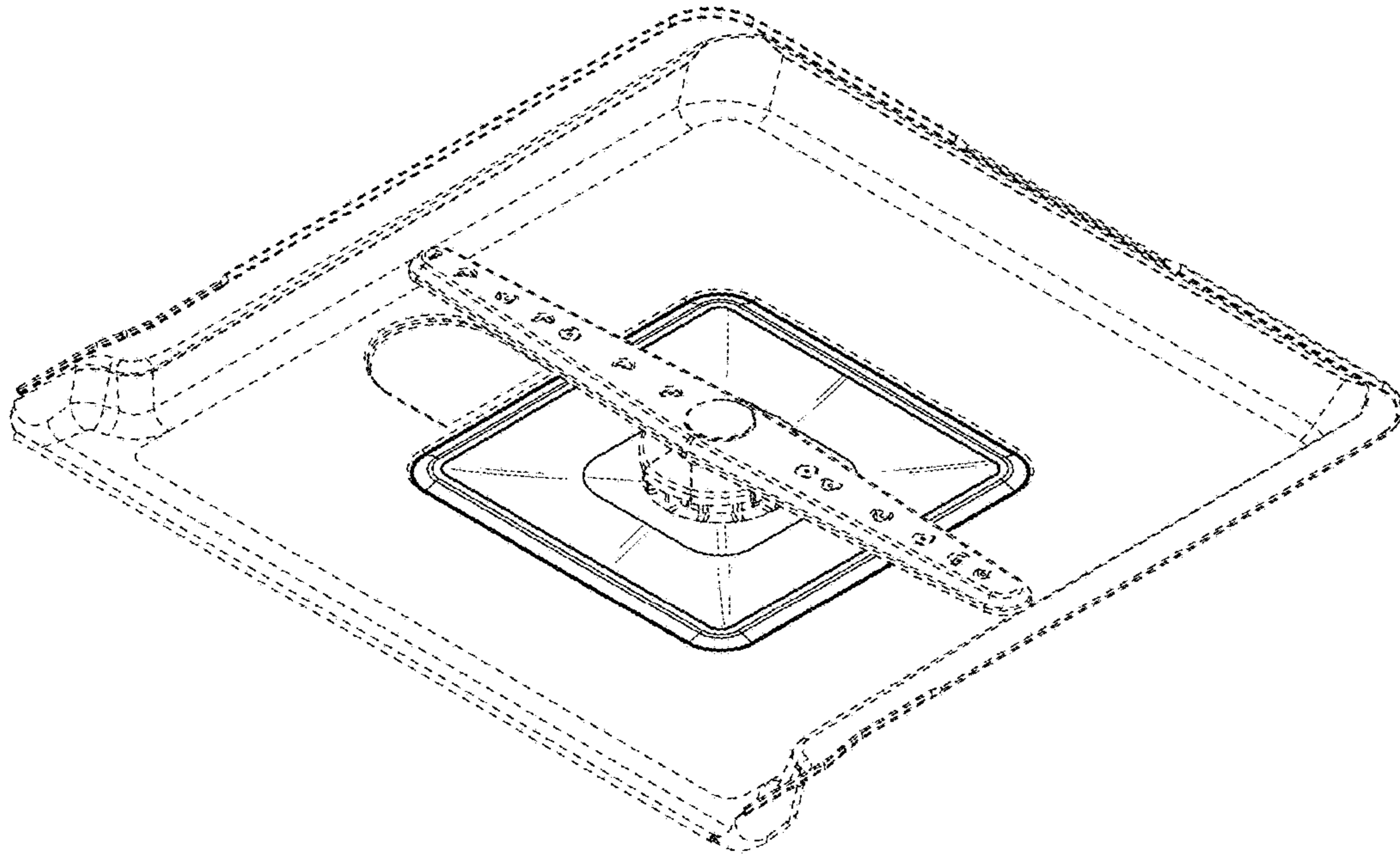


FIG. 1

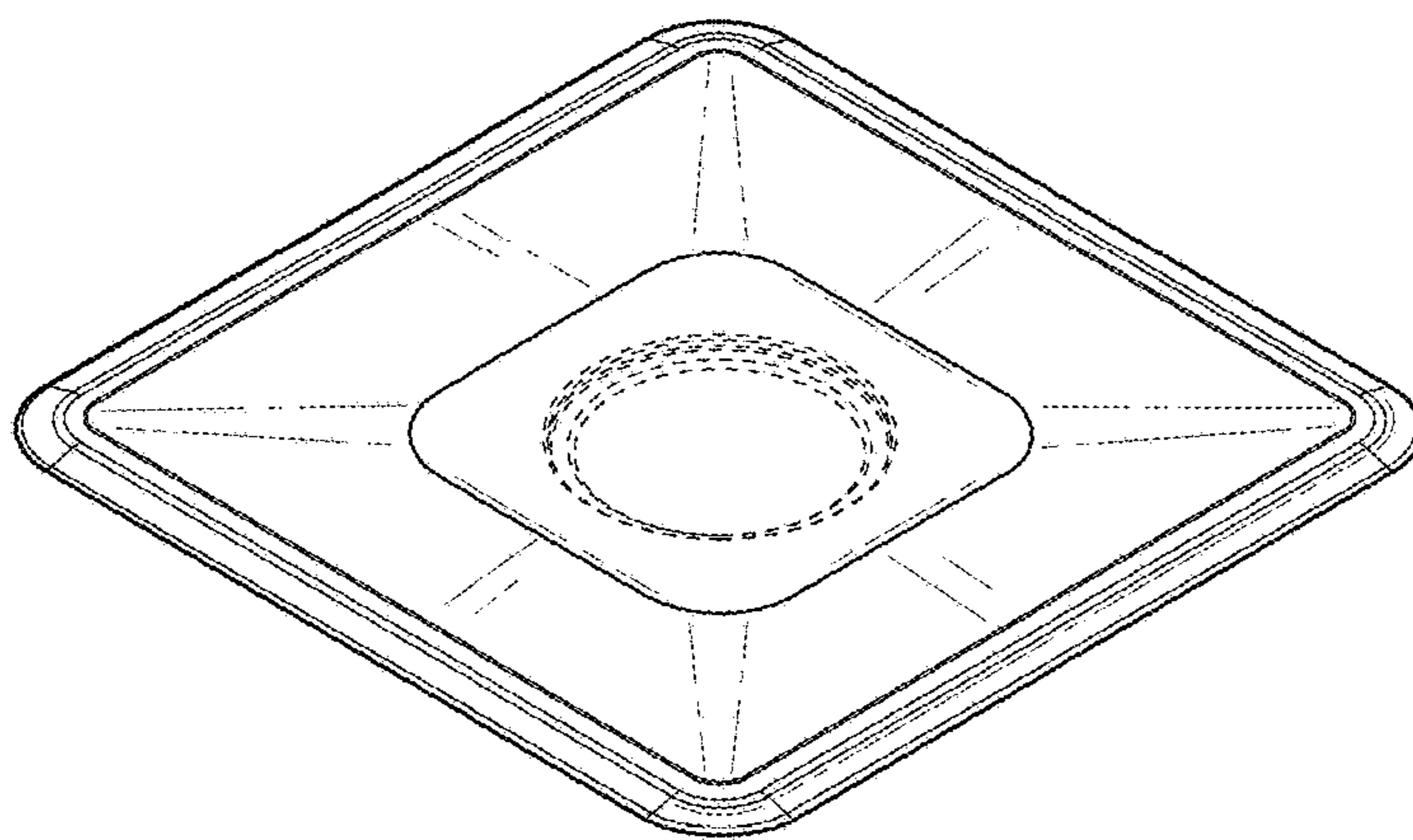


FIG. 2

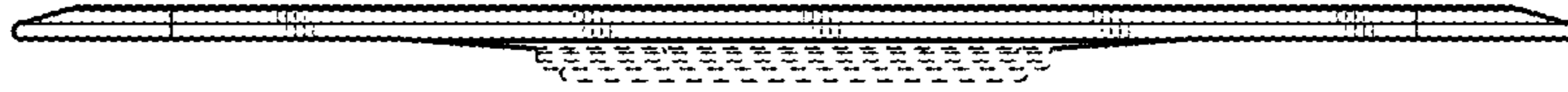


FIG. 3

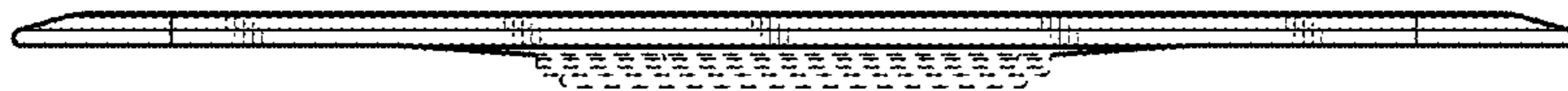


FIG. 4

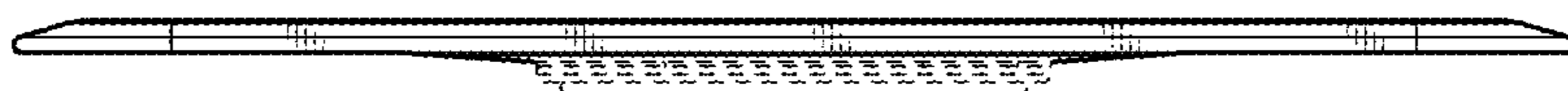


FIG. 5

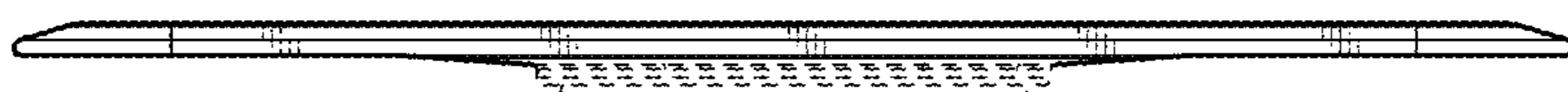


FIG. 6

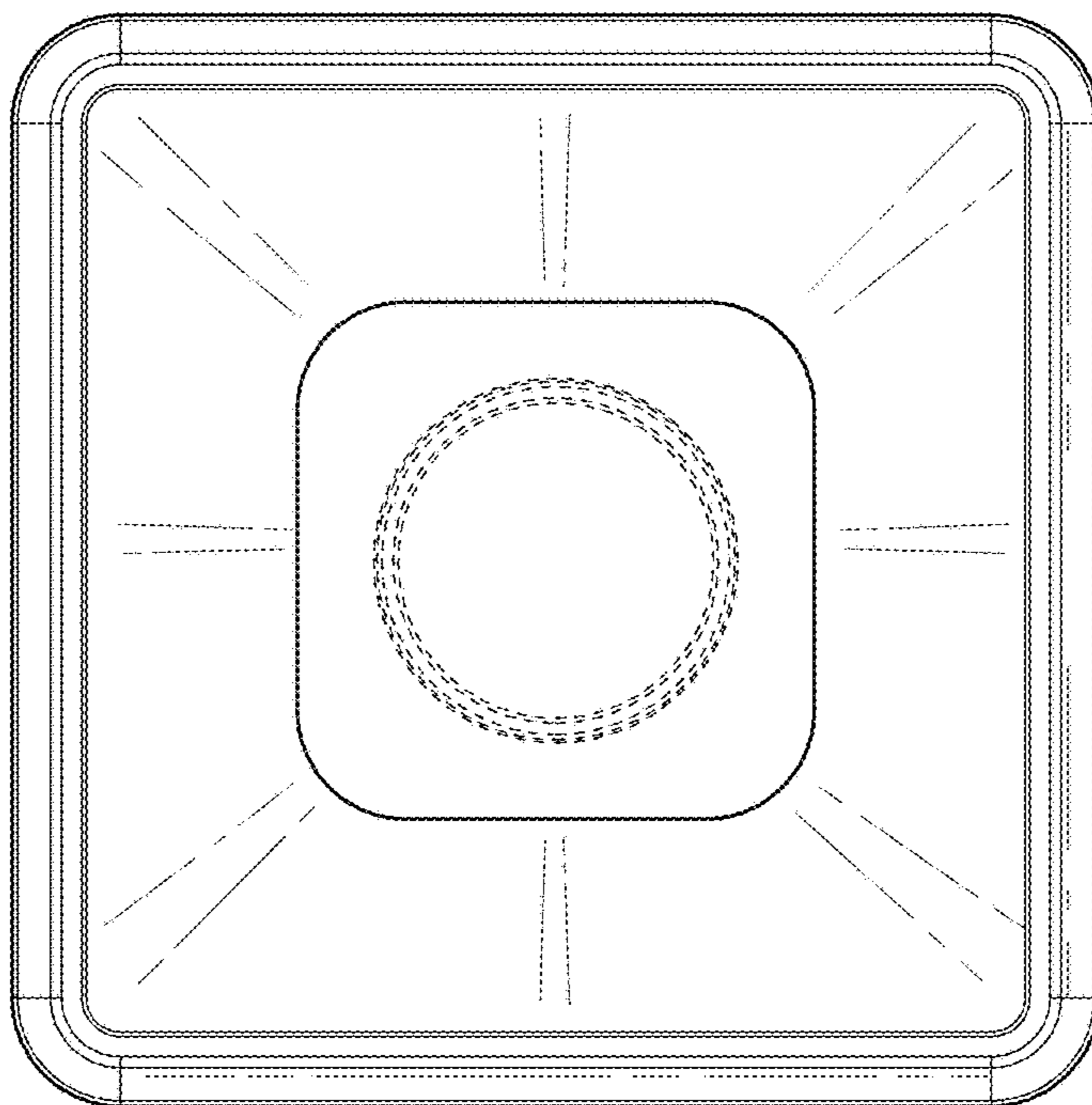


FIG. 7

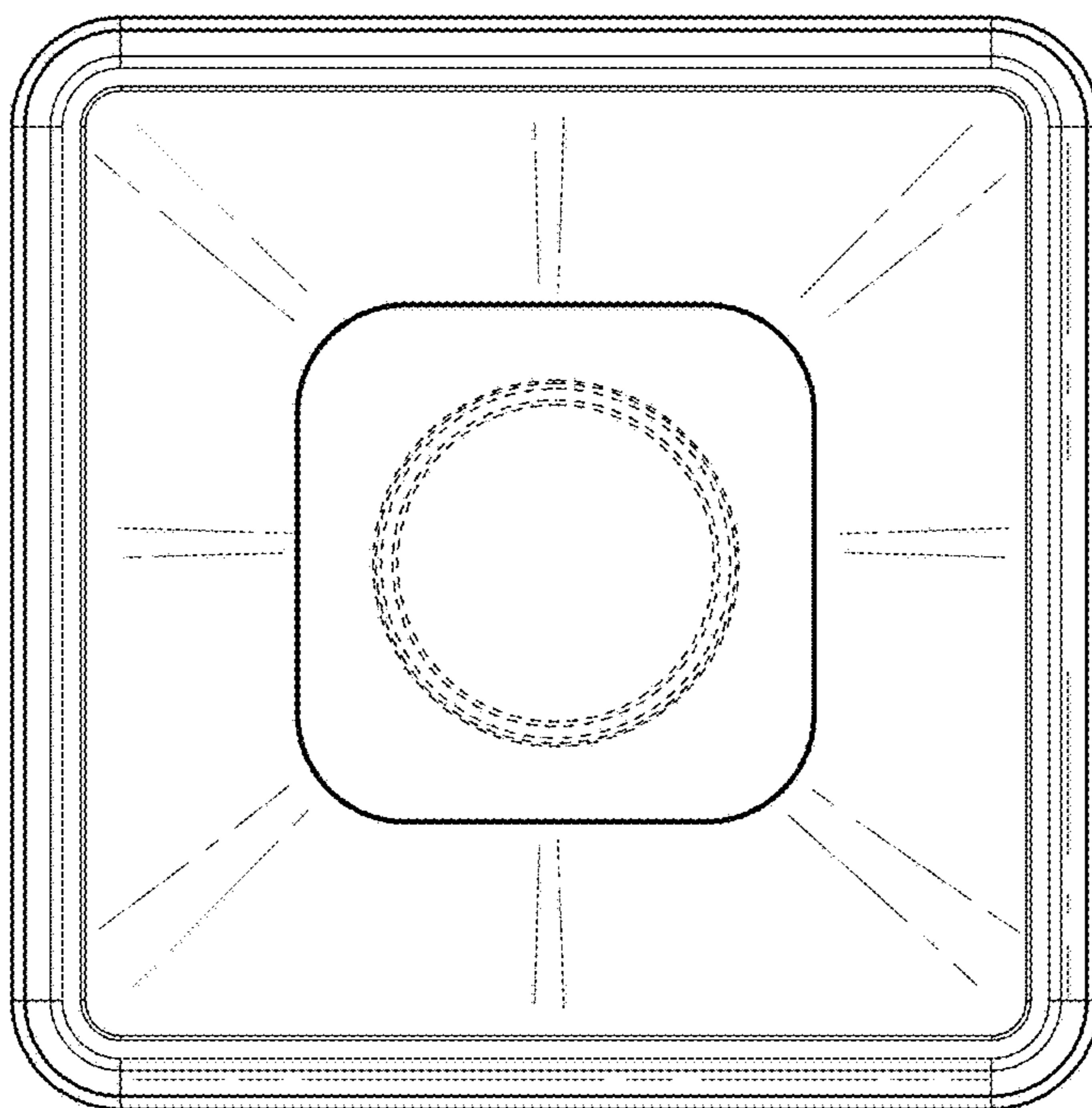


FIG. 8

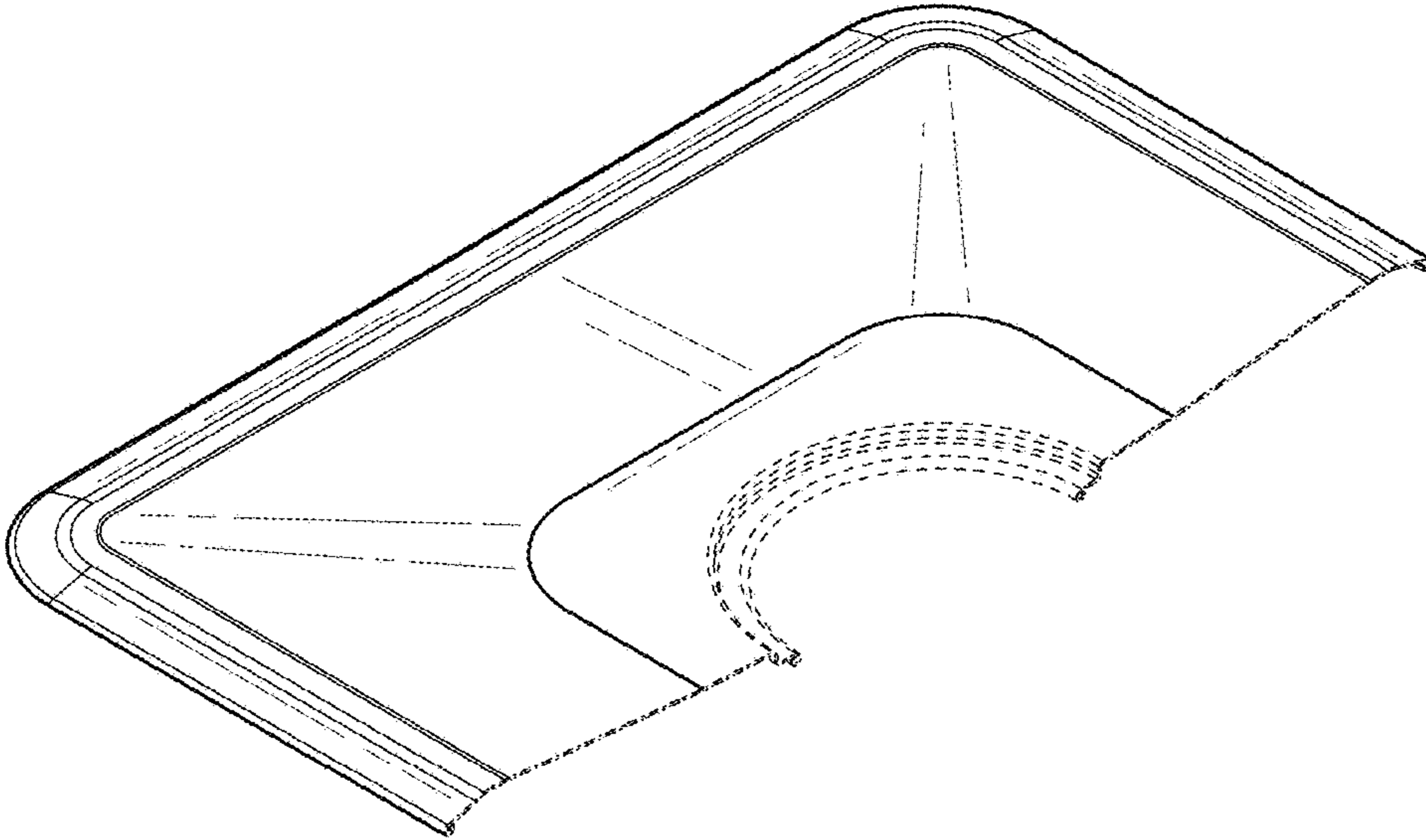


FIG. 9