



US00D800397S

(12) **United States Design Patent**
Harripersad

(10) **Patent No.:** **US D800,397 S**

(45) **Date of Patent:** **** Oct. 17, 2017**

(54) **ENCLOSURE**

(71) Applicant: **Dalchand Harripersad**, Bronx, NY
(US)

(72) Inventor: **Dalchand Harripersad**, Bronx, NY
(US)

(**) Term: **15 Years**

(21) Appl. No.: **29/555,654**

(22) Filed: **Feb. 24, 2016**

(51) **LOC (10) Cl.** **30-07**

(52) **U.S. Cl.**
USPC **D30/133; D30/121**

(58) **Field of Classification Search**
USPC D30/121, 122, 129-133, 108, 110, 111,
D30/113, 115, 117, 118, 120, 112;
119/61.5, 51.01, 61.56, 51.03, 59, 62, 63,
119/51.5, 57.8, 74, 61.54, 61.55, 53, 53.5,
119/75, 56.2, 51.02, 51.11, 51.12, 57.1,
119/52.1, 515, 429, 457, 484, 489, 496,
119/519, 161, 163, 165, 416-419, 427,
119/428, 433-435, 452, 454, 470, 476,
119/482, 498, 58, 60, 61.1, 61.3, 52.4,
119/499, 501, 600-606, 657, 671-675,
119/678; 312/204; 248/151, 188;
108/156, 153.1-157; 220/23.87, 630,
220/737, 743, 9.4, 495.01, 574, 212, 255,
220/23.83; 206/515; D7/586, 543,
D7/550.1, 587, 505, 584, 545, 500,
D7/553.1-553.8, 546, 555, 556, 504, 565,
D7/562, 602, 605, 312, 313, 320, 307,
D7/306, 309, 354, 311, 399, 397, 323,
D7/332, 331, 347, 346, 322, 318, 317,
D7/316, 619.1; D9/429; 43/109;
D22/122; 99/430, DIG. 15, 280, 285,
99/312; 222/209, 131, 363, 349, 517,
222/153.13, 401, 1, 146.5, 23, 54, 64, 51,
222/156, 399, 400.8; 219/438, 439, 441,
219/385, 386, 402, 407; 210/94, 184,
210/474, 477; D25/16, 18, 19, 31, 7,

D25/13-15, 17, 33; D19/61; D21/506,
D21/507, 835-838; 52/80.1, 81.1-81.4,
52/82, 232; 264/34, 31, 32; 135/94, 87,
135/124, 115, 117, 100; 4/524, 526;
392/416; D24/203, 202, 201
CPC A01K 5/02; A01K 5/0225; A01K 5/0114;
A01K 5/025; A01K 5/0266; A01K
5/0275; A01K 5/0283; A01K 5/0291;
A01K 5/0258; A01K 7/00; A01K 1/0035;
A01K 1/0107; A01K 1/0114; A01K
1/0236; A01K 1/0245; A01K 1/0272;
A01K 1/03; A01K 1/033; A01K 1/034;
A01K 1/035; A01K 1/0353; A01K
1/0125; A01K 1/02; A01K 1/0023; A01K
5/0142; A01K 5/01; A01K 5/00; A01K
39/0113; A01K 13/00; A01K 13/001;
A01K 13/003; G01F 11/24; G01F 23/02;
B67D 1/0425; B67D 1/04; B67D 1/00;
B67D 1/02; B67D 1/0871; B67D 1/0802;

(Continued)

(56)

References Cited

U.S. PATENT DOCUMENTS

D7,180 S * 2/1874 De Nottbeck D30/108
D23,168 S * 4/1894 Barney D30/108
(Continued)

Primary Examiner — Susan Moon Lee

(57)

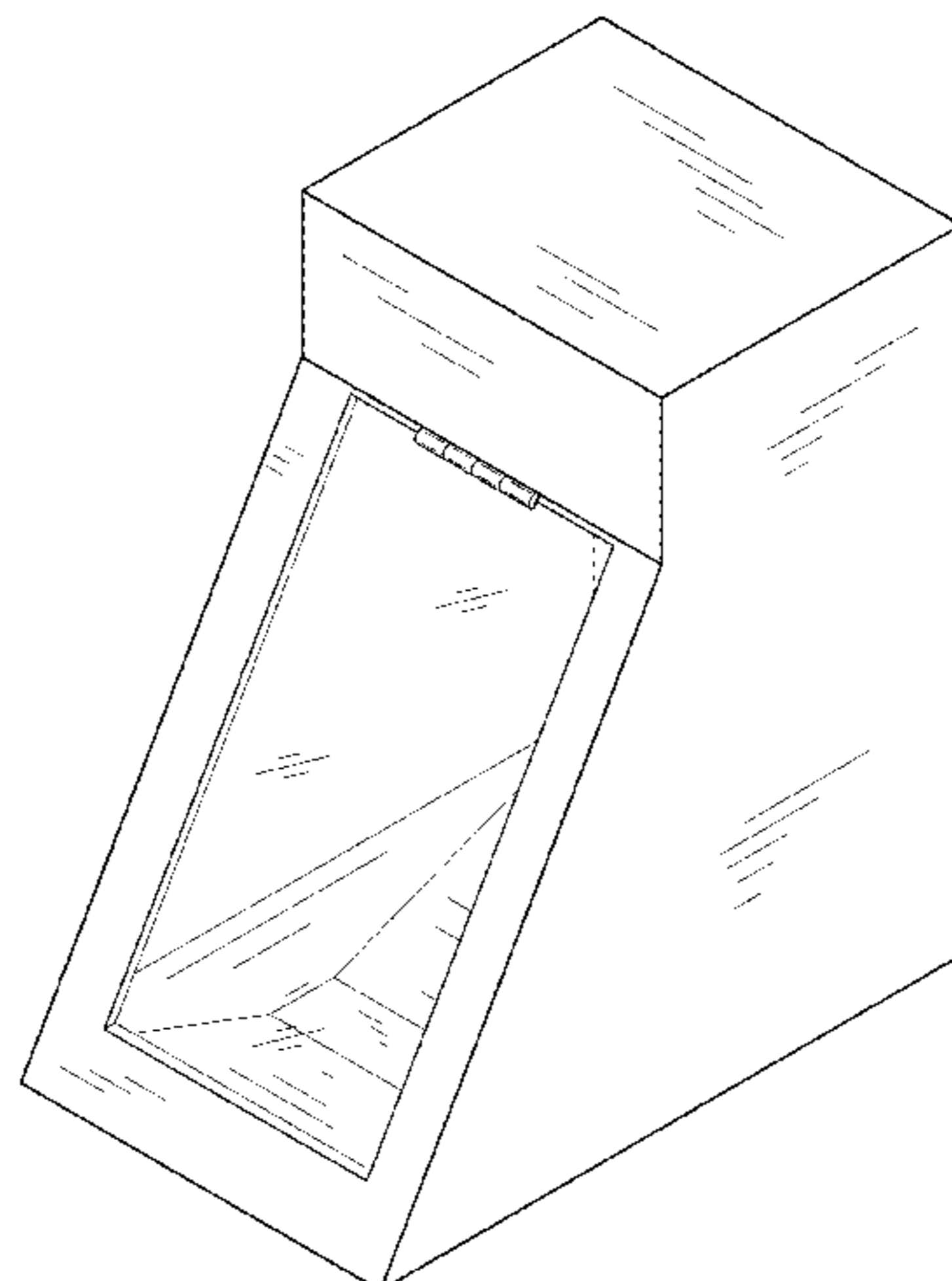
CLAIM

I claim the ornamental design for an enclosure, as shown and described.

DESCRIPTION

FIG. 1 is a front view of the enclosure.
FIG. 2 is a rear view of the claimed design.
FIG. 3 is a side view of the claimed design.
FIG. 4 is a top view of the claimed design.
FIG. 5 is a bottom view of the claimed design; and,
FIG. 6 is a perspective view of the claimed design.

1 Claim, 6 Drawing Sheets



US D800,397 S

(58) **Field of Classification Search**
 CPC .. A47J 41/0033; A47J 41/005; A47J 41/0088;
 A47J 41/0094; A47J 31/04; A47J 31/053;
 B05B 11/00; B05B 11/0002; B05B
 11/0005; B05B 11/001; C02F 1/003;
 C02F 1/283; C02F 2307/02; A61H
 33/066
 See application file for complete search history.

(56) **References Cited**

U.S. PATENT DOCUMENTS

D26,228 S * 10/1896 Gilmore D30/108
 1,212,937 A * 1/1917 Good A01K 5/0241
 119/53.5
 1,714,635 A * 5/1929 Schafer A61D 7/00
 119/678
 D105,074 S * 6/1937 Petersime D23/270
 2,546,588 A * 3/1951 Ellis E04H 15/001
 135/116
 2,589,427 A * 3/1952 Ossmann A01K 5/015
 119/62
 2,791,984 A * 5/1957 Franklin A01K 5/0291
 119/51.12
 2,836,150 A * 5/1958 Robinson A01K 5/0225
 119/53
 D189,951 S * 3/1961 Cospers 4/524
 3,027,189 A * 3/1962 Scott E04H 15/001
 135/116
 D196,358 S * 9/1963 Wales, Jr. D30/108
 3,156,213 A * 11/1964 Patten A01K 1/0236
 119/497
 D203,788 S * 2/1966 Plantholt D24/203
 D206,475 S * 12/1966 Gorton D24/203
 D207,141 S * 3/1967 Cospers D24/203
 D210,008 S * 1/1968 Thompson D25/16
 D210,923 S * 4/1968 Ragone D24/203
 D214,886 S * 8/1969 Katona D25/16
 3,509,891 A * 5/1970 De Bolt A01K 97/01
 135/148
 D220,594 S * 4/1971 Kent D24/203
 3,596,636 A * 8/1971 Stobaugh F26B 9/006
 119/174
 D223,478 S * 4/1972 Cospers et al. D24/203
 D226,991 S * 5/1973 Tegner D24/185
 3,772,713 A * 11/1973 Roullier A61H 33/06
 4/524
 3,799,608 A * 3/1974 Smutny E04H 1/1205
 135/115
 3,850,145 A * 11/1974 Yoder A01K 11/006
 119/51.02
 D237,381 S * 10/1975 Jenson D25/16
 3,924,365 A * 12/1975 Orberg B60P 3/38
 135/116
 4,007,711 A * 2/1977 Michael
 4,011,836 A * 3/1977 Temel A01K 1/011
 119/163
 4,029,051 A * 6/1977 McKinney A01K 5/0114
 119/52.4
 4,031,573 A * 6/1977 Romanoff A61H 33/06
 392/368
 4,105,036 A * 8/1978 McGrath A61H 33/06
 607/83
 4,184,454 A * 1/1980 Nagao A01K 13/001
 119/678
 4,196,697 A * 4/1980 Poiesz A01K 5/0275
 119/51.02
 D255,491 S * 6/1980 Brancaccio D24/203
 D255,946 S * 7/1980 Galbreath D30/108
 4,292,929 A * 10/1981 Tellers A01K 1/035
 119/518
 4,334,501 A * 6/1982 McDaniel A01K 1/033
 119/475
 4,389,976 A * 6/1983 Novak A01K 5/025
 119/62

D270,860 S * 10/1983 Turner D15/30
 D271,523 S * 11/1983 Richburg D23/277
 4,425,672 A * 1/1984 Johnson A47K 3/006
 4/528
 D274,760 S * 7/1984 Henderson D30/108
 D275,994 S * 10/1984 Harrington D25/1
 4,522,152 A * 6/1985 Meyer A01K 5/0275
 119/56.1
 4,559,903 A * 12/1985 Bloom A01K 13/001
 119/416
 4,572,108 A * 2/1986 Daifotes A01K 1/0005
 119/51.01
 4,574,738 A * 3/1986 Tominaga A01K 1/0356
 119/464
 4,576,118 A * 3/1986 Meadows
 4,798,173 A * 1/1989 Wilgren A01K 5/0114
 119/61.52
 4,840,217 A * 6/1989 Evans, III E06B 7/32
 160/180
 4,860,691 A * 8/1989 Mayer A01K 7/027
 119/51.5
 4,862,526 A * 9/1989 Berger A61H 33/06
 4/525
 4,872,470 A * 10/1989 Hayashida E04H 9/16
 135/121
 D306,760 S * 3/1990 Anderson D25/16
 5,054,431 A * 10/1991 Coviello A01K 5/0114
 119/51.01
 5,094,188 A * 3/1992 Wolak A01K 1/0125
 119/168
 D328,727 S * 8/1992 Wallhead D12/11
 5,140,948 A * 8/1992 Roberts A01K 1/0047
 119/165
 5,148,768 A * 9/1992 Hinton A01K 1/033
 119/482
 5,148,774 A * 9/1992 Fields A01K 1/0107
 119/165
 5,171,059 A * 12/1992 Patrick A47C 7/66
 135/901
 5,178,100 A * 1/1993 Monk A01K 1/0125
 119/168
 5,188,060 A * 2/1993 Johnson A01K 5/01
 119/51.03
 D334,837 S * 4/1993 Bradley D12/402
 5,335,624 A * 8/1994 Baxter A01K 5/01
 119/51.5
 D353,678 S * 12/1994 Diaz D25/16
 5,392,940 A * 2/1995 Pierce A01K 1/0107
 220/4.33
 5,404,838 A * 4/1995 Khan A01K 5/0114
 119/51.5
 5,416,931 A * 5/1995 Wolfenden A61H 33/06
 4/524
 D360,490 S * 7/1995 Bulla D30/108
 5,431,129 A * 7/1995 Clark A01K 31/06
 119/459
 5,435,266 A * 7/1995 Carson A01K 31/06
 119/464
 5,469,659 A * 11/1995 Reid E05B 47/0038
 160/180
 5,492,083 A * 2/1996 Holladay A01K 5/0114
 119/52.1
 5,522,347 A * 6/1996 Merino A01K 1/0107
 119/165
 5,546,894 A * 8/1996 St-Pierre
 D378,540 S * 3/1997 Becker D25/16
 5,669,328 A * 9/1997 Lanfranchi A01K 5/02
 119/51.12
 5,676,090 A * 10/1997 Cannady, Jr. A01K 1/0107
 119/165
 D386,504 S * 11/1997 Dieck D15/124
 D388,177 S * 12/1997 Murray D25/16
 5,790,992 A * 8/1998 Ray A47K 3/325
 4/599
 D402,373 S * 12/1998 James D25/16
 D402,498 S * 12/1998 Howard D23/209

(56)

References Cited

U.S. PATENT DOCUMENTS

5,852,987	A *	12/1998	Lamp, Jr.	A01K 5/0142 119/52.4	2005/0139162	A1 *	6/2005	Polimeni	A01K 7/02 119/51.5
D404,500	S *	1/1999	Thomas	D25/16	2005/0189009	A1 *	9/2005	Walter	E04H 15/32 135/97
5,890,507	A *	4/1999	Hinsperger	A45B 11/00 135/137	2006/0081027	A1 *	4/2006	Rhodes	C05F 3/06 71/11
5,954,011	A	9/1999	Martinez		2006/0144339	A1 *	7/2006	Walker	A01K 5/0291 119/51.5
6,148,450	A *	11/2000	Nicholas	A61H 33/06 4/524	2006/0249088	A1 *	11/2006	Eu	A01K 1/033 119/51.02
6,176,201	B1 *	1/2001	Fields	A01K 1/0107 119/163	2006/0252366	A1 *	11/2006	Eu	A01K 1/0017 455/3.06
6,295,949	B1 *	10/2001	Willis	A01K 1/0114 119/165	2007/0044227	A1 *	3/2007	Reeder	E03C 1/0408 4/596
6,318,294	B1 *	11/2001	Richmond	A01K 1/033 119/482	2007/0051317	A1 *	3/2007	Bruner	A01K 1/0107 119/53
6,408,796	B1 *	6/2002	Hampel	A01K 1/0035 119/482	2007/0163510	A1 *	7/2007	Dietz	A01K 1/03 119/443
6,758,880	B1 *	7/2004	Rhodes	C05F 3/06 435/290.1	2007/0175097	A1 *	8/2007	Thorne	E06B 7/32 49/169
6,766,766	B1 *	7/2004	Elliott	A01K 5/0291 119/51.12	2007/0175400	A1 *	8/2007	Gantt	A01K 1/011 119/165
7,146,929	B2	12/2006	Ritchey		2007/0277303	A1 *	12/2007	Lee	A61H 33/06 4/531
D603,109	S *	10/2009	Kim	D30/158	2009/0229534	A1 *	9/2009	Fredericks	A01K 1/0023 119/484
7,690,159	B1 *	4/2010	Arnold	A01K 1/0035 108/35	2010/0199919	A1 *	8/2010	Mariner	A01K 5/0142 119/416
7,827,935	B1 *	11/2010	Addleman	A01K 1/0209 119/51.02	2012/0017838	A1 *	1/2012	Graves	A01K 5/01 119/61.55
D653,818	S *	2/2012	Schetlin	D30/158	2012/0137980	A1 *	6/2012	Veness	A01K 1/0107 119/165
D654,647	S *	2/2012	Stiles	D34/7	2012/0186526	A1 *	7/2012	Olson	A01K 5/01 119/61.3
8,240,085	B2 *	8/2012	Hill	E06B 7/32 160/180	2012/0233764	A1 *	9/2012	Lee	A61H 33/06 4/524
8,360,005	B1	1/2013	Allen		2014/0132044	A1 *	5/2014	Louie	B60N 3/103 297/188.2
D689,579	S *	9/2013	Barker	D21/834	2014/0345041	A1 *	11/2014	Barghelame	A61H 33/066 4/526
8,578,882	B2 *	11/2013	Araujo	A01K 5/02 119/51.01	2015/0335526	A1 *	11/2015	Lee	A61H 33/06 4/524
D722,704	S *	2/2015	Denny	D25/16	2016/0007562	A1 *	1/2016	Johnson	A01K 5/01 119/60
D726,858	S *	4/2015	McInerney	D21/838	2016/0010324	A1 *	1/2016	Thrall	E04B 1/34384 52/745.02
9,226,477	B2 *	1/2016	Davis	A01K 5/0114	2016/0029590	A1 *	2/2016	Martin	A01K 5/0114 221/1
D751,612	S *	3/2016	Kojima	D15/122	2016/0081875	A1 *	3/2016	Oh	A61H 33/067 4/524
D775,446	S *	12/2016	Derouin	D34/1	2017/0097169	A1 *	4/2017	Azevedo	F24F 11/0034
D788,318	S *	5/2017	Jennings	D25/16	2017/0112091	A1 *	4/2017	Toussaint	A01K 5/0142
9,675,047	B2 *	6/2017	Carter	A01K 13/001					
2003/0061995	A1 *	4/2003	Skeeles	A01K 1/0023 119/51.01					
2004/0154093	A1 *	8/2004	Akhtar	A61H 33/06 4/526					
2004/0226597	A1 *	11/2004	McCampbell	E04H 15/003 135/117					
2005/0115512	A1 *	6/2005	Fritsch	A01K 1/0209 119/454					

* cited by examiner

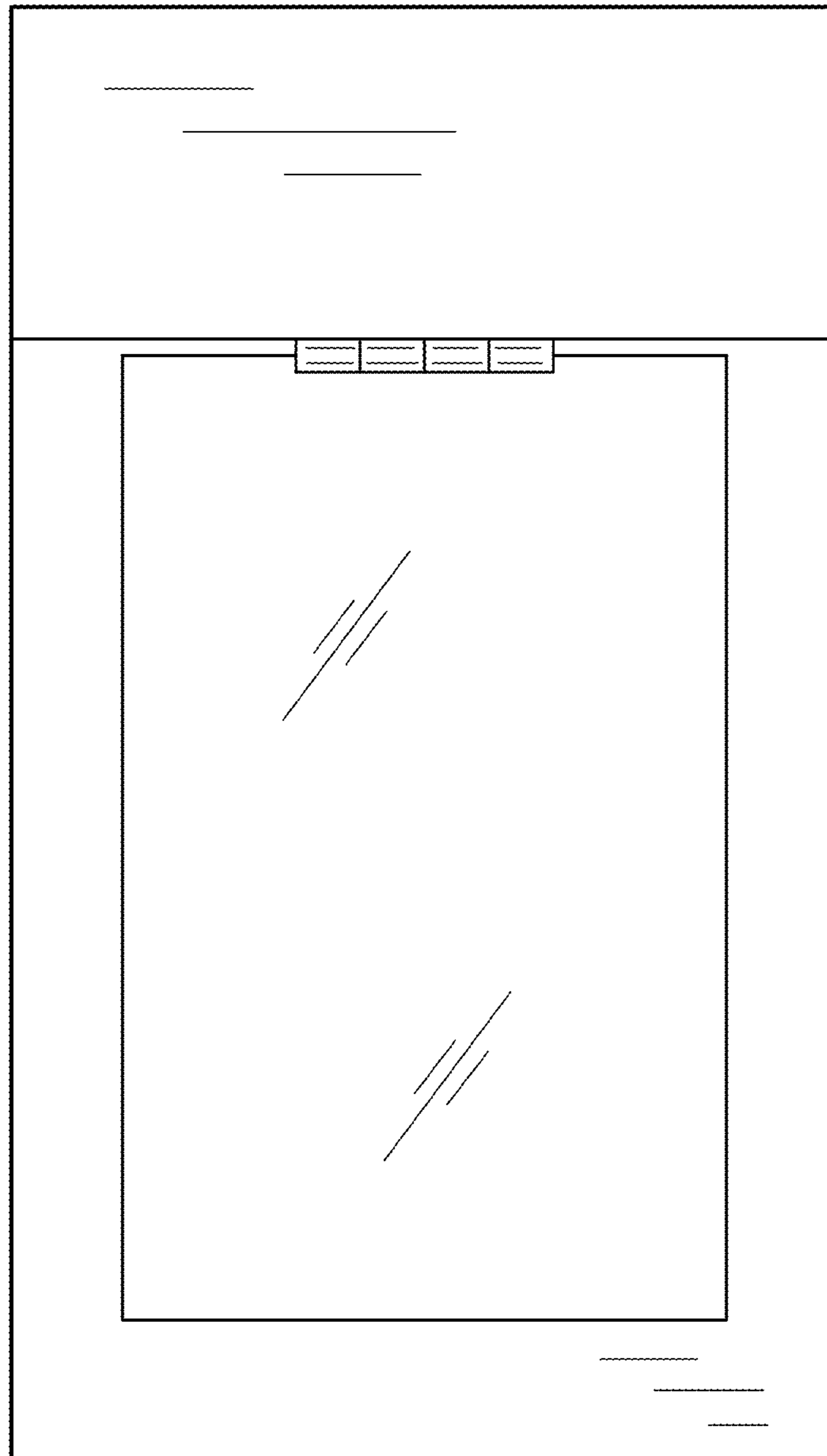


FIG. 1

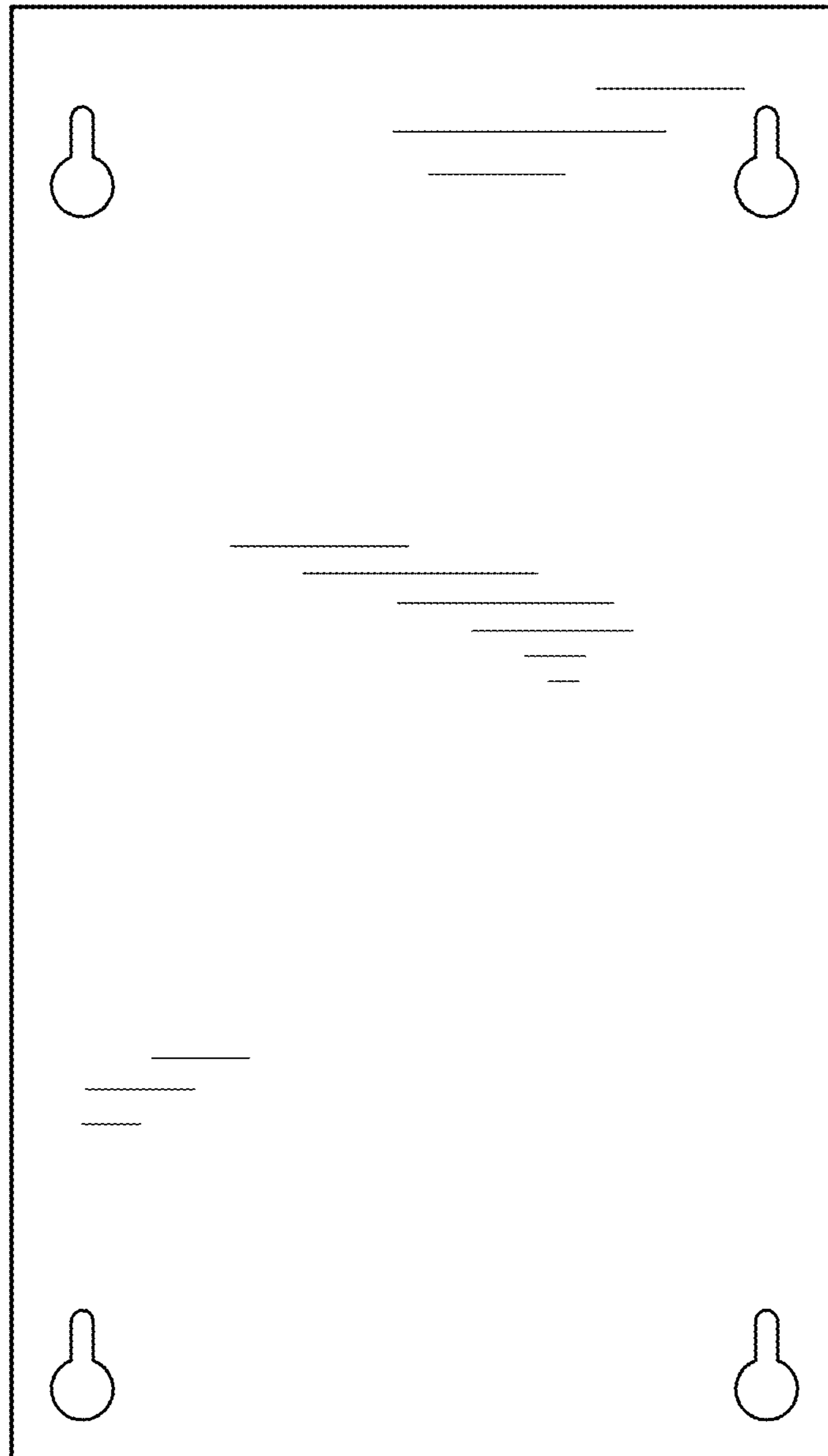


FIG. 2

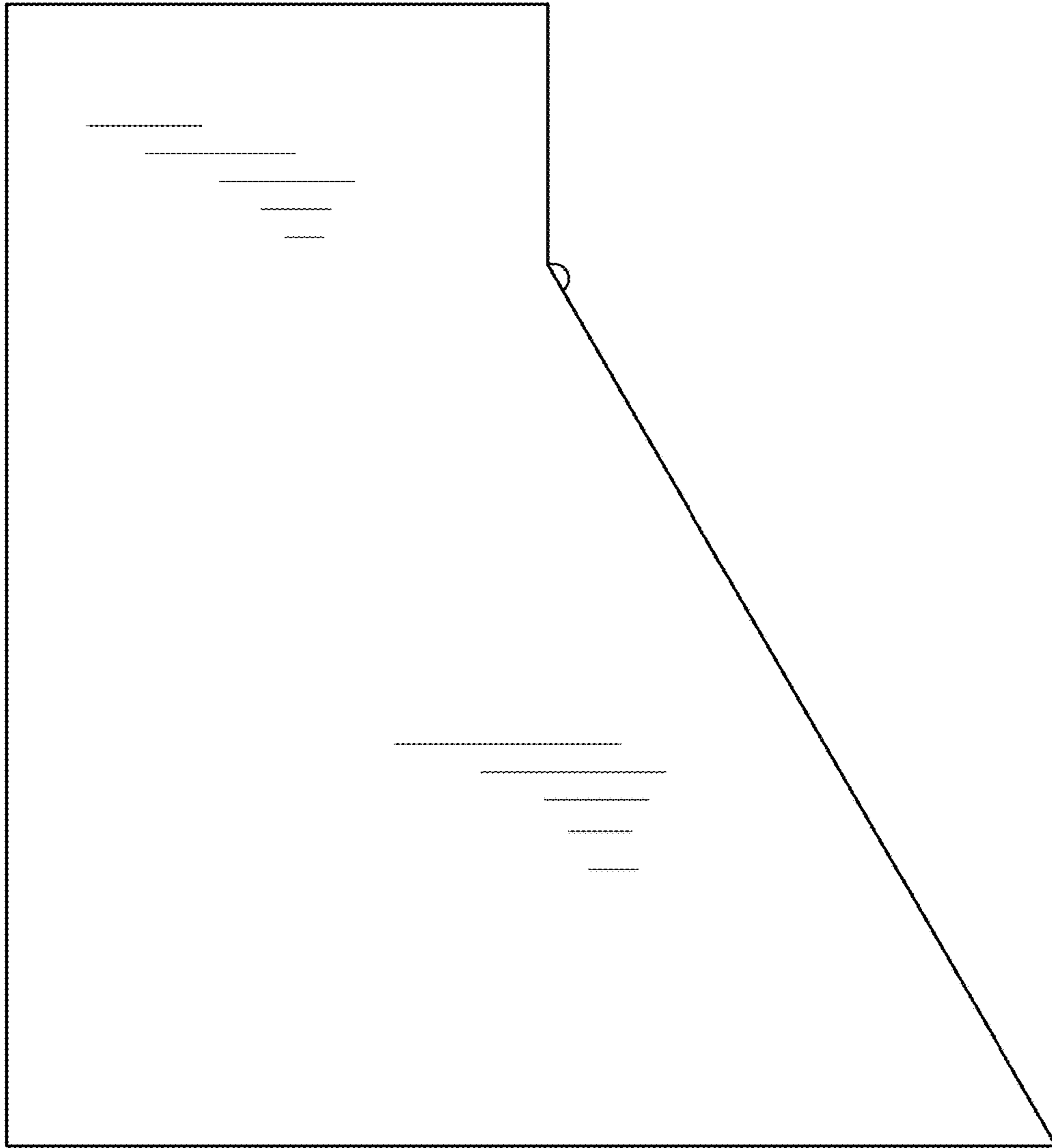


FIG. 3

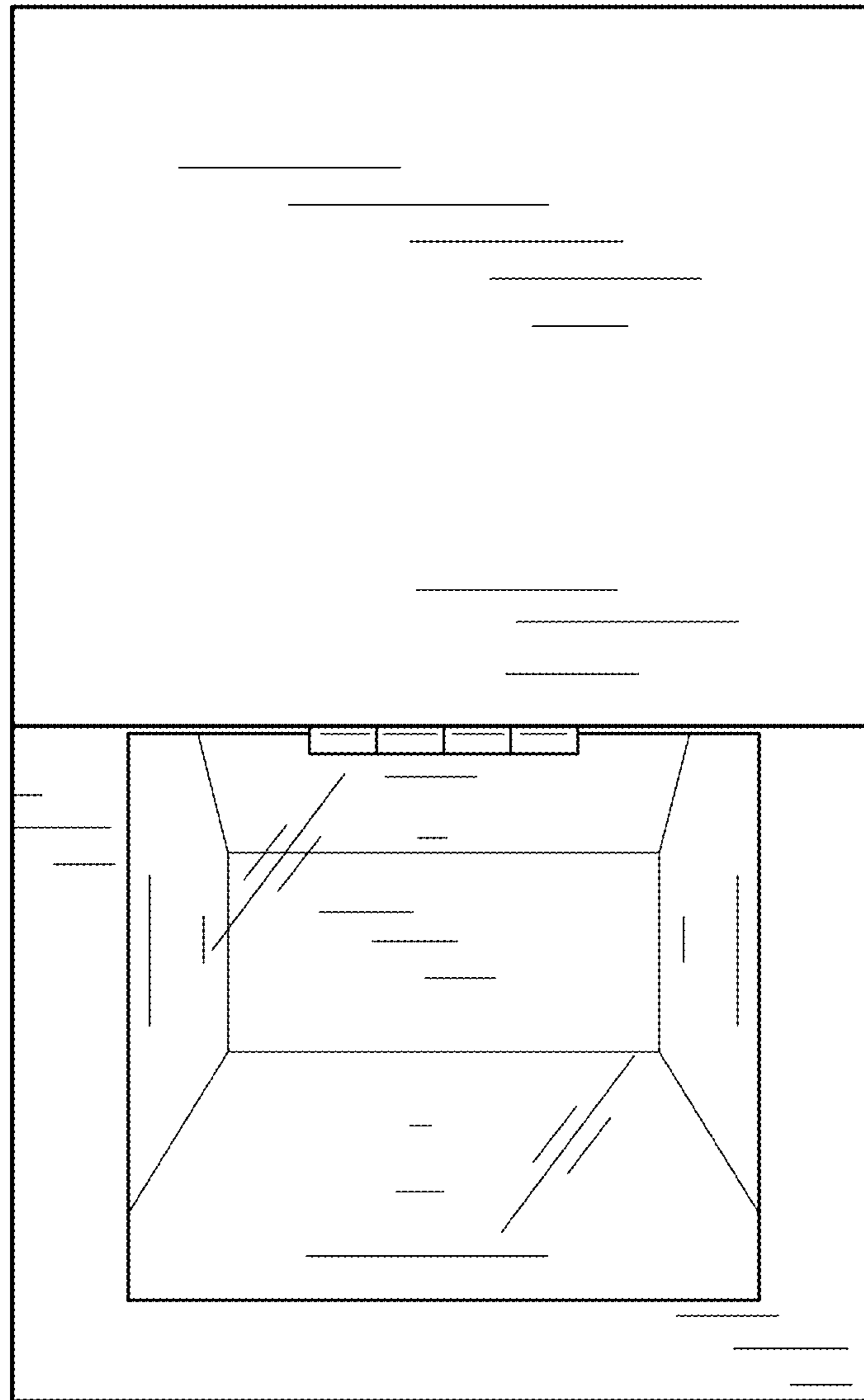


FIG. 4

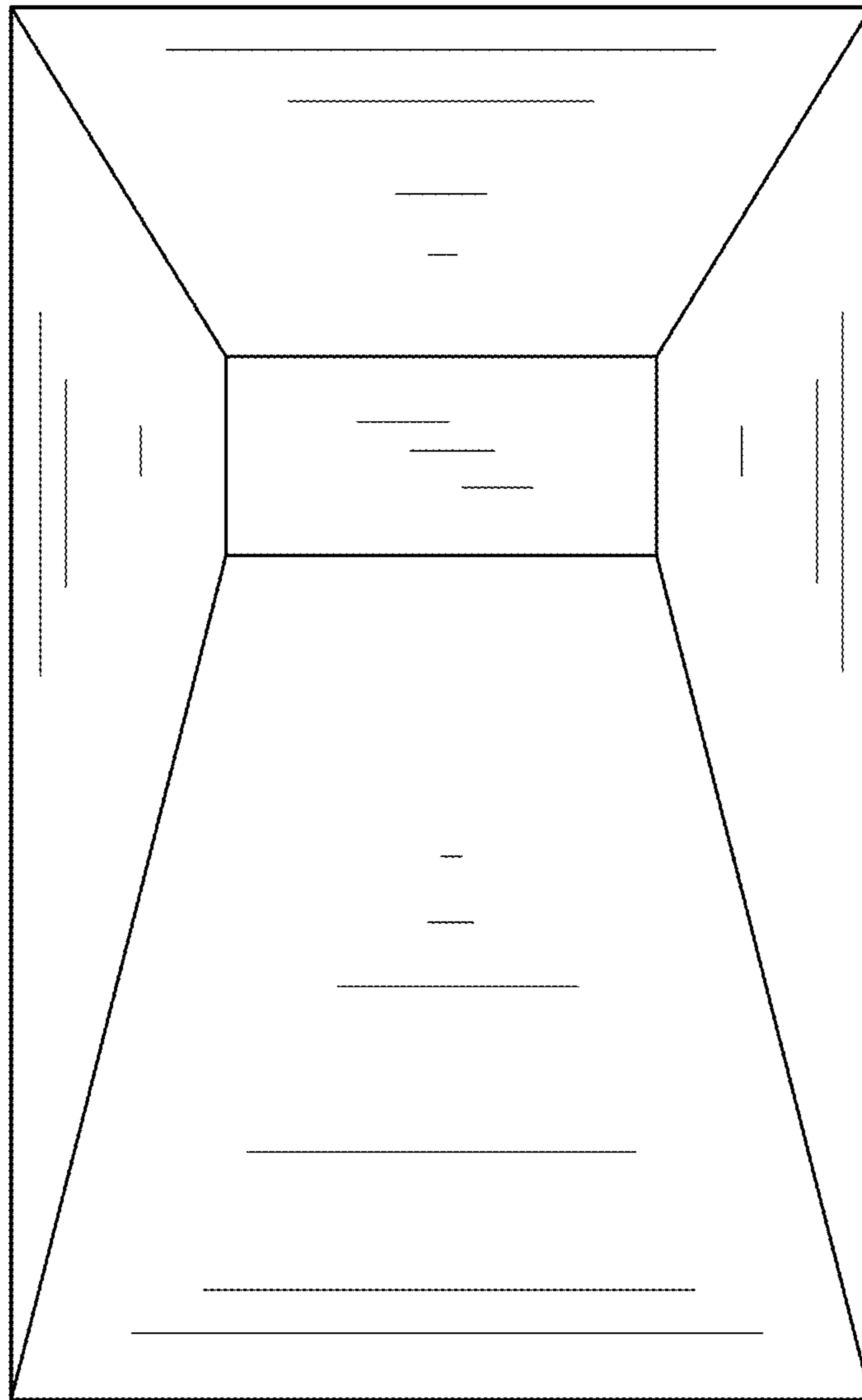


FIG. 5

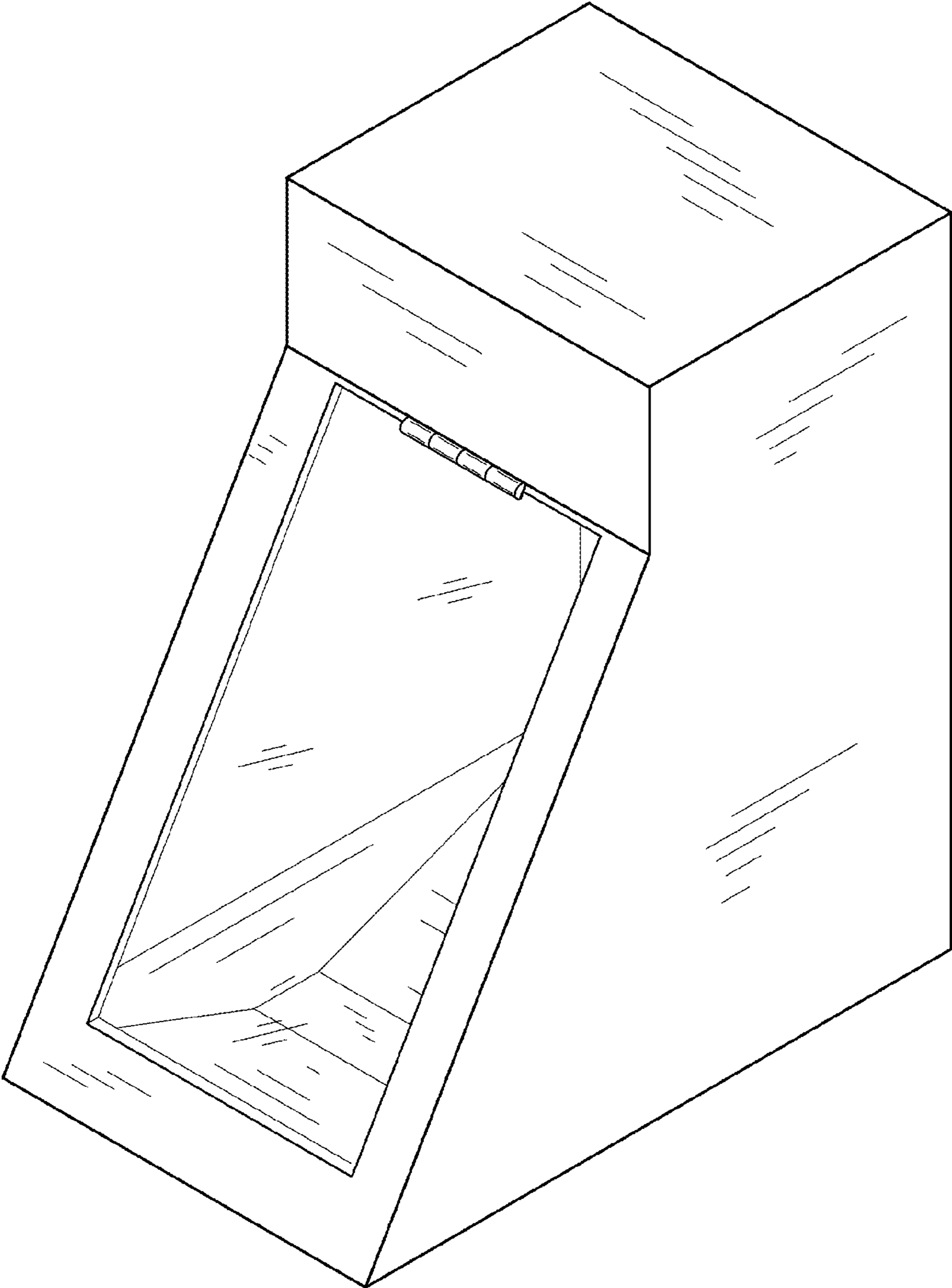


FIG. 6