



US00D800396S

(12) **United States Design Patent**
Coviello

(10) **Patent No.:** **US D800,396 S**

(45) **Date of Patent:** **** Oct. 17, 2017**

(54) **ADJUSTABLE HEIGHT PET FEEDER**

(71) Applicant: **Andrew G. Coviello**, Greenwich, CT
(US)

(72) Inventor: **Andrew G. Coviello**, Greenwich, CT
(US)

(**) Term: **15 Years**

(21) Appl. No.: **29/505,418**

(22) Filed: **Oct. 23, 2015**

(51) **LOC (10) Cl.** **30-03**

(52) **U.S. Cl.**

USPC **D30/133; D30/129; D30/121**

(58) **Field of Classification Search**

USPC **D30/121, 129-133; 119/52.1, 55,**
119/61.5-61.56; D6/480-485; 248/188;
312/204; 108/153.1-157

CPC **A01K 5/00; A01K 5/01; A01K 5/0107;**
A01K 5/0114; A01K 5/0121; A01K
5/0128; A01K 5/0135; A01K 7/005;
A01K 7/00; A01K 1/10; A01K 1/0356;
A01K 1/0135; A01K 39/014; A01K 29/00

See application file for complete search history.

(56) **References Cited**

U.S. PATENT DOCUMENTS

989,744	A *	4/1911	Wilmot	B66F 3/00
					254/133 A
1,594,290	A *	7/1926	Woessner	A01K 7/00
					119/61.4
2,887,988	A *	5/1959	Cottongim	A01K 45/002
					119/51.5
2,997,022	A *	8/1961	Kay	A01K 1/0353
					119/478
3,224,595	A *	12/1965	Sherley	B62B 1/264
					211/83
3,471,968	A *	10/1969	Letz	A01G 9/122
					248/125.3

3,661,121	A *	5/1972	Zielin	A01K 5/0114
					119/61.57
3,844,535	A *	10/1974	Dorough, Jr.	B66F 3/16
					254/103
4,205,629	A *	6/1980	Wix	A01K 5/0114
					119/51.5
4,976,223	A *	12/1990	Pierce	A01K 5/0114
					119/61.56
5,000,124	A *	3/1991	Bergen	A01K 5/0114
					119/63
5,054,431	A *	10/1991	Coviello	A01K 5/0114
					119/51.01
D322,512	S *	12/1991	Andrykovitz	D12/420
D323,767	S *	2/1992	Polski	D7/620
5,144,912	A *	9/1992	Hammett	A01K 5/01
					119/51.5
D331,174	S *	11/1992	Polski	D7/621
5,501,176	A *	3/1996	Tully	A01K 5/0114
					119/61.57
5,584,263	A *	12/1996	Sexton	A01K 5/0114
					119/51.5

(Continued)

Primary Examiner — Susan Moon Lee

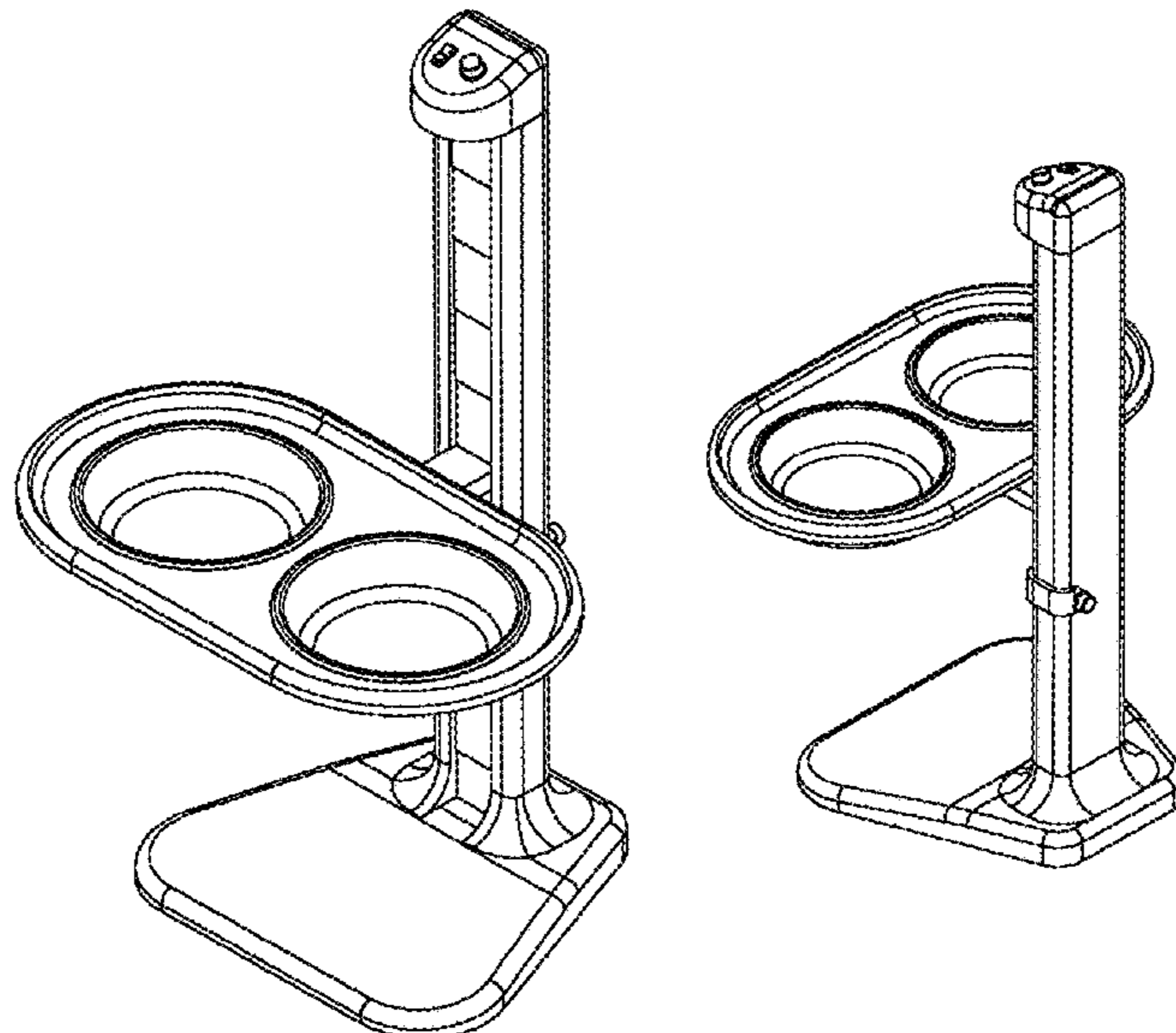
(57) **CLAIM**

The ornamental design for an adjustable height pet feeder, as shown and described.

DESCRIPTION

FIG. 1 is a left perspective view of an adjustable height pet feeder;
FIG. 2 is a right perspective view thereof;
FIG. 3 is a right, rear perspective view thereof;
FIG. 4 is a left, rear perspective view thereof;
FIG. 5 is a top view thereof;
FIG. 6 is a bottom view thereof;
FIG. 7 is a front view thereof;
FIG. 8 is a left side view thereof;
FIG. 9 is a right side view thereof; and,
FIG. 10 is a rear view thereof.

1 Claim, 7 Drawing Sheets



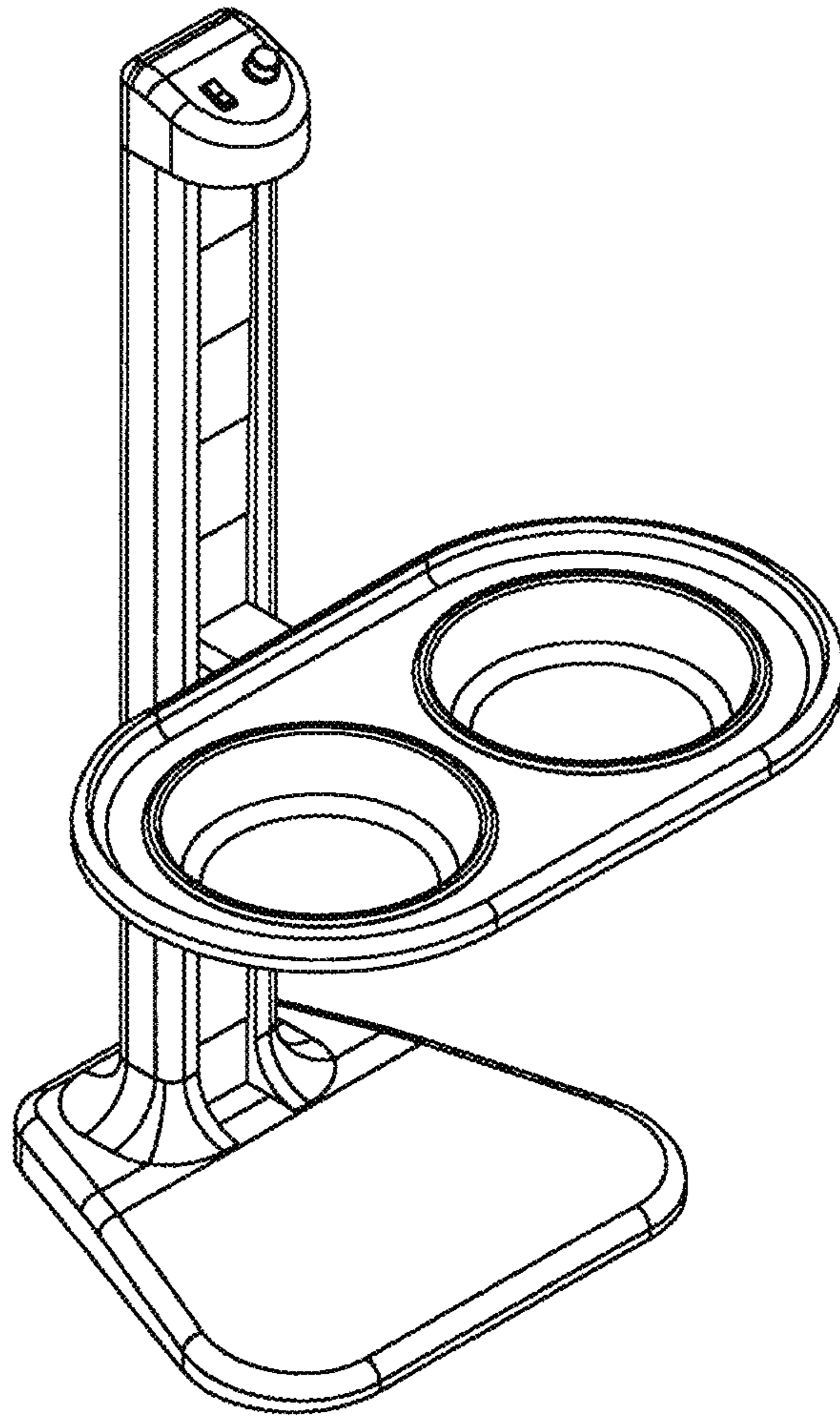


Fig.1

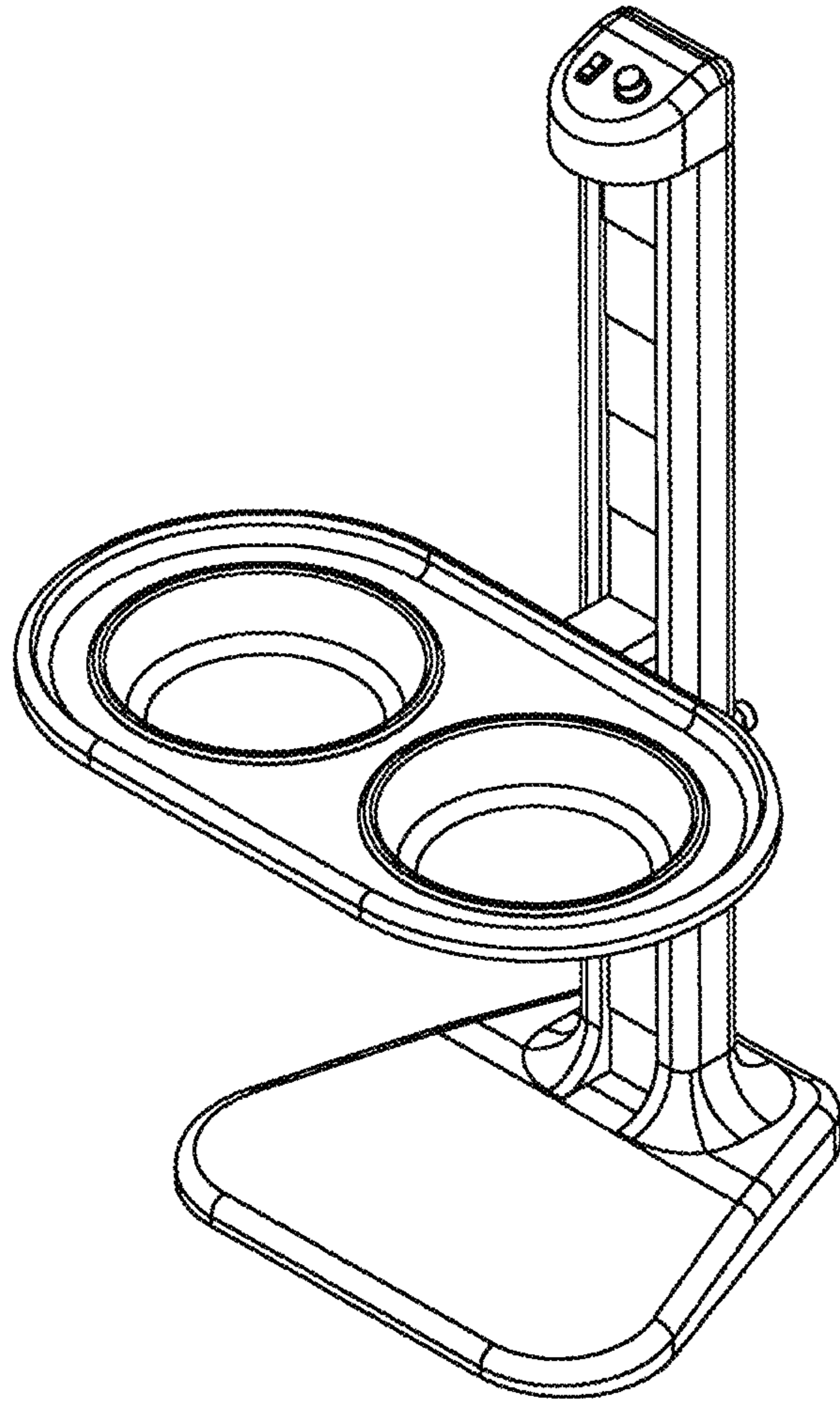


Fig.2

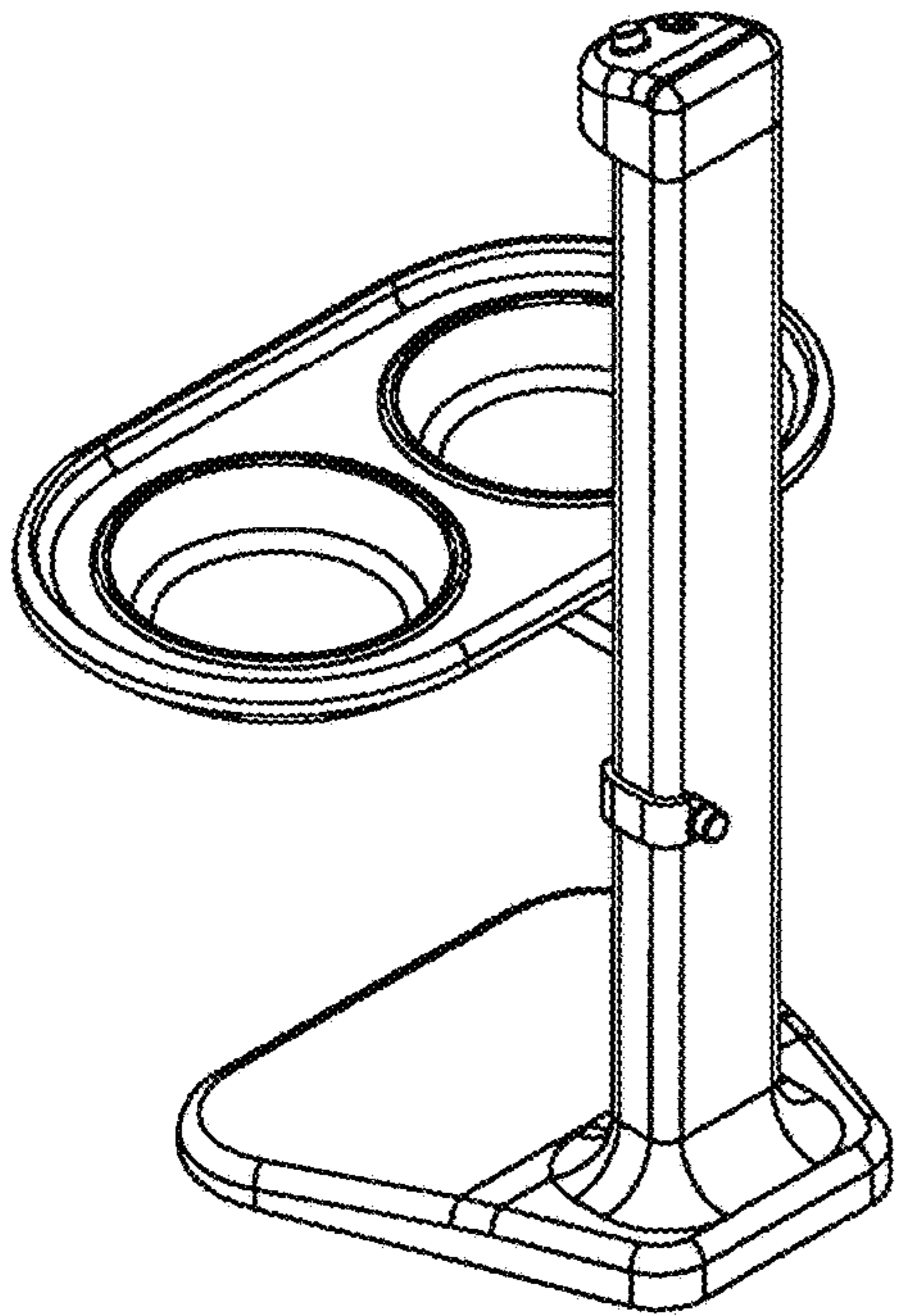


Fig.3

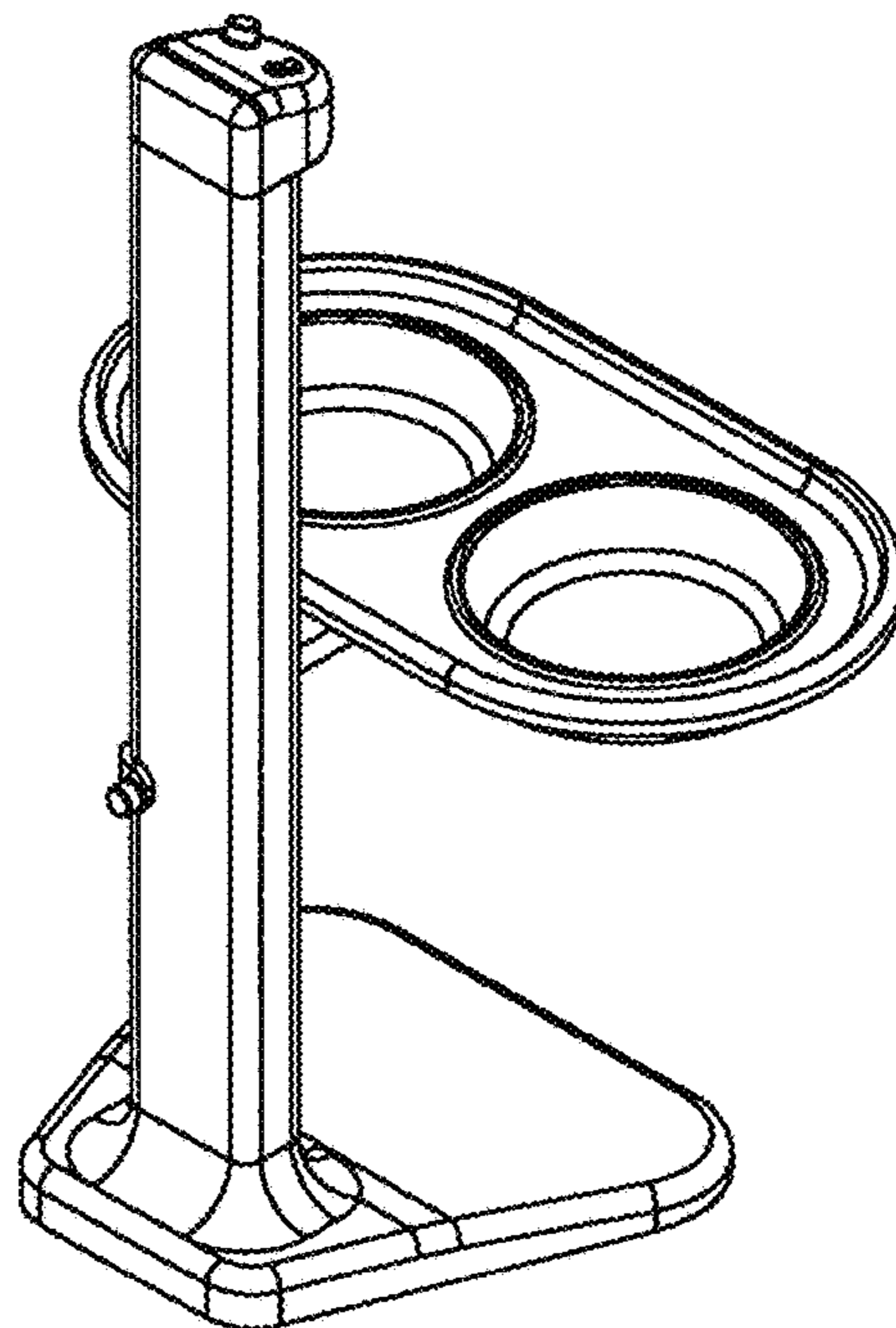


Fig.4

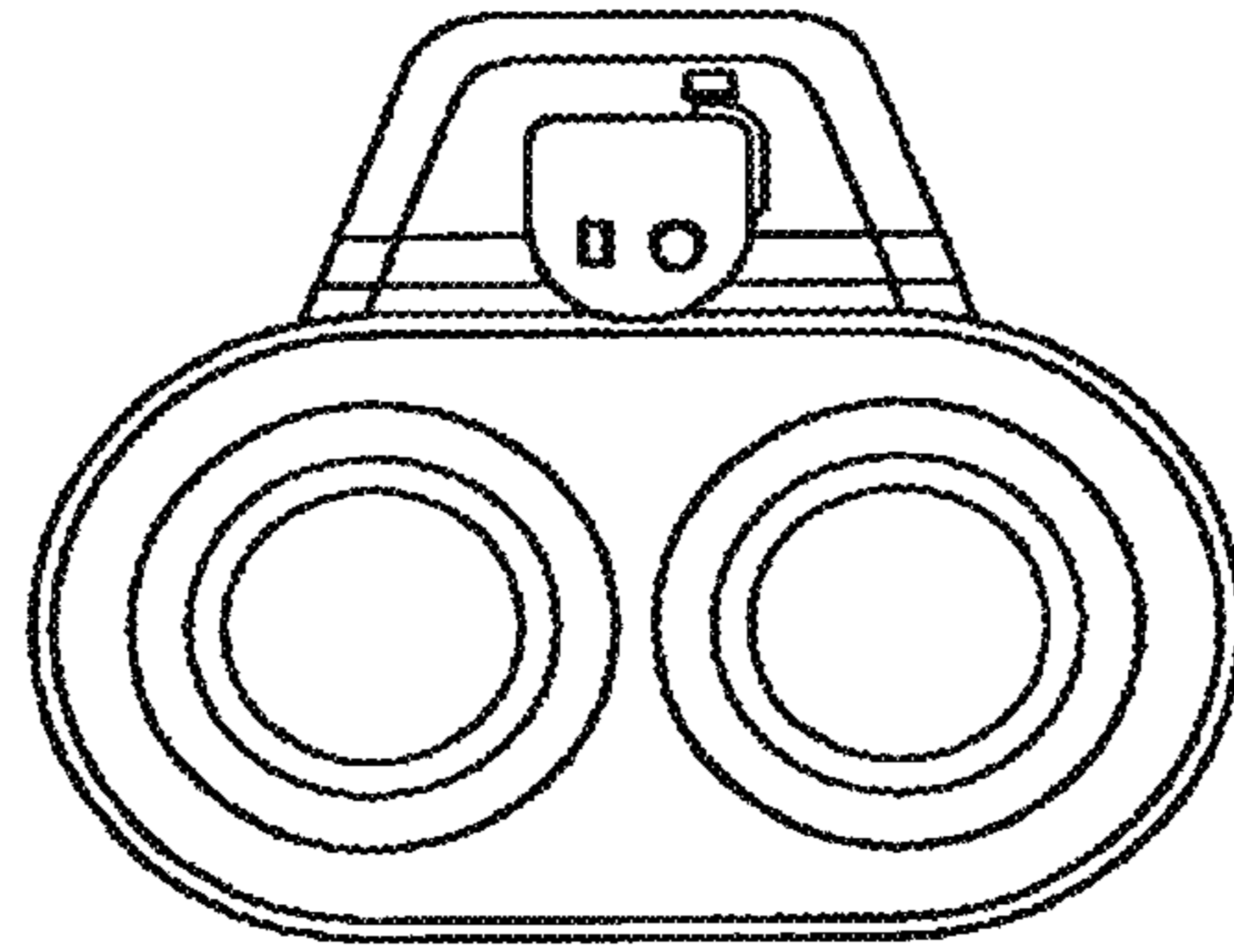


Fig. 5

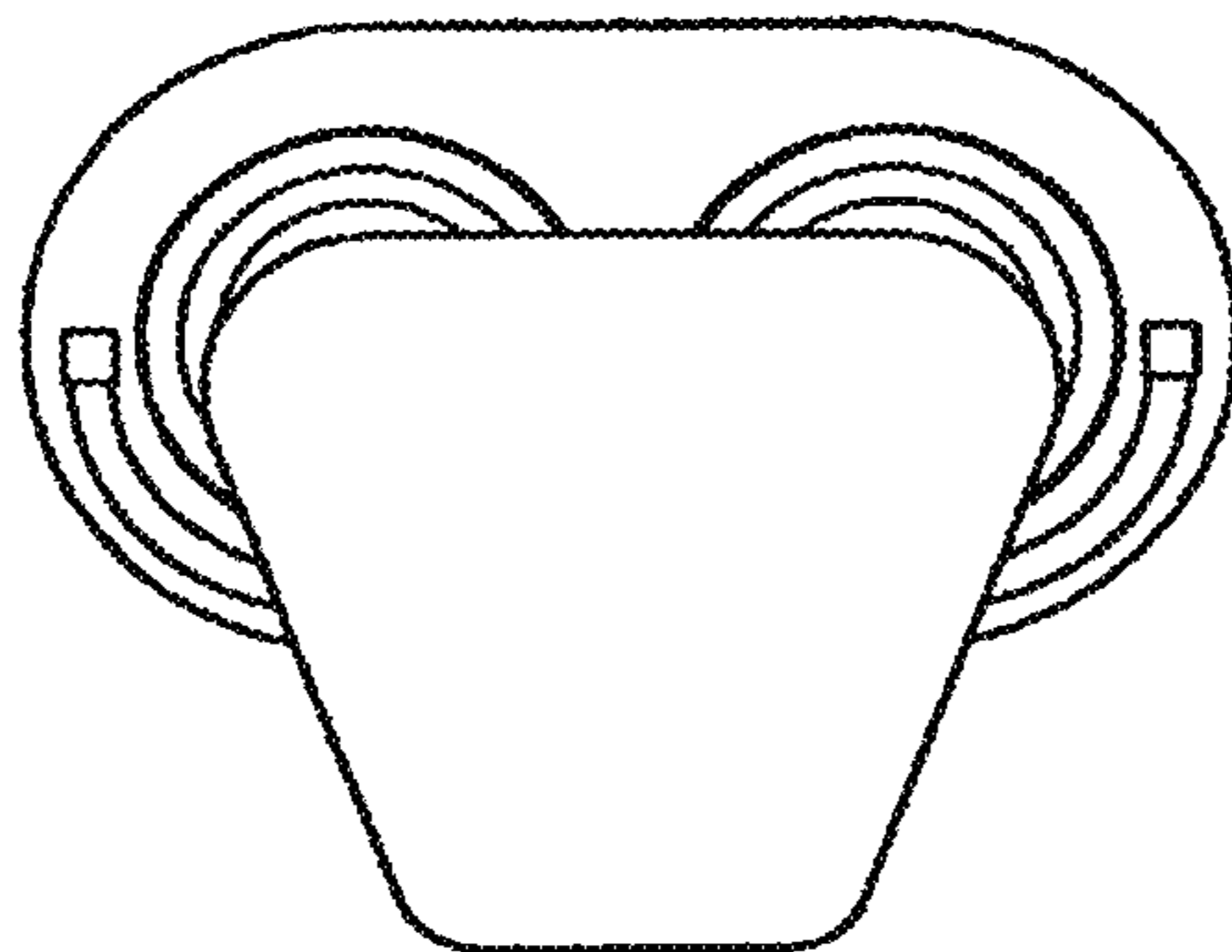


Fig. 6

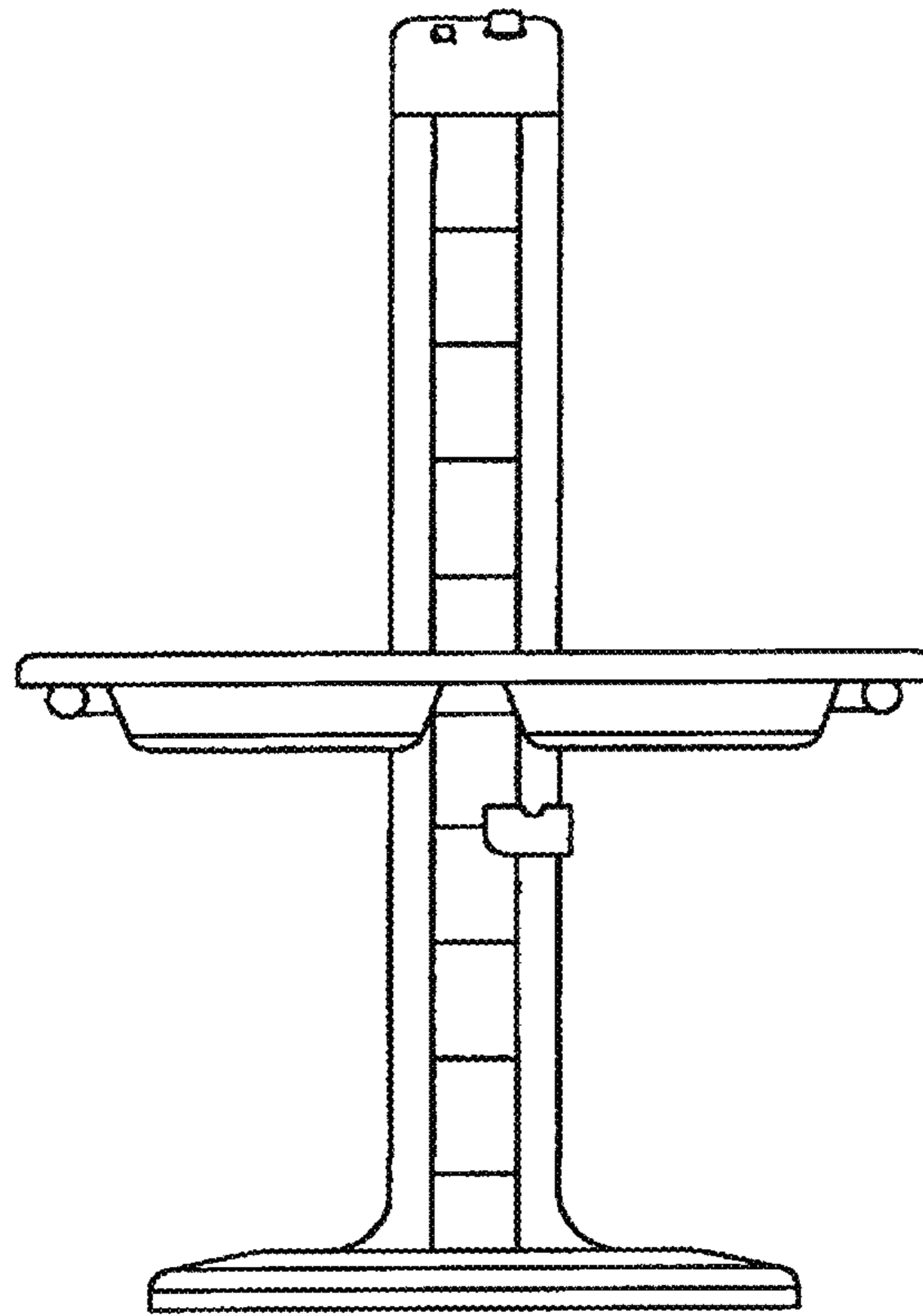


Fig. 7

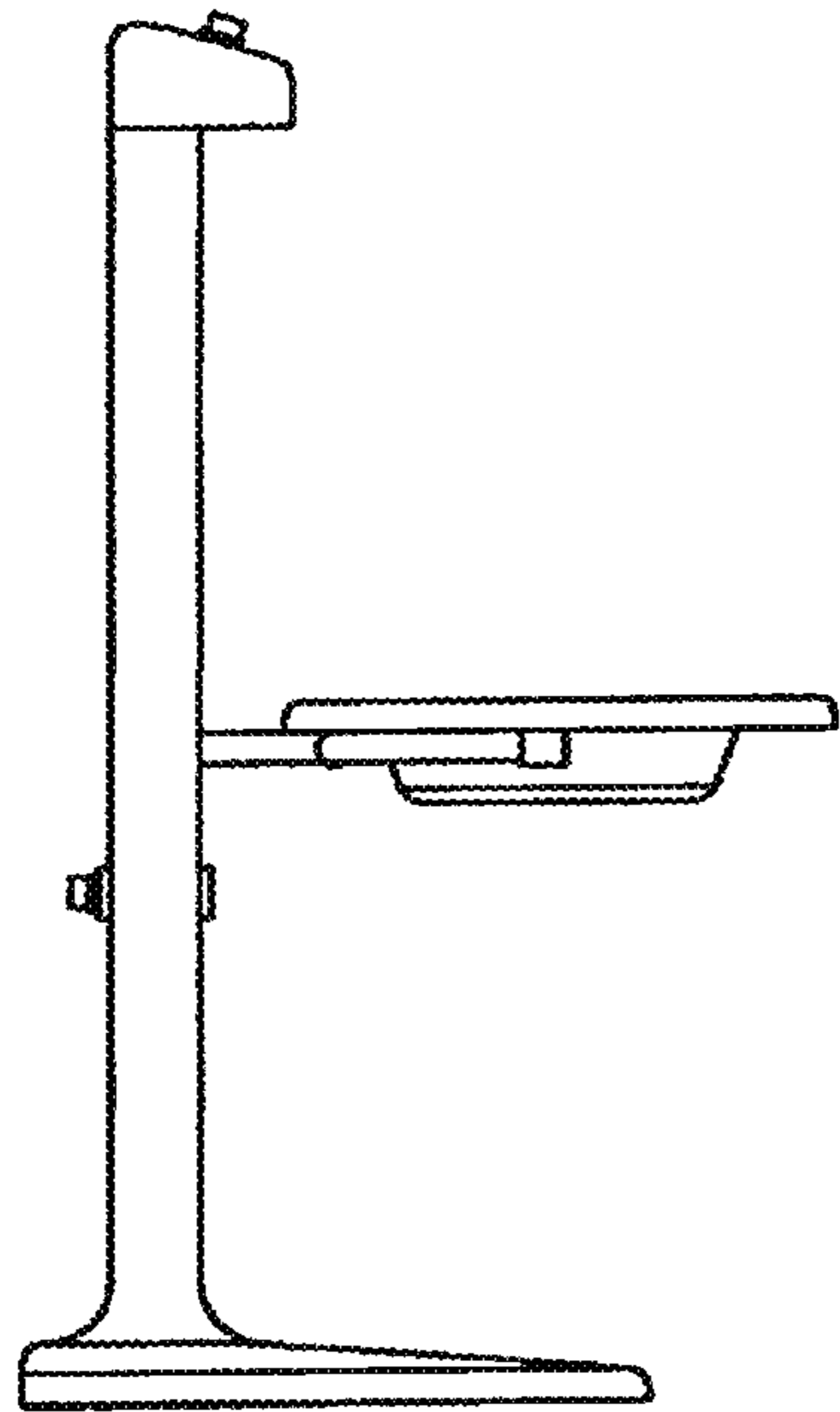


Fig. 8

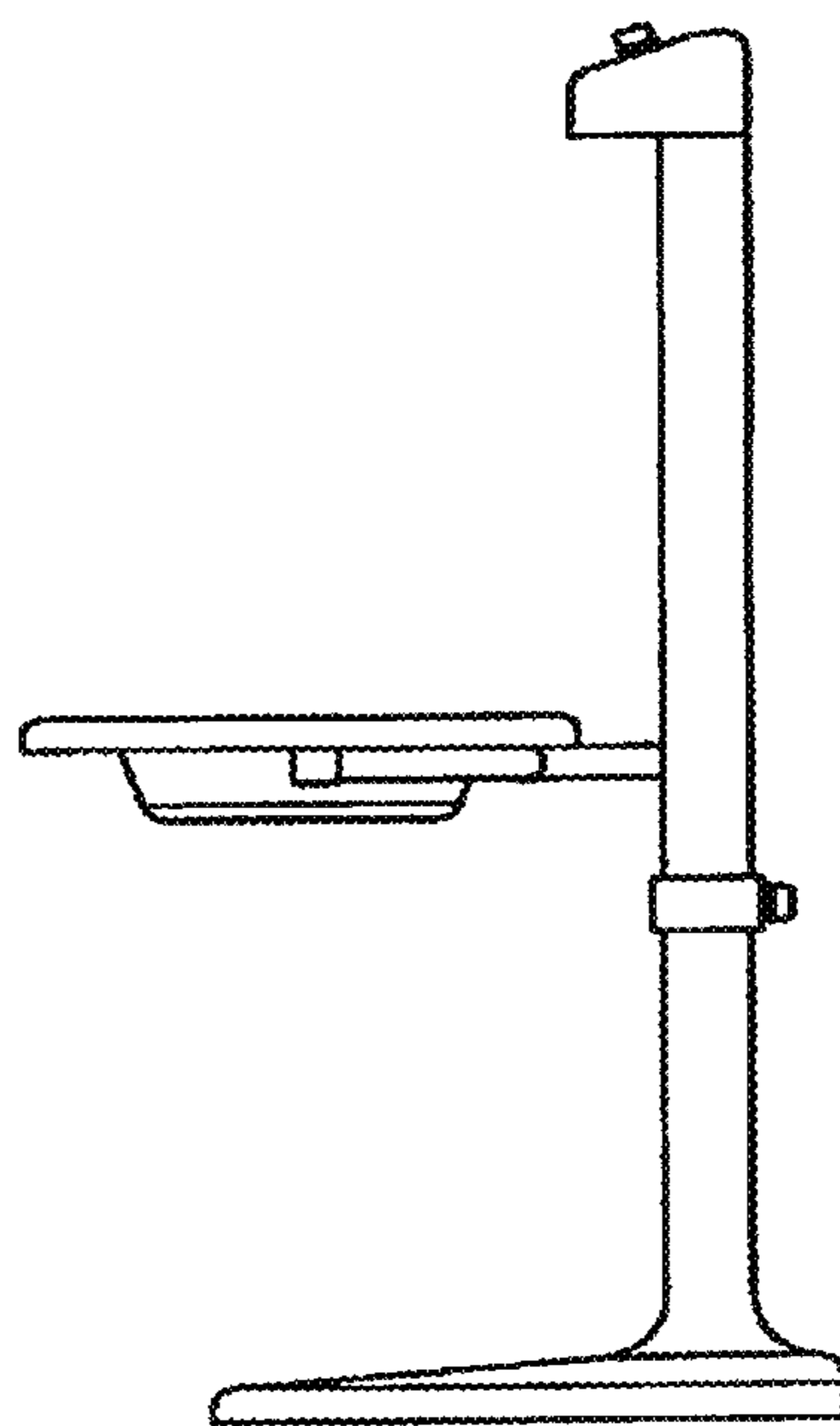


Fig. 9

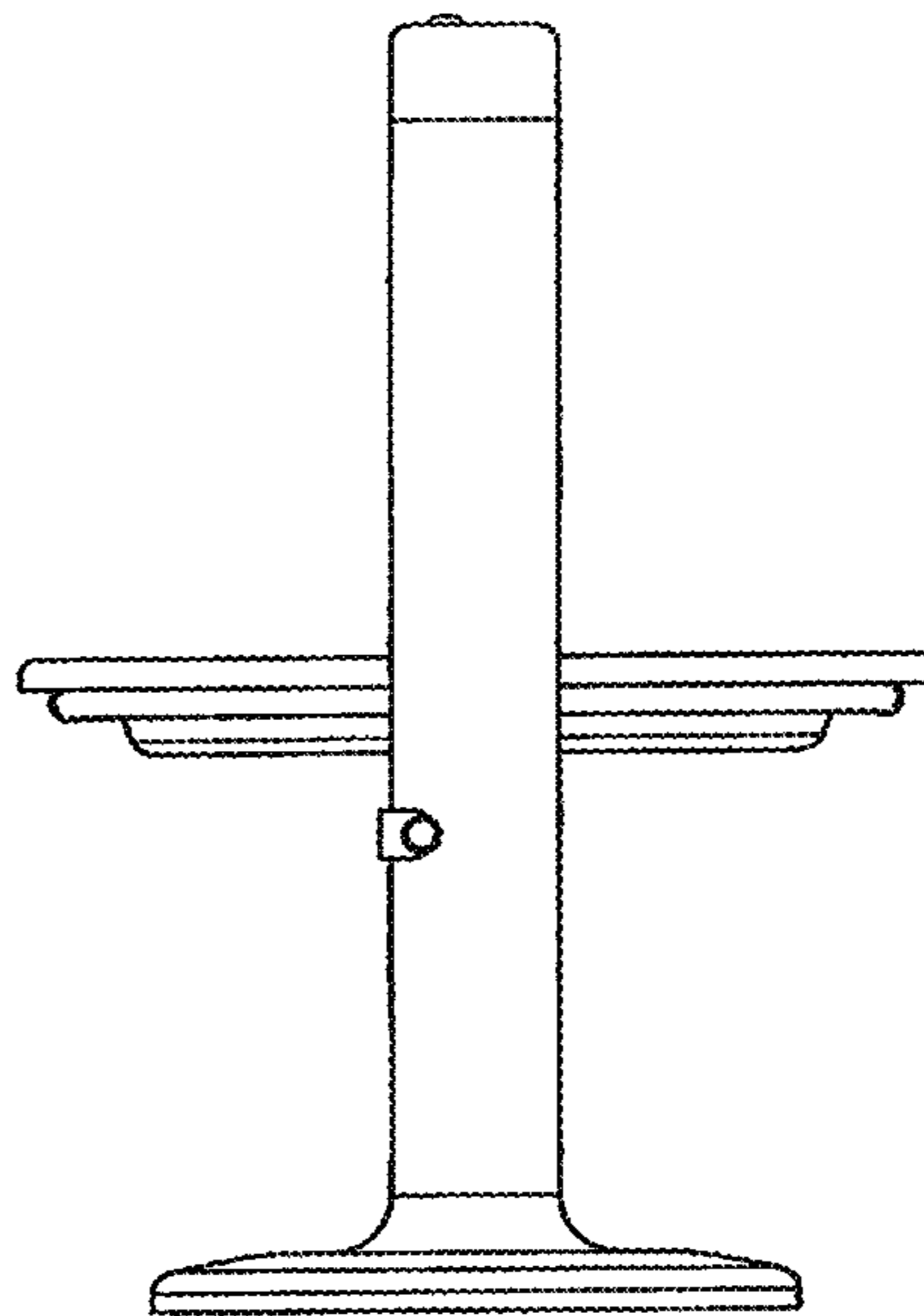


Fig.10