



US00D800385S

(12) **United States Design Patent**
Porter

(10) **Patent No.:** **US D800,385 S**

(45) **Date of Patent:** **** Oct. 17, 2017**

- (54) **HAIRDRYER ATTACHMENT**
- (71) Applicant: **Michalyn D. Porter**, Missouri City, TX (US)
- (72) Inventor: **Michalyn D. Porter**, Missouri City, TX (US)
- (**) Term: **15 Years**
- (21) Appl. No.: **29/576,321**
- (22) Filed: **Sep. 1, 2016**
- (51) **LOC (10) Cl.** **28-03**
- (52) **U.S. Cl.**
USPC **D28/24**
- (58) **Field of Classification Search**
USPC D28/24, 10, 12, 13, 18, 19; 34/96, 97, 34/98; 132/112-115, 212, 219, 271; 392/380, 379, 383-385
CPC A45D 20/12; A45D 20/122; A45D 21/00; A45D 2/001; A45D 2/002
See application file for complete search history.

6,457,254	B2	10/2002	Sahm	
7,040,037	B2 *	5/2006	Keong A45D 20/122 34/97
7,178,261	B2 *	2/2007	McCambridge A45D 20/124 219/222
D670,862	S *	11/2012	Petrucelli, Jr. D28/18
8,578,623	B1	11/2013	Anderson et al.	
D726,370	S *	4/2015	Han D28/18
D739,078	S *	9/2015	Vasquez D28/18
D785,240	S *	4/2017	Smith D28/13
D785,241	S *	4/2017	Stephens D28/18
2004/0261812	A1 *	12/2004	Csavas A45D 2/002 132/271
2016/0120286	A1 *	5/2016	Han A45D 20/52 132/116

* cited by examiner

Primary Examiner — Susan Bennett Hattan
Assistant Examiner — Rebecca Tsehaye
(74) *Attorney, Agent, or Firm* — Global Intellectual Property Agency, LLC; Daniel Enea

(57) **CLAIM**

The ornamental design for a hairdryer attachment, as shown and described.

DESCRIPTION

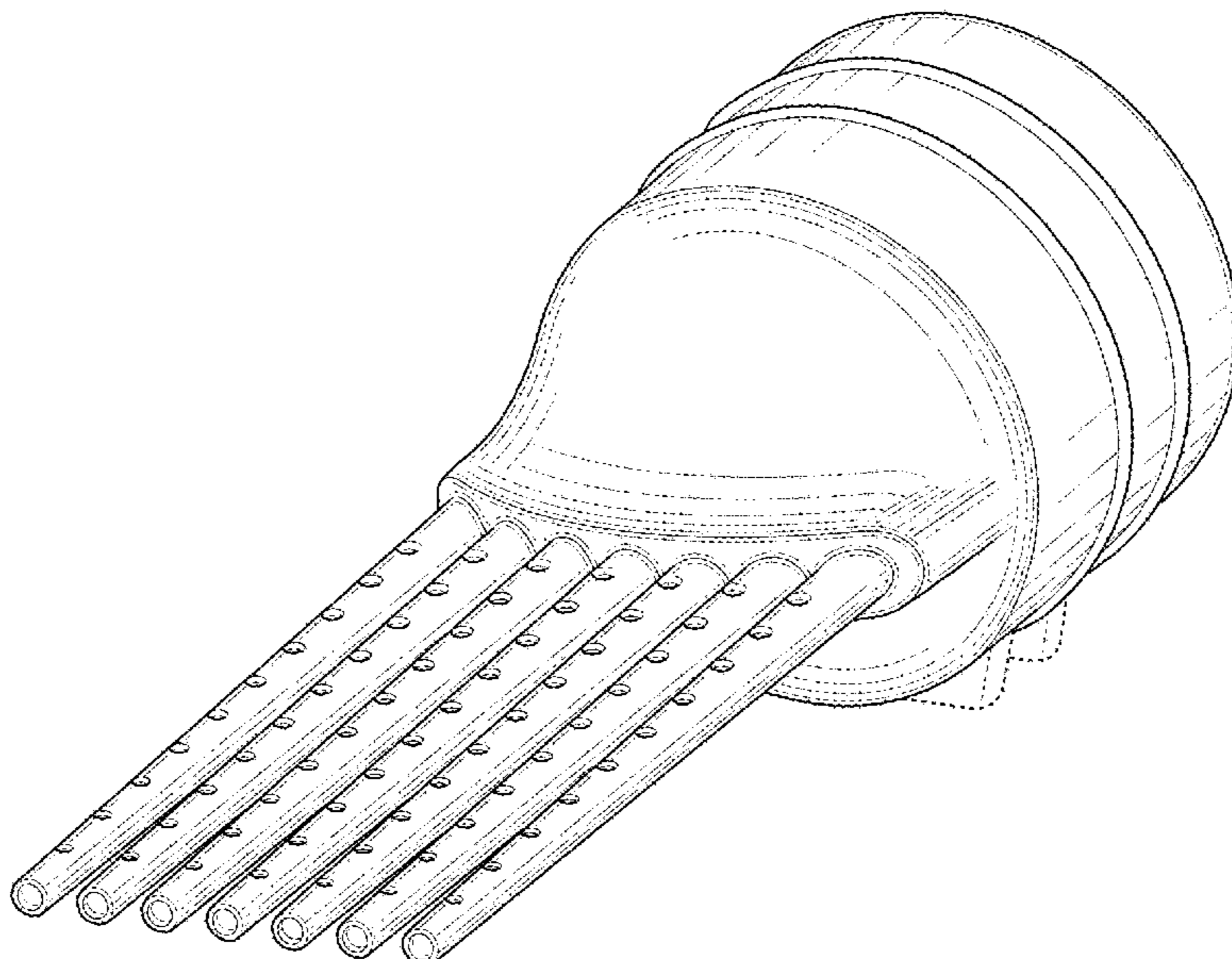
FIG. 1 shows a perspective view of a hairdryer attachment showing my new design;
FIG. 2 shows a left side view thereof;
FIG. 3 shows a right side view thereof;
FIG. 4 shows a front view thereof;
FIG. 5 shows a rear view thereof;
FIG. 6 shows a top plan view thereof; and,
FIG. 7 shows a bottom plan view thereof.
The broken lines in the drawing depict parts of the hairdryer attachment that form no part of the claimed design.

1 Claim, 4 Drawing Sheets

(56) **References Cited**

U.S. PATENT DOCUMENTS

4,692,594	A	9/1987	Martin	
5,271,160	A	12/1993	Greiner et al.	
5,553,632	A *	9/1996	Burkhardt A45D 20/50 132/144
D377,694	S *	1/1997	Smal D28/18
D381,766	S *	7/1997	Smal D28/18
5,729,907	A *	3/1998	Santhouse A45D 2/001 34/98
6,009,883	A *	1/2000	Morrow A45D 2/001 132/211
D426,674	S *	6/2000	Kwong D28/18
D433,182	S *	10/2000	Kwong D28/18
D433,183	S *	10/2000	Kwong D28/18



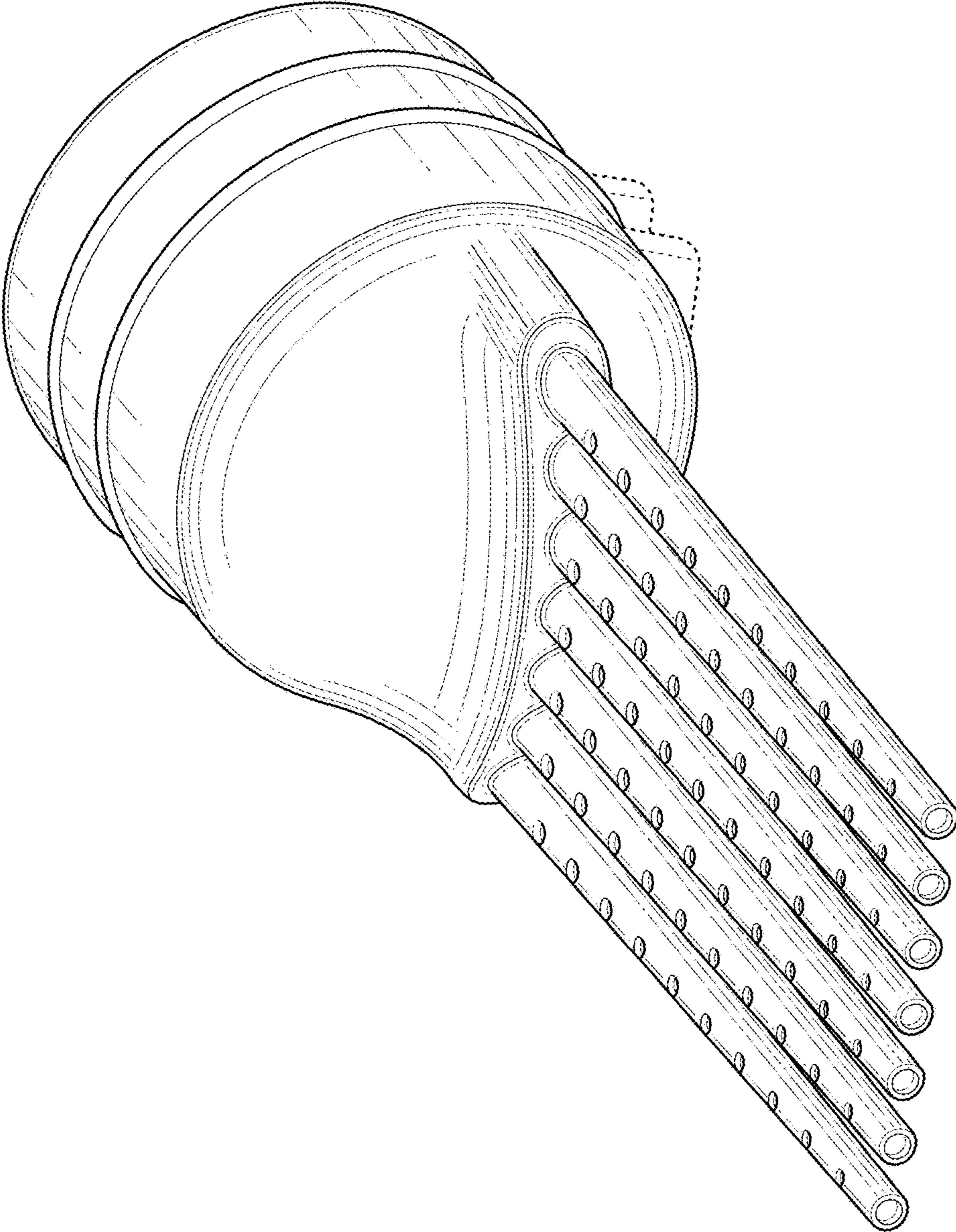


FIG. 1

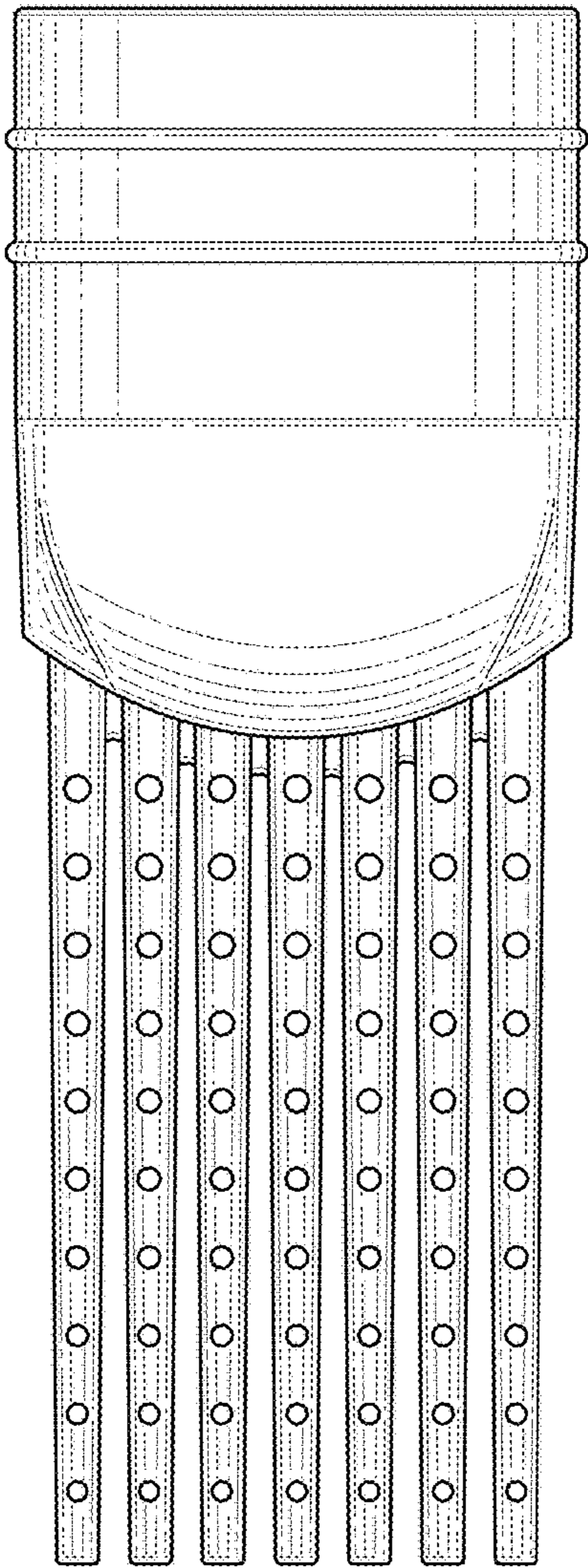


FIG. 2

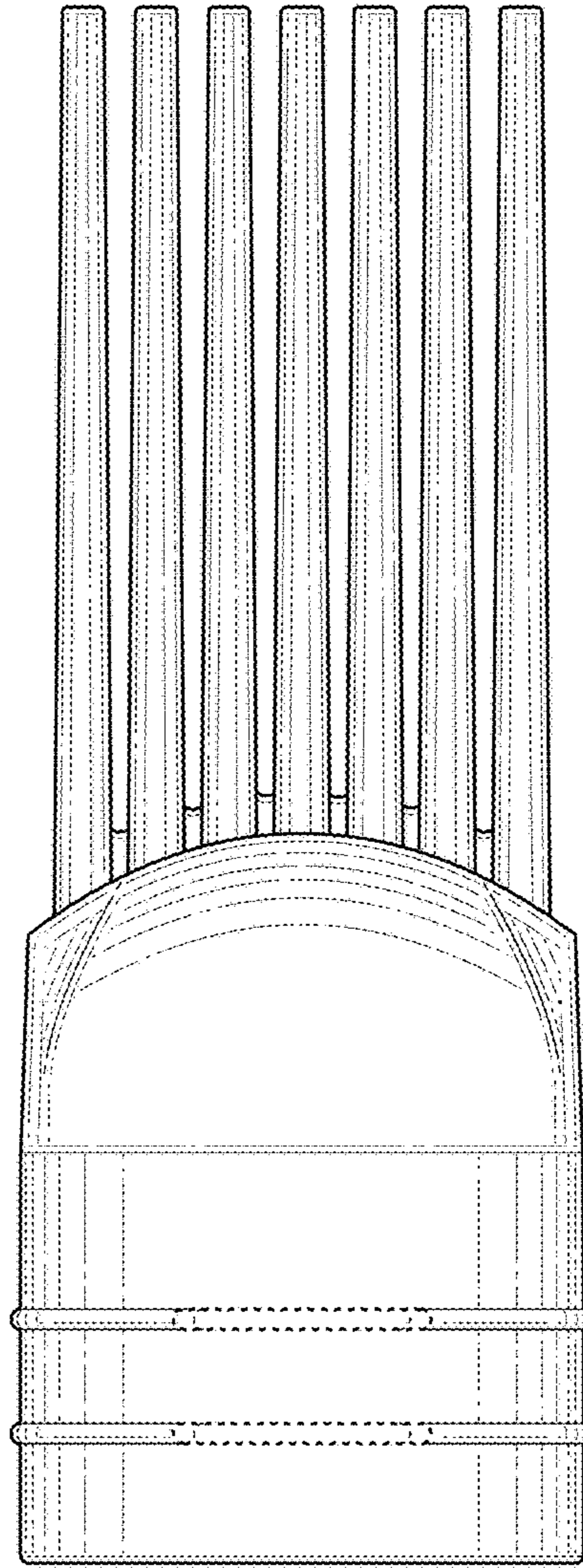


FIG. 3

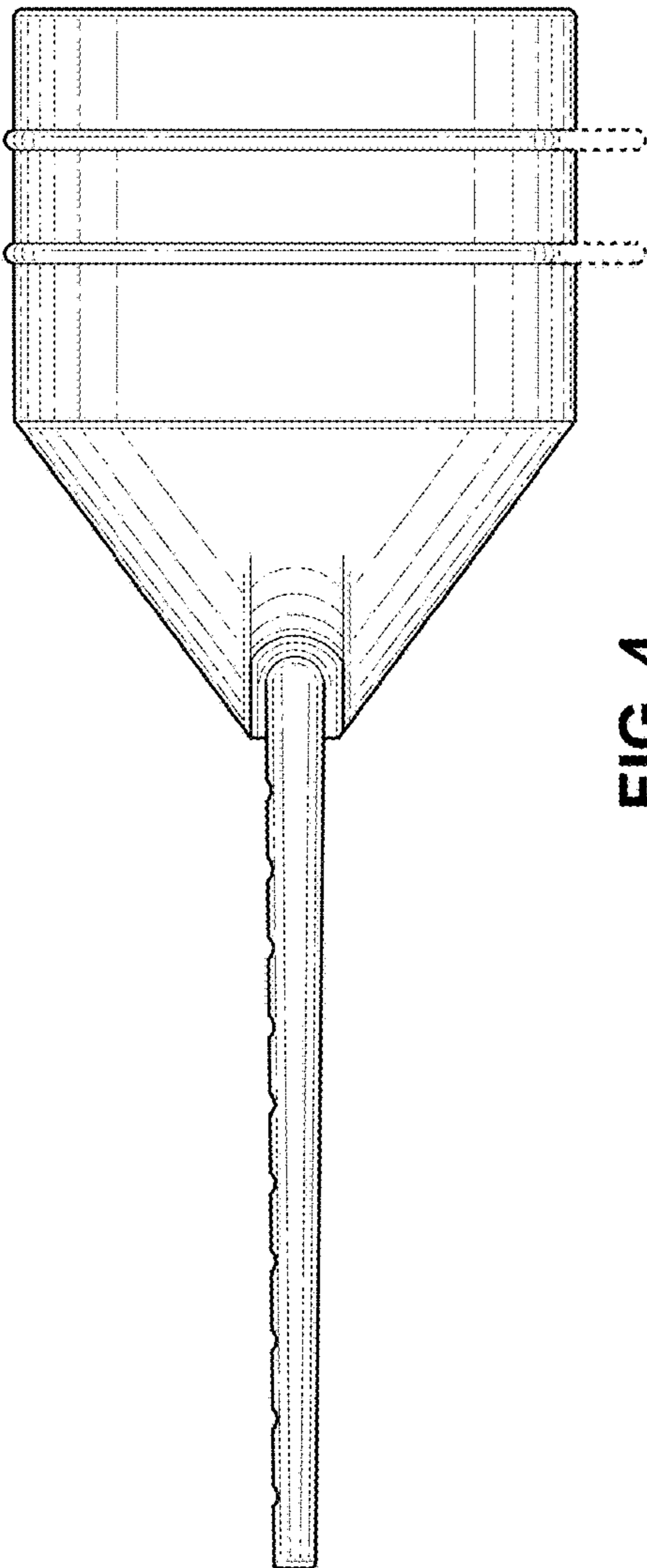


FIG. 4

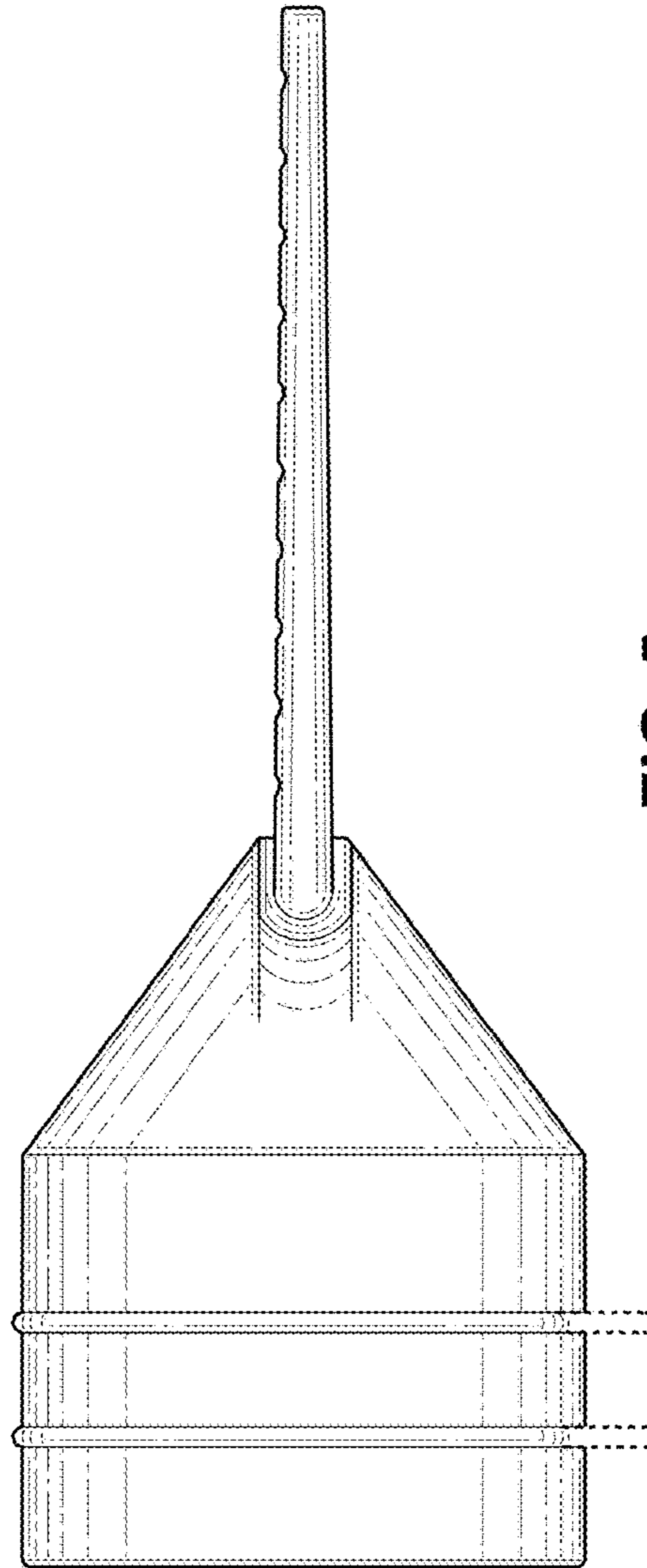


FIG. 5

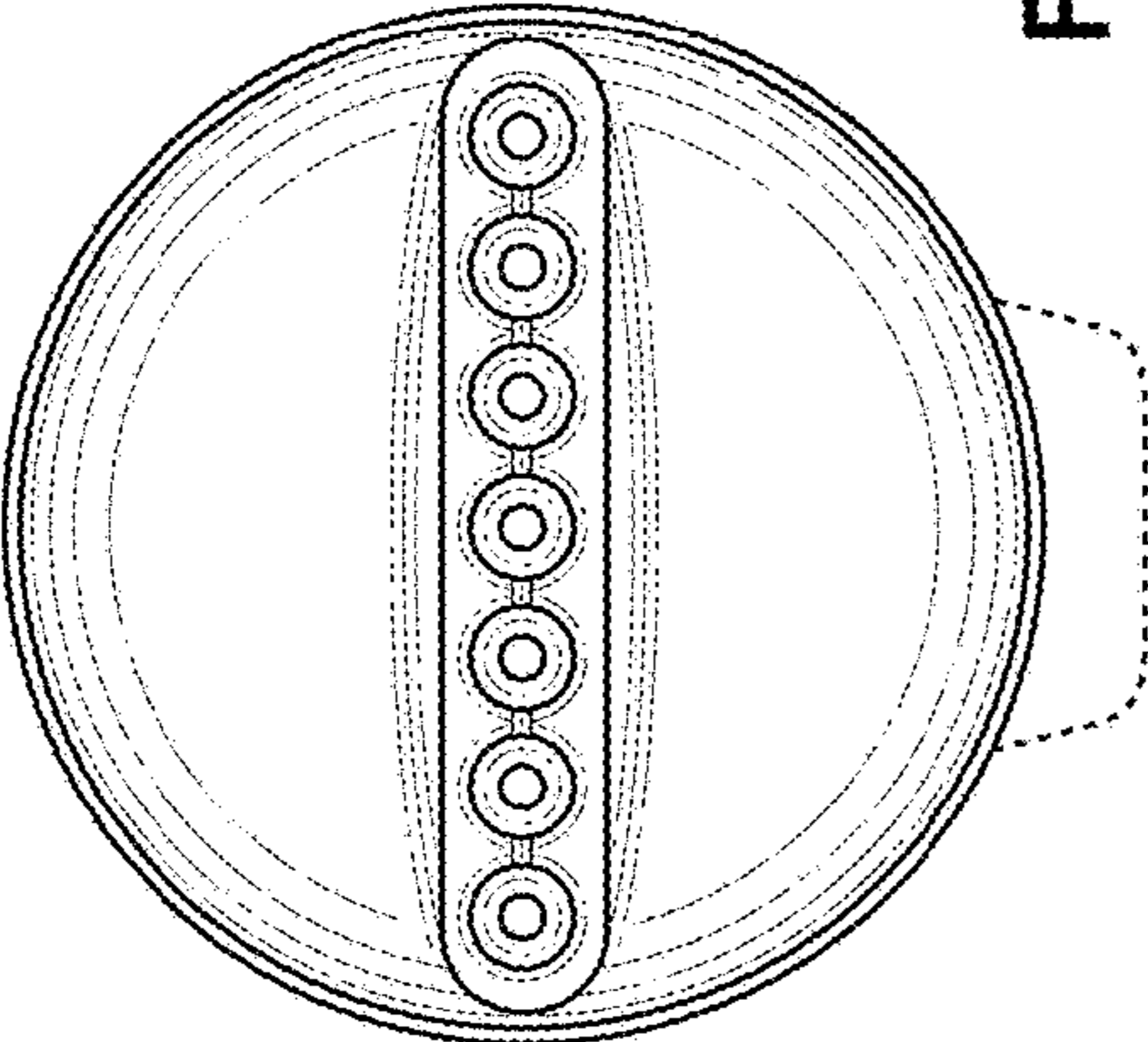


FIG. 6

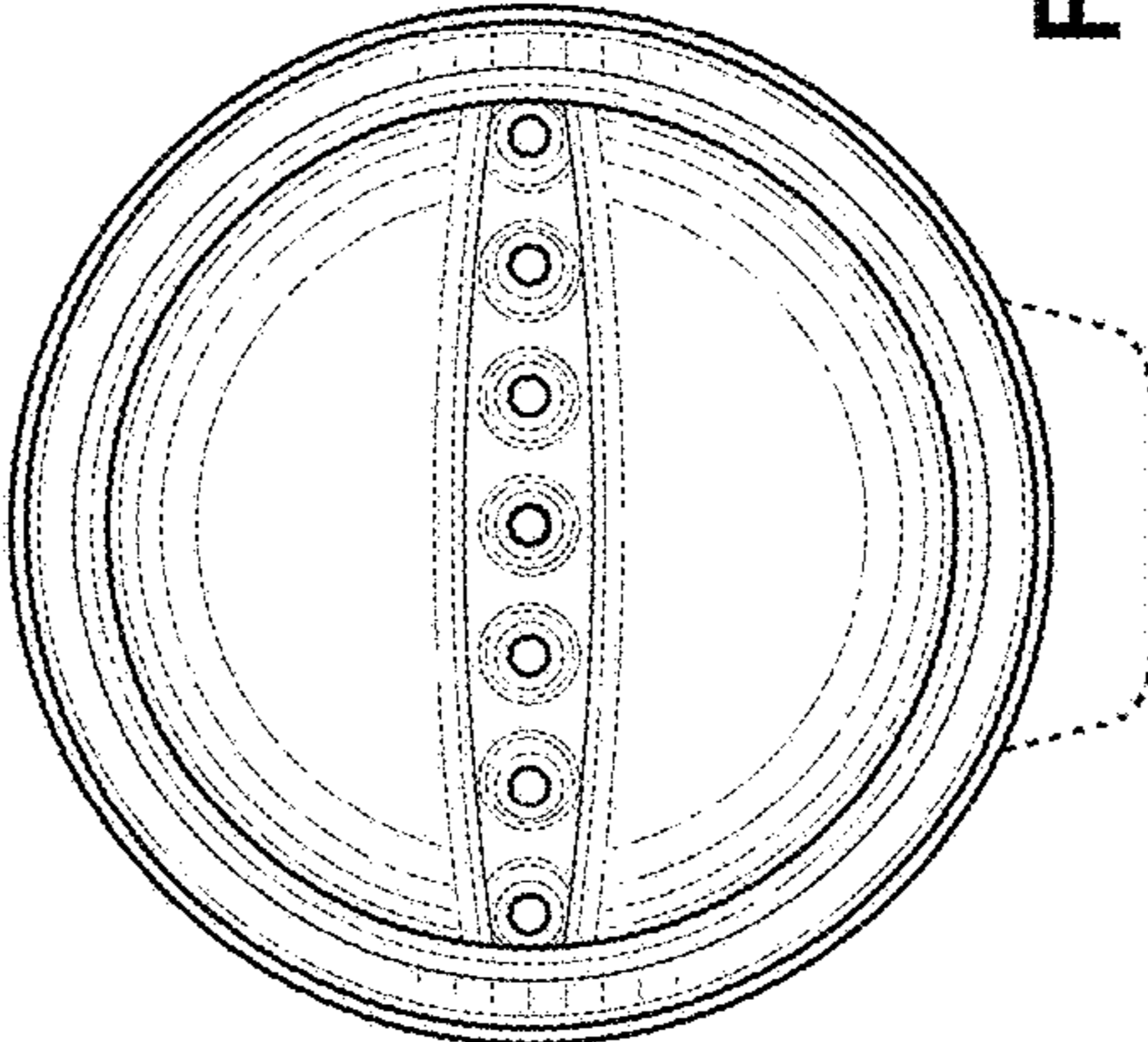


FIG. 7