



US00D800384S

(12) **United States Design Patent** (10) **Patent No.:** **US D800,384 S**
Hansen et al. (45) **Date of Patent:** **** Oct. 17, 2017**

(54) **FALSE EYELASH APPLICATOR**

(71) Applicants: **Hal J Hansen**, Toms River, NJ (US);
Alyssa B Jackson, Philadelphia, PA (US)

(72) Inventors: **Hal J Hansen**, Toms River, NJ (US);
Alyssa B Jackson, Philadelphia, PA (US)

(73) Assignee: **Hal J. Hansen**, Toms River, NJ (US)

(**) Term: **14 Years**

(21) Appl. No.: **29/522,564**

(22) Filed: **Mar. 31, 2015**

(51) **LOC (10) Cl.** **28-03**

(52) **U.S. Cl.**
USPC **D28/7**

(58) **Field of Classification Search**
USPC D28/7, 8, 92, 93, 99; 132/108, 202, 208,
132/317.32; D3/207
CPC A41G 5/02
See application file for complete search history.

(56) **References Cited**

U.S. PATENT DOCUMENTS

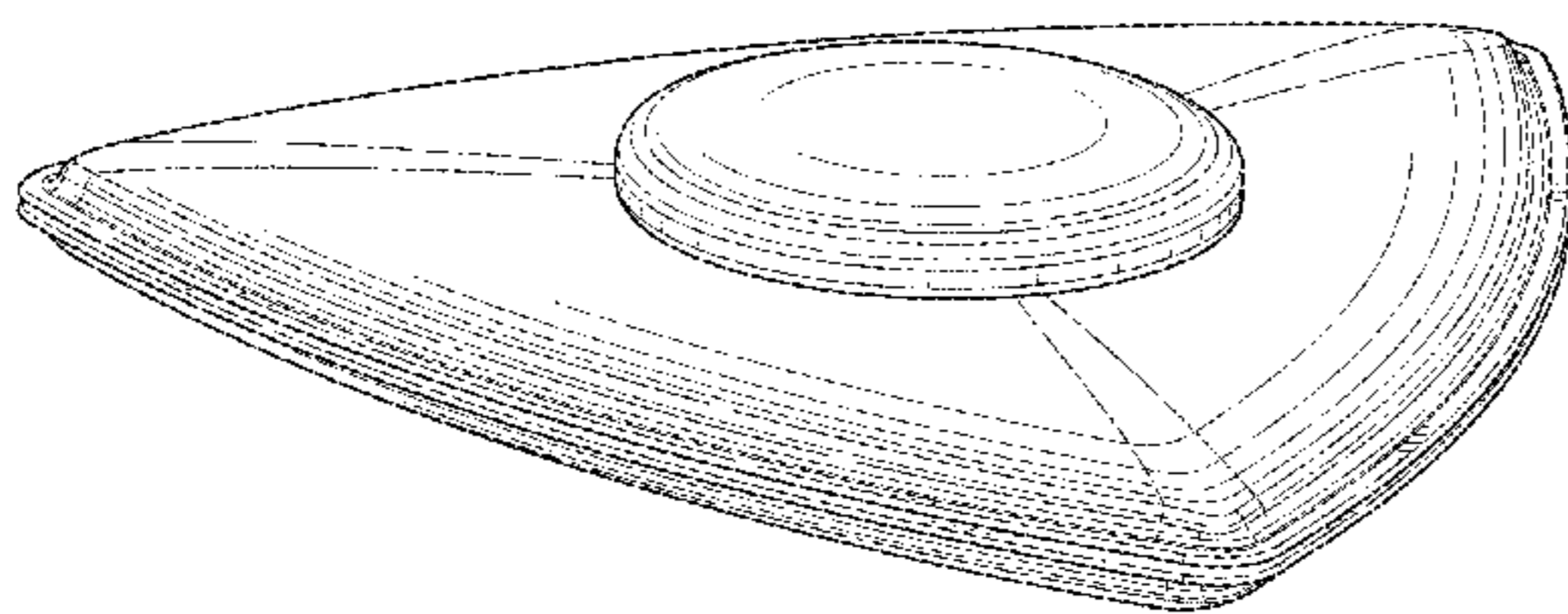
| | | |
|-------------|---------|--------------|
| D83,872 S | 4/1931 | McDonell |
| 1,939,013 A | 4/1933 | Lewis |
| 1,960,687 A | 5/1934 | Wills |
| 1,666,116 A | 4/1938 | Bunnell |
| D119,329 S | 3/1940 | Leyne |
| D129,526 S | 9/1941 | Hanisch |
| D133,455 S | 11/1941 | Tuttle |
| 2,268,082 A | 12/1941 | Phillips, Sr |
| 2,323,595 A | 7/1943 | Hanisch |

(Continued)

FOREIGN PATENT DOCUMENTS

| | | |
|----|---------|--------|
| GB | 1021063 | 2/1966 |
| GB | 1307107 | 2/1973 |

(Continued)



OTHER PUBLICATIONS

Aliexpress.com, "False Eyelash Applicator Mascara EyeLash Eye Lash Fake Clip Tool", <http://www.aliexpress.com/item/Hot-Sell-5pcs-lot-False-Eyelash-Applicator-Mascara-EyeLash-Eye-Lash-Fake-Clip-Tool-Free-Shipping/1360080576.html>, accessed Jan. 2, 2014, 9 pages.

(Continued)

Primary Examiner — Zenia Bennett

(74) *Attorney, Agent, or Firm* — Franklin & Associates International Inc; Matthew F. Lambrinos

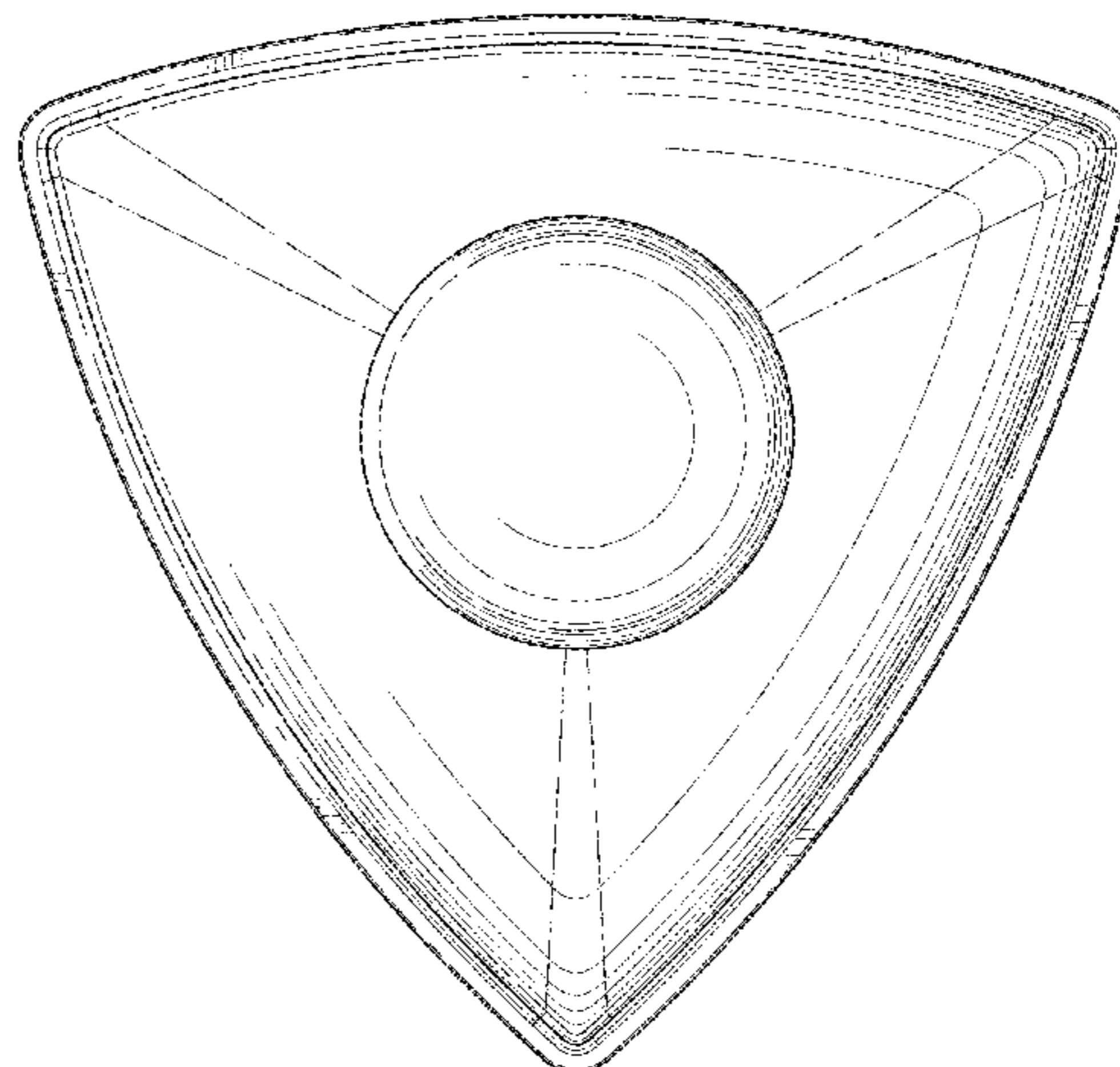
(57) **CLAIM**

The ornamental design for a false eyelash applicator, as shown and described.

DESCRIPTION

FIG. 1 is a front perspective from above of a false eyelash applicator showing my new design according to an embodiment; FIG. 2 is a front view of the false eyelash applicator of FIG. 1; FIG. 3 is a left side view of the false eyelash applicator of FIG. 1; FIG. 4 is a right side view of the false eyelash applicator of FIG. 1; FIG. 5 is a rear view of the false eyelash applicator of FIG. 1; FIG. 6 is a top view of the false eyelash applicator of FIG. 1; FIG. 7 is a bottom view of the false eyelash applicator of FIG. 1; and, FIG. 8 is a rear perspective view from below of the false eyelash applicator of FIG. 1. The broken line showing portions of the false eyelash applicator is for illustrative purposes only and forms no part of the claimed design.

1 Claim, 5 Drawing Sheets



(56)

References Cited

U.S. PATENT DOCUMENTS

D143,945 S 2/1946 Wolff
 D155,157 S 9/1949 Hickey
 2,760,264 A 8/1956 Javits
 3,016,059 A 1/1962 Hutton
 3,333,593 A 8/1967 McGivern
 3,339,561 A 9/1967 Brickner
 D210,180 S 2/1968 Solomon
 D213,239 S 1/1969 Flewwellin
 3,461,886 A 8/1969 Bau
 D215,985 S 11/1969 Silson
 3,478,754 A 11/1969 Martin, Jr.
 3,511,248 A 5/1970 Panda
 3,516,423 A 6/1970 Seidler
 D218,870 S 9/1970 Aylott
 3,547,135 A 12/1970 Roos
 3,556,113 A 1/1971 Frieder
 D219,854 S 2/1971 Howard
 3,561,454 A 2/1971 O'Connell
 3,590,828 A 7/1971 Prewitt
 D222,518 S 10/1971 Brittain
 3,625,229 A 12/1971 Silson
 3,654,939 A 4/1972 Davidson
 3,670,742 A 6/1972 Weaner
 3,722,519 A 3/1973 Epstein
 D328,504 S 8/1992 Davies
 5,927,295 A 7/1999 Quinones
 D430,955 S 9/2000 Ishida
 D437,086 S 1/2001 Dickert
 D449,408 S 10/2001 McMillan
 D455,521 S * 4/2002 Park D27/195
 D503,494 S 3/2005 Yamashita
 D559,449 S 1/2008 Lin
 D573,307 S 7/2008 Cho
 D576,352 S * 9/2008 Brestoni D28/7
 D581,096 S 11/2008 Zhang
 D587,899 S * 3/2009 Oksanen D3/207
 D600,857 S 9/2009 Maddy
 D609,403 S 2/2010 Cho
 D611,657 S 3/2010 Maddy
 D629,201 S 12/2010 Demarco
 D630,794 S * 1/2011 Cohen Harel D27/195
 8,015,980 B2 9/2011 Rabe
 8,196,591 B2 6/2012 Lee et al.
 D674,182 S * 1/2013 Copeland D3/208
 D677,004 S 2/2013 Cole
 8,424,542 B1 4/2013 Han
 D721,856 S 1/2015 Villarreal
 9,215,901 B1 * 12/2015 Schroeder A41G 5/02
 D757,359 S * 5/2016 Van Keppel D27/195
 2002/0189628 A1 12/2002 Iosilevich
 2005/0166939 A1 8/2005 Stroud

2009/0223534 A1 9/2009 Green
 2012/0136748 A1 5/2012 Shasteen
 2013/0042884 A1 2/2013 Wilkinson
 2013/0160783 A1 6/2013 Ahn et al.
 2015/0201692 A1 7/2015 Hansen

FOREIGN PATENT DOCUMENTS

JP 2011005013 1/2011
 JP 2012072510 4/2012
 WO 2015109266 A1 7/2015

OTHER PUBLICATIONS

Beautyjunkiesunite.com, "Make Applying False Lashes Easy with the Ardell Pro Lash Applicator", <http://www.beautyjunkiesunite.com/WP/2013/11/11/make-applying-false-lashes-easy-with-the-ardell-pro-lash-applicator/>, Nov. 11, 2013, 7 pages.
 Sephora.com, "Bulls Eye Lash Applicator", <http://www.sephora.com/bulls-eye-lash-applicator-P374552>, accessed Jan. 2, 2014, 4 pages.
 "Mini Portable cosmetic Eyelash Curl Curling Clamp", www.paywithless.com/makeup/4166-1-pcs-mini-portable-cosmetic-eyelash-curl-curling-clamp-for-woman-color-random.html, accessed Jan. 3, 2014, 31 pages.
 International Search Report issued on May 11, 2015 for PCT Application PCT/US2015/011873.
 U.S. Appl. No. 29/522,565, filed Mar. 31, 2015, entitled False Eyelash Support by Hal J Hansen, 14 pages.
 U.S. Appl. No. 29/522,569, filed Mar. 31, 2015, entitled False Eyelash Support by Hal J Hansen, 14 pages.
 U.S. Appl. No. 29/522,573, filed Mar. 31, 2015, entitled Cosmetic Box by Hal J Hansen, 19 pages.
 U.S. Appl. No. 29/522,575, filed Mar. 31, 2015, entitled False Eyelash Support Holder by Hal J Hansen, 15 pages.
 U.S. Appl. No. 29/522,579, filed Mar. 31, 2015, entitled False Eyelash Support Inverter by Hal J Hansen, 18 pages.
 U.S. Appl. No. 29/522,582, filed Mar. 31, 2015, entitled Cosmetic Box by Hal J Hansen, 26 pages.
 U.S. Appl. No. 29/571,700, filed Jul. 20, 2016, entitled False Eyelash Support by Hal Hansen, 17 pages.
 Restriction Requirement issued on Jun. 16, 2016 for Design U.S. Appl. No. 29/522,579.
 U.S. Appl. No. 15/215,571, filed Jul. 20, 2016, entitled False Eyelash Support by Hal Hansen, 97 pages.
 Restriction Requirement in Design U.S. Appl. No. 14/599,496 dated May 31, 2016.
 Restriction Requirement in Design U.S. Appl. No. 29/522,582 dated Jun. 22, 2016.

* cited by examiner

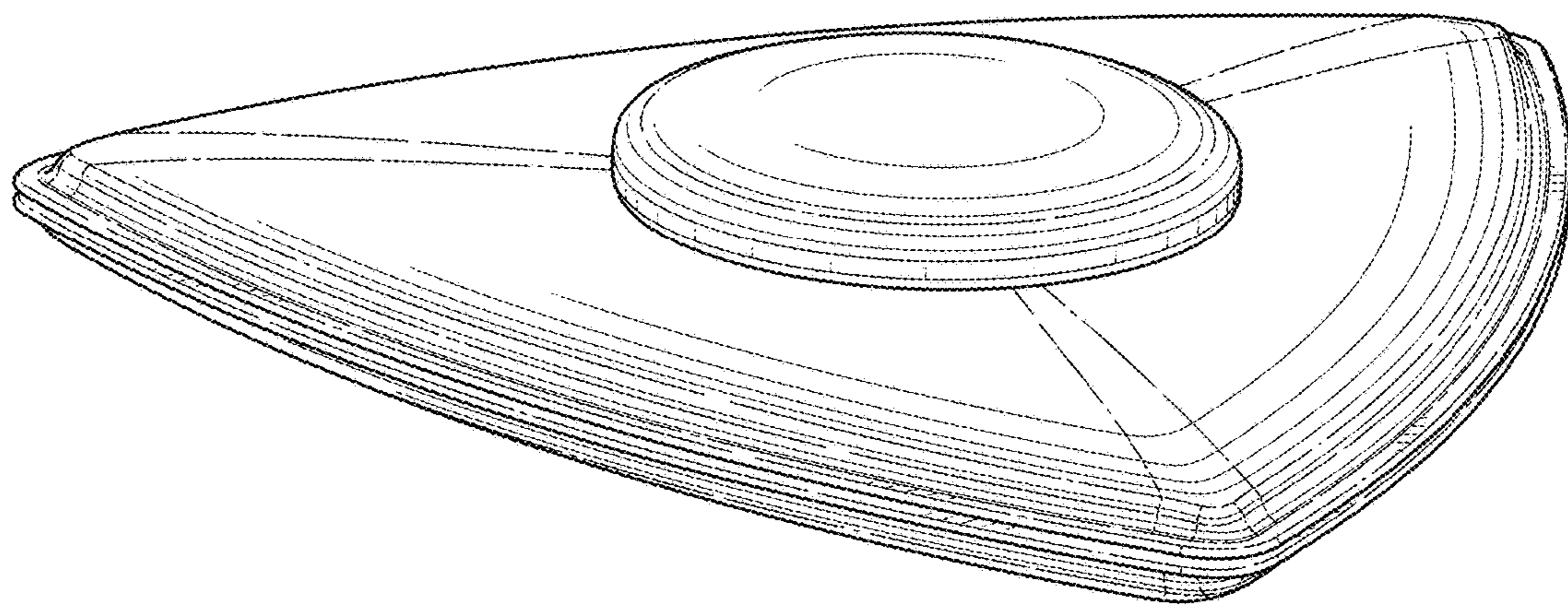


FIG. 1

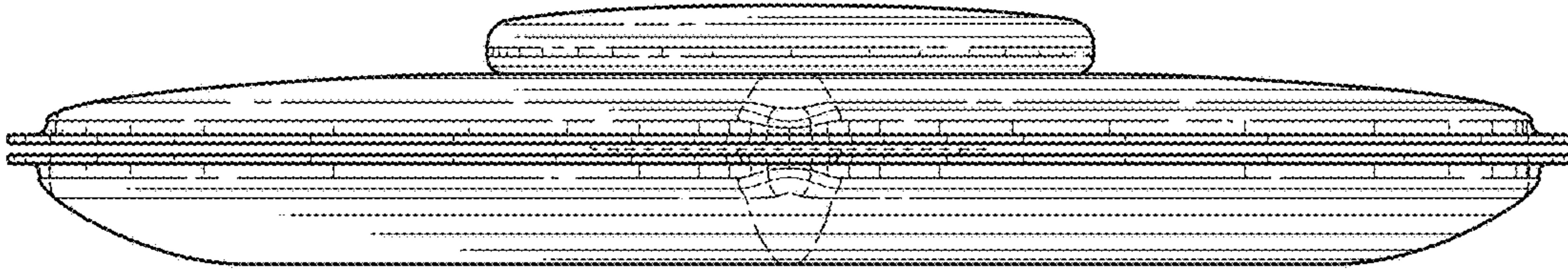


FIG. 2

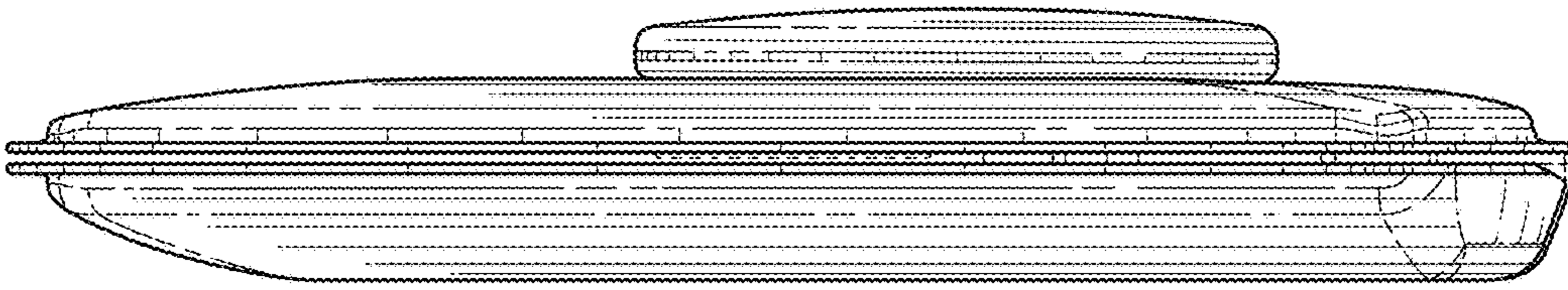


FIG. 3

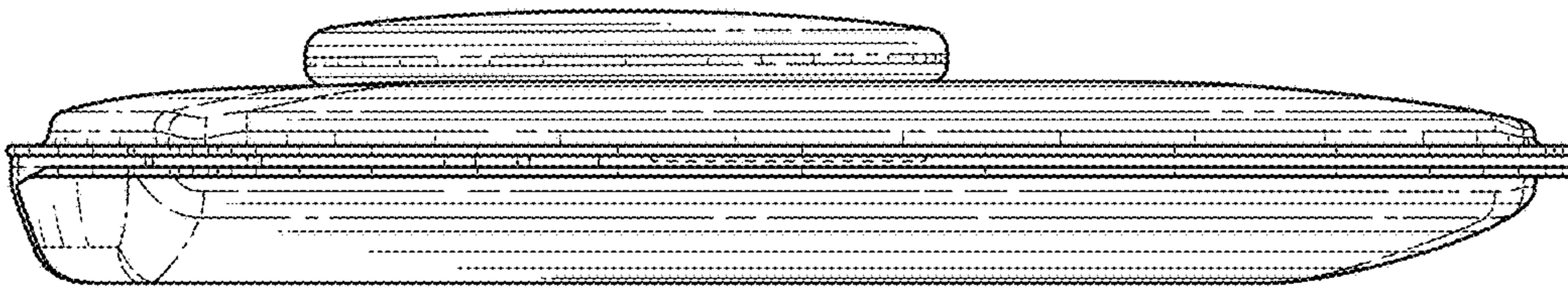


FIG. 4

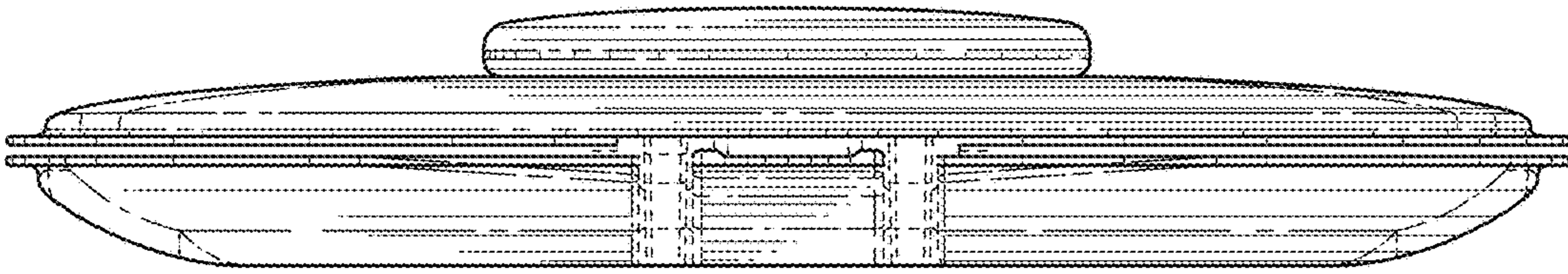


FIG. 5

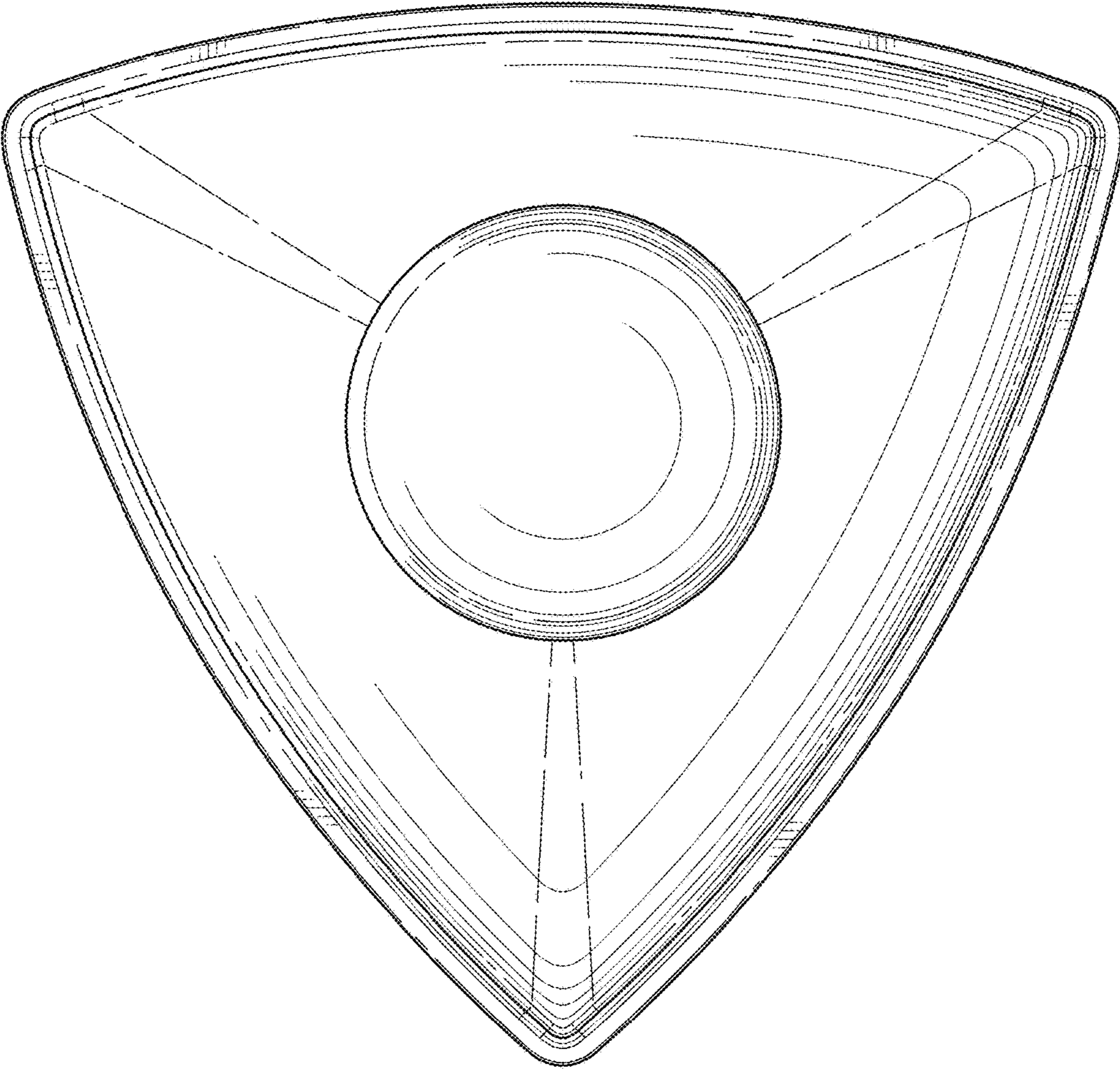


FIG. 6

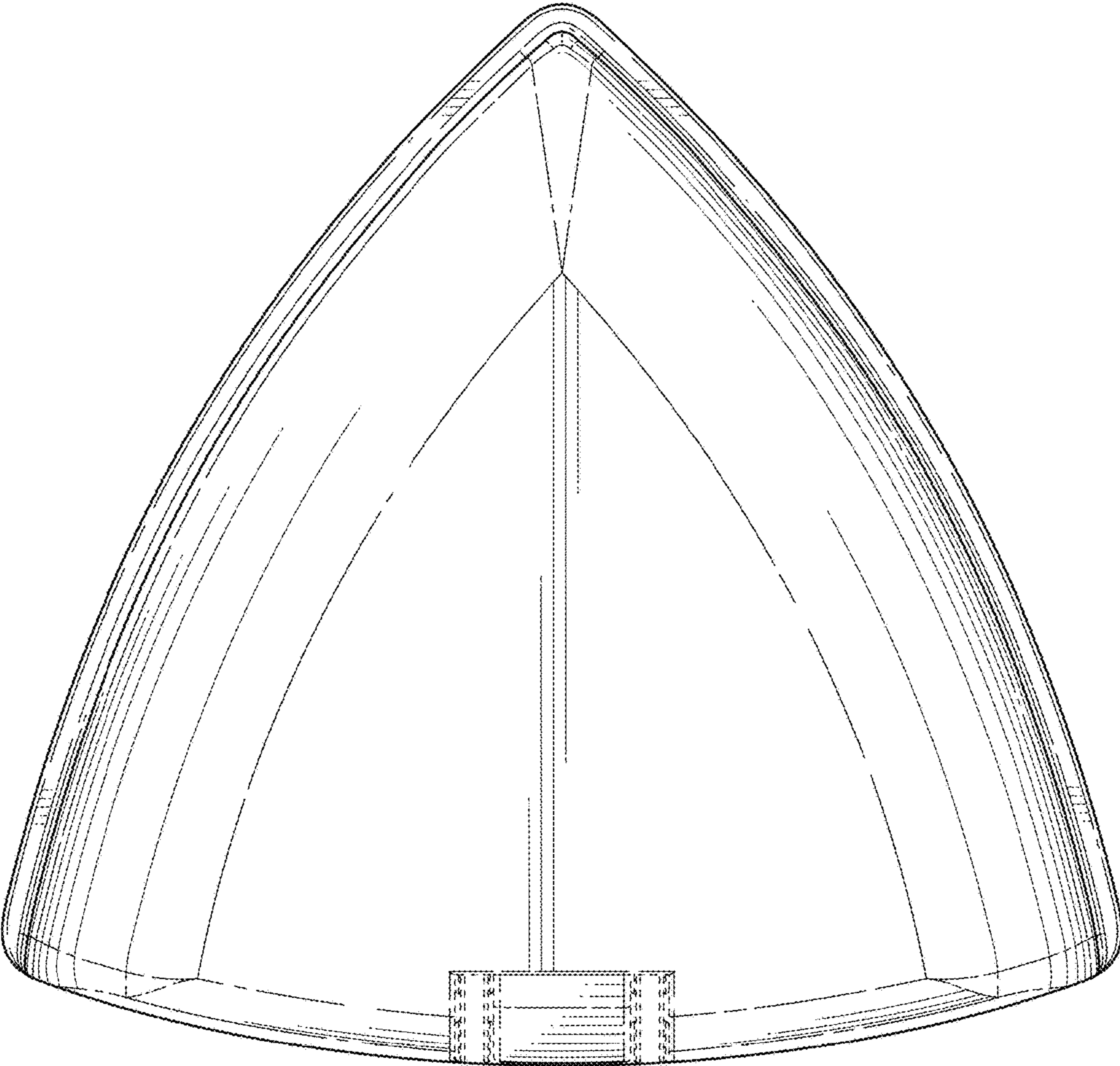


FIG. 7

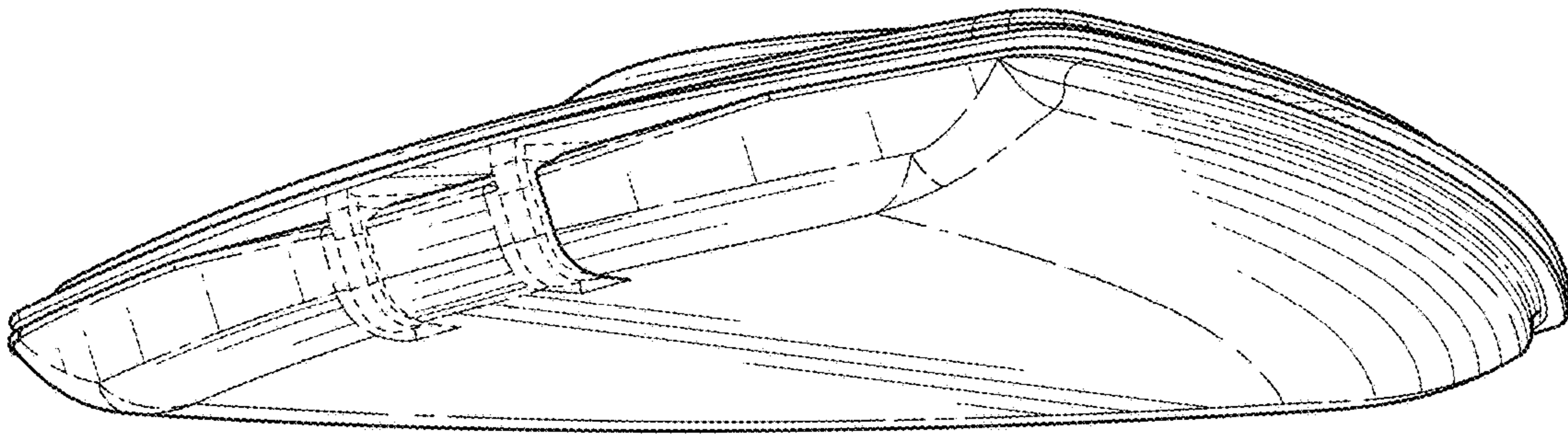


FIG. 8