



US00D800381S

(12) **United States Design Patent** (10) **Patent No.:** **US D800,381 S**
Chen (45) **Date of Patent:** **** Oct. 17, 2017**

(54) **ATOMIZER FOR ELECTRONIC CIGARETTES**
(71) Applicant: **Shenzhen Smoore Technology Limited**, Shenzhen, Guangdong (CN)
(72) Inventor: **Zhiping Chen**, Guangdong (CN)
(73) Assignee: **Shenzhen Smoore Technology Limited**, Shenzhen (CN)
(**) Term: **15 Years**
(21) Appl. No.: **29/555,376**
(22) Filed: **Feb. 22, 2016**

(30) **Foreign Application Priority Data**

Jan. 28, 2016 (CN) 2016 3 0032329

(51) **LOC (10) Cl.** **27-02**

(52) **U.S. Cl.**
USPC **D27/167**

(58) **Field of Classification Search**
USPC D27/100, 101, 162, 163-169, 172, 175, D27/186, 189, 193, 194, 195, 136, 137, D27/138
CPC .. A24F 47/008; A24F 5/00; A24F 7/02; A24F 3/00; A24F 47/002; A24F 15/12; A24F 15/18

See application file for complete search history.

(56) **References Cited**

U.S. PATENT DOCUMENTS

D724,264 S * 3/2015 Chambers D27/101
D724,782 S * 3/2015 Wu D27/101
D729,440 S * 5/2015 Liu D27/101
D748,852 S * 2/2016 Wu D27/101
D764,703 S * 8/2016 Liu D27/101
D767,822 S * 9/2016 Jordan D27/194
D768,914 S * 10/2016 Liu D27/101

D778,831 S * 2/2017 Chen D13/108
2013/0180533 A1* 7/2013 Kim A24F 47/008
131/273
2014/0360514 A1* 12/2014 Zhu A24F 47/008
131/329
2015/0282528 A1* 10/2015 Liu A24F 47/008
131/329
2015/0282529 A1* 10/2015 Li A24F 47/008
131/273
2015/0335073 A1* 11/2015 Li A24F 47/008
131/329
2015/0374039 A1* 12/2015 Zhu A24F 47/008
131/329
2016/0000145 A1* 1/2016 Liu A61M 15/06
131/329
2016/0007654 A1* 1/2016 Zhu A24F 47/008
131/328

(Continued)

Primary Examiner — Robert M Spear
Assistant Examiner — Marissa J Cash

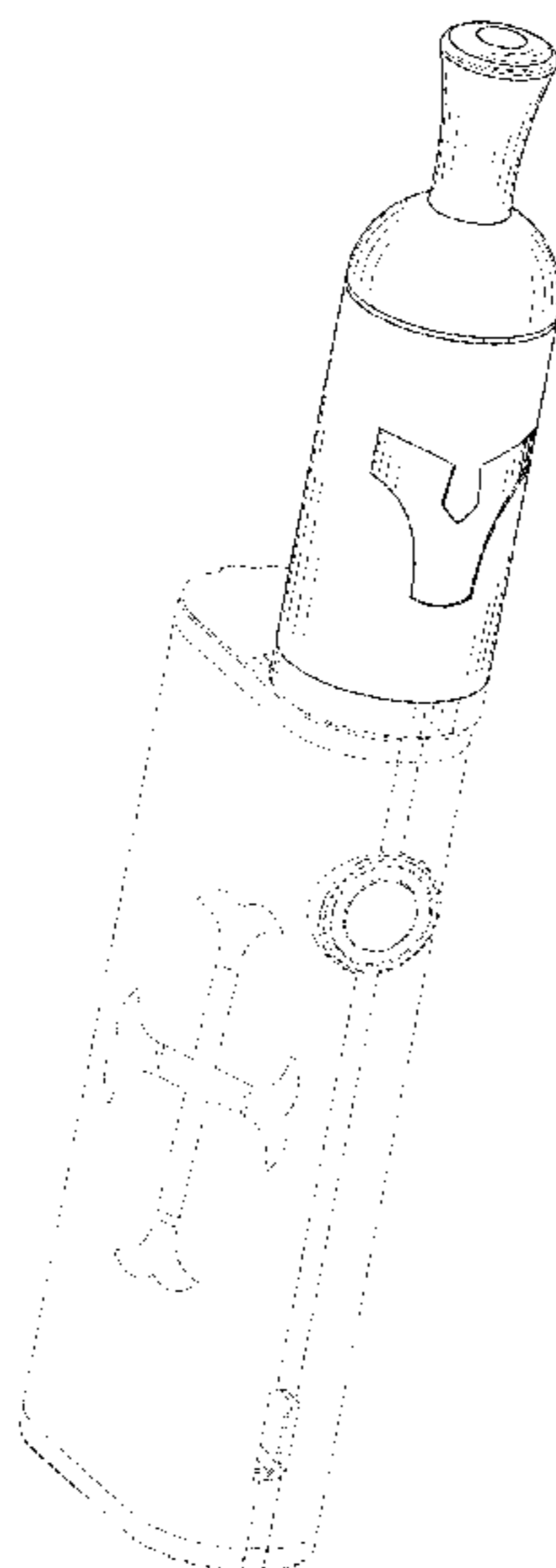
(57) **CLAIM**

The ornamental design for an atomizer for electronic cigarettes, as shown and described.

DESCRIPTION

FIG. 1 is a front elevational view of an atomizer for electronic cigarettes showing my new design; FIG. 2 is a rear elevational view thereof; FIG. 3 is a left side view thereof; FIG. 4 is a right side view thereof; FIG. 5 is a bottom plan view thereof; FIG. 6 is a top plan view thereof; FIG. 7 is a first perspective view thereof; FIG. 8 is a second perspective view thereof; and, FIG. 9 is a third perspective view thereof, showing the atomizer for electronic cigarettes in a use state. The broken lines are for illustrative purposes only and form no part of the claimed design.

1 Claim, 9 Drawing Sheets



(56)

References Cited

U.S. PATENT DOCUMENTS

2016/0113327 A1* 4/2016 Wu H05B 3/06
131/329
2016/0165955 A1* 6/2016 Horne A45F 5/02
131/328
2016/0262452 A1* 9/2016 Zhu F01K 5/00
2017/0013881 A1* 1/2017 Liu A24F 47/008
2017/0042228 A1* 2/2017 Liu A24F 47/008
2017/0065001 A1* 3/2017 Li F16K 15/14
2017/0079327 A1* 3/2017 Wu A24F 47/008
2017/0105453 A1* 4/2017 Li A24F 47/008
2017/0112193 A1* 4/2017 Chen A24F 47/008
2017/0119060 A1* 5/2017 Li A24F 47/008

* cited by examiner

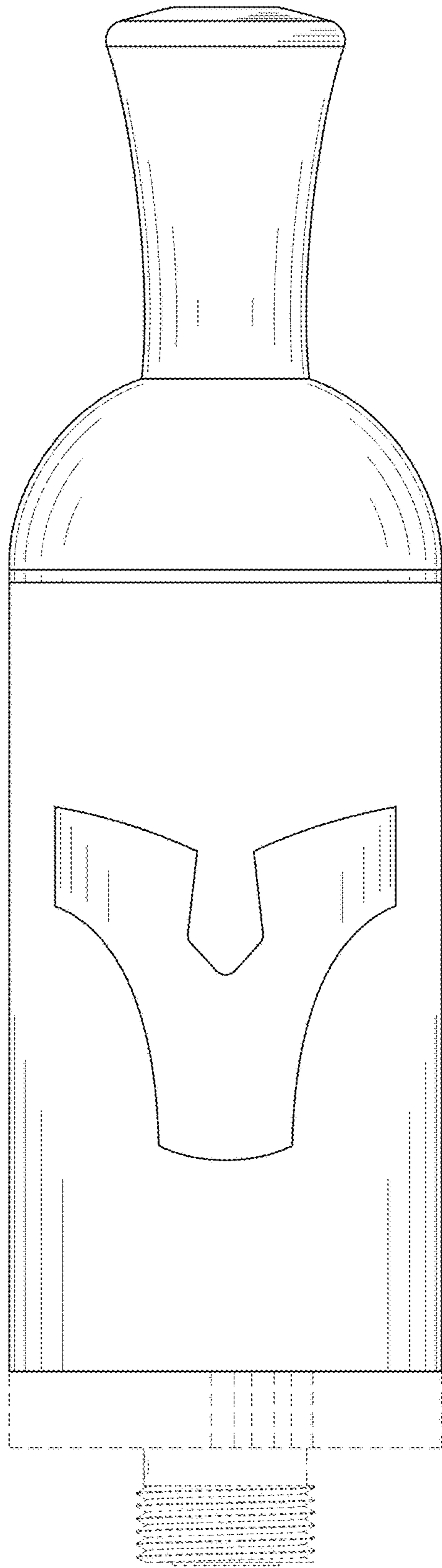


Fig. 1

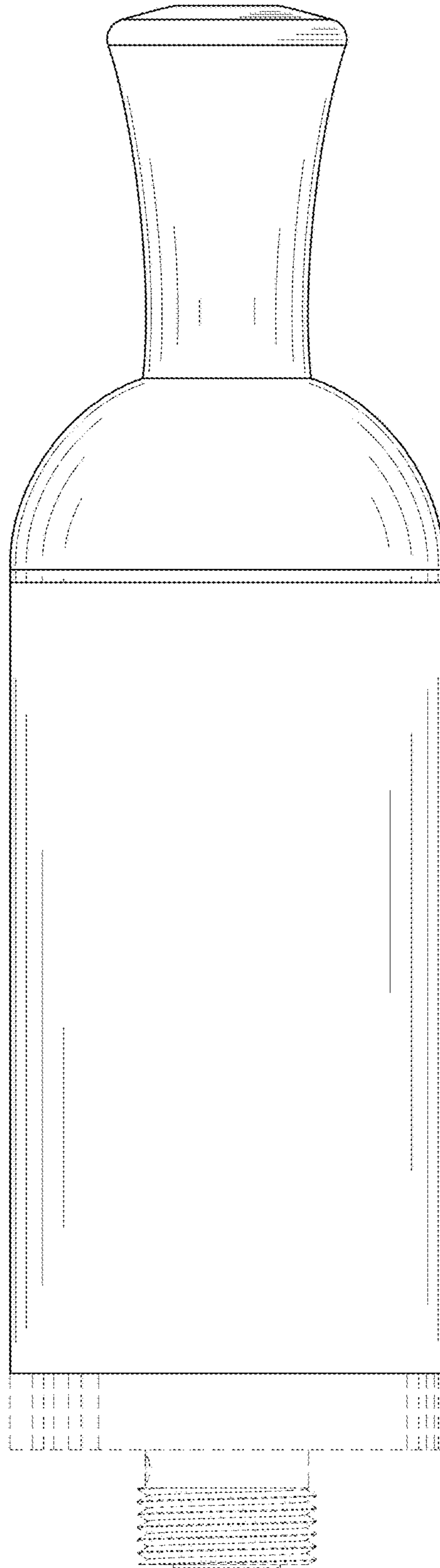


Fig. 2

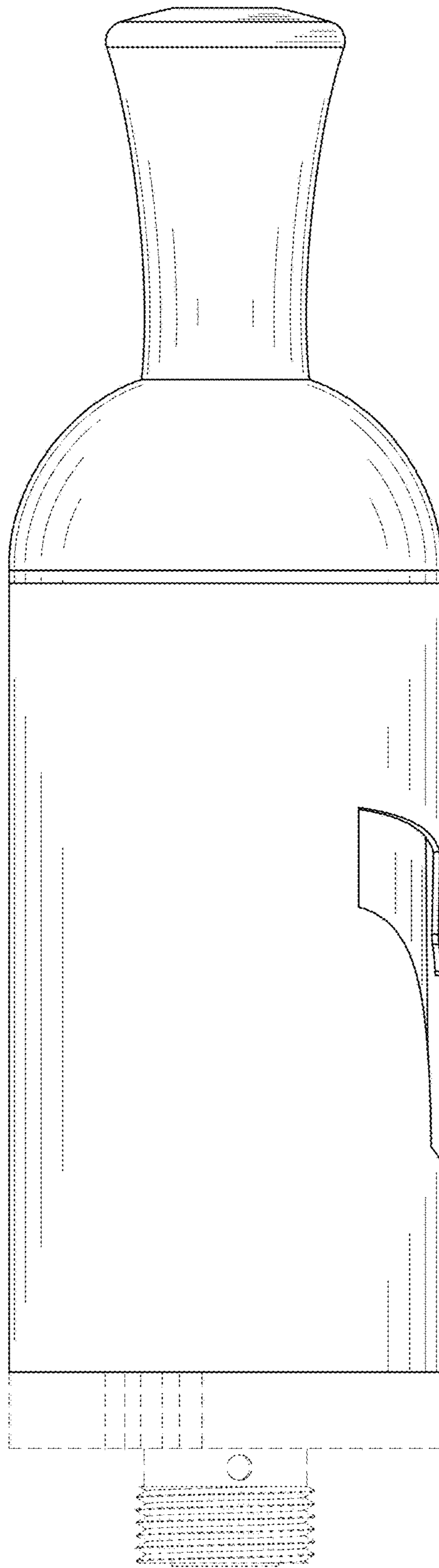


Fig. 3

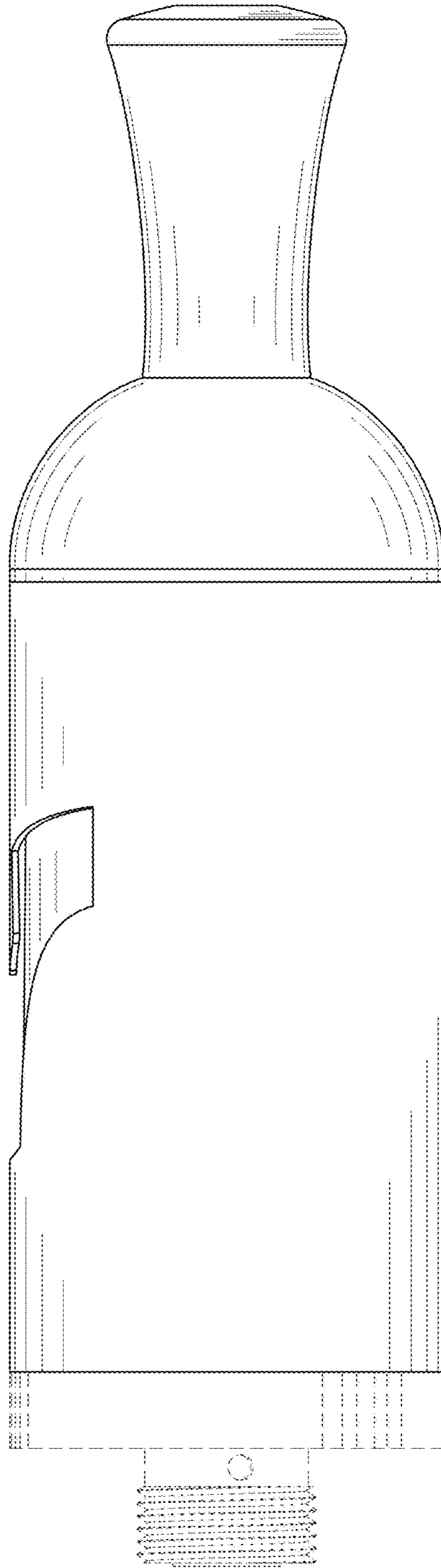


Fig. 4

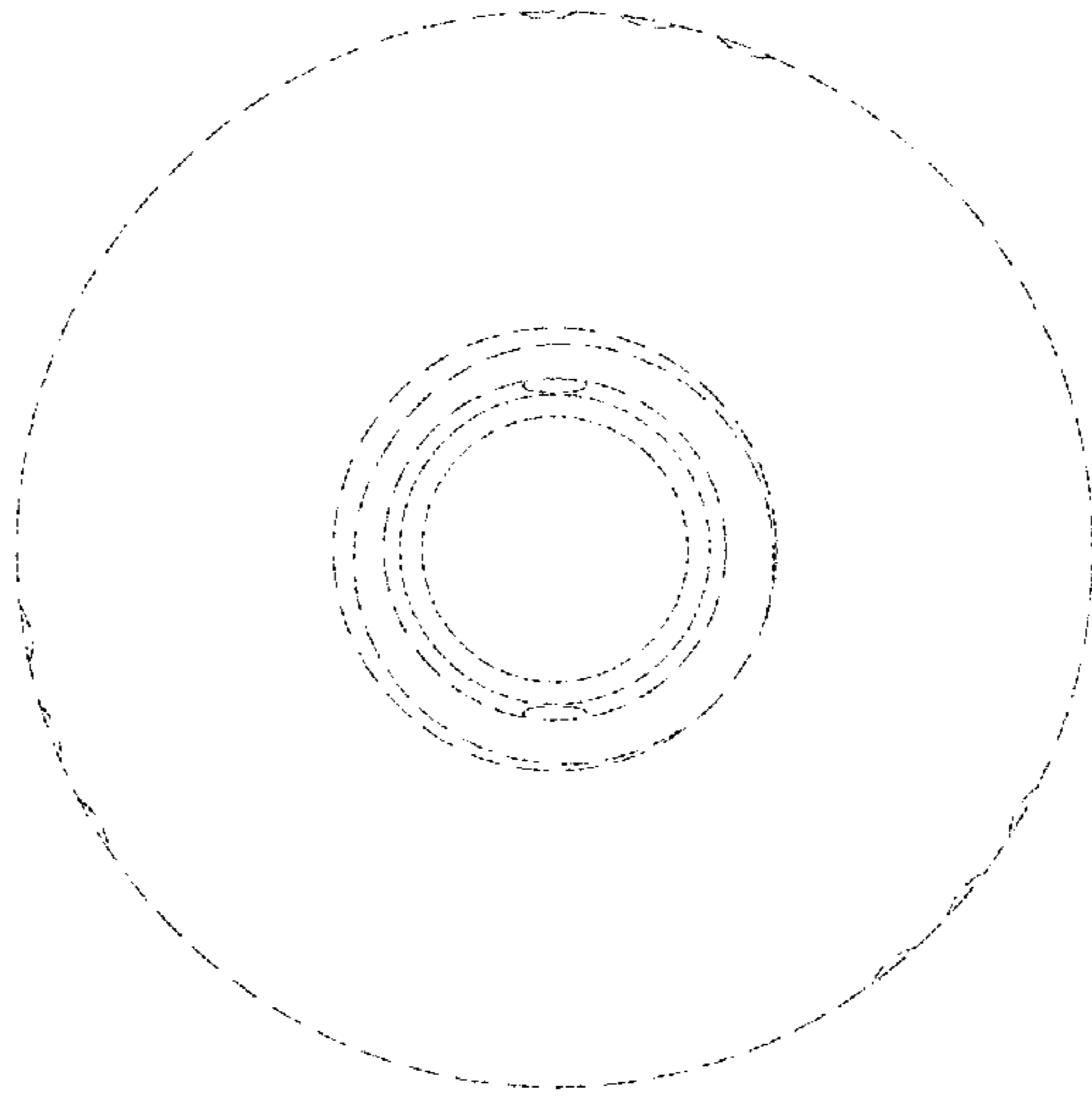


Fig. 5

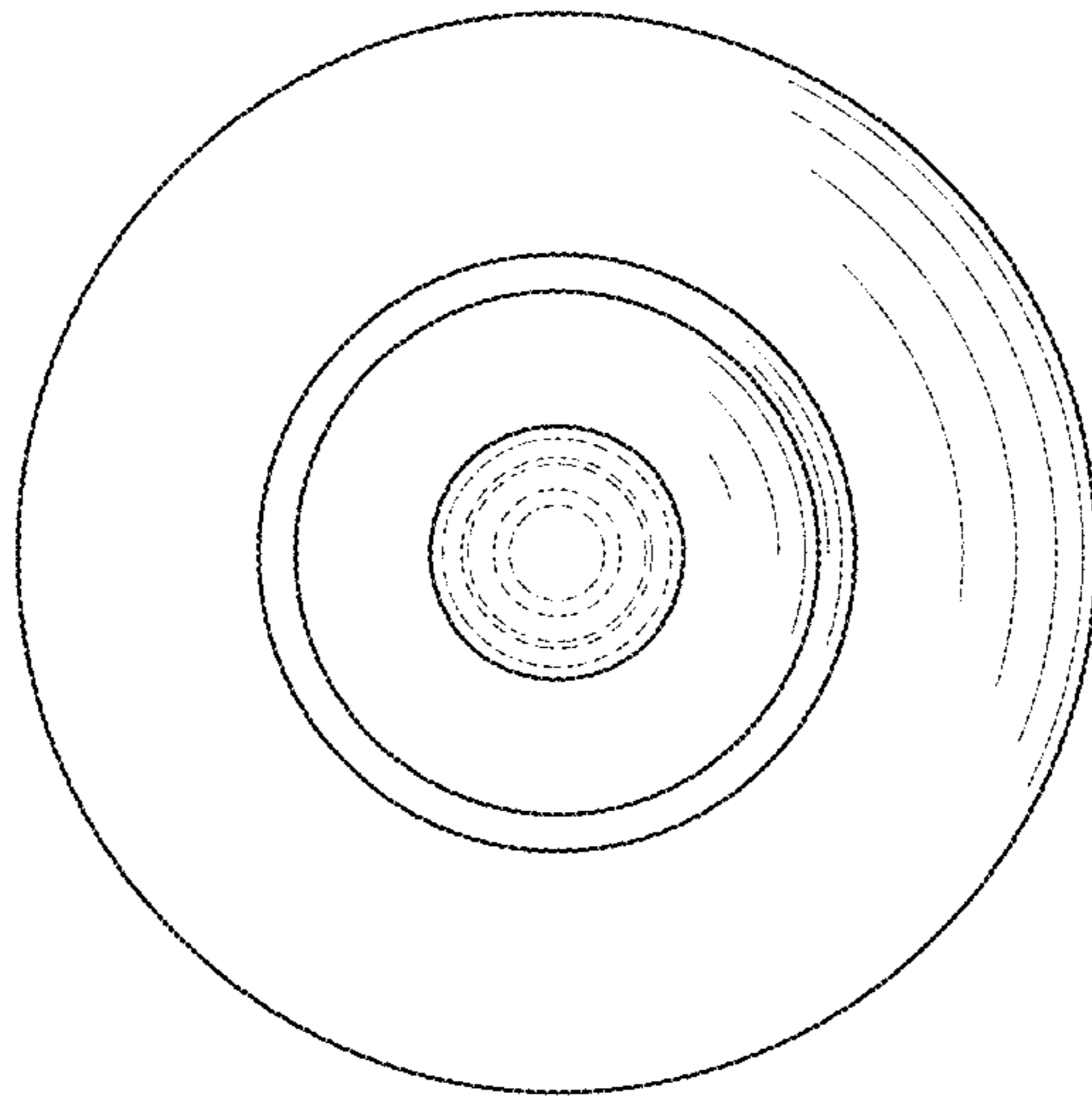


Fig. 6

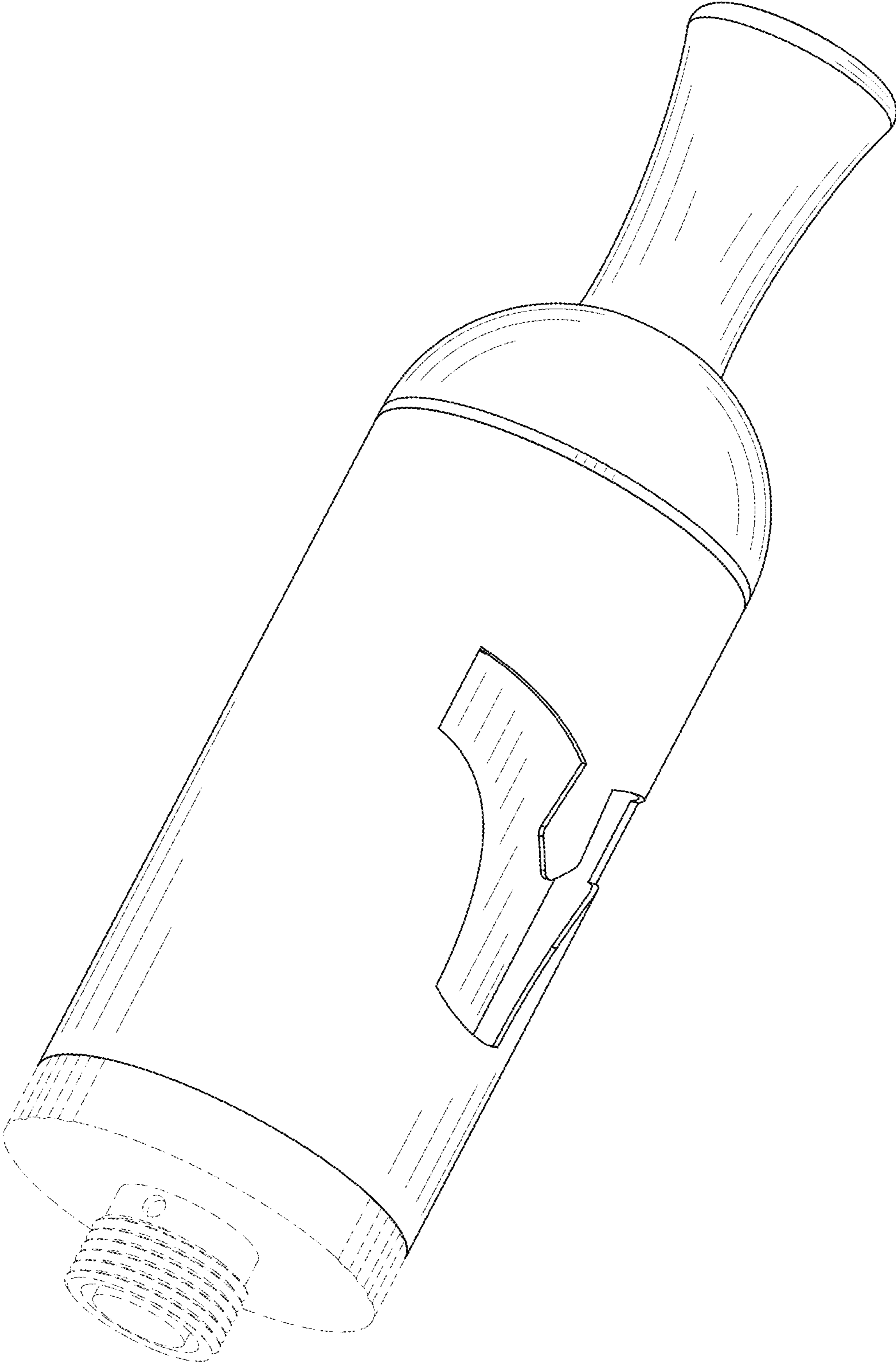


Fig. 7

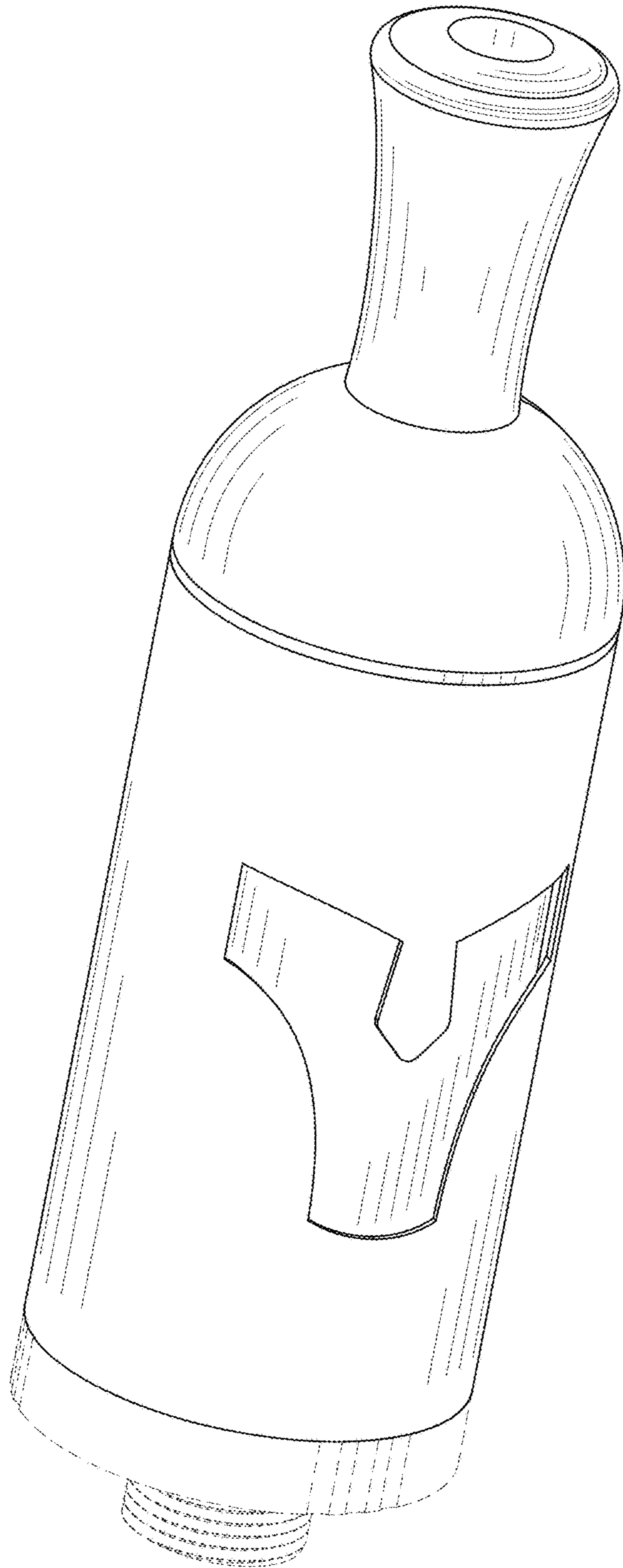


Fig. 8

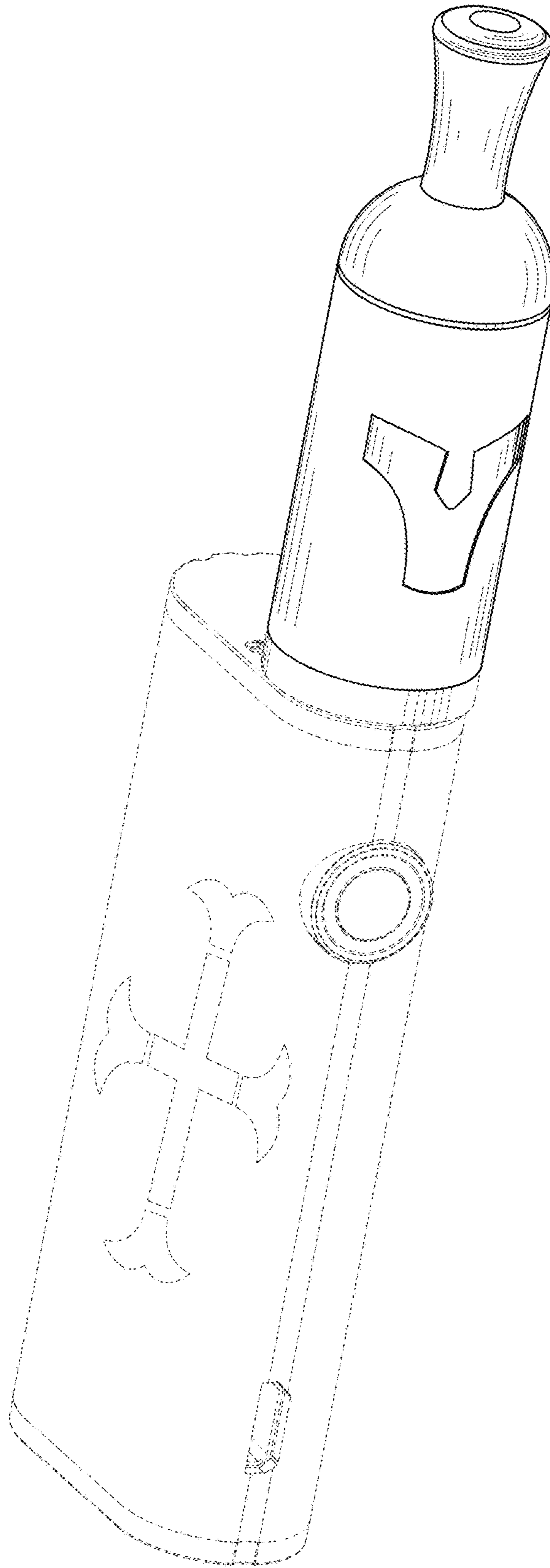


Fig. 9