



US00D800380S

(12) **United States Design Patent**  
**Williams et al.**

(10) **Patent No.:** **US D800,380 S**  
(45) **Date of Patent:** **\*\* Oct. 17, 2017**

- (54) **PORTABLE VAPORIZER**
- (71) Applicant: **NWT Holdings, LLC**, Seattle, WA (US)
- (72) Inventors: **Mark Williams**, San Francisco, CA (US); **Alexander Robinson**, San Francisco, CA (US)
- (73) Assignee: **NWT Holdings LLC**, Seattle, WA (US)
- (\*\*) Term: **15 Years**
- (21) Appl. No.: **29/552,868**
- (22) Filed: **Jan. 26, 2016**
- (51) **LOC (10) Cl.** ..... **27-02**
- (52) **U.S. Cl.**  
USPC ..... **D27/163**
- (58) **Field of Classification Search**  
USPC ..... D27/100, 101, 162, 163-169, 172, 175, D27/186, 189, 193, 194, 195, 136, 137, D27/138  
CPC .. A24F 47/008; A24F 5/00; A24F 7/02; A24F 3/00; A24F 47/002; A24F 15/12; A24F 15/18  
See application file for complete search history.

- 6,761,164 B2 7/2004 Amirpour et al.
- 6,772,756 B2 8/2004 Shayan
- D502,936 S 3/2005 Oas
- D503,467 S 3/2005 Flashinski et al.
- D508,119 S 8/2005 Shayan
- D512,494 S 12/2005 Haranaka
- D513,070 S 12/2005 Haranaka

(Continued)

**OTHER PUBLICATIONS**

Williams et al., co-pending U.S. Appl. No. 29/552,869, filed Jan. 26, 2016.

*Primary Examiner* — Robert M Spear  
*Assistant Examiner* — Marissa J Cash  
(74) *Attorney, Agent, or Firm* — Steven R. Vosen

(57) **CLAIM**

I claim the ornamental design for a portable vaporizer, as shown and described.

**DESCRIPTION**

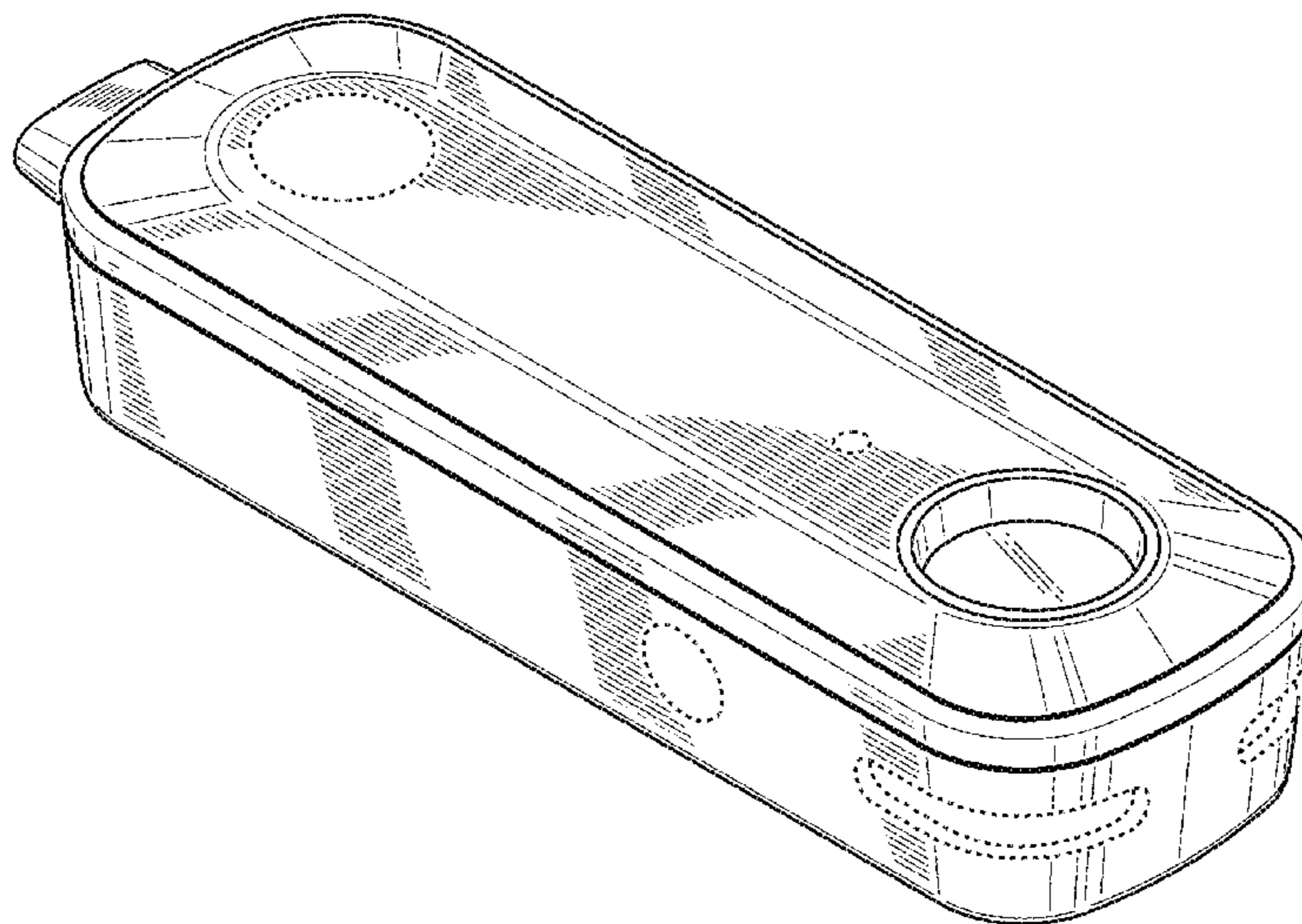
FIG. 1 is an upper left front perspective view of a vaporizer device;  
FIG. 2 is an upper left front perspective view of the vaporizer device of FIG. 1 with the top exploded removed;  
FIG. 3 is a top plan view of the vaporizer device of FIG. 1;  
FIG. 4 is a right side elevational view of the vaporizer device of FIG. 1, where the left side elevational view is a mirror image thereof;  
FIG. 5 is a front elevational view of the vaporizer device of FIG. 1;  
FIG. 6 is a rear elevational view of the vaporizer device of FIG. 1; and,  
FIG. 7 is a bottom plan view of the vaporizer device of FIG. 1.  
The broken lines which define the bounds of the claimed design form no part thereof.

**1 Claim, 4 Drawing Sheets**

(56) **References Cited**

**U.S. PATENT DOCUMENTS**

- 4,303,083 A 12/1981 Burruss, Jr.
- 5,388,594 A 2/1995 Counts et al.
- 5,464,026 A 11/1995 Gardner et al.
- 5,564,442 A 10/1996 MacDonald et al.
- D415,266 S 10/1999 Glattstein
- 6,095,153 A 8/2000 Kessler et al.
- D433,532 S \* 11/2000 Higgins ..... D27/186
- 6,250,301 B1 6/2001 Pate
- D446,849 S 8/2001 Weinberg
- 6,513,524 B1 2/2003 Storz
- 6,598,607 B2 7/2003 Adiga et al.
- D489,448 S 5/2004 Shayan



(56)

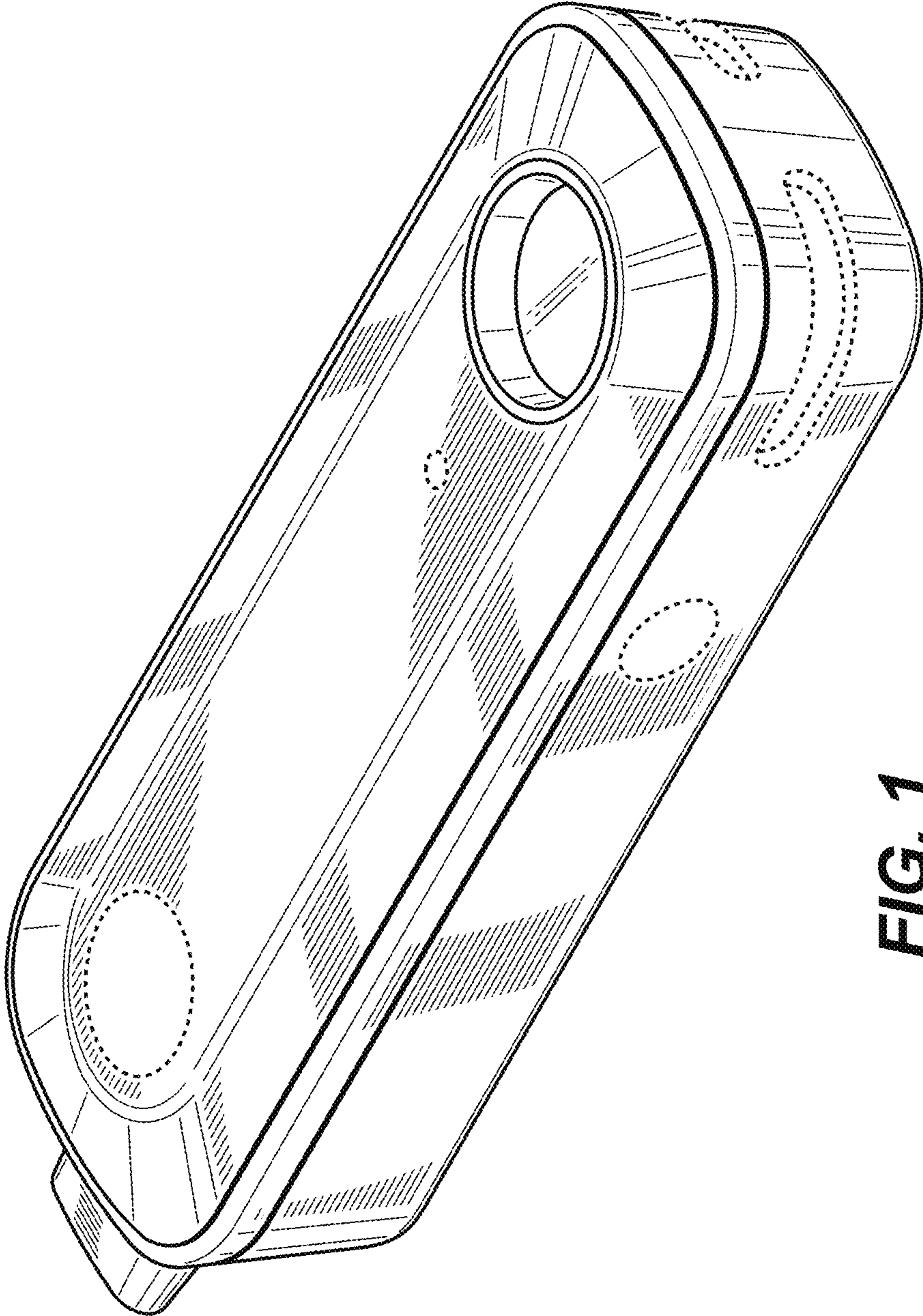
References Cited

U.S. PATENT DOCUMENTS

6,990,978 B2 1/2006 Shayan  
 D523,414 S 6/2006 Kobayashi  
 D532,406 S 11/2006 Lee  
 D536,090 S 1/2007 Nelson  
 D539,883 S 4/2007 Lee et al.  
 D575,860 S 8/2008 Wu  
 D581,506 S 11/2008 Kelnhofer  
 D583,450 S 12/2008 Choi  
 D584,281 S 1/2009 Kim et al.  
 7,490,613 B2 2/2009 Iordan  
 D593,406 S \* 6/2009 Verebelyi ..... D27/189  
 D603,033 S 10/2009 Kelnhofer  
 7,753,055 B2 \* 7/2010 Bryman ..... A24F 3/00  
 131/184.2  
 D625,398 S 10/2010 Choi  
 D630,794 S \* 1/2011 Cohen Harel ..... D27/195  
 D633,610 S 3/2011 Wu  
 7,905,236 B2 3/2011 Bryman et al.  
 D636,474 S 4/2011 Choi et al.  
 D640,649 S 6/2011 Luo  
 D640,650 S 6/2011 Luo  
 D656,230 S 3/2012 Robinson et al.  
 D657,857 S 4/2012 Choi  
 D662,578 S 6/2012 Blanking et al.  
 D664,636 S 7/2012 Robinson et al.  
 D677,774 S 3/2013 Postma  
 D687,768 S \* 8/2013 Minamikawa ..... D13/107  
 D689,999 S 9/2013 Viala  
 D705,918 S 5/2014 Robinson et al.  
 D716,428 S 10/2014 Farone et al.

8,881,738 B2 \* 11/2014 Bryman ..... A24F 3/00  
 131/184.2  
 D730,572 S \* 5/2015 Leidel ..... D27/163  
 D736,455 S \* 8/2015 Liu ..... D27/189  
 D742,492 S 11/2015 Robinson et al.  
 D748,328 S \* 1/2016 Choi ..... D27/167  
 D753,338 S \* 4/2016 Chen ..... D27/162  
 D756,563 S \* 5/2016 Joyce, III ..... D27/189  
 D758,004 S \* 5/2016 Freshwater ..... D27/163  
 D758,656 S \* 6/2016 Freshwater ..... D27/163  
 D759,302 S \* 6/2016 Gadas ..... D19/10  
 D770,678 S \* 11/2016 Shin ..... D27/163  
 D771,867 S \* 11/2016 Leidel ..... D27/163  
 D772,477 S \* 11/2016 Smith ..... D27/163  
 D775,414 S \* 12/2016 Ampolini ..... D13/108  
 D779,115 S \* 2/2017 Stoll ..... D27/153  
 D785,862 S \* 5/2017 Wu ..... D27/167  
 2004/0163643 A1 8/2004 Wesner  
 2007/0280652 A1 12/2007 Williams  
 2007/0283972 A1 12/2007 Monsees et al.  
 2008/0023003 A1 1/2008 Rosenthal  
 2008/0257367 A1 10/2008 Paterno et al.  
 2009/0260641 A1 10/2009 Monsees et al.  
 2009/0260642 A1 10/2009 Monsees et al.  
 2009/0293888 A1 12/2009 Williams et al.  
 2009/0293892 A1 12/2009 Williams et al.  
 2010/0024834 A1 2/2010 Oglesby et al.  
 2010/0163063 A1 7/2010 Fernando et al.  
 2010/0322599 A1 12/2010 Landry  
 2011/0073121 A1 3/2011 Levin et al.  
 2015/0128967 A1 \* 5/2015 Robinson ..... A24F 47/008  
 131/328  
 2017/0050798 A1 \* 2/2017 Ludewig ..... B65D 85/54  
 2017/0119044 A1 \* 5/2017 Oligschlaeger ..... A24F 15/00

\* cited by examiner



**FIG. 1**

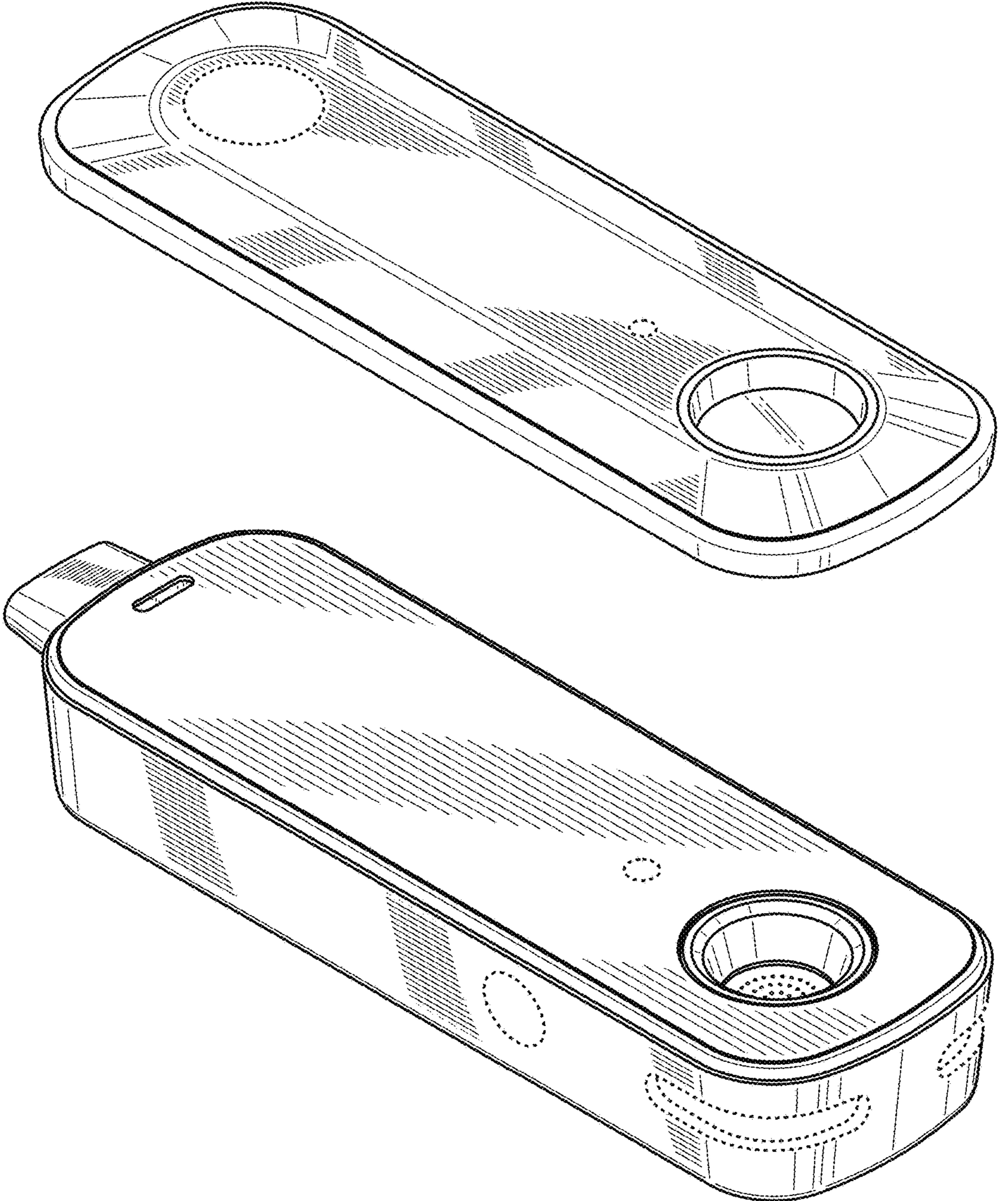
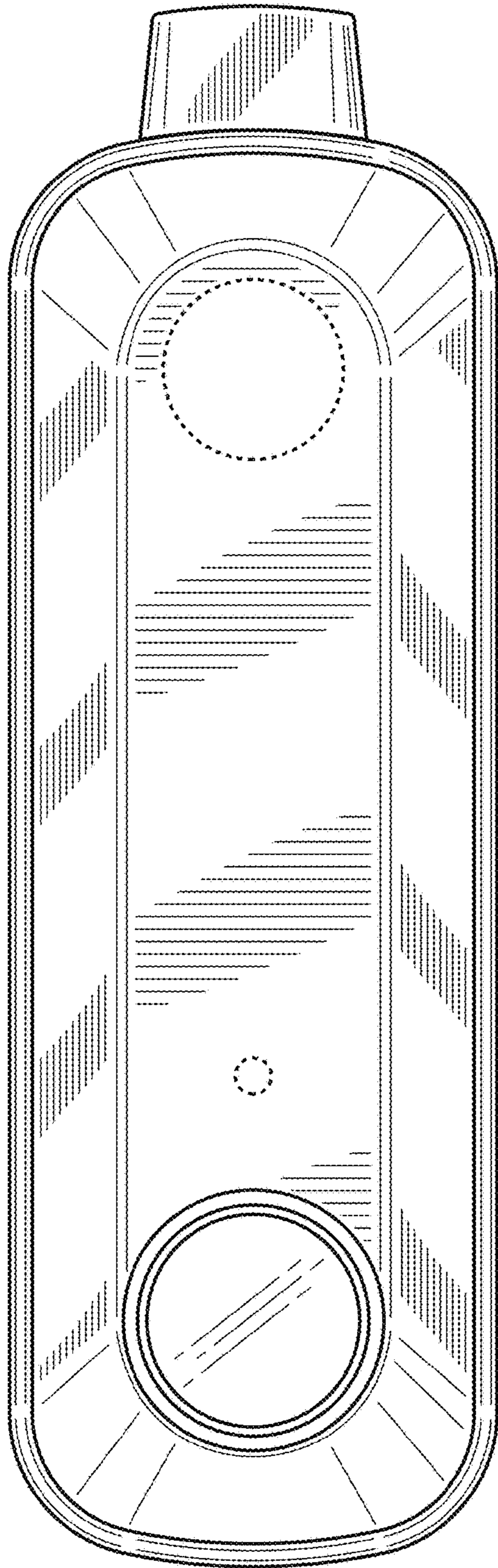
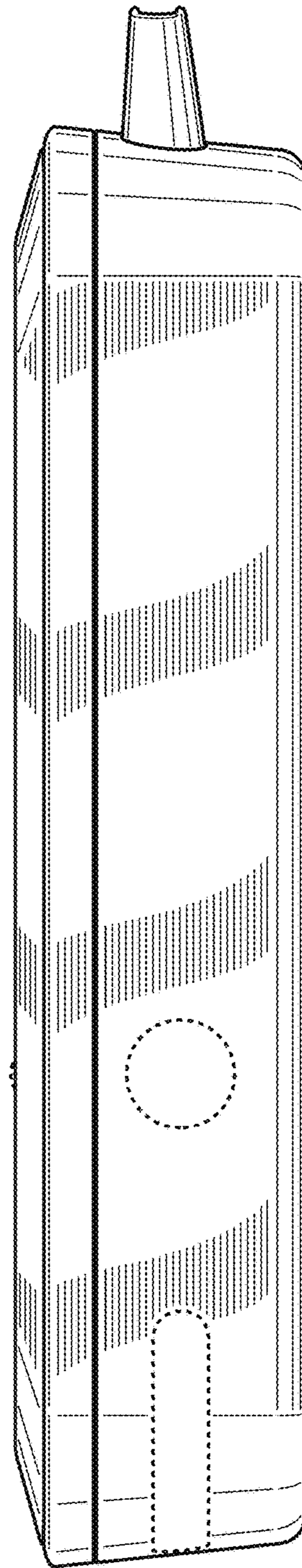


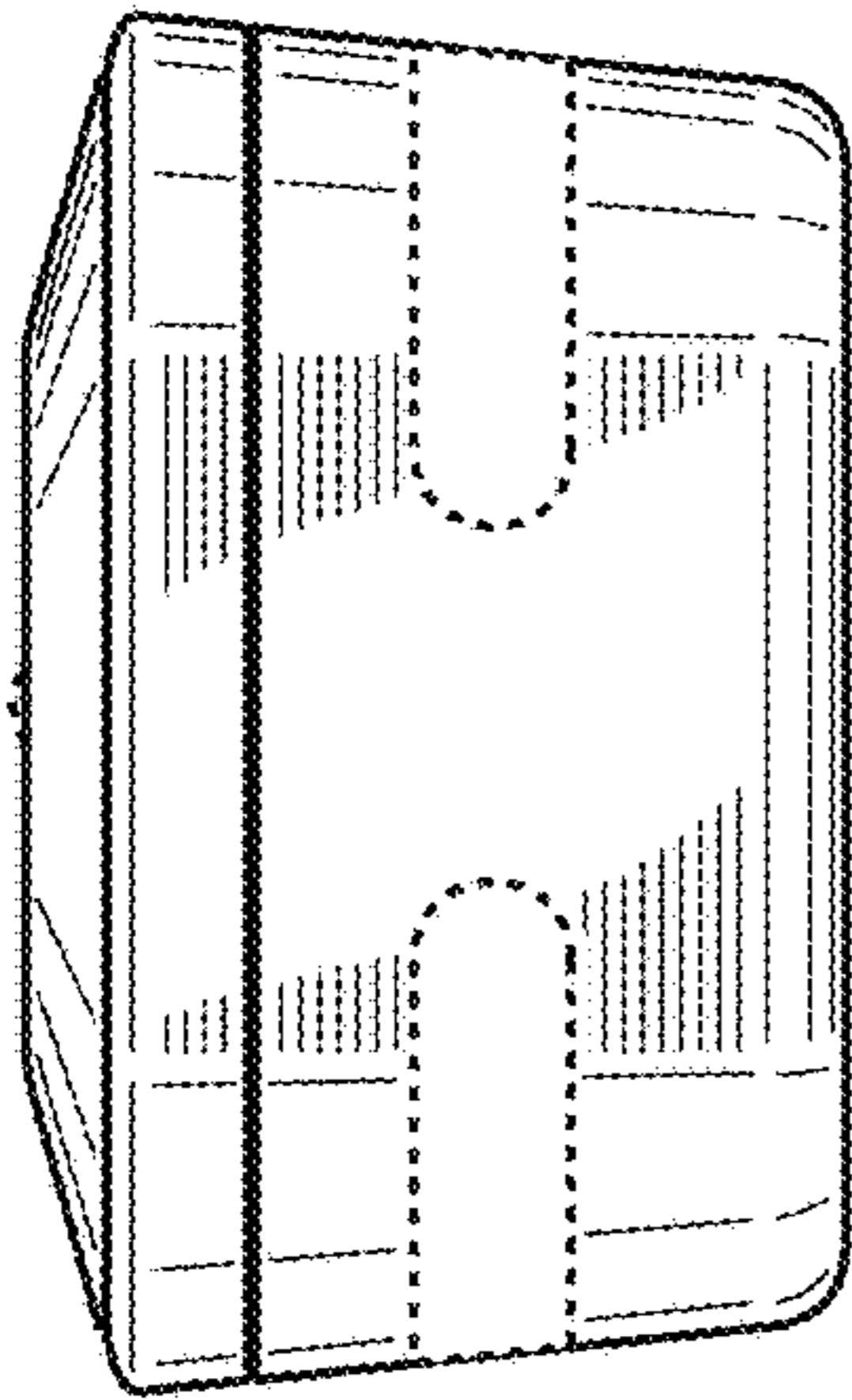
FIG. 2



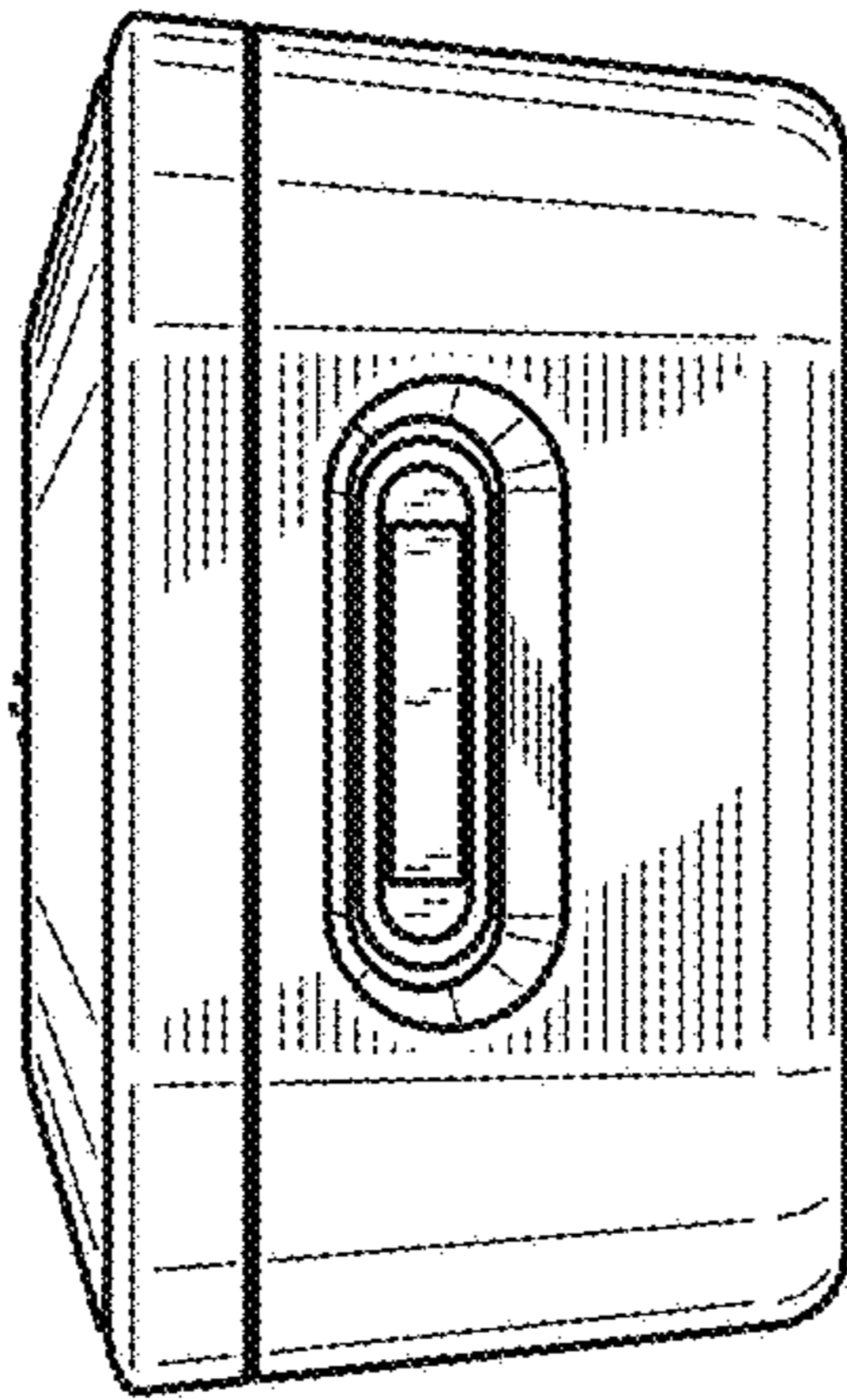
**FIG. 3**



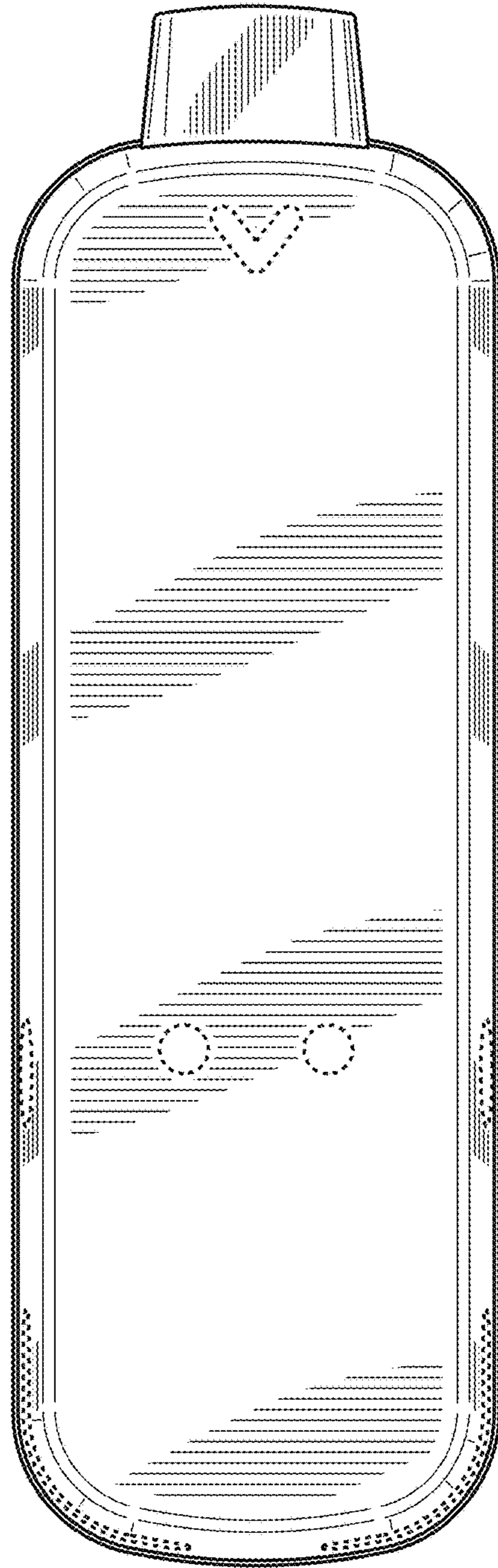
**FIG. 4**



**FIG. 5**



**FIG. 6**



**FIG. 7**