



US00D800379S

(12) **United States Design Patent**  
**Fang**

(10) **Patent No.:** **US D800,379 S**

(45) **Date of Patent:** **\*\* Oct. 17, 2017**

(54) **VAPE PEN WITH A USB CHARGER**

(71) Applicant: **Alexander Fang**, Oakland, CA (US)

(72) Inventor: **Alexander Fang**, Oakland, CA (US)

(\*\*) Term: **15 Years**

(21) Appl. No.: **29/565,965**

(22) Filed: **May 25, 2016**

(51) **LOC (10) Cl.** ..... **27-05**

(52) **U.S. Cl.**  
USPC ..... **D27/139**

(58) **Field of Classification Search**  
USPC ..... D27/101, 105, 108, 123, 129, 162-164,  
D27/167, 169, 172, 175, 183, 184, 186,  
D27/187, 189, 190, 193, 194, 195;  
D14/218, 356, 435, 480.1-480.7, 507,  
D14/167, 203.3, 357, 358, 435.1, 483,  
D14/484.1  
CPC ..... H05K 5/0278; G06K 19/07732; A61M  
15/06; A24F 47/00; A24F 47/002; A24F  
47/004; A24F 47/006; A24F 47/008  
See application file for complete search history.

(56) **References Cited**

**U.S. PATENT DOCUMENTS**

D624,012 S \* 9/2010 de Medeiros ..... D13/103  
D639,303 S \* 6/2011 Ni ..... D14/480.7  
D645,866 S \* 9/2011 Schindler ..... D14/435  
D671,115 S \* 11/2012 Phillips ..... D14/301  
D671,123 S \* 11/2012 Ni ..... D14/480.1

D682,841 S \* 5/2013 Suetake ..... D14/480.1  
D700,372 S \* 2/2014 Altman ..... D14/435.1  
D729,277 S \* 5/2015 Uchida ..... D14/435.1  
D736,704 S \* 8/2015 Liu ..... D13/108  
D749,510 S \* 2/2016 Liu ..... D13/108  
D759,031 S \* 6/2016 Ozolins ..... D14/480.5  
D768,140 S \* 10/2016 Daniel ..... D14/480.1  
2009/0042433 A1 \* 2/2009 Bushby ..... H01R 13/4538  
439/352

\* cited by examiner

*Primary Examiner* — Eric Goodman

*Assistant Examiner* — Jennifer Campbell

(74) *Attorney, Agent, or Firm* — Quickpatents, LLC;  
Kevin Prince

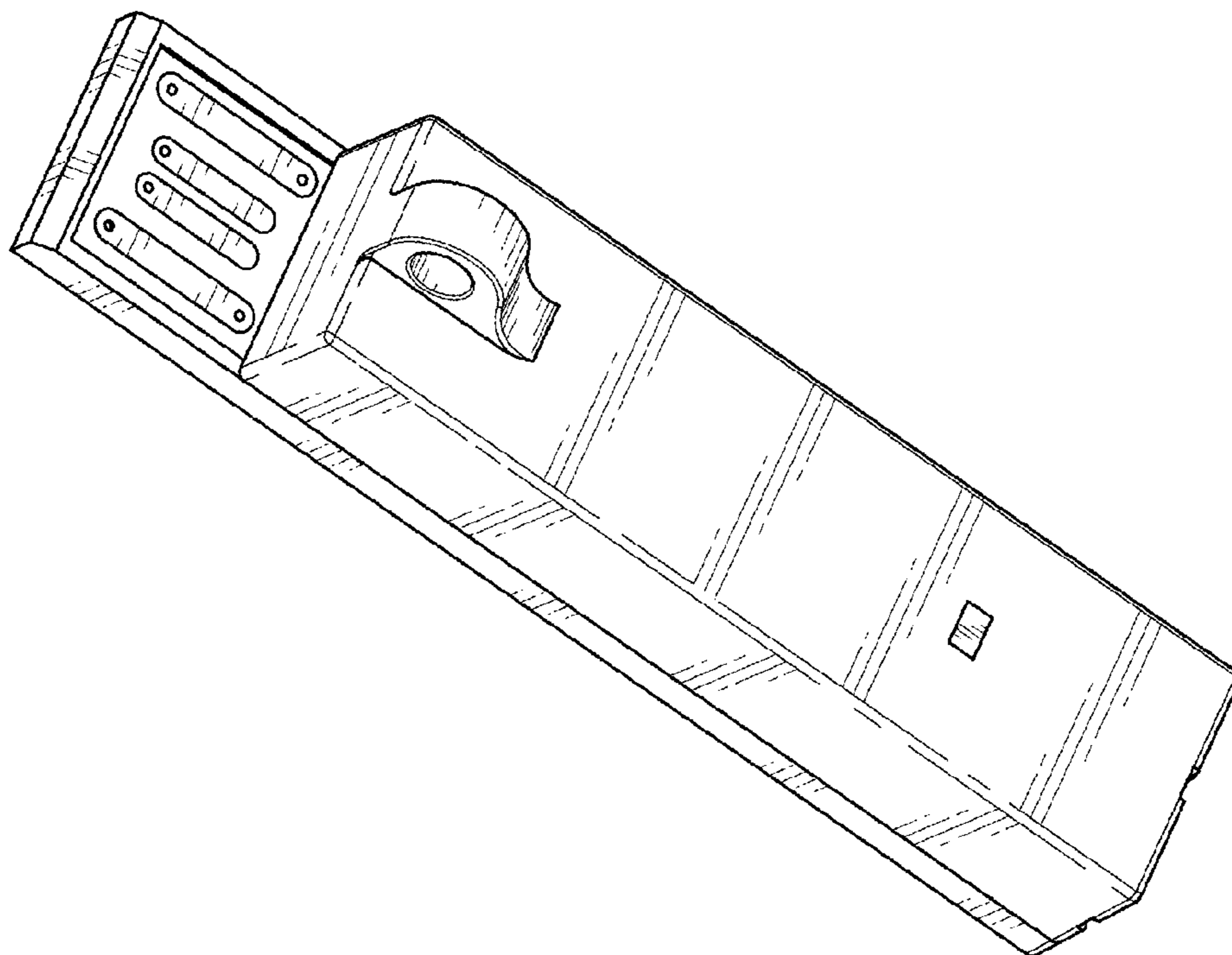
(57) **CLAIM**

I claim the ornamental design for a vape pen with a USB charger, as shown and described.

**DESCRIPTION**

FIG. 1 is a rear perspective view of a vape pen with a USB charger, showing my new design;  
FIG. 2 is an enlarged, front perspective view thereof;  
FIG. 3 is a top plan view of FIG. 2;  
FIG. 4 is a left-side elevational view of FIG. 2;  
FIG. 5 is a front elevational view of FIG. 2;  
FIG. 6 is a rear elevational view of FIG. 2; and,  
FIG. 7 is a right-side elevational view of FIG. 2, the left-side elevational view being a mirror image thereof.  
The broken lines in FIGS. 1 and 6 depict parts of the vape pen with a USB Charger that form no part of the claimed design.

**1 Claim, 4 Drawing Sheets**



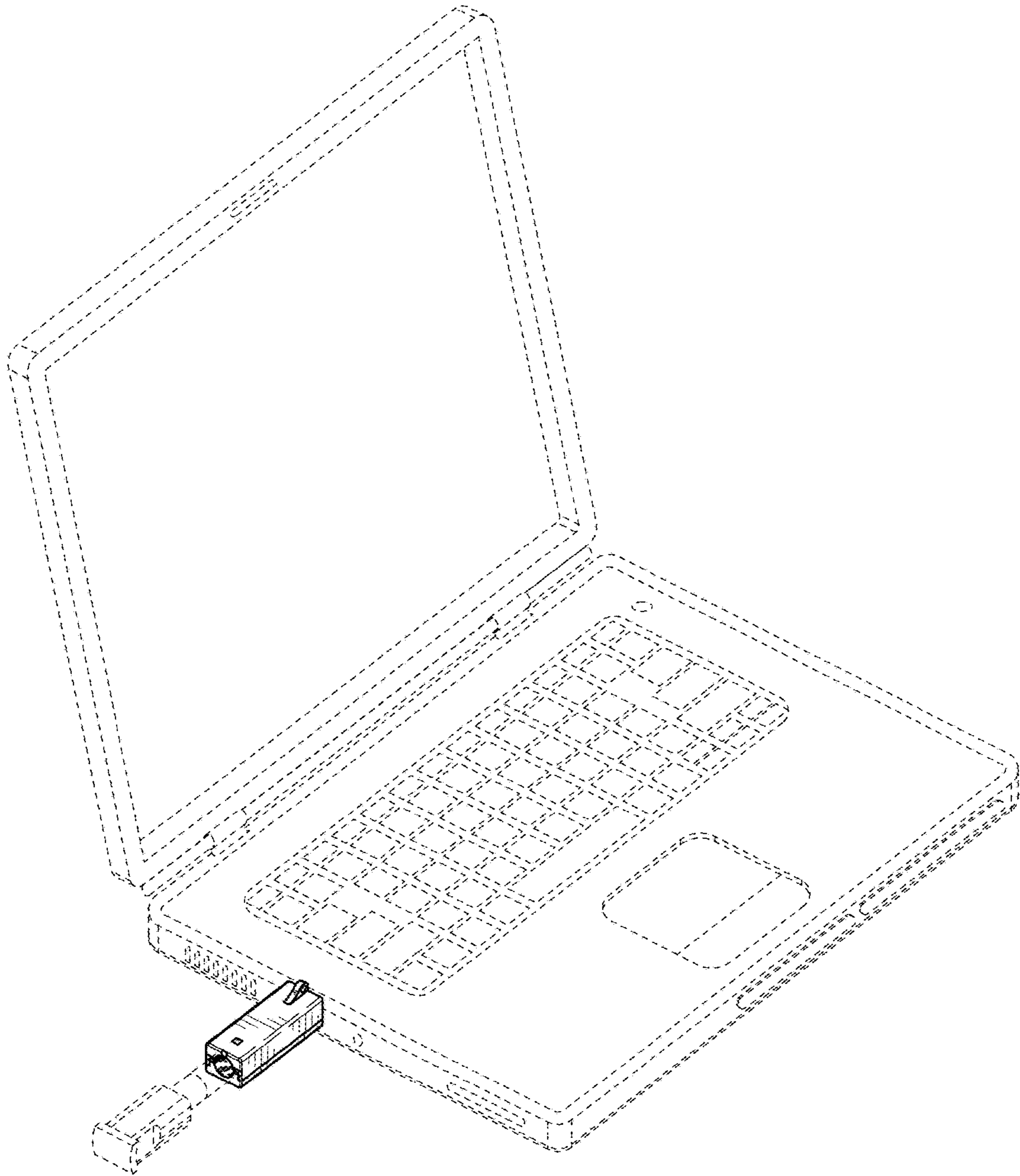


FIG. 1

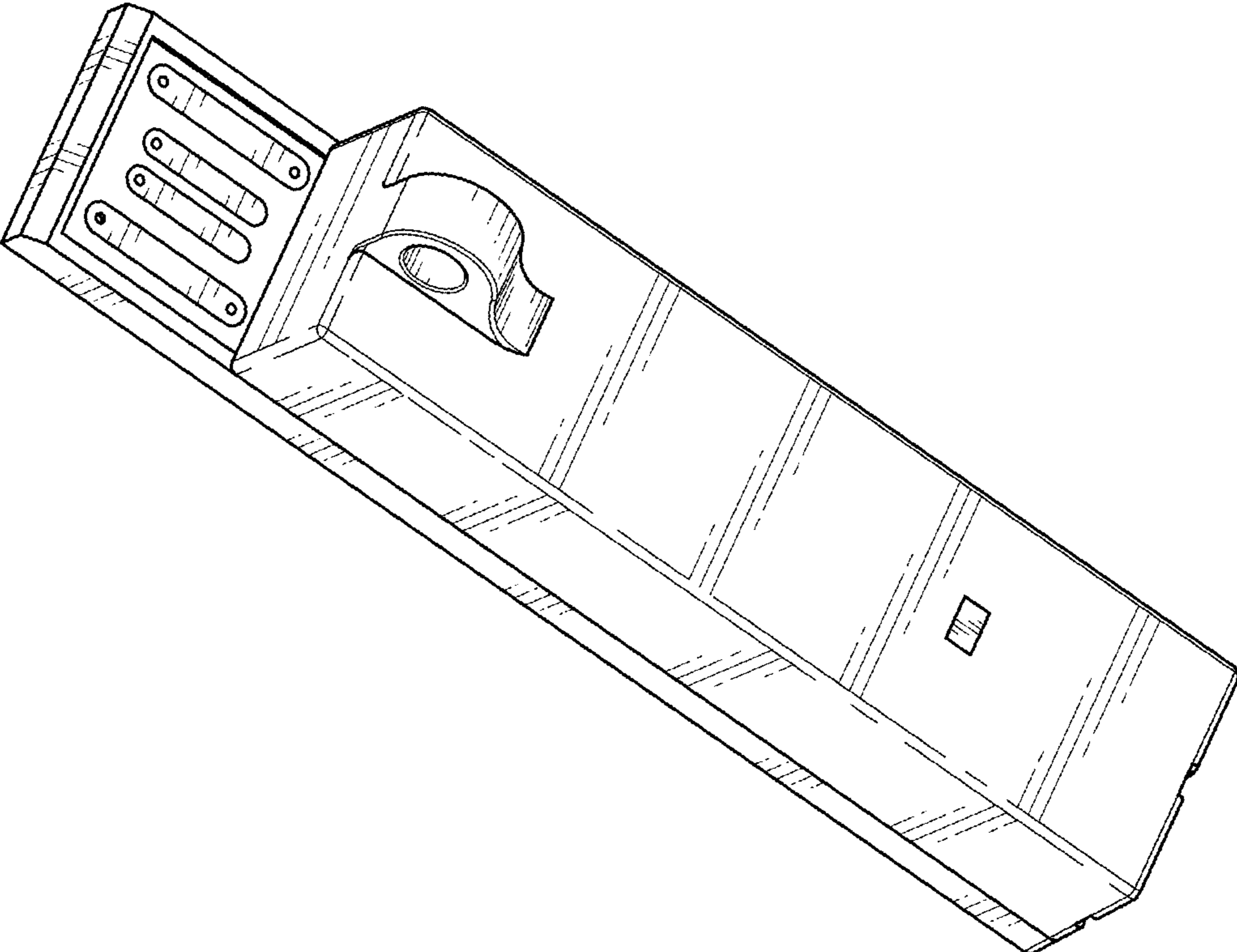


FIG. 2

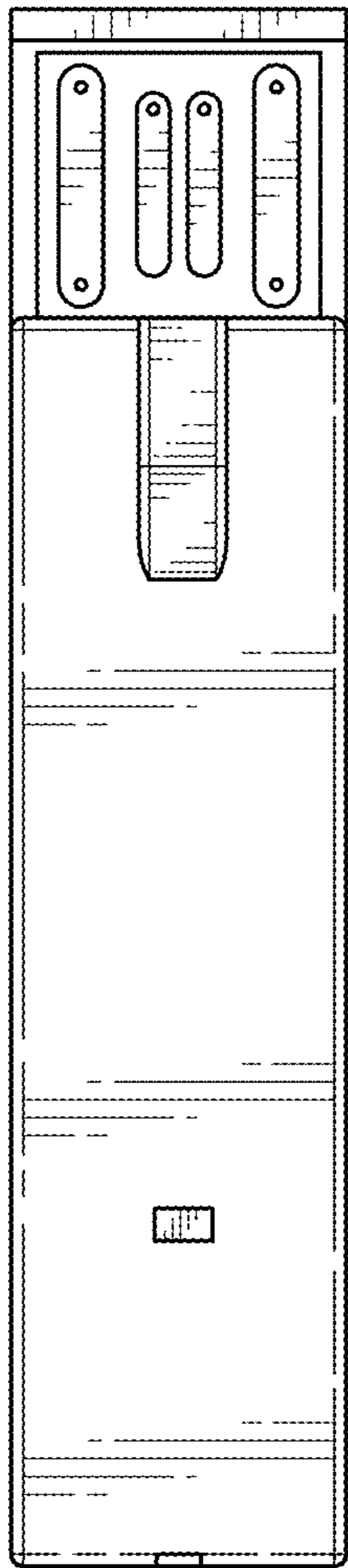


FIG. 3

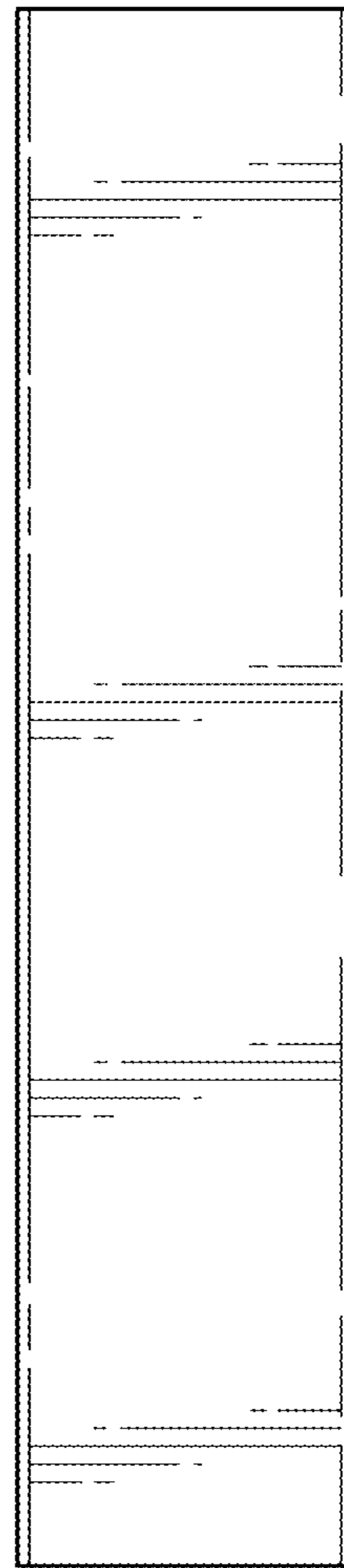


FIG. 4

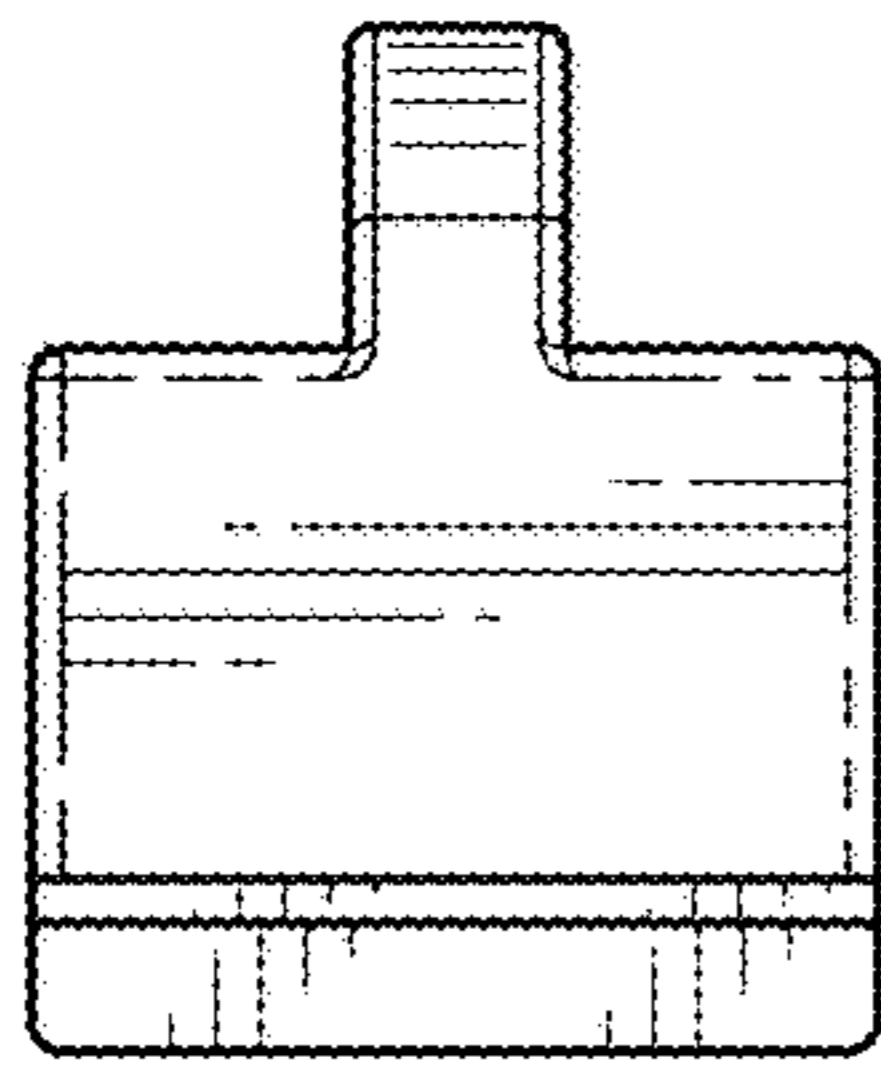


FIG. 5

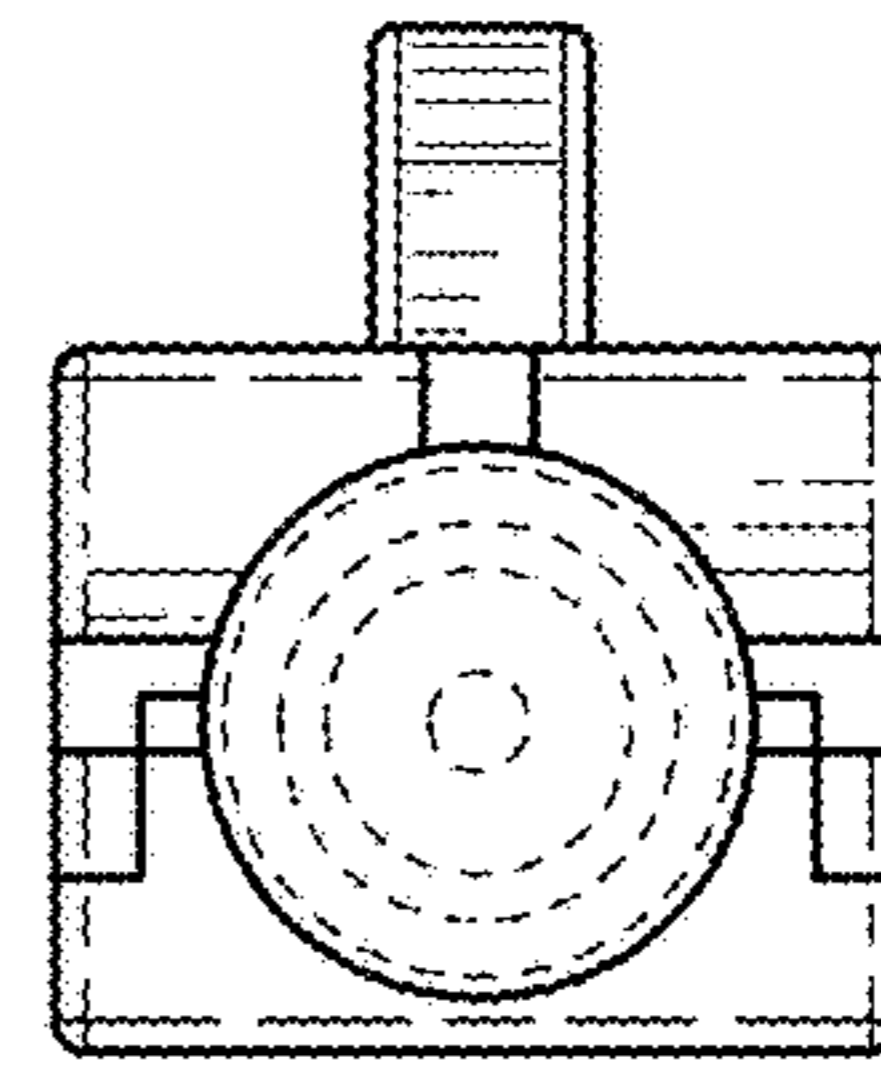


FIG. 6

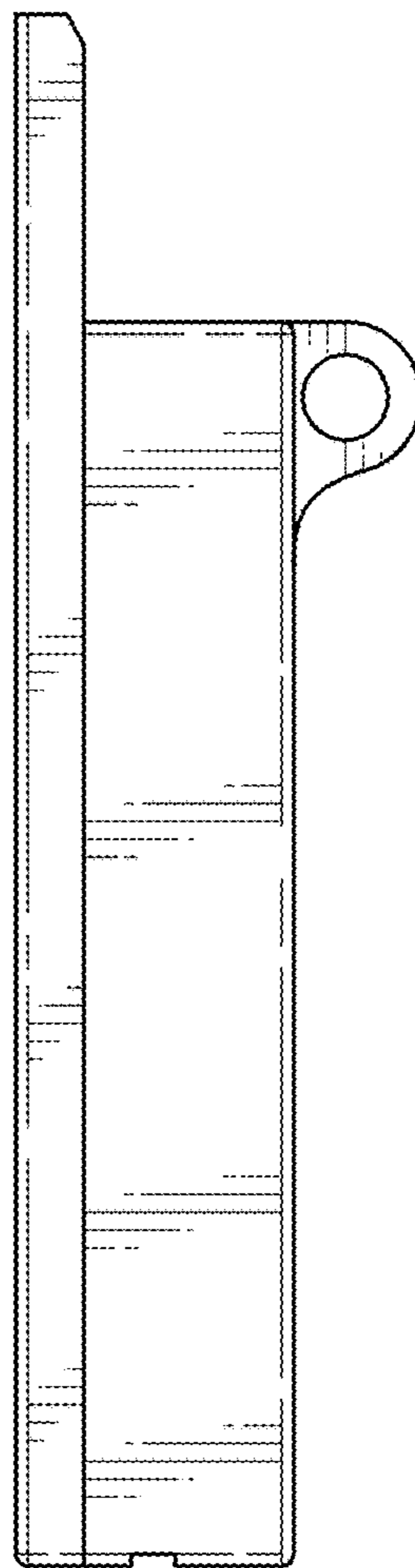


FIG. 7