



US00D800378S

(12) **United States Design Patent**
Bennett

(10) **Patent No.:** **US D800,378 S**

(45) **Date of Patent:** **** Oct. 17, 2017**

(54) **SNUFFER TOOL**

(71) Applicant: **Don Bennett**, Sevierville, TN (US)

(72) Inventor: **Don Bennett**, Sevierville, TN (US)

(**) Term: **15 Years**

(21) Appl. No.: **29/540,554**

(22) Filed: **Sep. 25, 2015**

(51) **LOC (10) Cl.** **27-03**

(52) **U.S. Cl.**
USPC **D27/136**

(58) **Field of Classification Search**
USPC D27/100, 101, 162, 163-169, 172, 175,
D27/186, 189, 193, 194, 195, 136, 137,
D27/138; D10/22, 23; D6/309, 310;
D9/443
CPC .. A24D 1/025; A24D 1/10; A24F 5/00; A24F
7/02; A24F 3/00; A24F 47/002; A24F
15/12; A24F 15/18; A24F 47/008
See application file for complete search history.

D612,235 S * 3/2010 Cresswell D9/443
D632,574 S * 2/2011 Huntington D9/443
D635,457 S * 4/2011 Lane D7/510
D637,414 S * 5/2011 Butcher D6/309
8,136,686 B2 * 3/2012 Schlatter A44B 15/005
220/212.5
D656,840 S * 4/2012 Tacconi D9/443
D699,952 S * 2/2014 Yang D6/309
D739,074 S * 9/2015 Bennett
D742,064 S * 10/2015 Leidel D27/167
D742,585 S * 11/2015 Bennett D27/136
D742,586 S * 11/2015 Bennett D27/136
D760,950 S * 7/2016 Bennett D27/134
D760,951 S * 7/2016 Bennett D27/136

* cited by examiner

Primary Examiner — Robert M Spear
Assistant Examiner — Marissa J Cash
(74) *Attorney, Agent, or Firm* — Quickpatents, LLC;
Kevin Prince

(57) **CLAIM**

I claim the ornamental design for a snuffer tool, as shown and described.

(56) **References Cited**

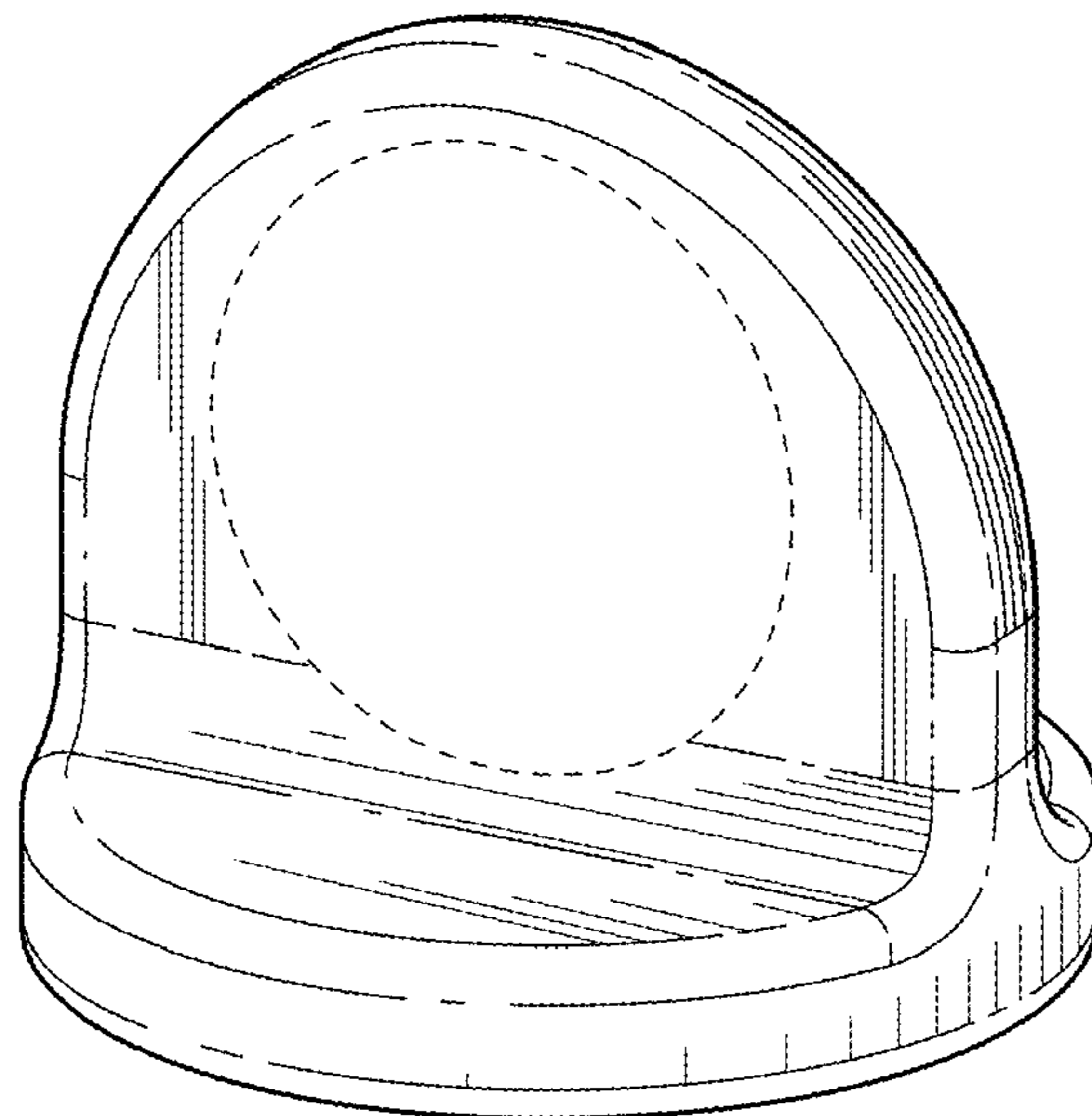
U.S. PATENT DOCUMENTS

D37,587 S * 10/1905 McGraw D10/23
D93,727 S * 10/1934 Lux D10/23
D237,147 S * 10/1975 Thomas D10/23
D238,644 S * 2/1976 Pasquarella D6/309
4,101,042 A * 7/1978 Strong A61J 9/00
206/806
D332,379 S * 1/1993 Murphy D7/391
D372,626 S * 8/1996 Joergensen D7/317
D454,066 S * 3/2002 Trabal D9/443
D458,133 S * 6/2002 Berish D9/443
D486,963 S * 2/2004 Prince D6/309
D519,380 S * 4/2006 Leoncavallo D7/511
D568,740 S * 5/2008 Williams D9/436
D588,823 S * 3/2009 Butcher D6/309
D592,507 S * 5/2009 Wachman D9/443

DESCRIPTION

FIG. 1 is a perspective view of a snuffer tool, showing my new design;
FIG. 2 is a front elevational view thereof, the rear elevational view being a mirror image thereof;
FIG. 3 is a left-side elevational view thereof, the right-side elevational view being a mirror image thereof;
FIG. 4 is a top plan view thereof;
FIG. 5 is a bottom plan view thereof; and,
FIG. 6 is a cross-sectional view of FIG. 4, taken along lines 6-6.
The broken lines in FIGS. 1, 2 and 6 depict portions of the snuffer tool that form no part of the claimed design.

1 Claim, 2 Drawing Sheets



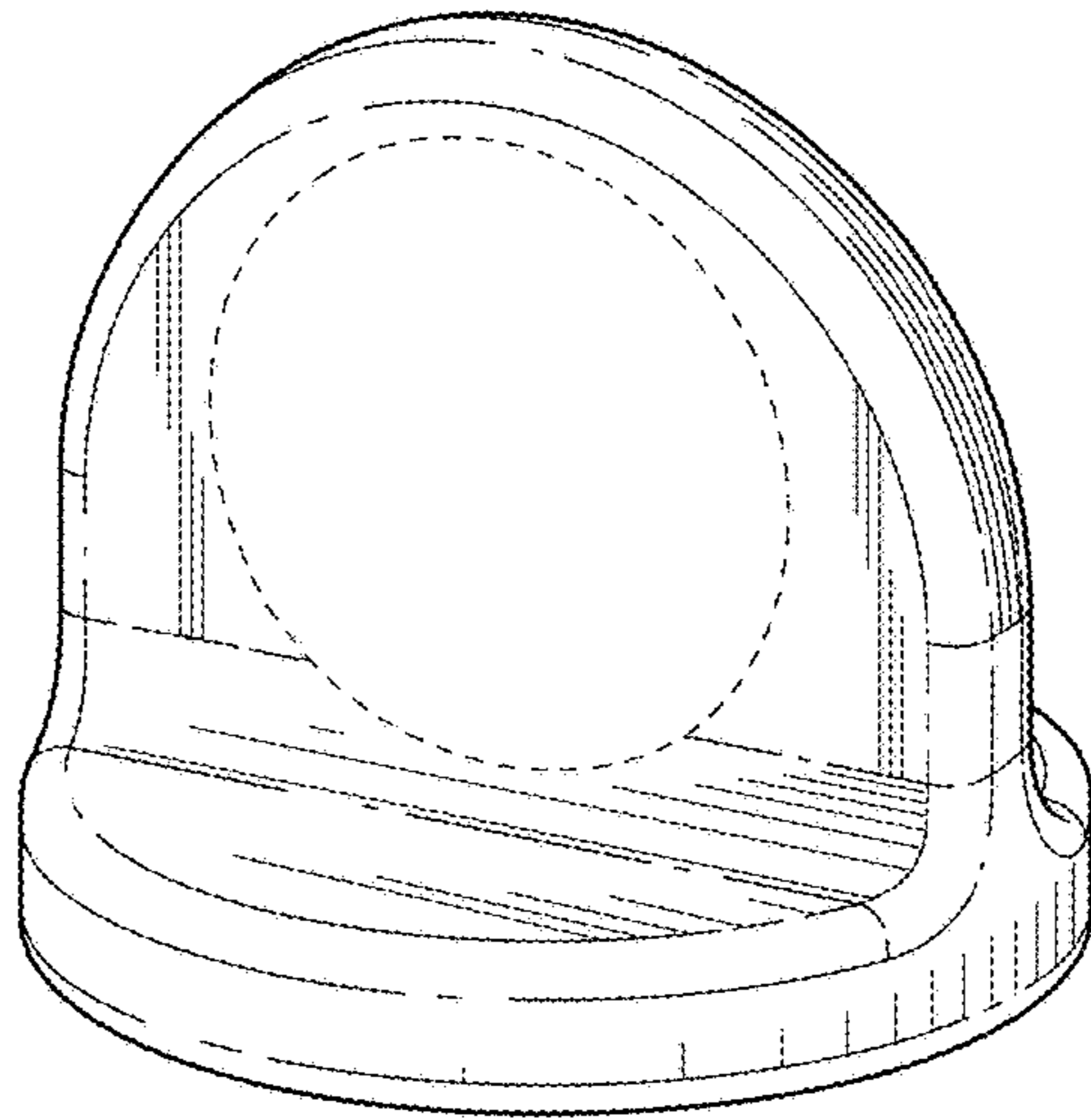


FIG. 1

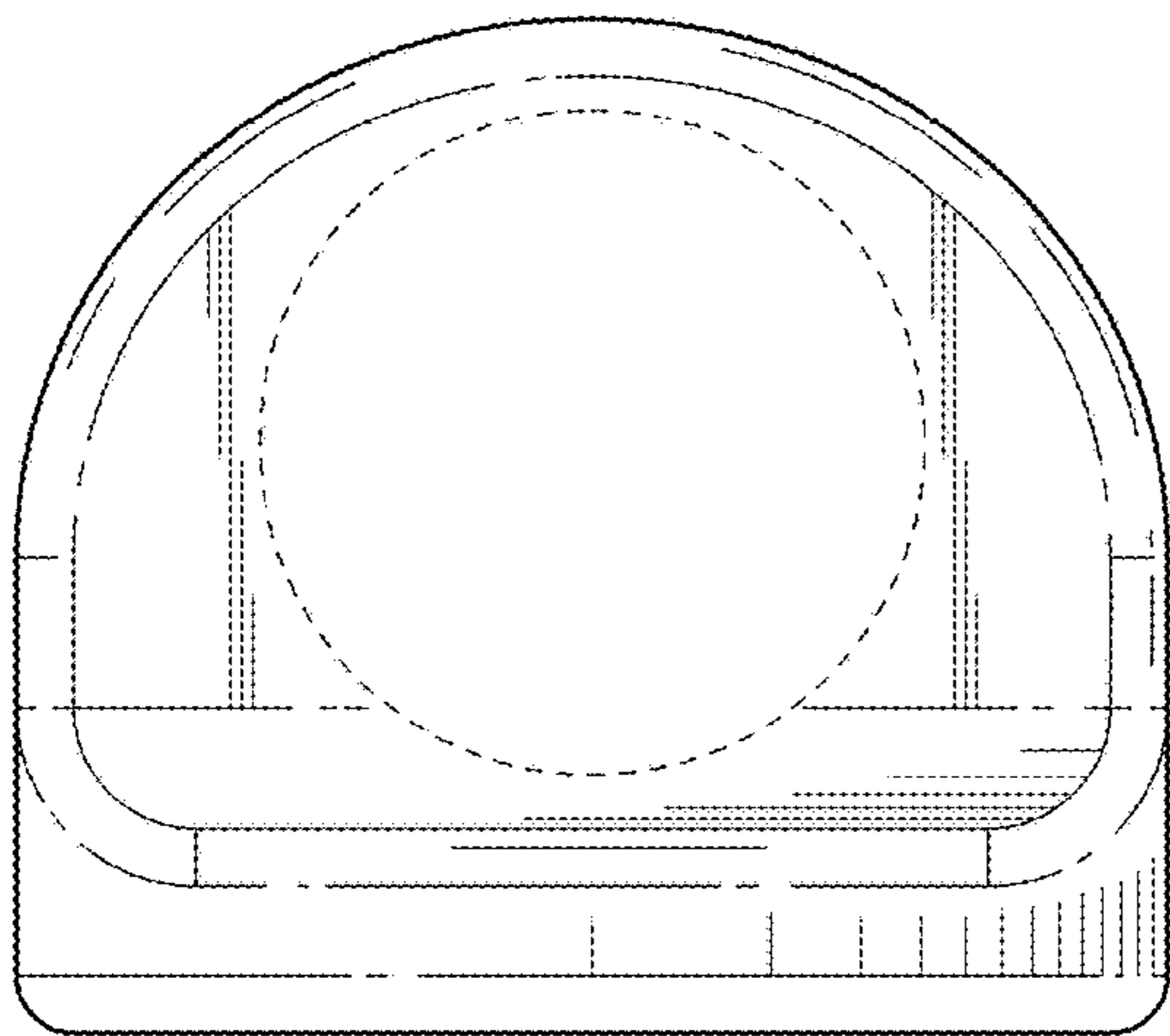


FIG. 2

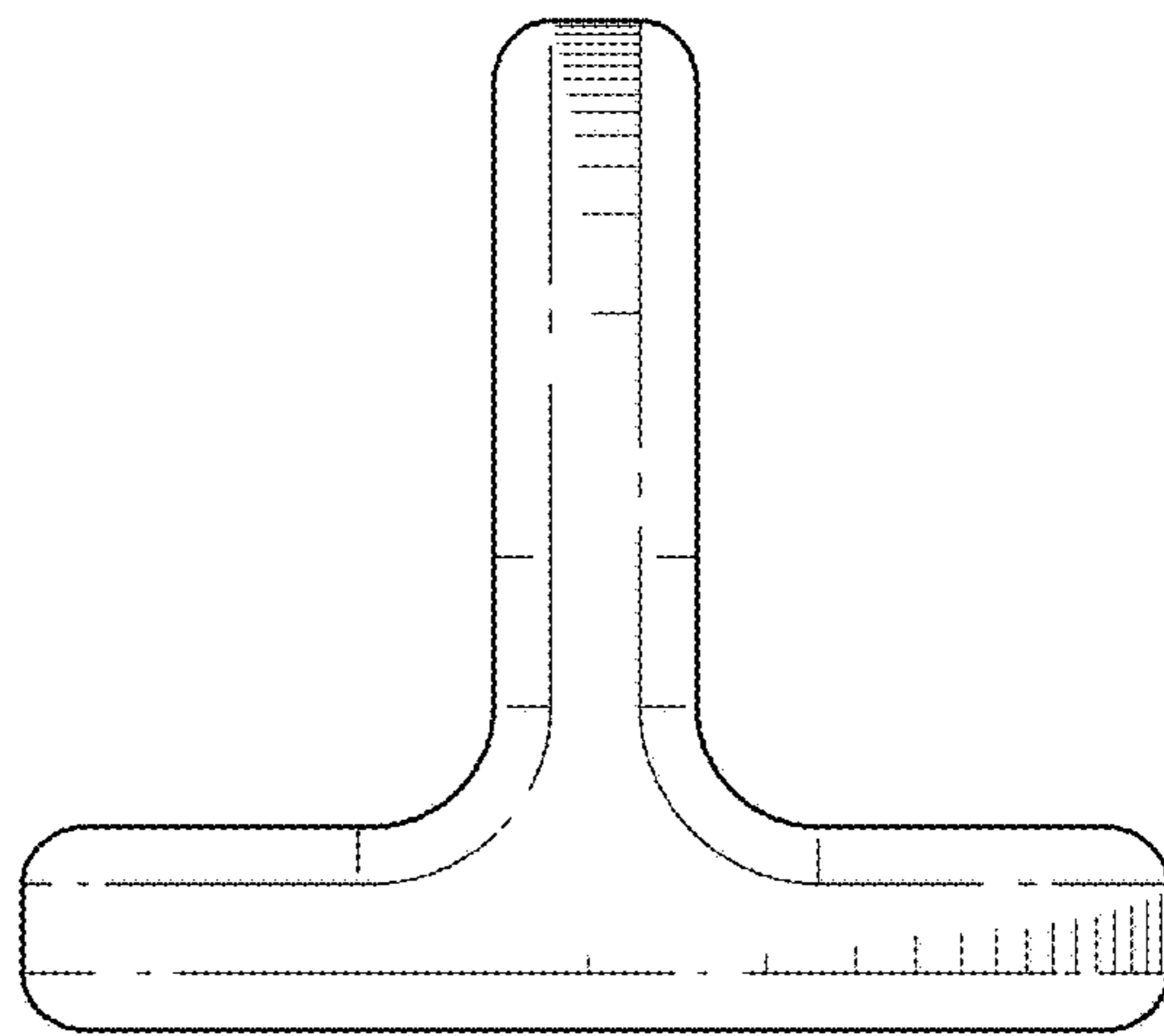


FIG. 3

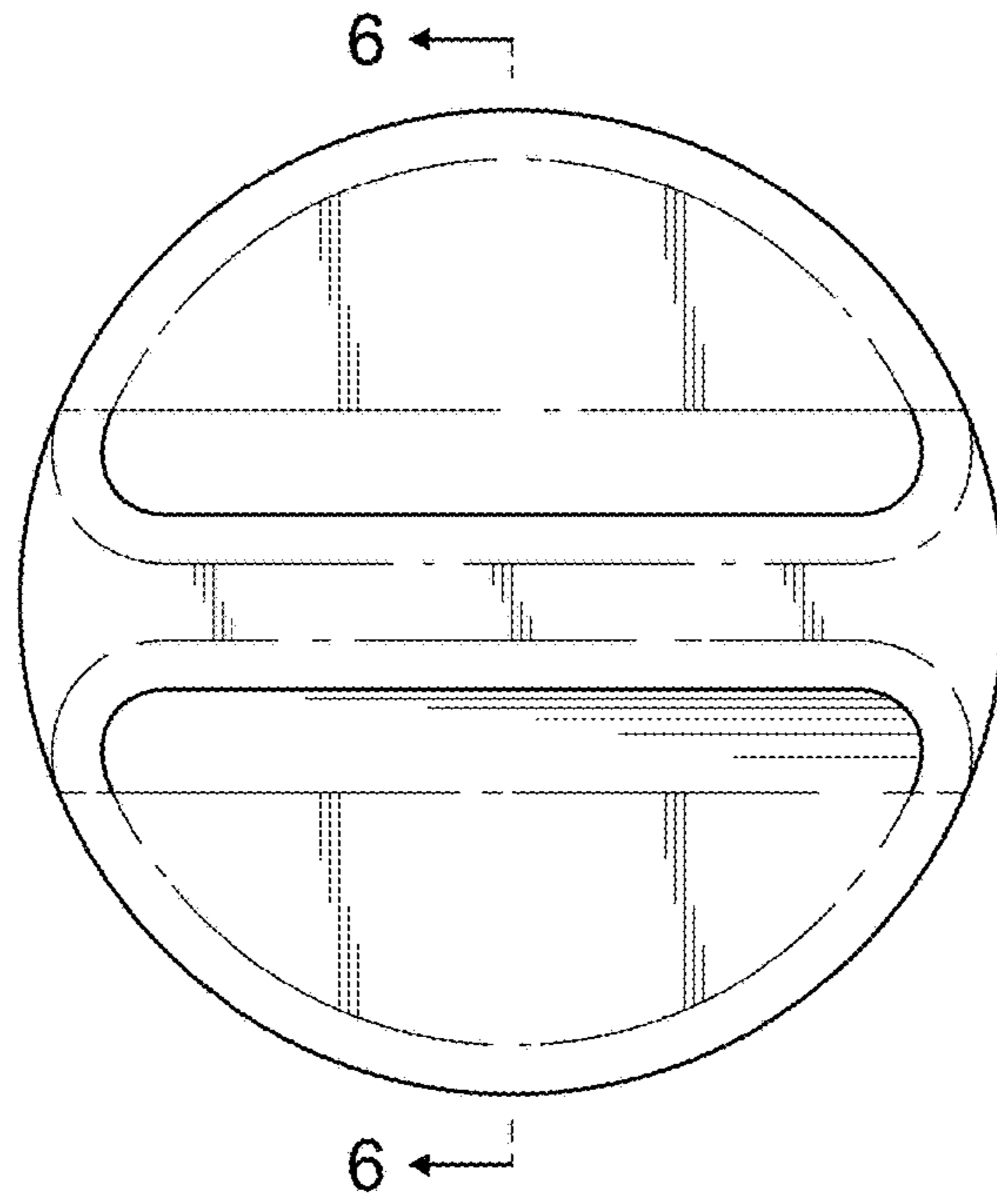


FIG. 4

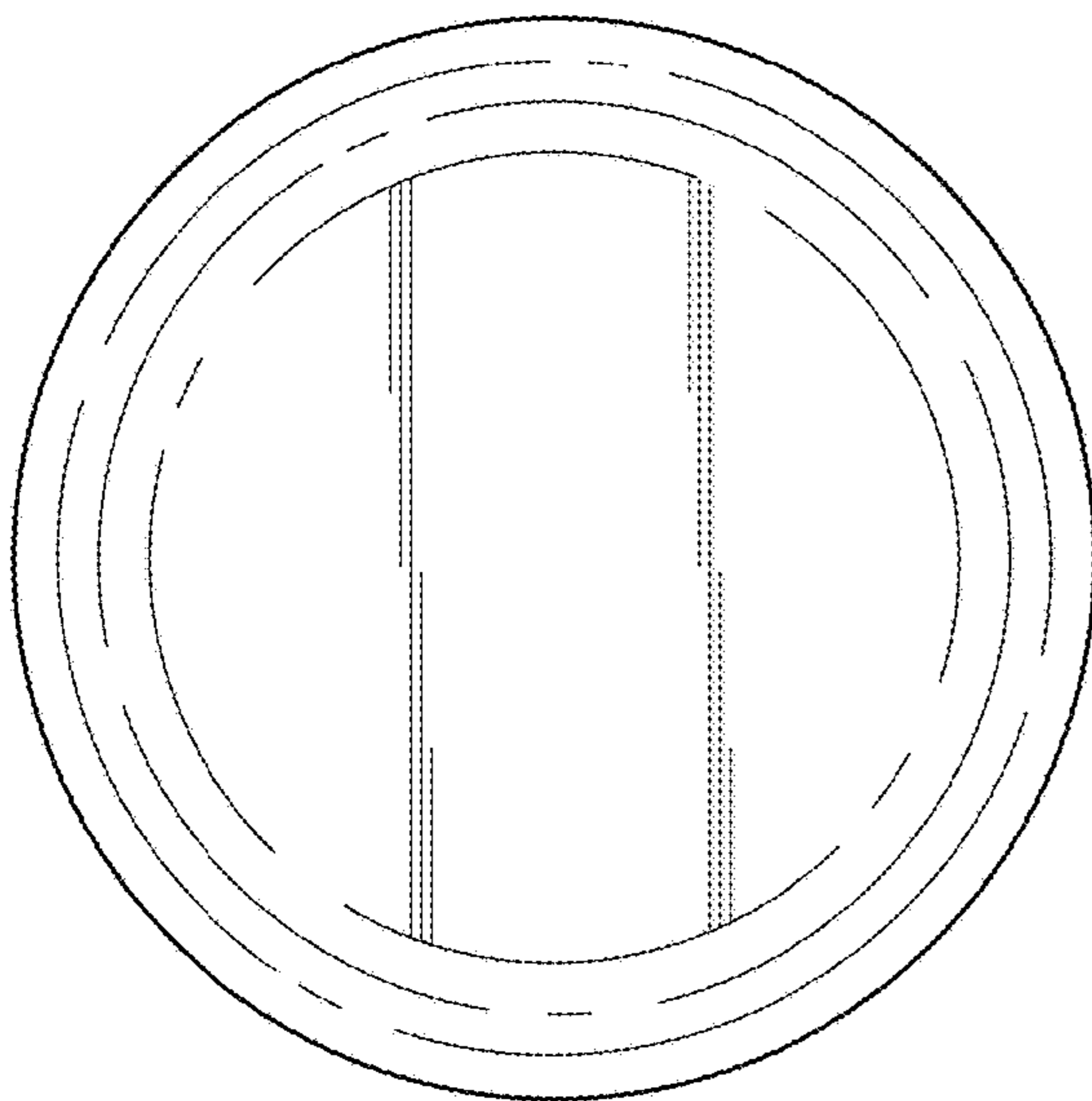


FIG. 5

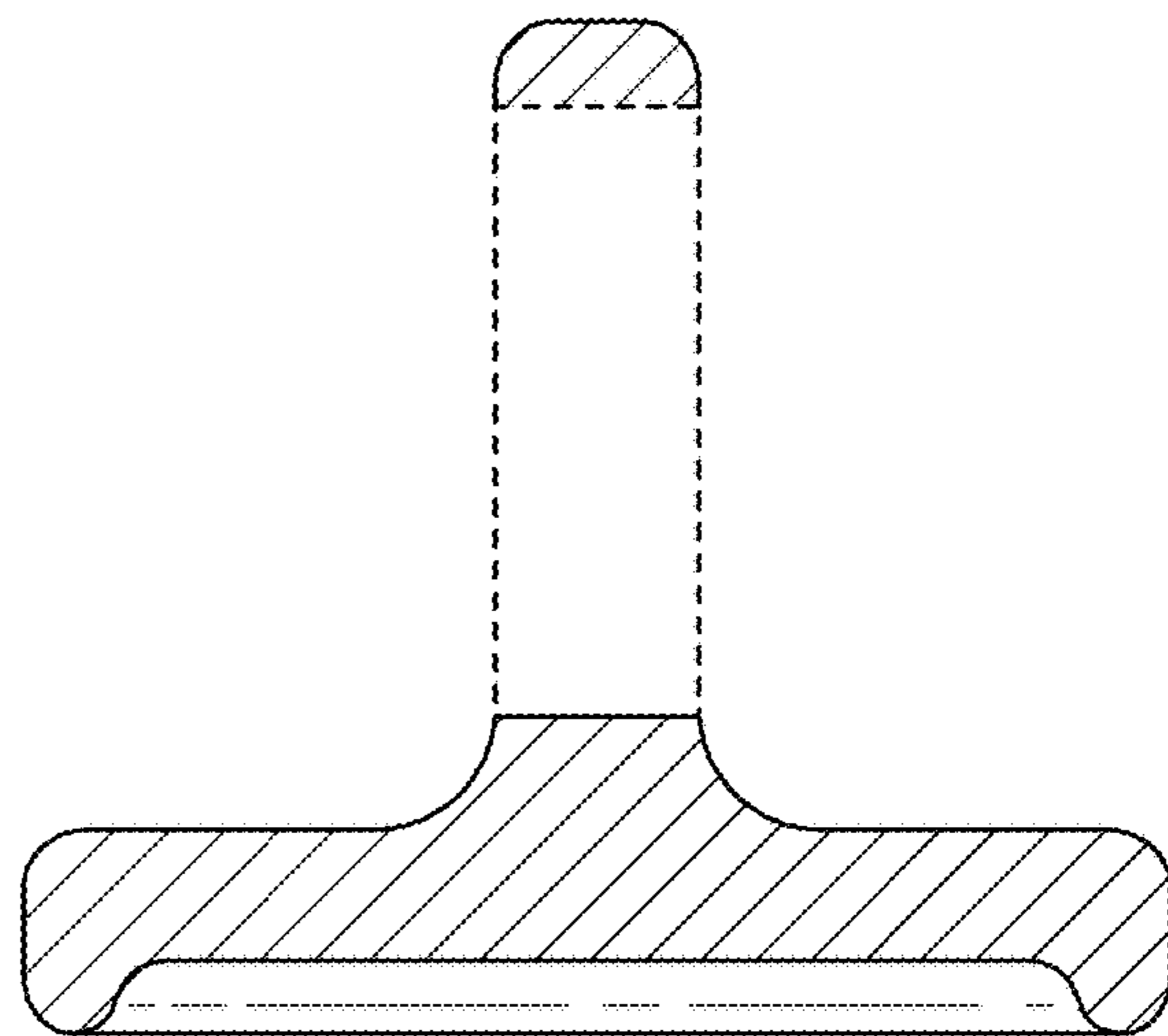


FIG. 6